



US00D853383S

(12) **United States Design Patent** (10) **Patent No.:** **US D853,383 S**
Dallmeyer et al. (45) **Date of Patent:** **** Jul. 9, 2019**

(54) **HEAD-MOUNTED DISPLAY**

(71) Applicant: **Facebook Technologies, LLC**, Menlo Park, CA (US)

(72) Inventors: **Scott Andrew Dallmeyer**, Seattle, WA (US); **Shane Michael Ellis**, Bellevue, WA (US); **Peter Wesley Bristol**, Seattle, WA (US); **Mauricio Romano**, Redmond, WA (US)

(73) Assignee: **Facebook Technologies, LLC**, Menlo Park, CA (US)

(**) Term: **15 Years**

(21) Appl. No.: **29/660,555**

(22) Filed: **Aug. 21, 2018**

Related U.S. Application Data

(62) Division of application No. 29/602,280, filed on Apr. 28, 2017, now Pat. No. Des. 834,019.

(51) **LOC (11) Cl.** **14-02**

(52) **U.S. Cl.**
USPC **D14/372**

(58) **Field of Classification Search**
USPC D14/372, 496, 432, 371, 125, 126, 129, D14/299; D16/300-342; 351/158, 153, 351/144; 345/7-9, 905; 455/344; 348/115, 53, 121, 739
CPC G02B 27/017; G02B 27/0158; G02B 27/0161; G02B 27/0181; G02B 27/0185; G02B 27/0189

See application file for complete search history.

(56) **References Cited**

U.S. PATENT DOCUMENTS

D759,654 S *	6/2016	Sullivan	D14/372
D764,466 S	8/2016	Kim et al.	
D771,627 S	11/2016	Ko	
D775,128 S	12/2016	Zellweger et al.	
D775,129 S *	12/2016	Zellweger	D14/372
D777,164 S	1/2017	Zellweger et al.	
D779,486 S	2/2017	Zellweger et al.	
D781,290 S *	3/2017	Kim	D14/372
D797,181 S *	9/2017	Seo	D16/312
D805,515 S *	12/2017	Bowes	D14/372
D806,073 S *	12/2017	Li	D14/372
D806,074 S	12/2017	Kuwahara et al.	
D810,742 S	2/2018	Robertson et al.	
D810,743 S *	2/2018	Yee	D14/372
D822,661 S *	7/2018	Robertson	D14/372
D834,019 S *	11/2018	Dallmeyer	D14/372
D835,102 S *	12/2018	Raffle	D14/372
D839,871 S *	2/2019	Wei	D14/372

* cited by examiner

Primary Examiner — Austin Murphy

(74) *Attorney, Agent, or Firm* — Fenwick & West LLP

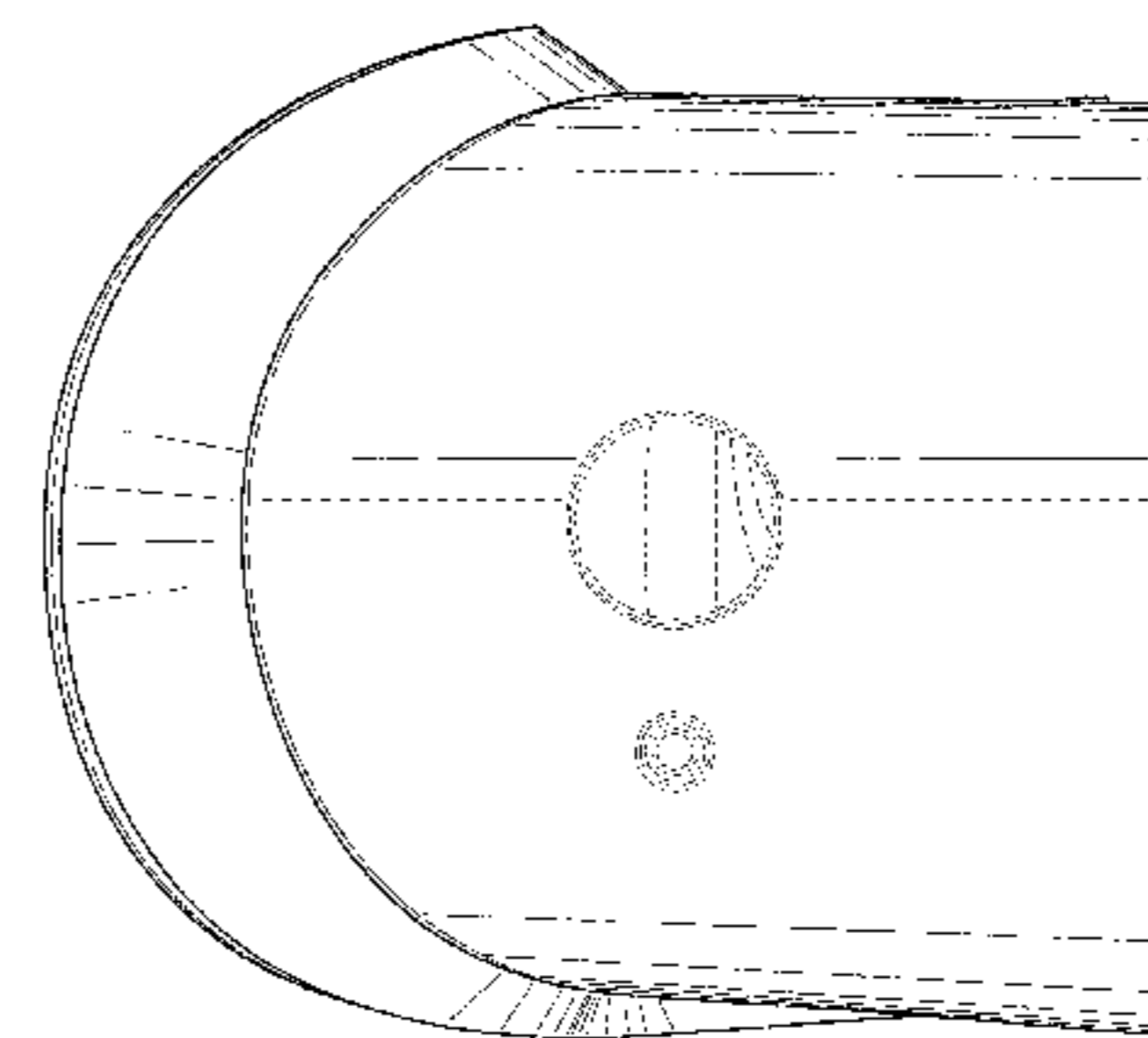
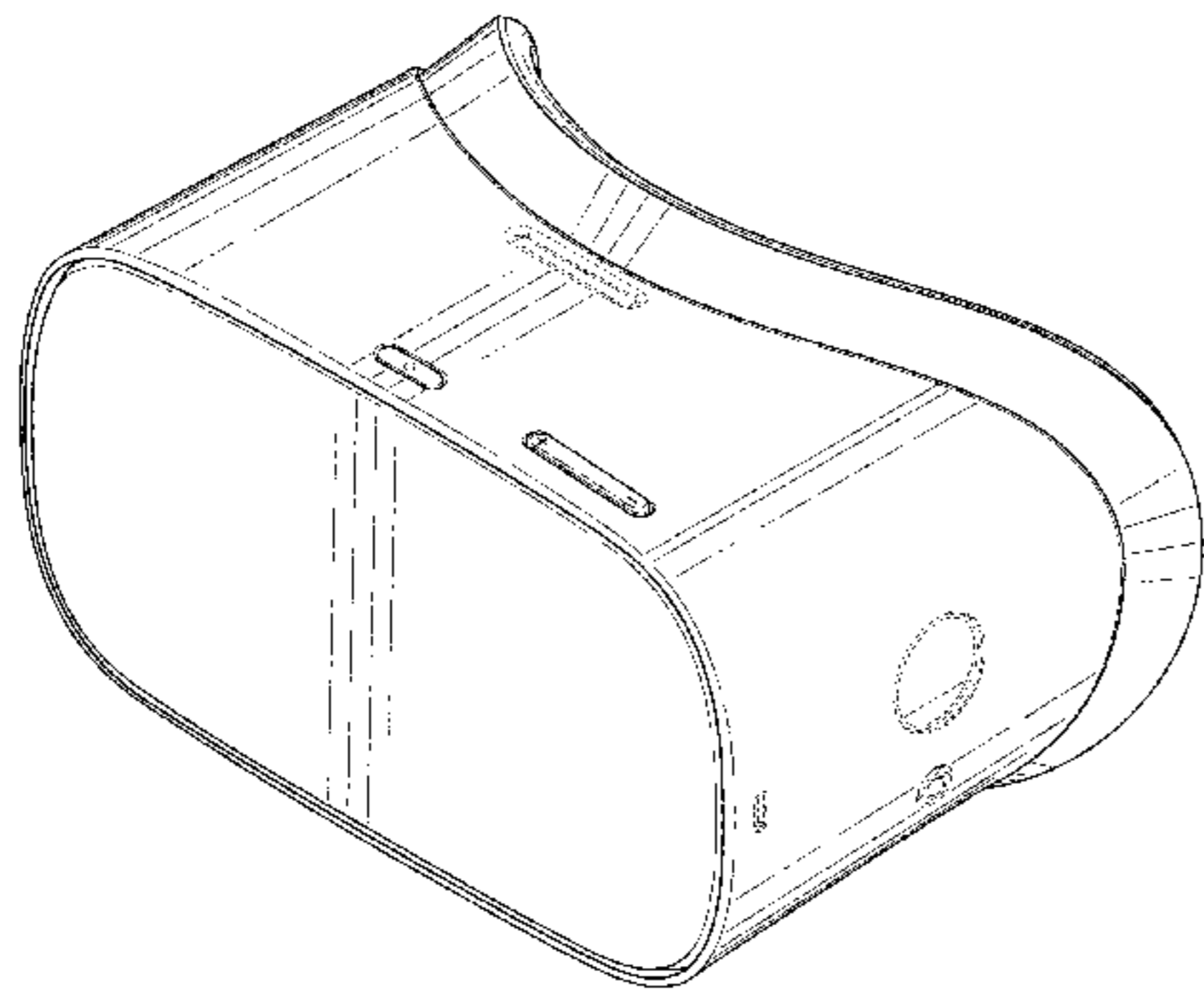
(57) **CLAIM**

The ornamental design for a head-mounted display, as shown and described.

DESCRIPTION

FIG. 1 is a perspective view of a head-mounted display; FIG. 2 is a front view thereof; FIG. 3 is a rear view thereof; FIG. 4 is a left side view thereof; FIG. 5 is a right side view thereof; FIG. 6 is a top view thereof; and, FIG. 7 is a bottom view thereof. The broken lines in the figures form no part of the claimed design.

1 Claim, 7 Drawing Sheets



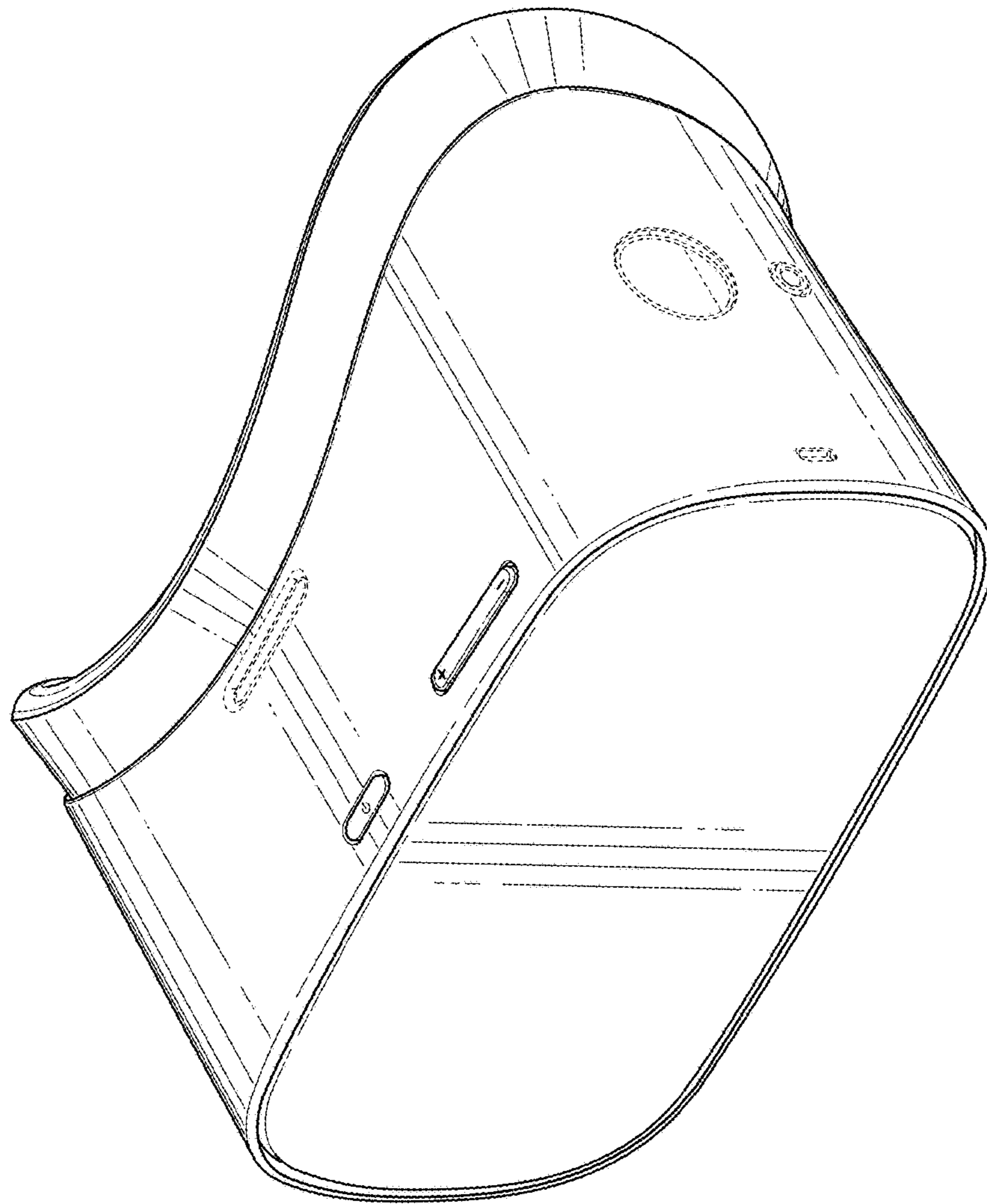


FIG. 1

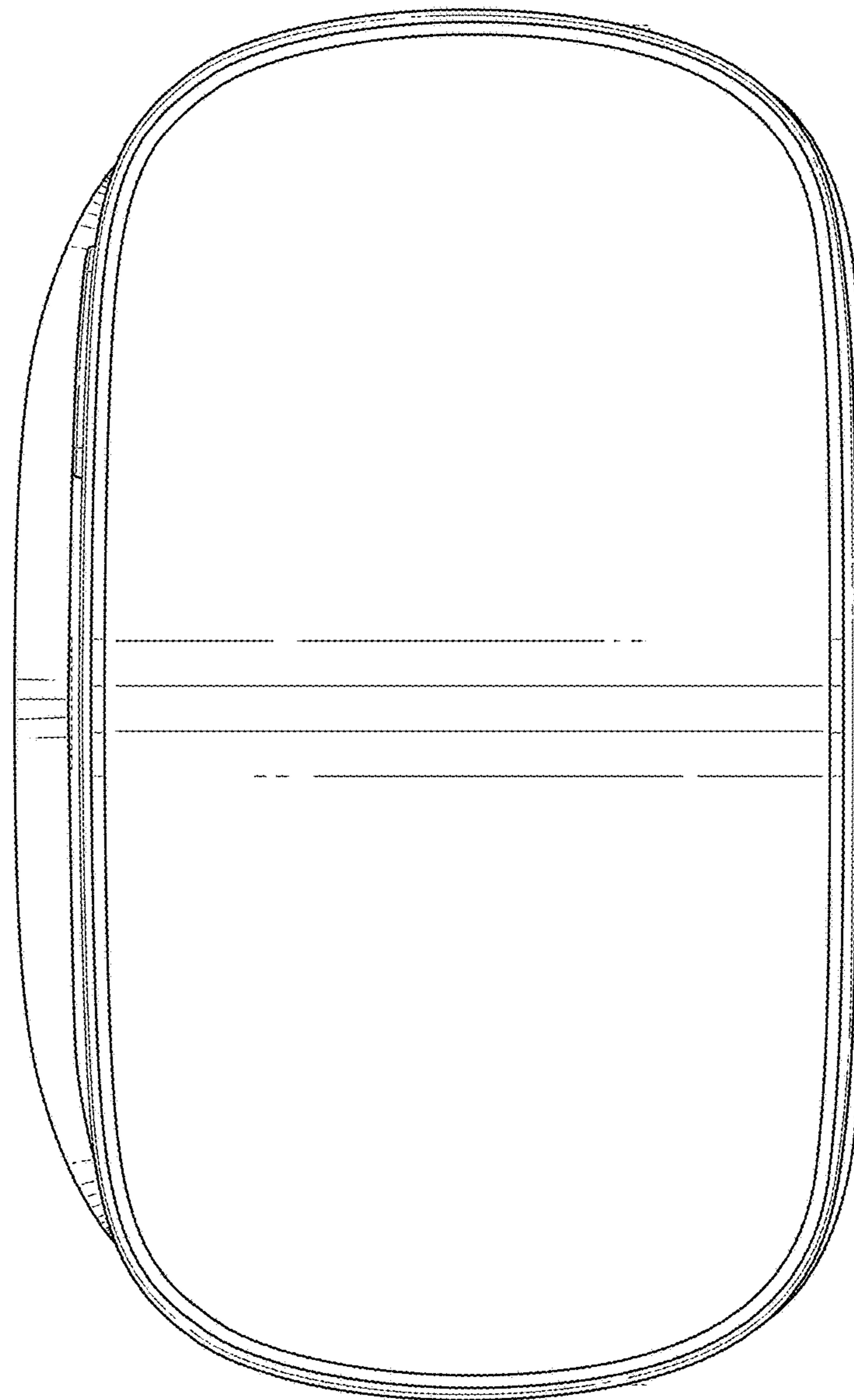


FIG. 2

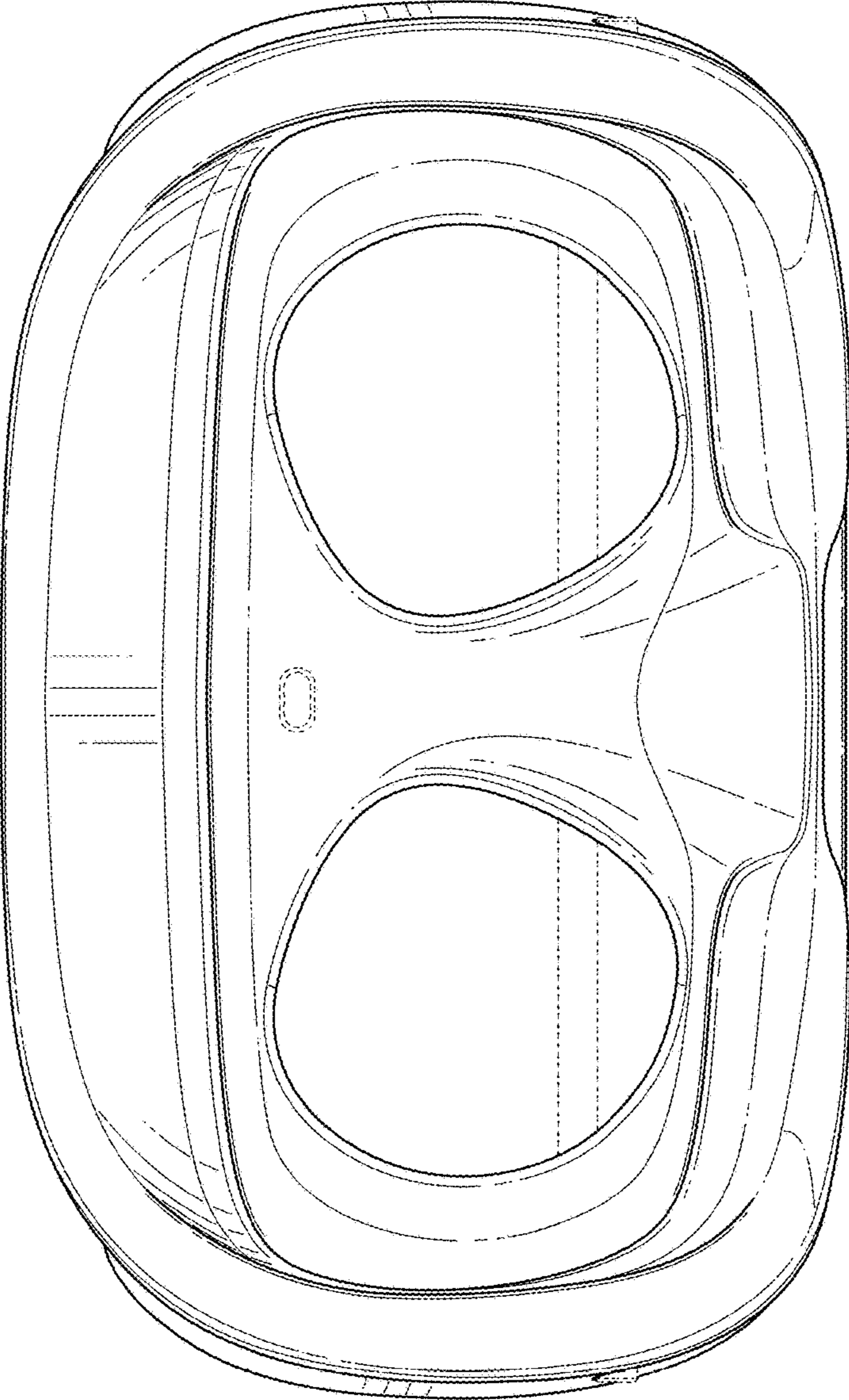


FIG. 3

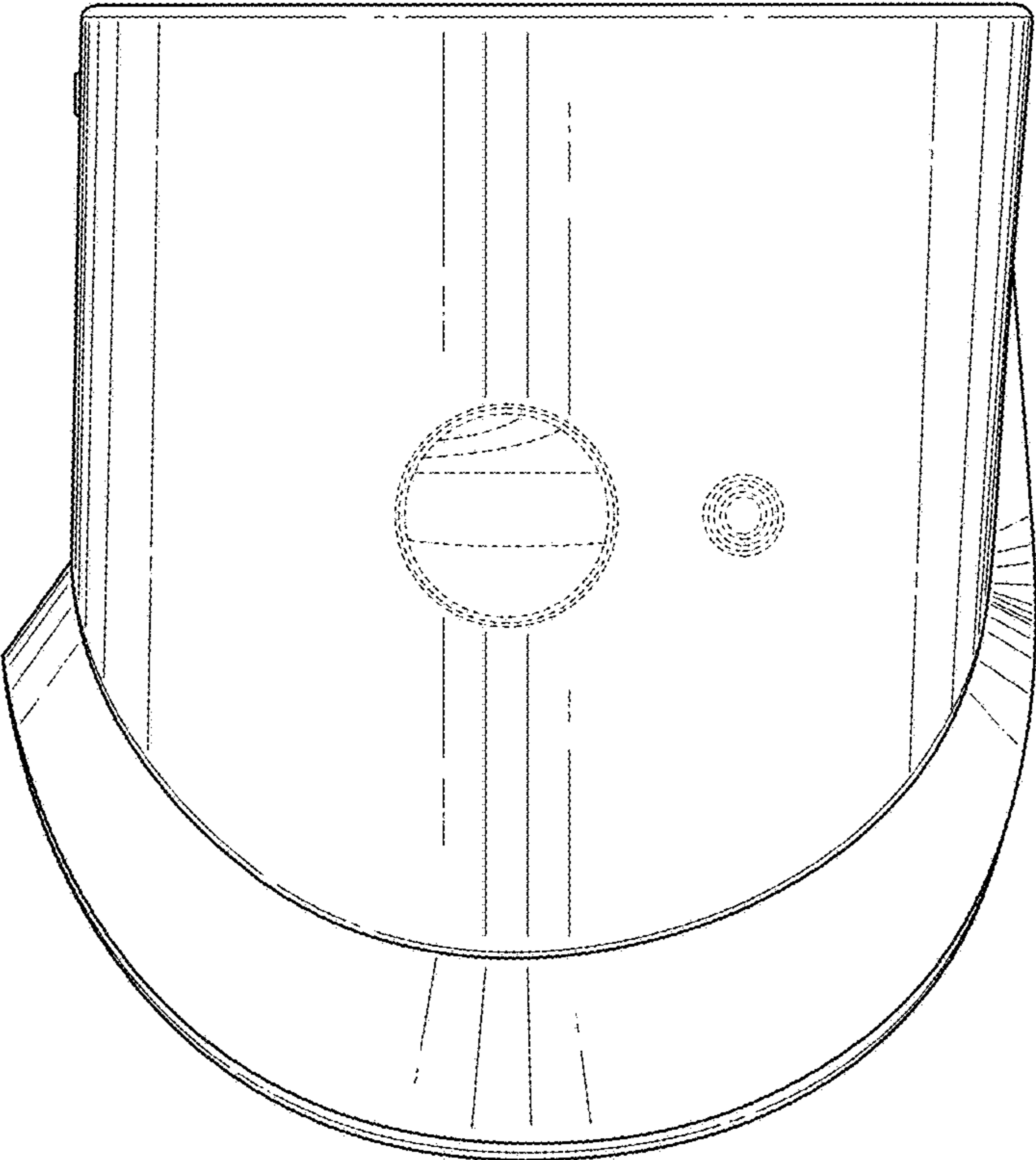


FIG. 4

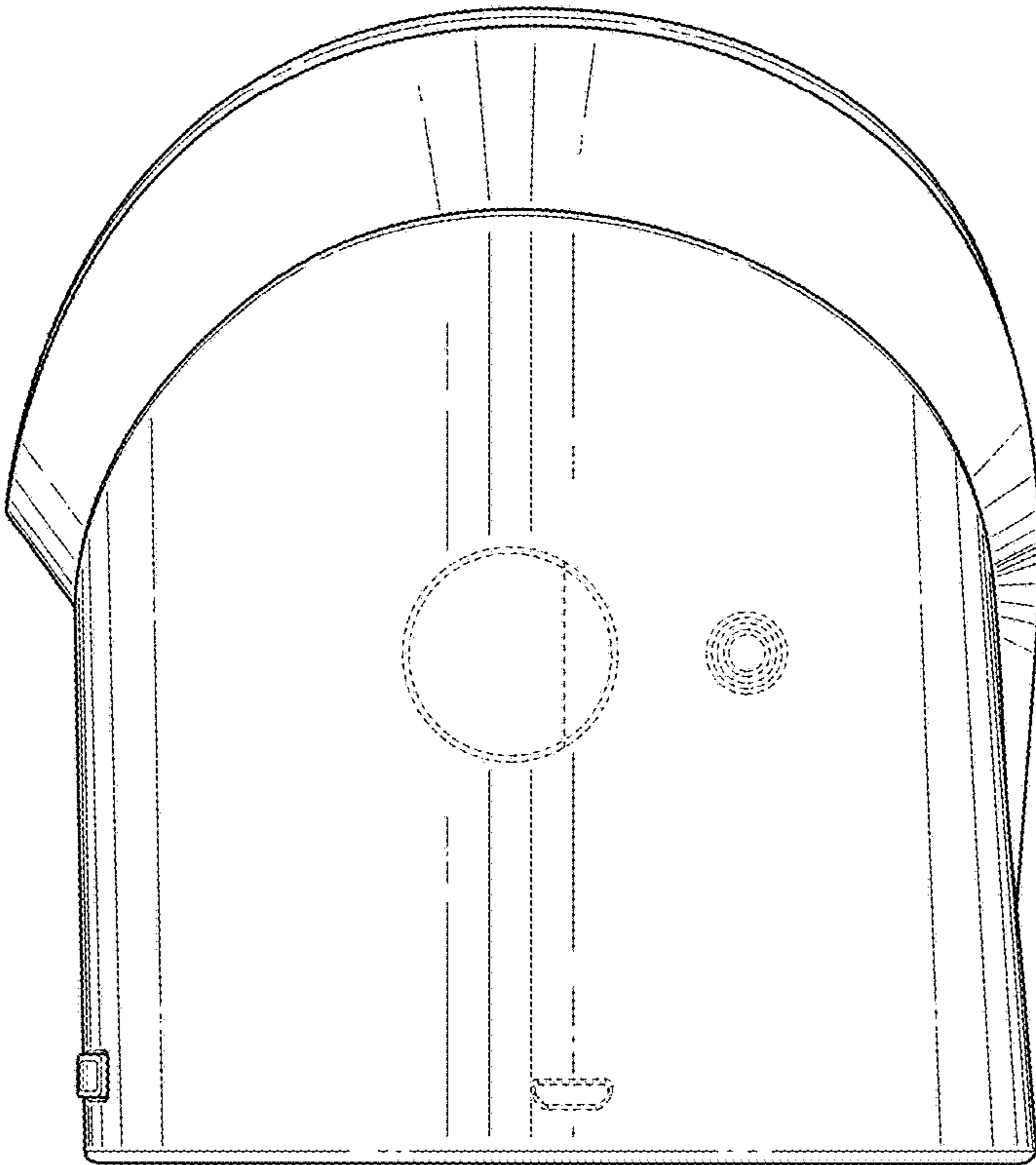


FIG. 5

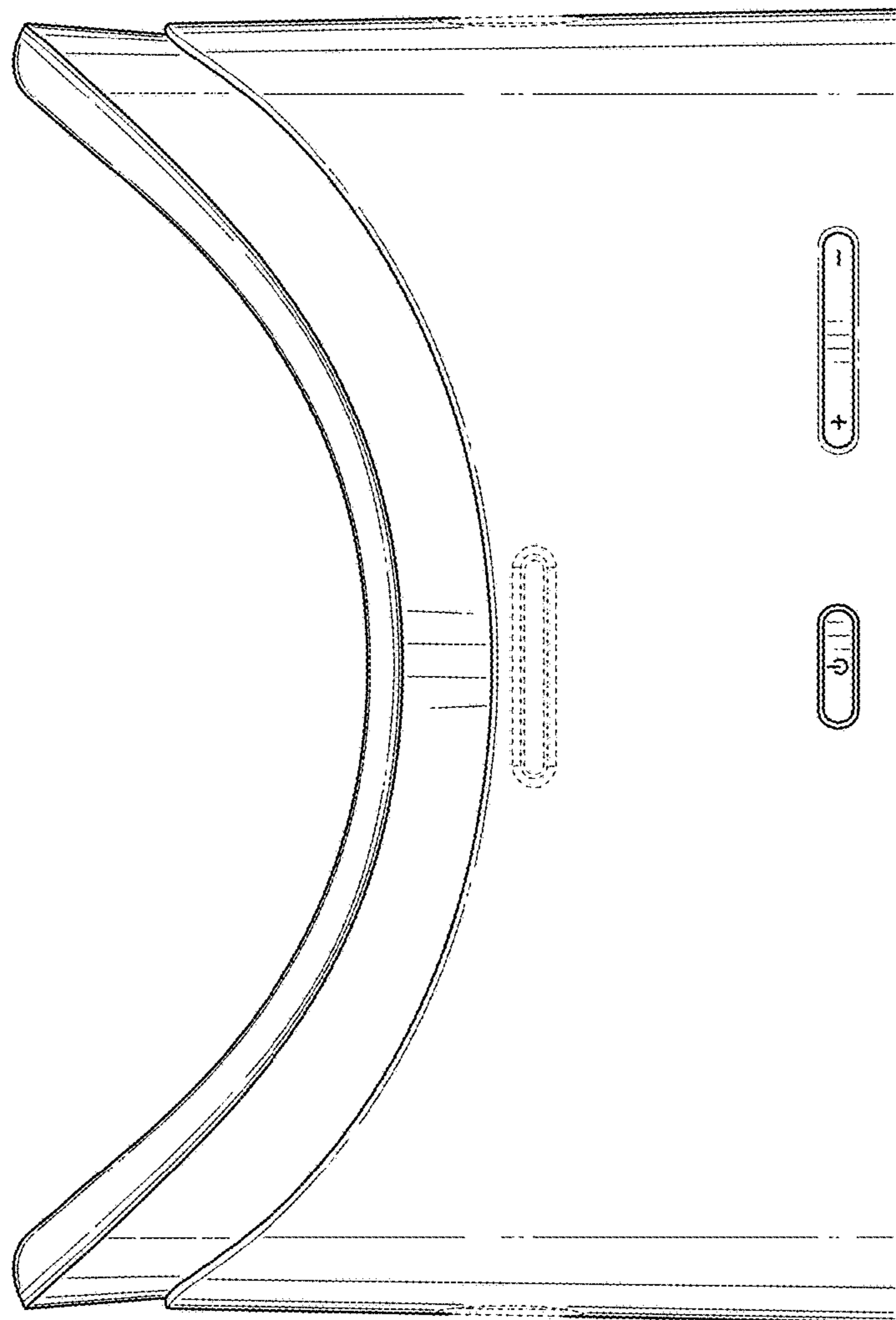


FIG. 6

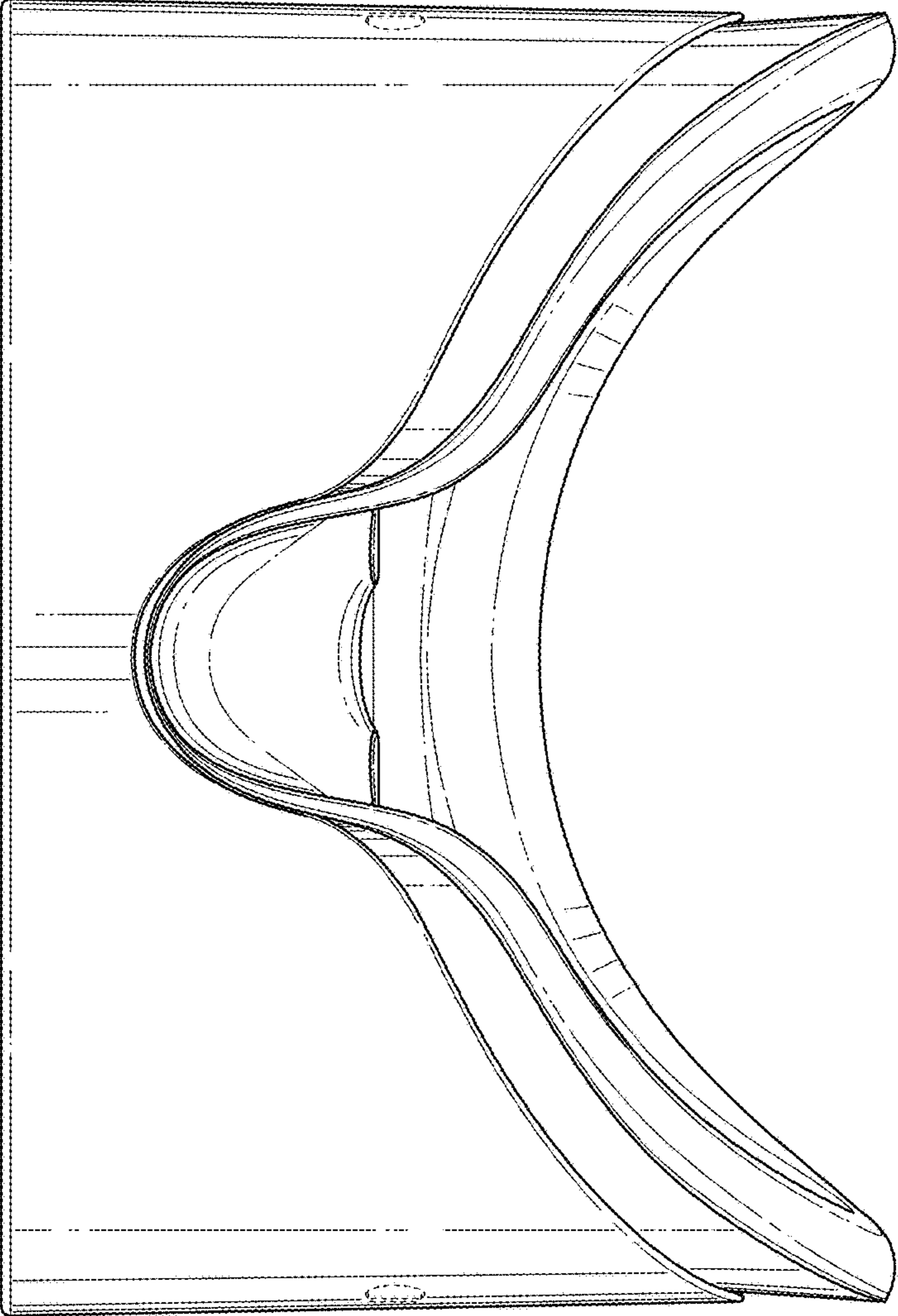


FIG. 7