



US00D853382S

(12) **United States Design Patent**
Haigh

(10) **Patent No.:** **US D853,382 S**

(45) **Date of Patent:** **** Jul. 9, 2019**

(54) **TRANSCIVER**

(71) Applicant: **Senseonics, Incorporated**,
Germantown, MD (US)

(72) Inventor: **Casey Haigh**, Germantown, MD (US)

(73) Assignee: **Senseonics, Incorporated**,
Germantown, MD (US)

(*) Notice: This patent is subject to a terminal disclaimer.

(**) Term: **15 Years**

(21) Appl. No.: **29/642,822**

(22) Filed: **Apr. 2, 2018**

Related U.S. Application Data

(63) Continuation of application No. 29/579,877, filed on Oct. 4, 2016, now Pat. No. Des. 814,463.

(51) **LOC (11) Cl.** **14-02**

(52) **U.S. Cl.**
USPC **D14/358**; D14/240; D24/169

(58) **Field of Classification Search**

USPC ... D14/137, 140, 155, 168, 188, 195, 203.1, D14/203.3, 203.6, 203.7, 203.8, 204, 209, D14/209.1, 216, 240, 242, 299, 300, 302, D14/348, 356, 357, 358, 363, 365, 370, D14/388, 432, 434, 496; D13/103, 152, D13/158, 162, 162.1, 163, 168, 184, 199; D10/61, 104.1, 106.2, 106.3, 106.5, D10/106.6, 106.9, 106.91, 116.1; D24/140, 231, 232, 107, 169, 186
CPC ... H04W 88/08; H04W 88/085; H04W 88/00; H04W 88/005; H04W 88/02; H04W 88/12; H04W 88/14; H04W 88/16; H04W 88/18; H04W 4/00; H01Q 1/02; H01Q 1/2291; H01Q 1/246; H04B 1/38
See application file for complete search history.

(56) **References Cited**

U.S. PATENT DOCUMENTS

D346,598 S	5/1994	McCay et al.
D585,395 S	1/2009	Cho et al.
D640,692 S	6/2011	Waisman-Diamond
D704,581 S	5/2014	Ho et al.
D719,153 S	12/2014	Lim et al.
D722,697 S	2/2015	Moon et al.
D726,924 S	4/2015	Tseng et al.
D729,939 S	5/2015	Moon et al.
D758,589 S	6/2016	Meguro et al.
D777,331 S	1/2017	Jayalath et al.
D780,928 S	3/2017	Hayakawa
D783,552 S	4/2017	Hogan

(Continued)

FOREIGN PATENT DOCUMENTS

TW D164532 S 12/2014

Primary Examiner — Jeffrey D Asch

Assistant Examiner — Rebekah A Caruso

(74) *Attorney, Agent, or Firm* — Rothwell, Figg, Ernst & Manbeck, P.C.

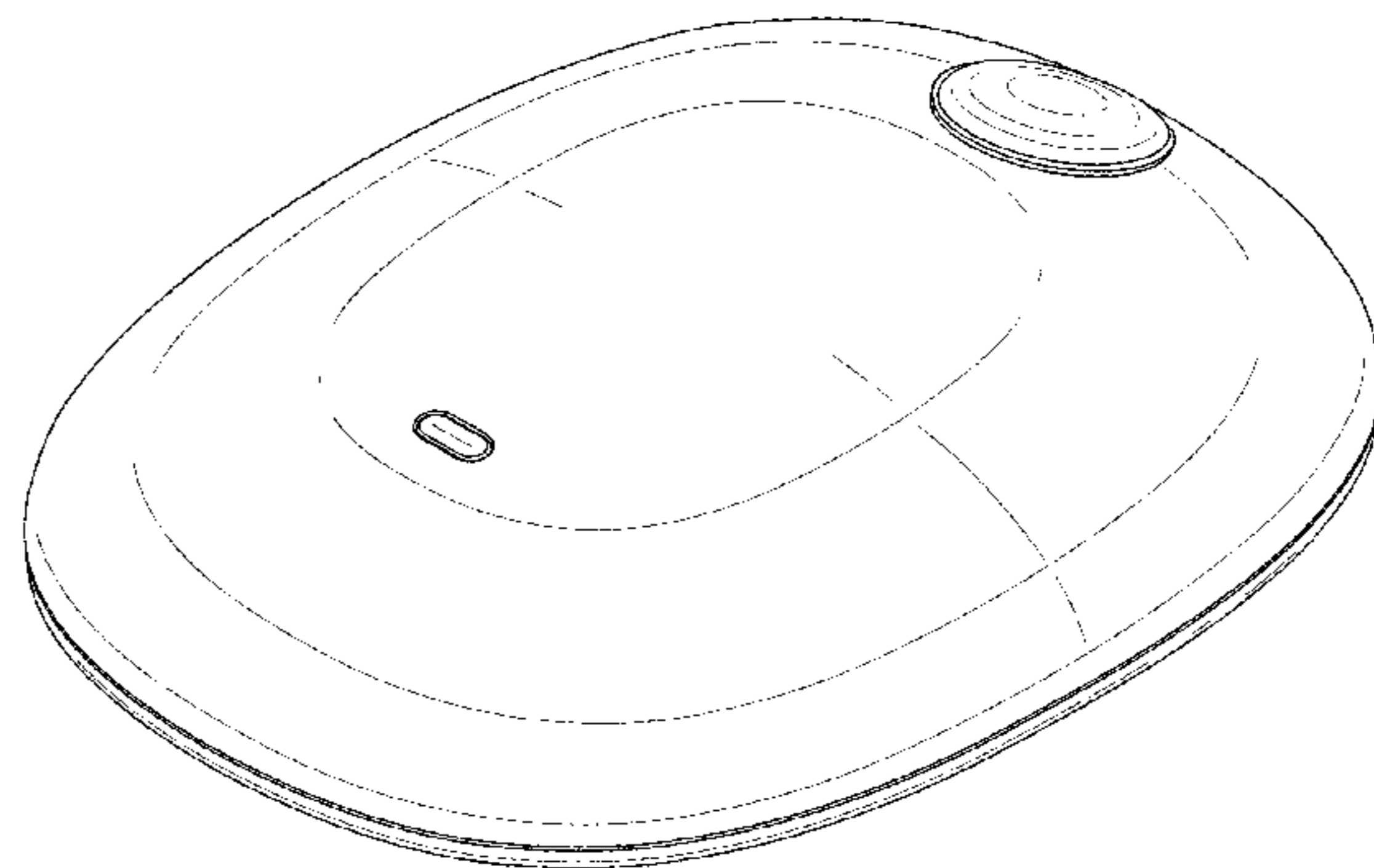
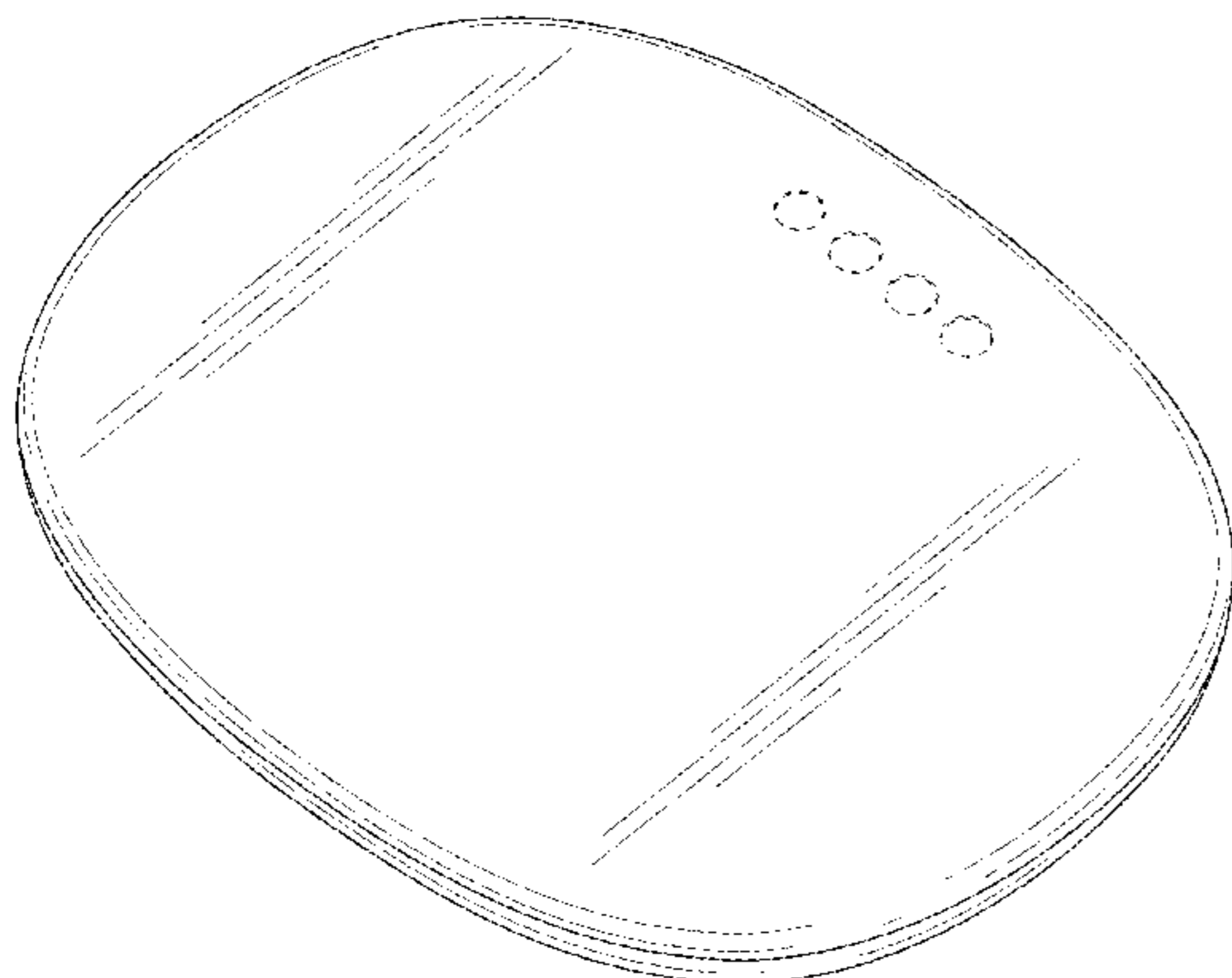
(57) **CLAIM**

The ornamental design for a transceiver, as shown and described.

DESCRIPTION

FIG. 1 is a perspective view of the bottom, rear, and right side of the transceiver;
FIG. 2 is a perspective view of the top, front, and left side of the transceiver;
FIG. 3 is a rear view of the transceiver;
FIG. 4 is a front view of the transceiver;
FIG. 5 is a left side view of the transceiver;
FIG. 6 is a right side view of the transceiver;
FIG. 7 is a top view of the transceiver; and,
FIG. 8 is a bottom view of the transceiver.
The portions of the transceiver shown in broken lines form no part of the claimed design.

1 Claim, 8 Drawing Sheets



(56)

References Cited

U.S. PATENT DOCUMENTS

D787,463 S 5/2017 Maxwell et al.
D795,853 S 8/2017 Ngo et al.

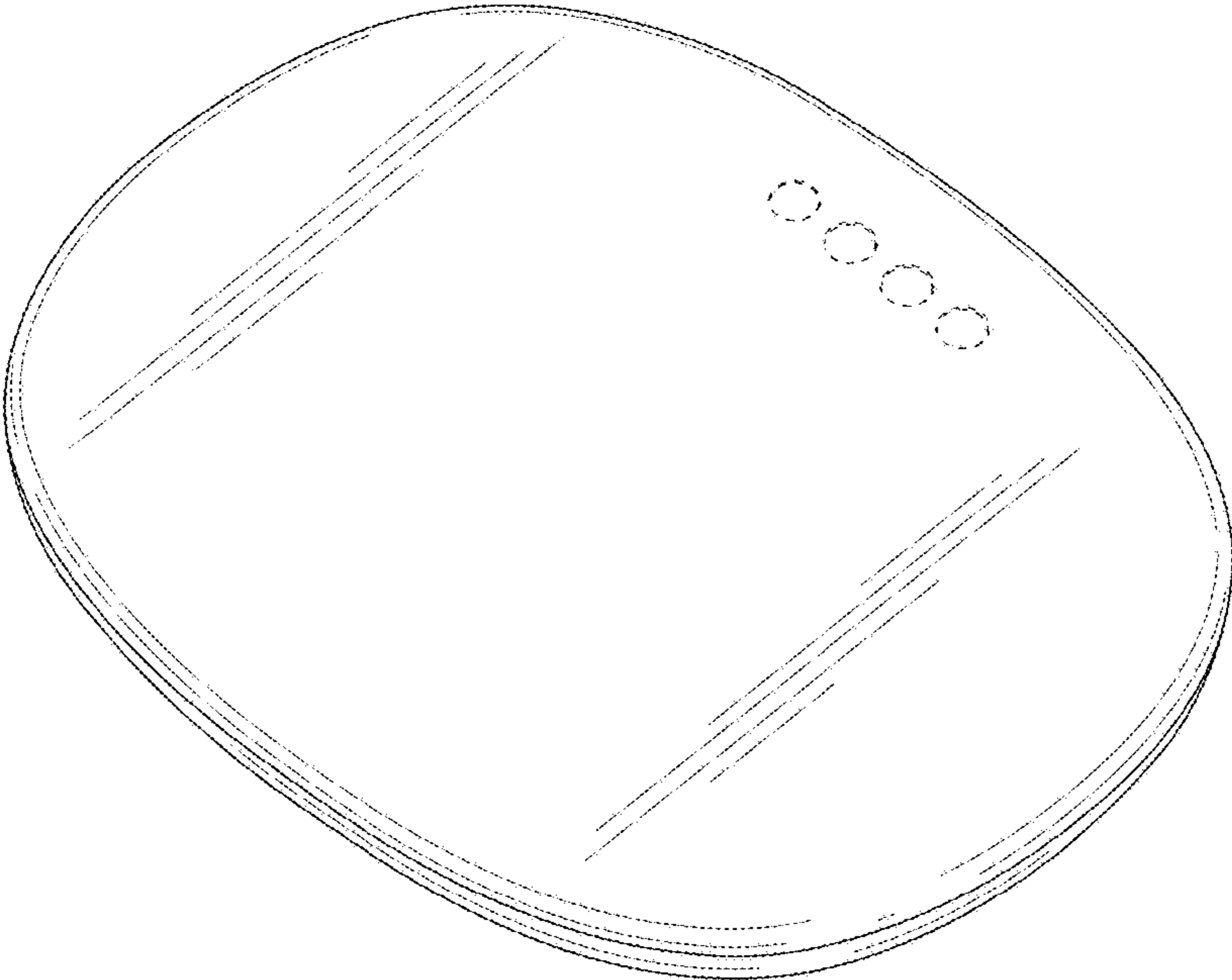


FIG. 1

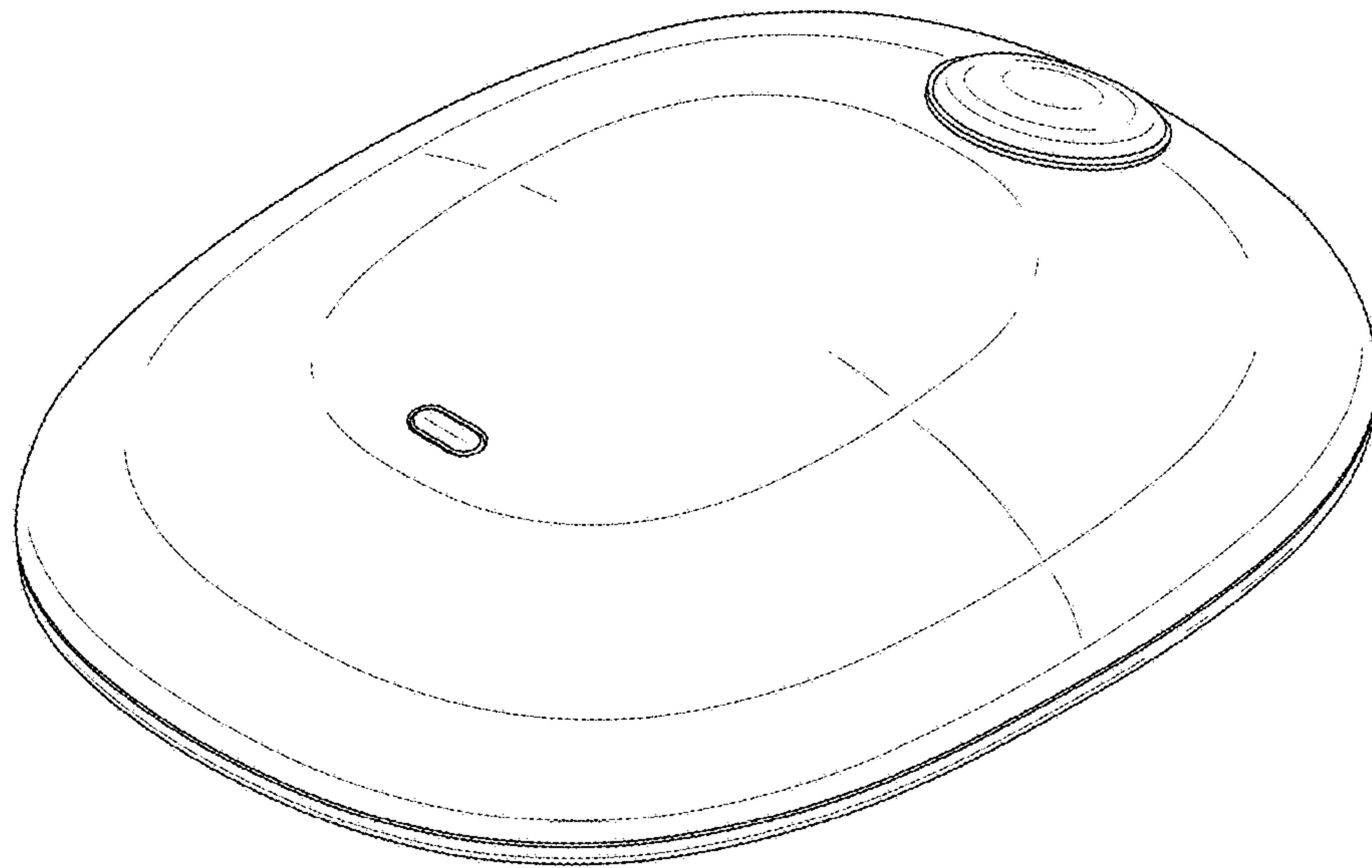


FIG. 2

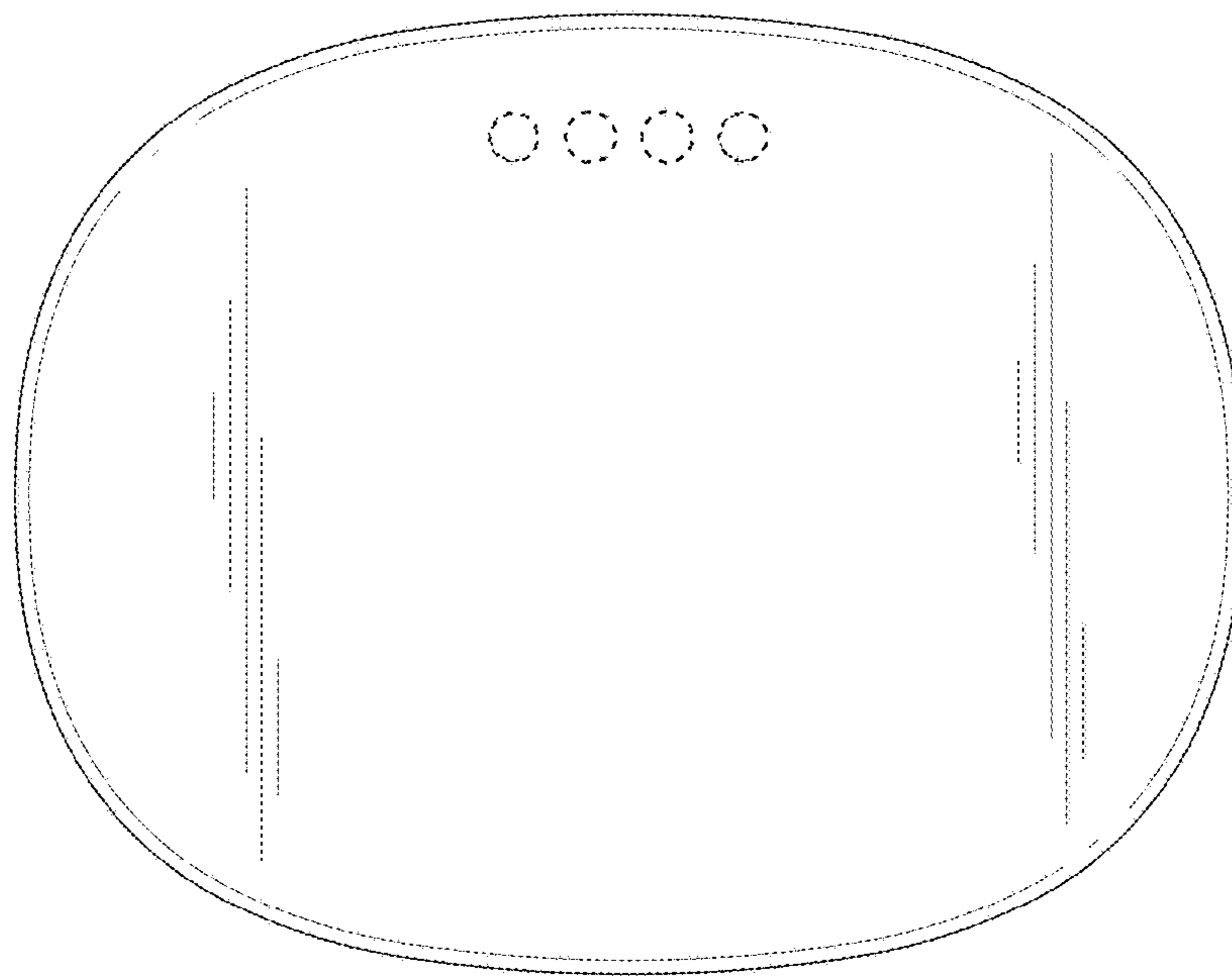


FIG. 3

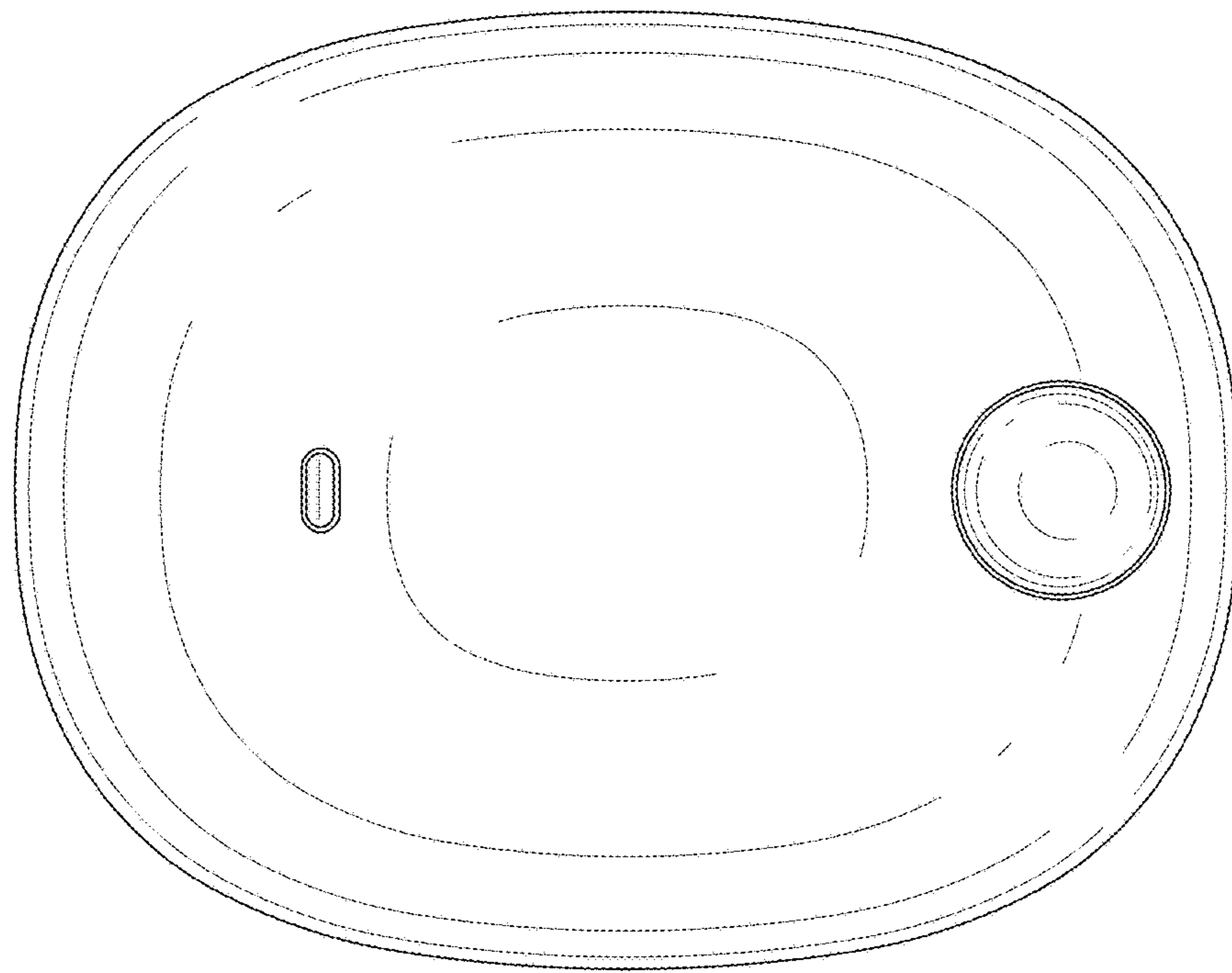


FIG. 4

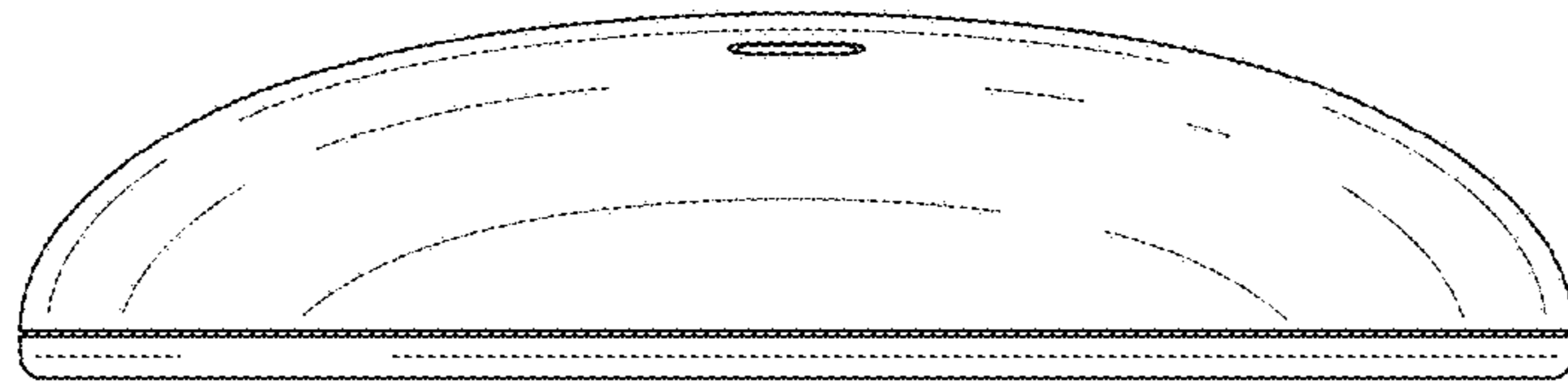


FIG. 5

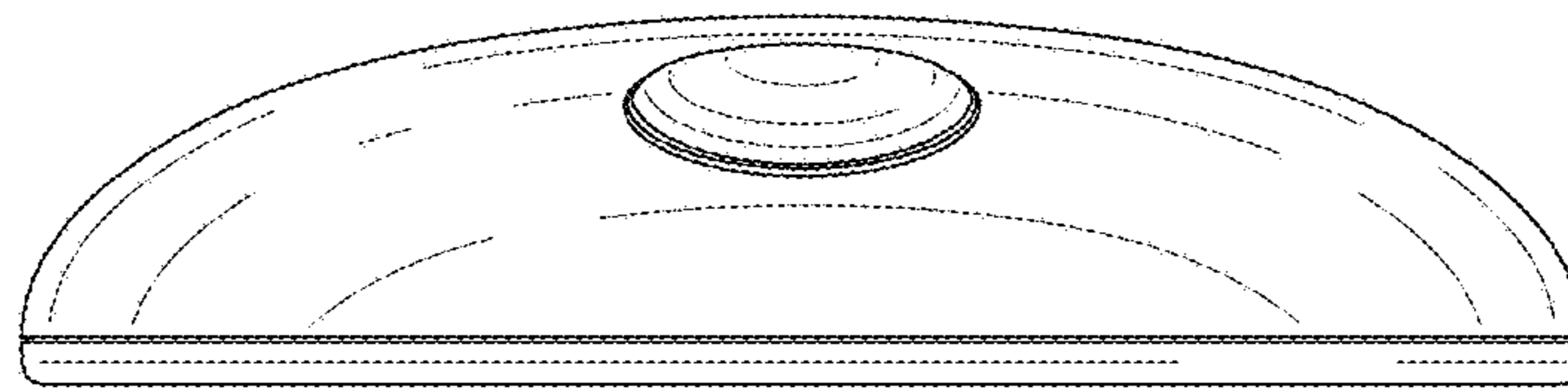


FIG. 6

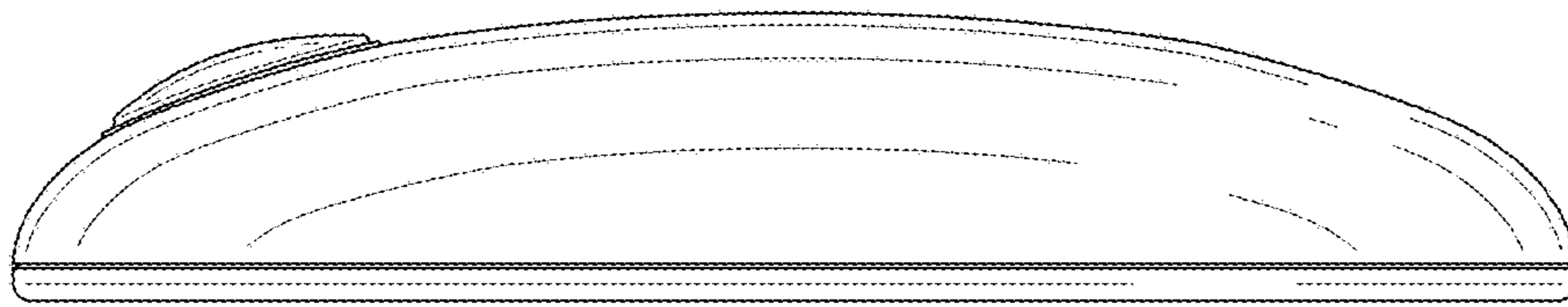


FIG. 7

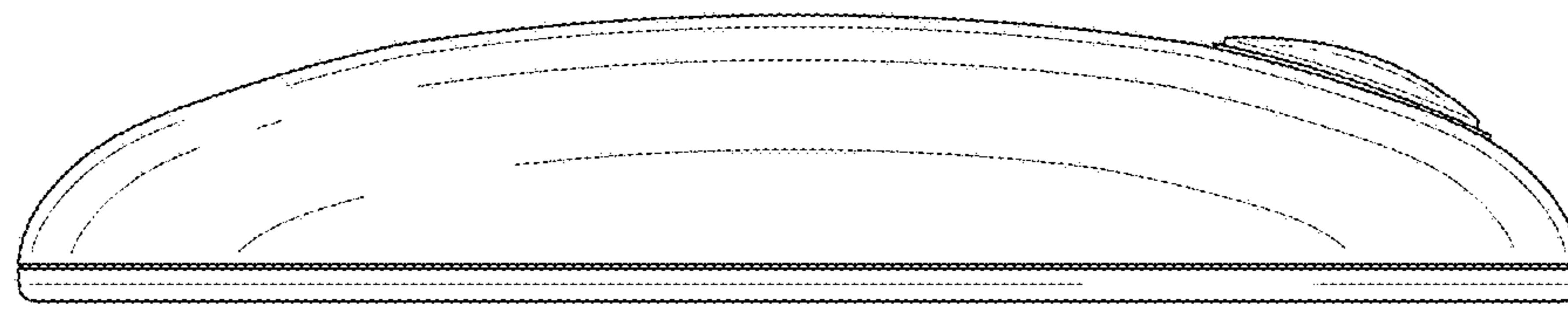


FIG. 8