



US00D853380S

(12) **United States Design Patent**  
**Ranade**

(10) **Patent No.:** **US D853,380 S**

(45) **Date of Patent:** **\*\* Jul. 9, 2019**

(54) **WEARABLE DEVICE**

(71) Applicant: **Intel Corporation**, Santa Clara, CA  
(US)

(72) Inventor: **Amruta Ranade**, Bangalore (IN)

(73) Assignee: **Intel Corporation**, Santa Clara, CA  
(US)

(\*\*) Term: **15 Years**

(21) Appl. No.: **29/597,555**

(22) Filed: **Mar. 17, 2017**

(51) **LOC (11) Cl.** ..... **14-02**

(52) **U.S. Cl.**  
USPC ..... **D14/344**

(58) **Field of Classification Search**  
USPC ..... D14/344, 138 R, 144, 341, 358, 432;  
D10/30-39, 70, 98; D11/3, 93-94;  
(Continued)

(56) **References Cited**

**U.S. PATENT DOCUMENTS**

200,063 A \* 2/1878 Jackson ..... A41D 1/04  
2/92  
3,261,042 A \* 7/1966 Baker ..... B63C 9/115  
2/102

(Continued)

**OTHER PUBLICATIONS**

MSI's Backpack PC looks like a mini jetpack but it's designed for VR gaming, posted May 30, 2016, [retrieved Mar. 3, 2018]. Retrieved from Internet, <URL: <http://www.soyacinau.com/2016/05/30/msis-backpack-pc-looks-like-a-mini-jetpack-but-its-designed-for-vr-gaming/>>.\*

(Continued)

*Primary Examiner* — Barbara Fox

*Assistant Examiner* — Kristin E Reed

(74) *Attorney, Agent, or Firm* — Schwegman Lundberg & Woessner, P.A.

(57) **CLAIM**

The ornamental design for a wearable device, as shown and described.

**DESCRIPTION**

FIG. 1 is a back-left-perspective view of a first embodiment of a wearable device;

FIG. 2 is a back view thereof;

FIG. 3 is a front view thereof;

FIG. 4 is a left-side view thereof;

FIG. 5 is a right-side view thereof;

FIG. 6 is a top view thereof;

FIG. 7 is a bottom view thereof;

FIG. 8 is a back-left perspective view thereof, in an alternate operating condition with a computing component of the wearable device shown removed from a frame of the device;

FIG. 9 is a left-side view thereof;

FIG. 10 is a top-right-perspective view of the computing component of the wearable device shown isolated from the wearable portion of the wearable device;

FIG. 11 is a top view thereof;

FIG. 12 is a bottom view thereof;

FIG. 13 is a right-side view thereof;

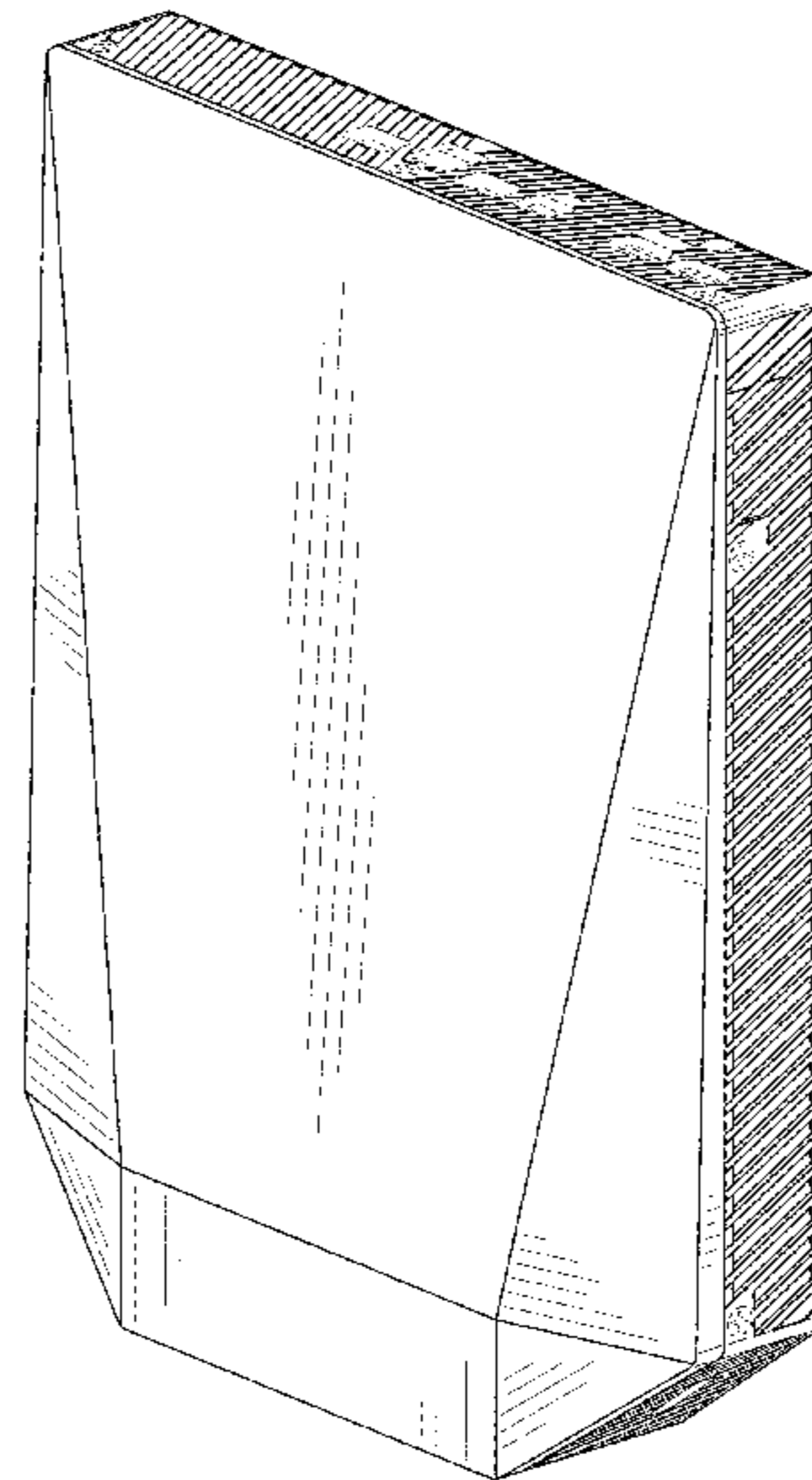
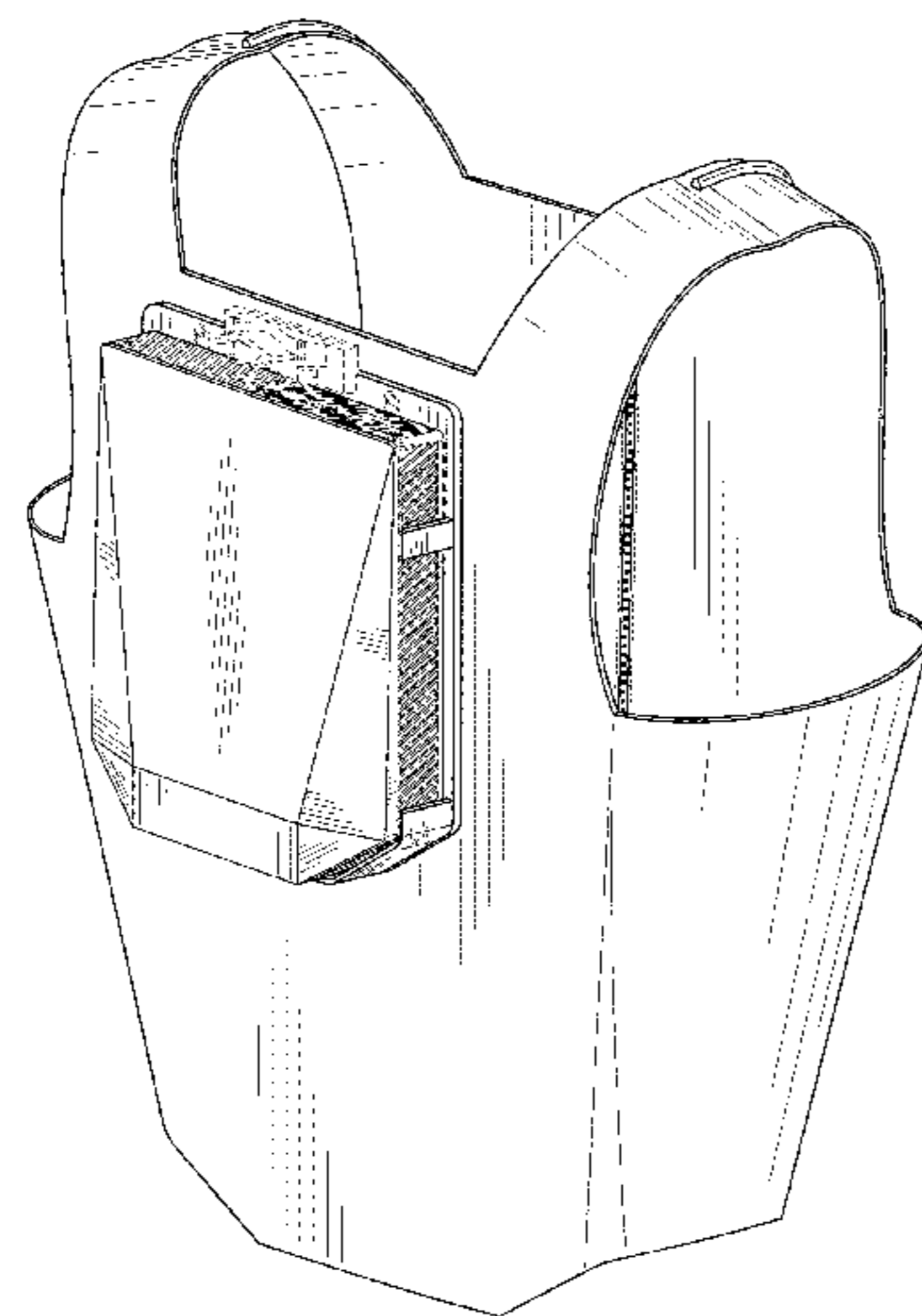
FIG. 14 is a left-side view thereof;

FIG. 15 is a back view thereof; and,

FIG. 16 is a front view thereof.

The dot-dash broken lines define the bounds of the claimed design. The dot-dot broken lines depict portions of the wearable device. The broken lines form no part of the claimed design. It is to be understood that, in the case of dot-dash boundary lines, the claimed design extends to but does not include the defined boundary.

**1 Claim, 13 Drawing Sheets**



(58) **Field of Classification Search**

USPC ..... D24/167, 169, 186–187; 361/679.03;  
 379/433.1  
 CPC .. A41D 1/002; G06F 1/04; G06F 1/08; G06F  
 1/10; G06F 1/14; G06F 1/1626; G06F  
 1/1628; G06F 1/163; G06F 1/1635; G06F  
 1/3203; G06Q 20/10; G06Q 20/12; G06Q  
 20/108; G06Q 20/145; H04B 1/3833;  
 H04B 1/385; H04B 1/3888; H04M 1/02;  
 H04M 1/03; H04M 1/04; H04M 1/05;  
 H04M 1/667; H04M 1/6058; Y02B  
 60/1217

See application file for complete search history.

D682,266	S *	5/2013	Wu	.....	D14/240
D692,082	S *	10/2013	Lee	.....	D21/805
8,814,020	B2 *	8/2014	Yaeger	.....	A45F 3/06 224/627
D717,284	S *	11/2014	Kurosawa	.....	D14/240
D722,430	S *	2/2015	Sagan	.....	D3/216
D733,969	S *	7/2015	Kun	.....	D29/101.4
D737,816	S *	9/2015	Loor Canizares	.....	D14/341
D757,697	S *	5/2016	Dubrulle	.....	D14/240
D764,147	S *	8/2016	Zhou	.....	D2/829
D774,023	S *	12/2016	Fariello	.....	D14/230
D780,177	S *	2/2017	Heck	.....	D14/344
D784,005	S *	4/2017	Zheng	.....	D3/216
D794,803	S *	8/2017	Thom	.....	D24/169
D803,824	S *	11/2017	Zhou	.....	D14/314
D810,733	S *	2/2018	Kwak	.....	D14/344

(56) **References Cited**

U.S. PATENT DOCUMENTS

D234,943	S *	4/1975	Le Marquand	.....	D10/39
D323,909	S *	2/1992	Dewall	.....	D29/101.1
D356,883	S *	4/1995	Ganahl	.....	D2/828
D372,024	S *	7/1996	Carlson, Jr.	.....	D14/432
D375,581	S *	11/1996	Dyer	.....	D29/101.1
D387,189	S *	12/1997	Woollett	.....	D2/700
D402,788	S *	12/1998	Blankenship, Jr.	.....	D2/829
D417,443	S *	12/1999	Geiszler	.....	D14/432
D426,051	S *	6/2000	Bugel	.....	D2/829
D480,390	S *	10/2003	Miao	.....	D14/240
D548,401	S *	8/2007	Tinao	.....	D29/101.4
D602,205	S *	10/2009	Thomas	.....	D29/101.4
7,886,368	B2 *	2/2011	Hood	.....	A41D 1/002 2/102
D660,584	S *	5/2012	Cross	.....	D3/216
8,353,065	B1 *	1/2013	Crye	.....	F41H 1/02 2/102

OTHER PUBLICATIONS

The HP Z VR: The VR backpack for business, posted Aug. 1, 2017, [retrieved Mar. 3, 2018]. Retrieved from Internet, <URL: <https://www.techspot.com/news/70386-hp-z-vr-vr-backpack-business.html> >.\*

Mobile Edge AWV17BP-2.0 Alienware Vindicator Backpack, posted Oct. 14, 2017, [retrieved Mar. 3, 2018]. Retrieved from Internet, <URL: <https://www.amazon.com/Mobile-Edge-AWV17BP-2-0-Alienware-Vindicator/dp/B01MS3H5P6> >.\*

VR backpack PC designed with Intel, posted Aug. 9, 2016, [retrieved Mar. 3, 2018]. Retrieved from Internet, <URL: <http://www.globalsources.com/gsol/I/VR-backpack/a/9000000140194.htm> >.\*

SecPro Basic Tactical Assault Vest—Level, posted unknown, [retrieved Mar. 3, 2018]. Retrieved from Internet, <URL: [http://secprousa.com/tactical-vests?product\\_id=80](http://secprousa.com/tactical-vests?product_id=80) >.\*

\* cited by examiner

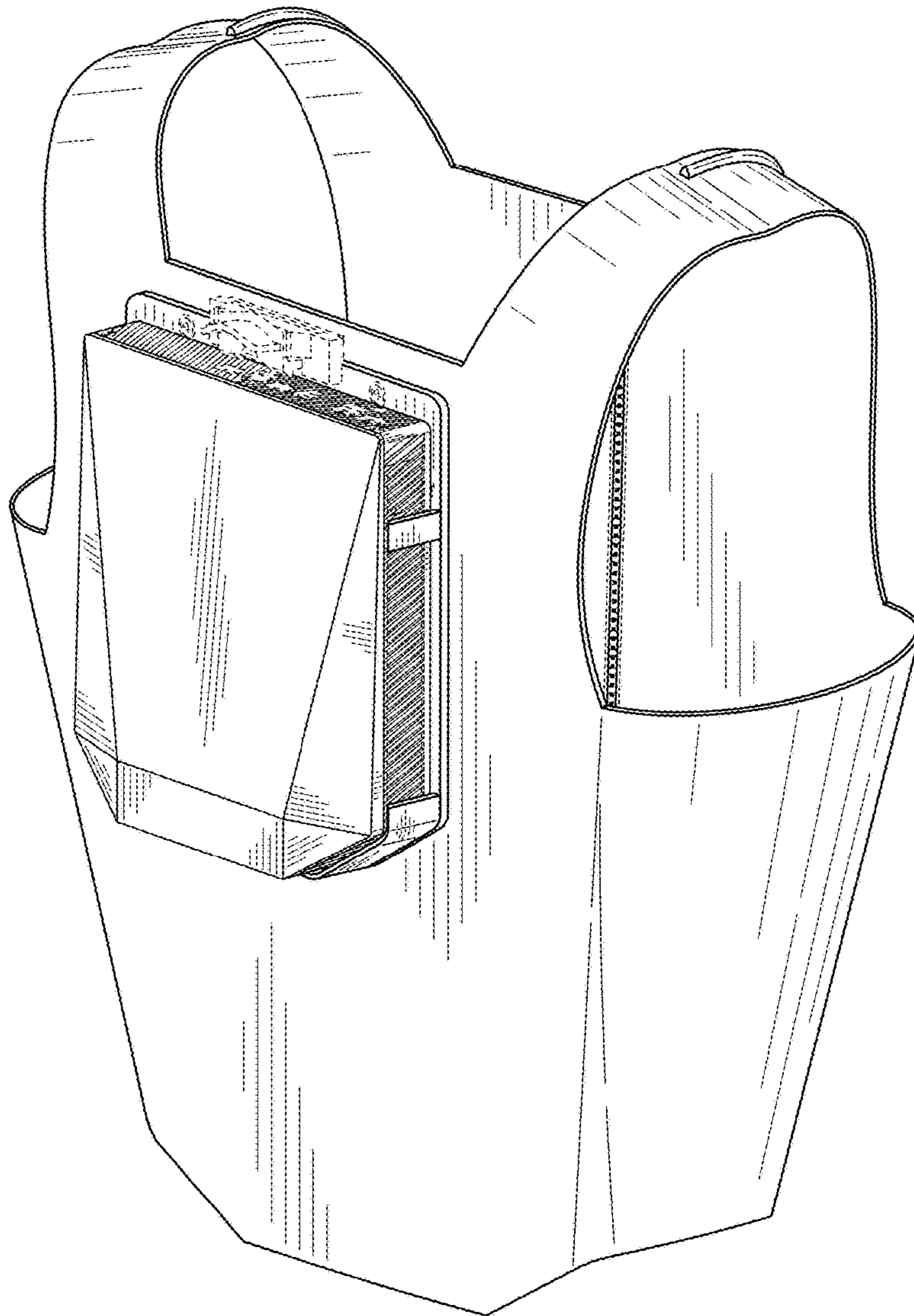


FIG. 1

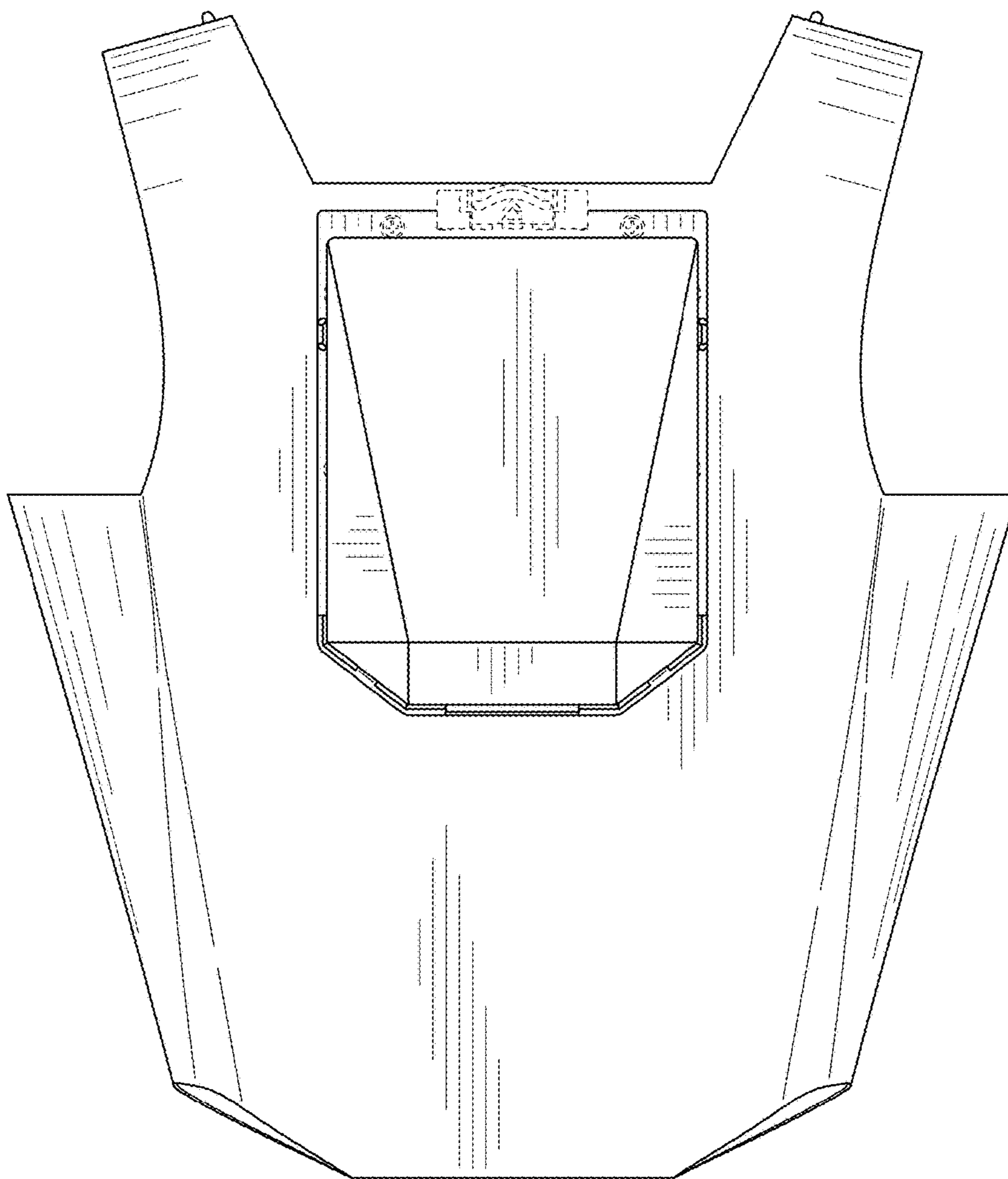


FIG. 2

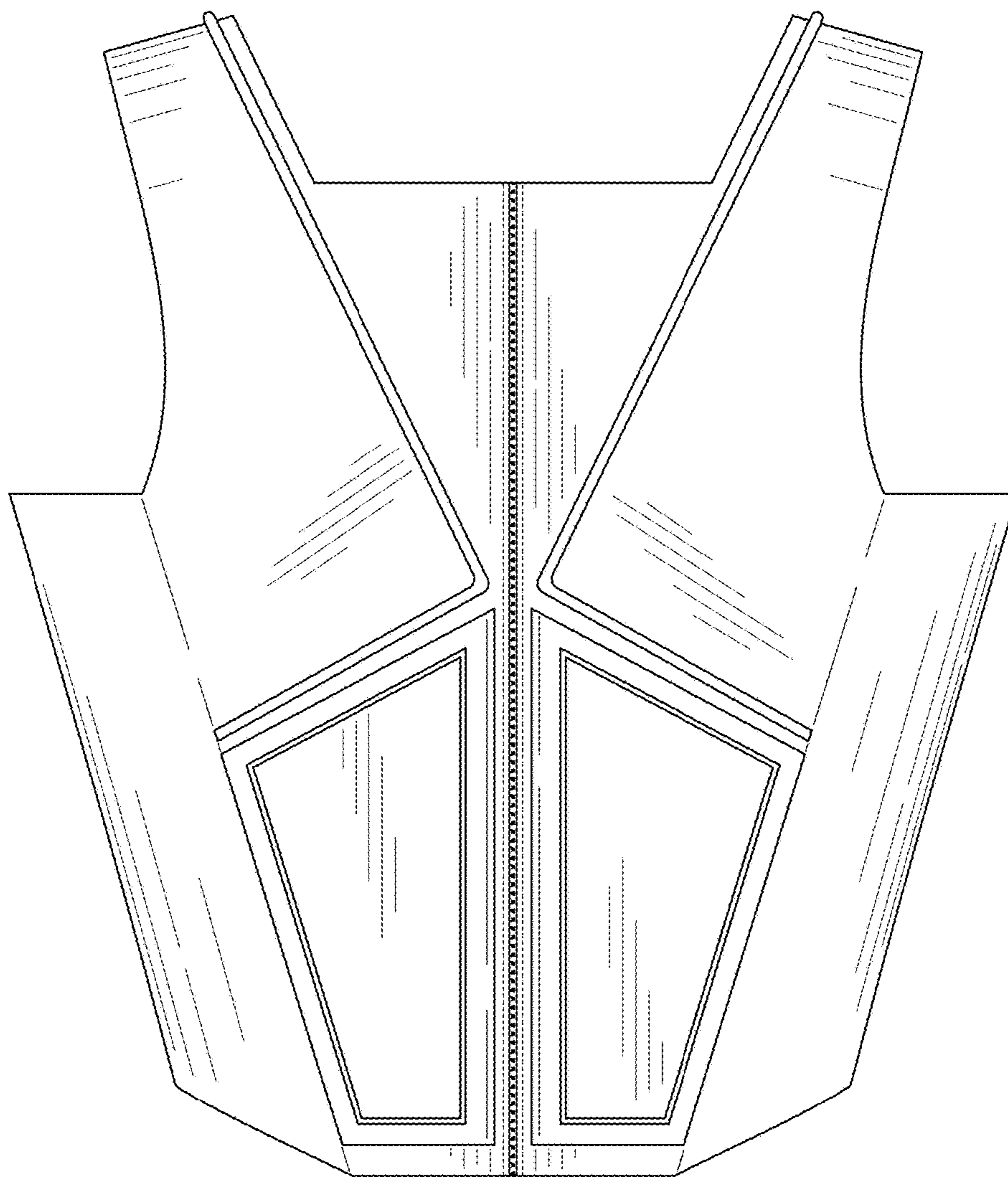


FIG. 3

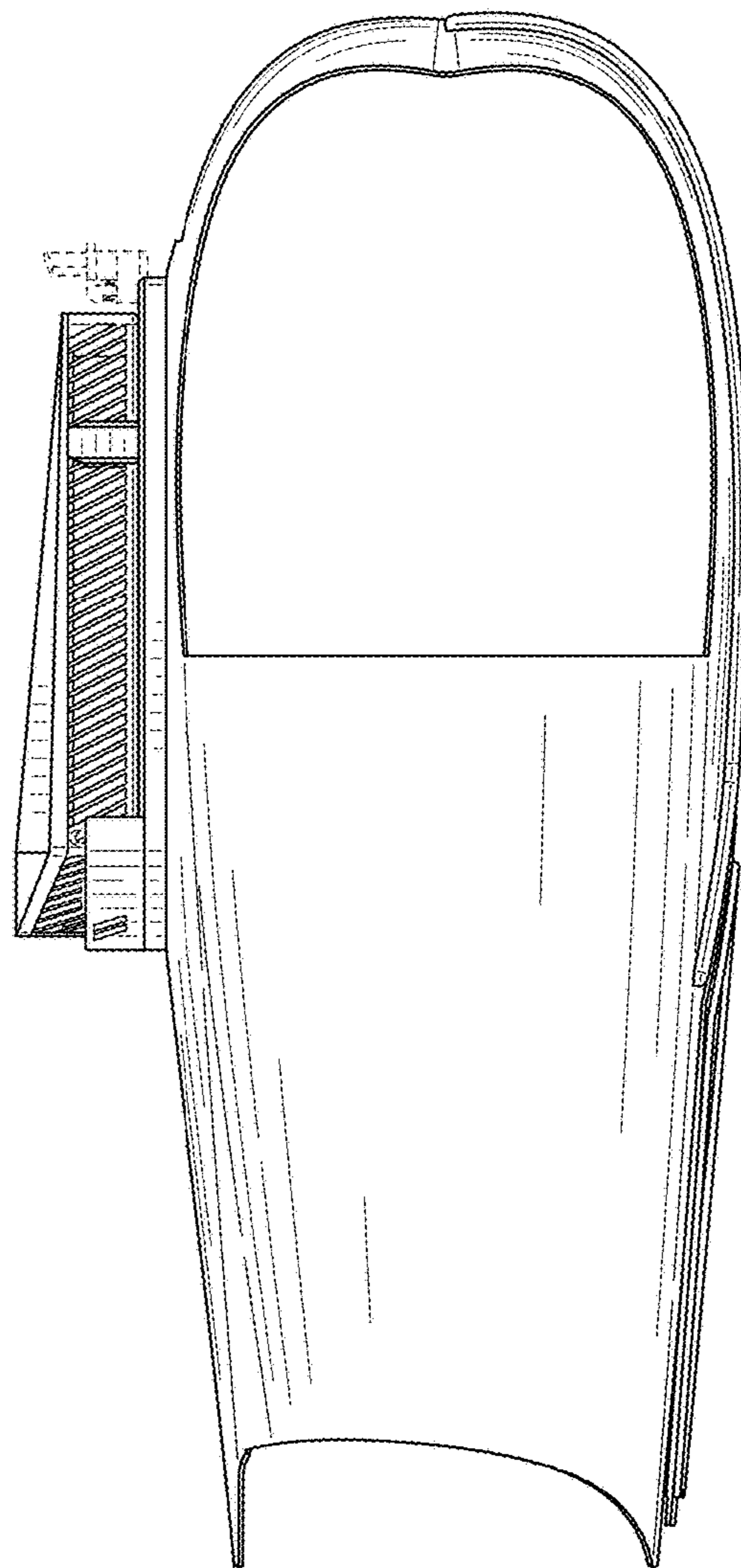


FIG. 4

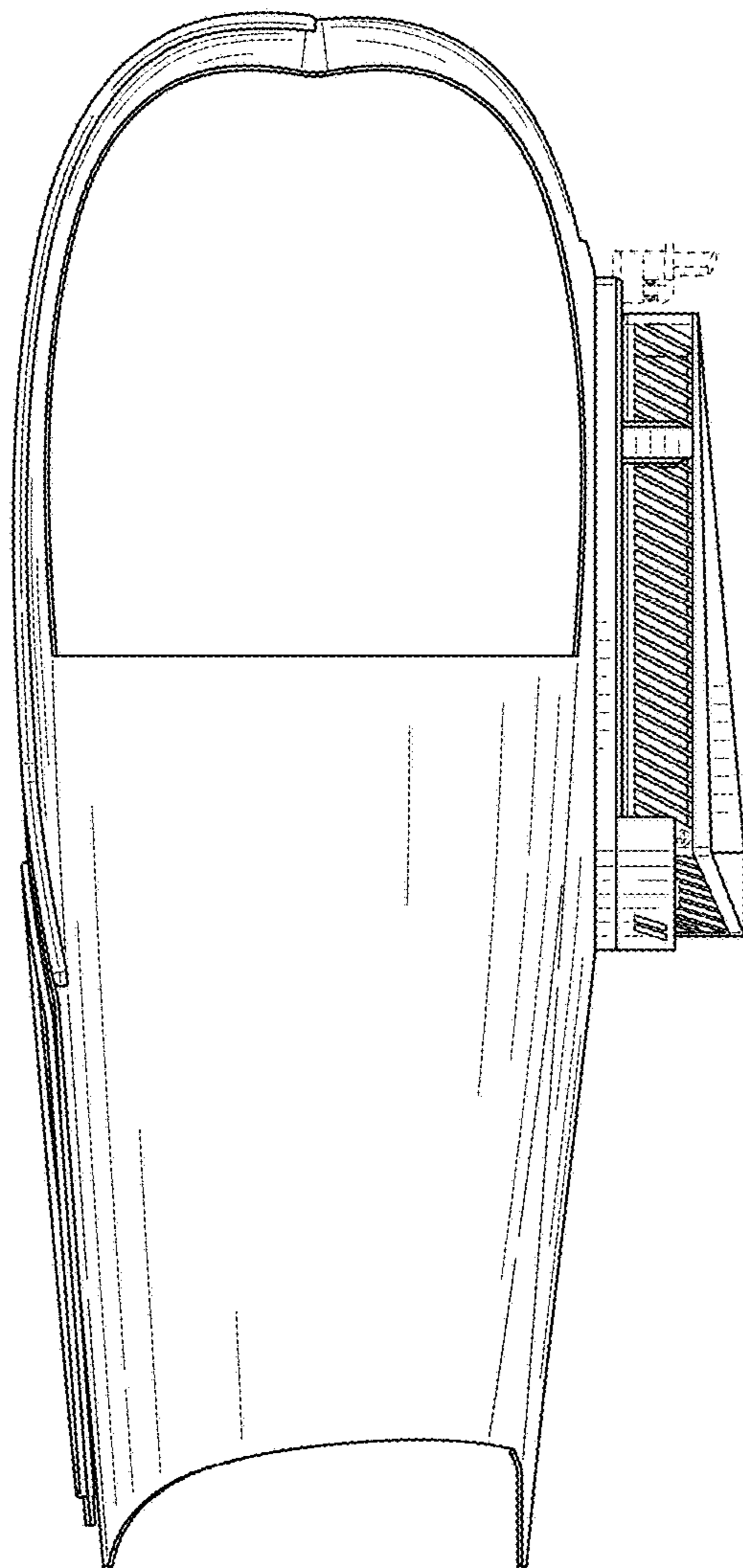


FIG. 5

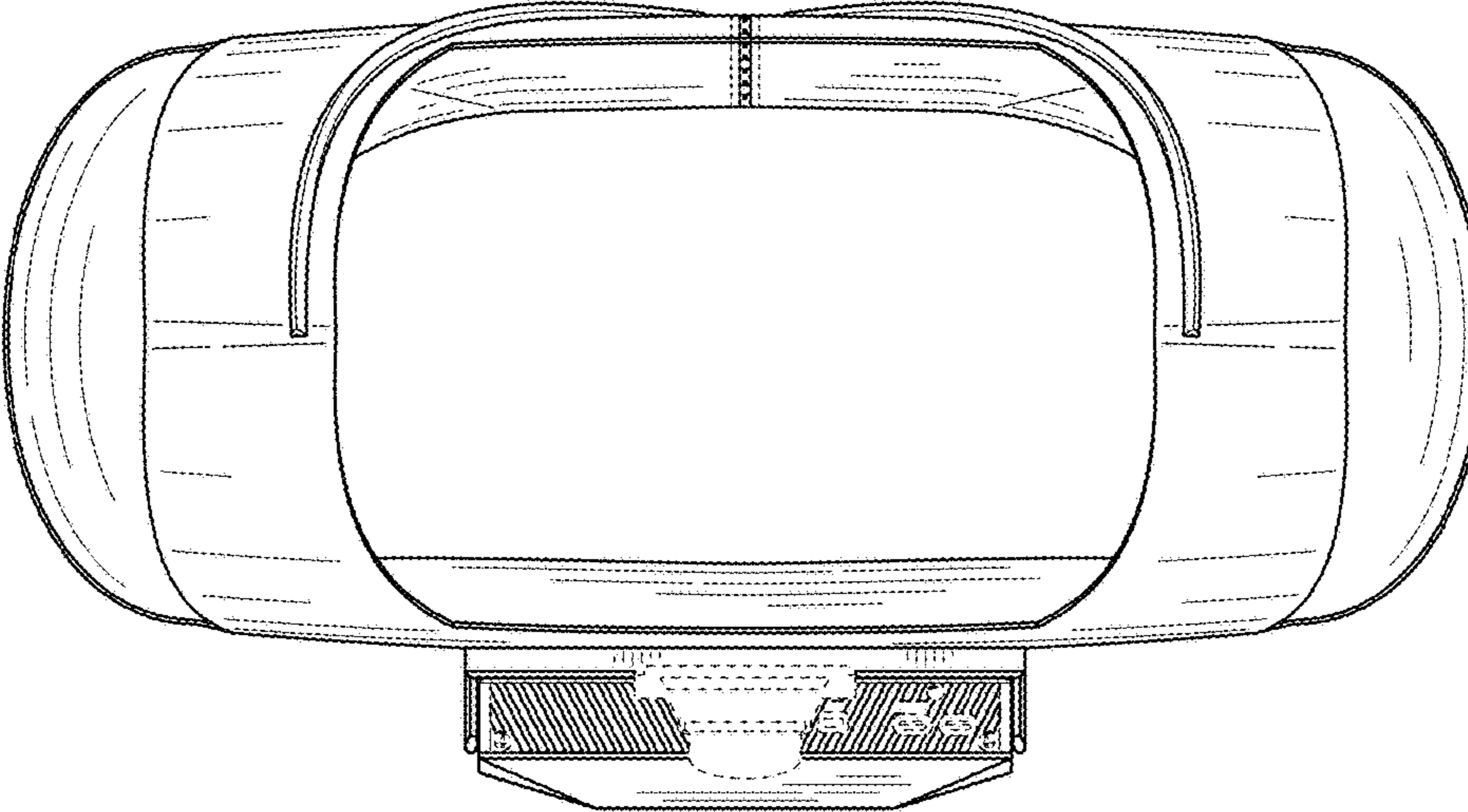


FIG. 6

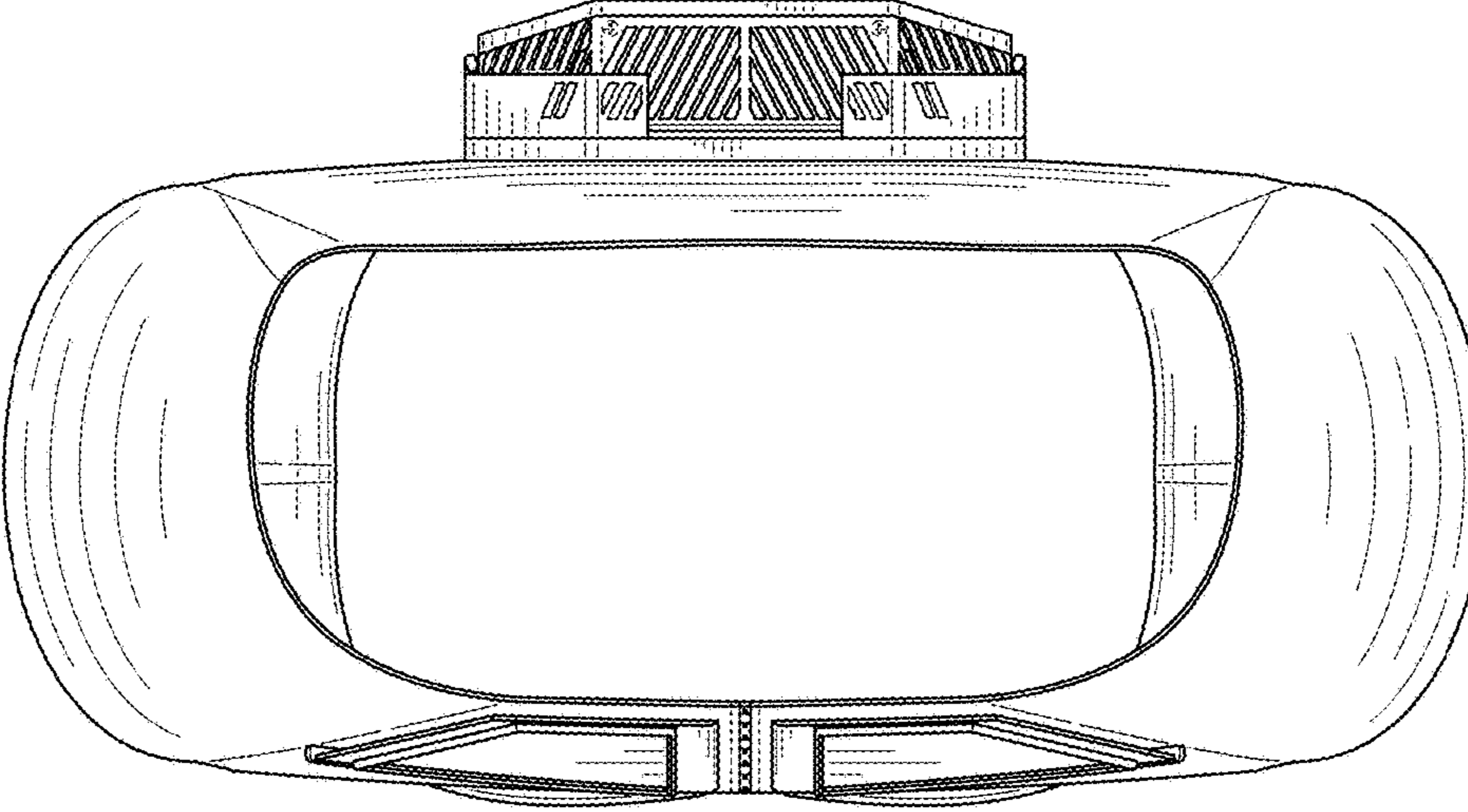


FIG. 7



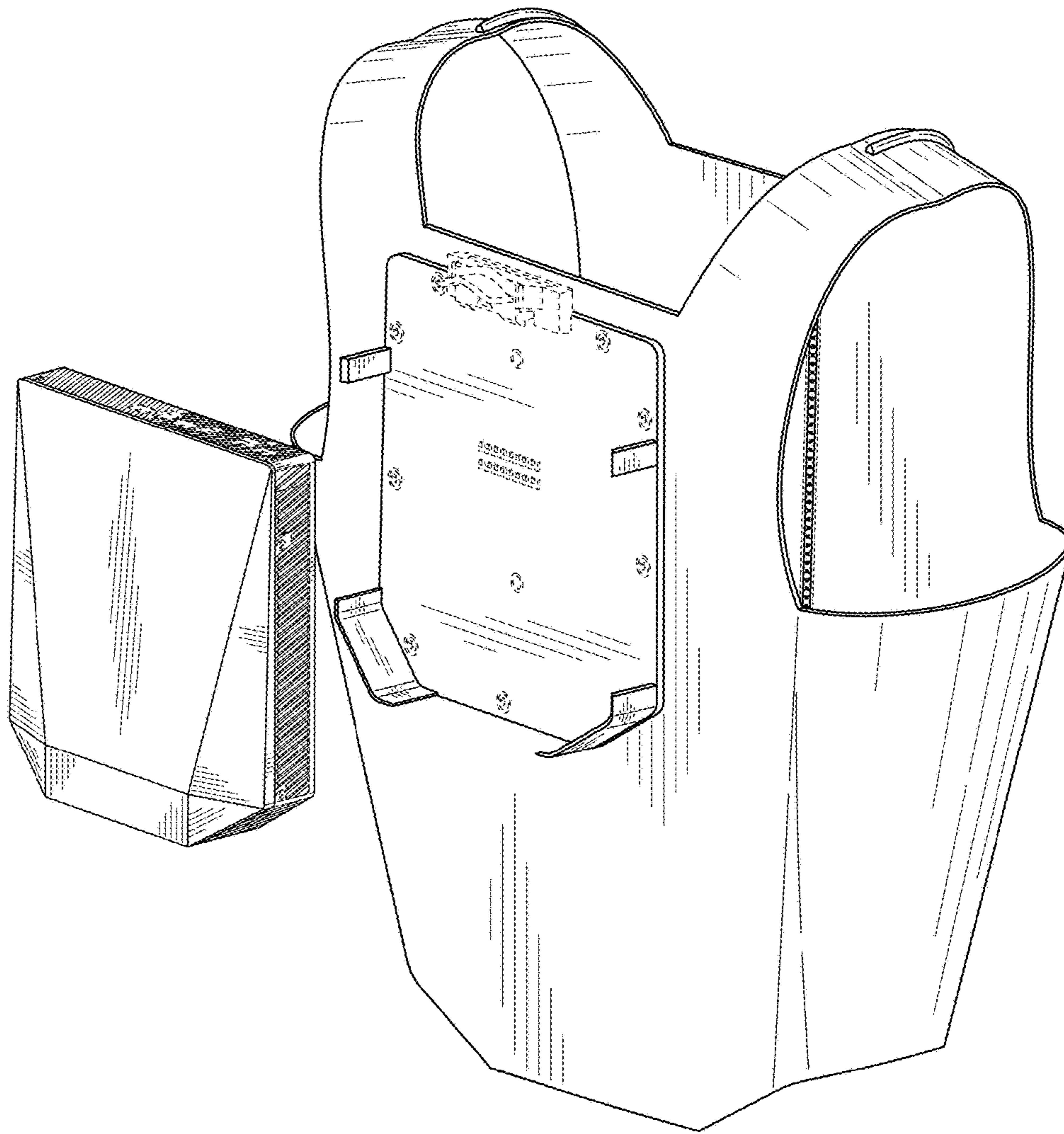


FIG. 8

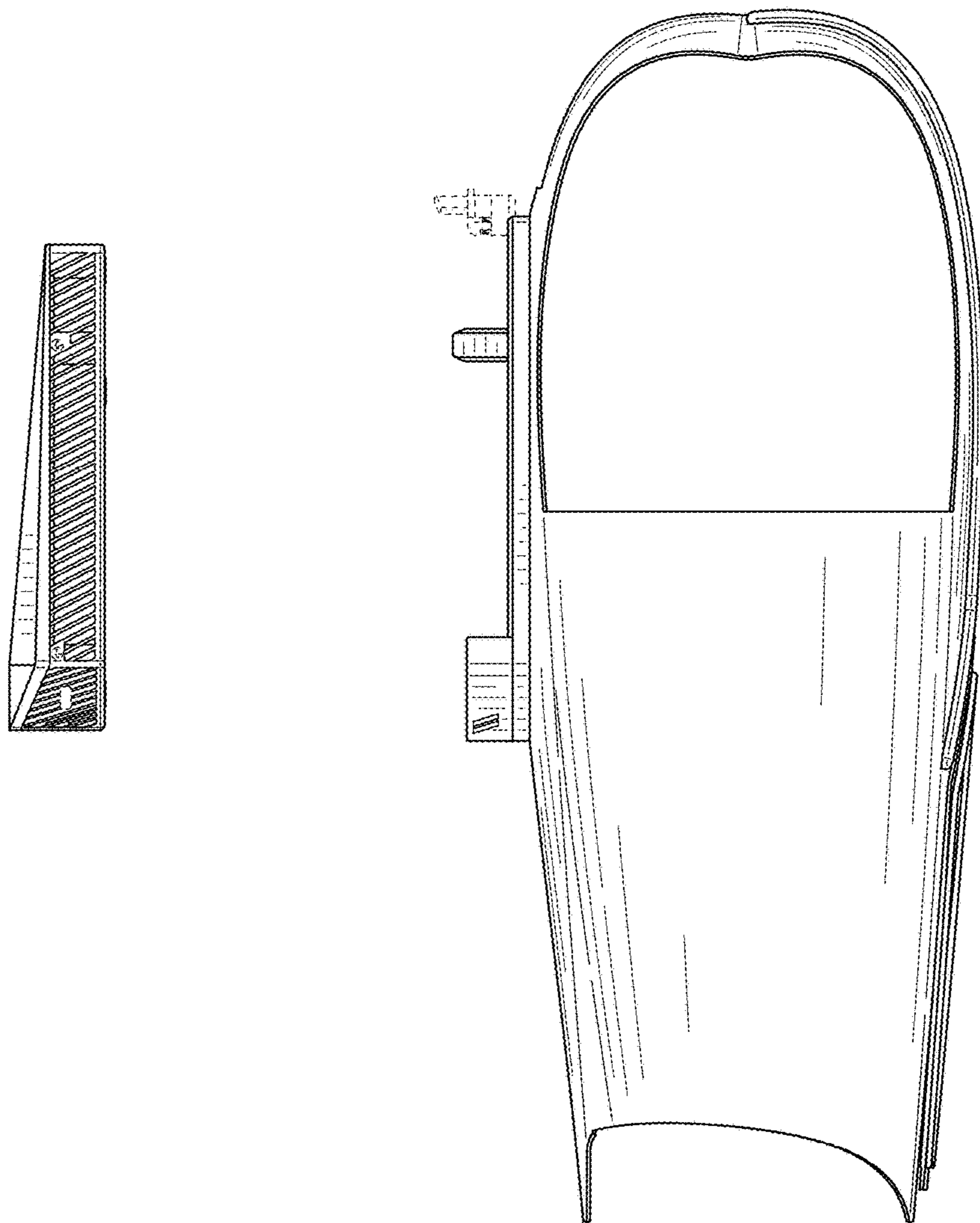


FIG. 9

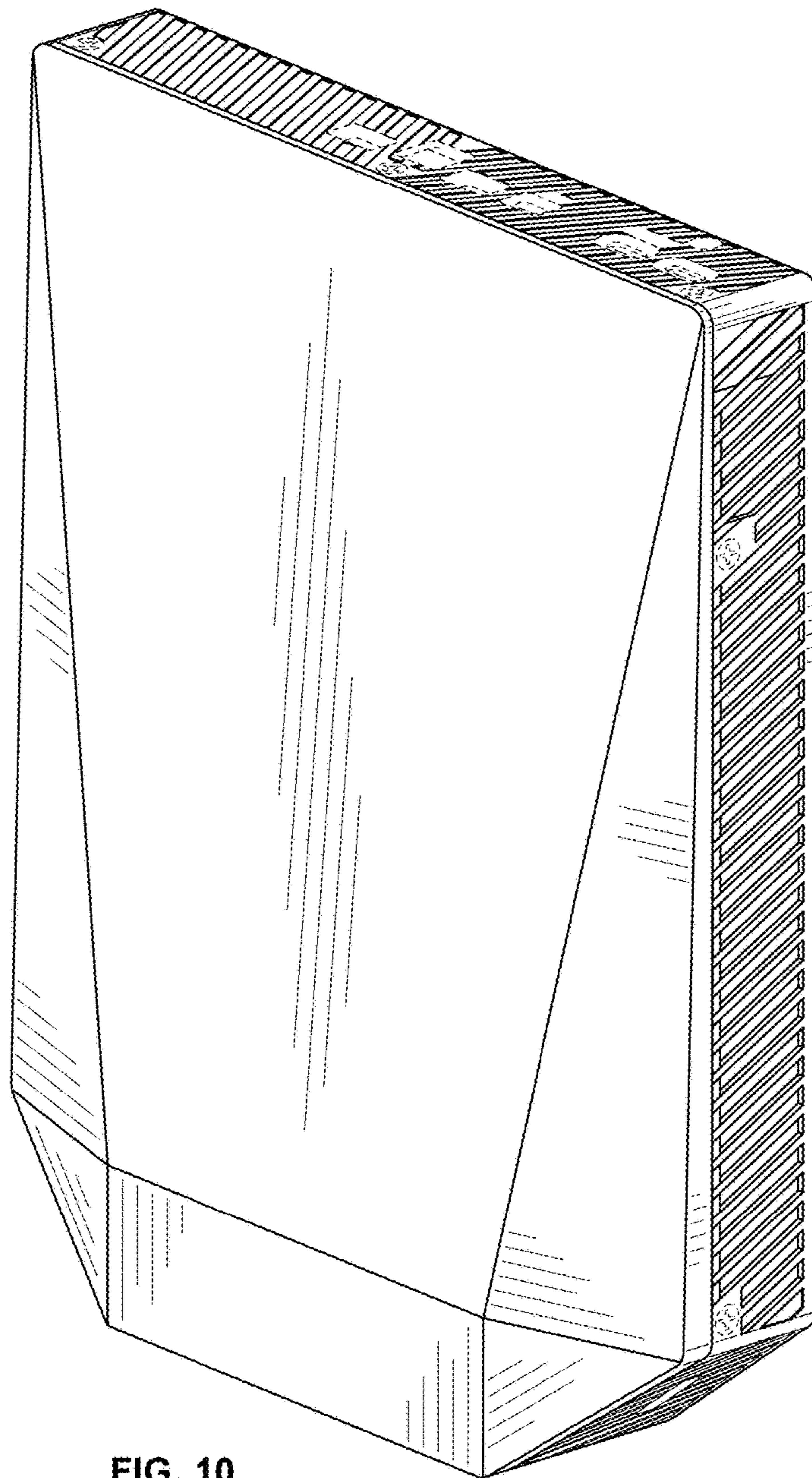


FIG. 10

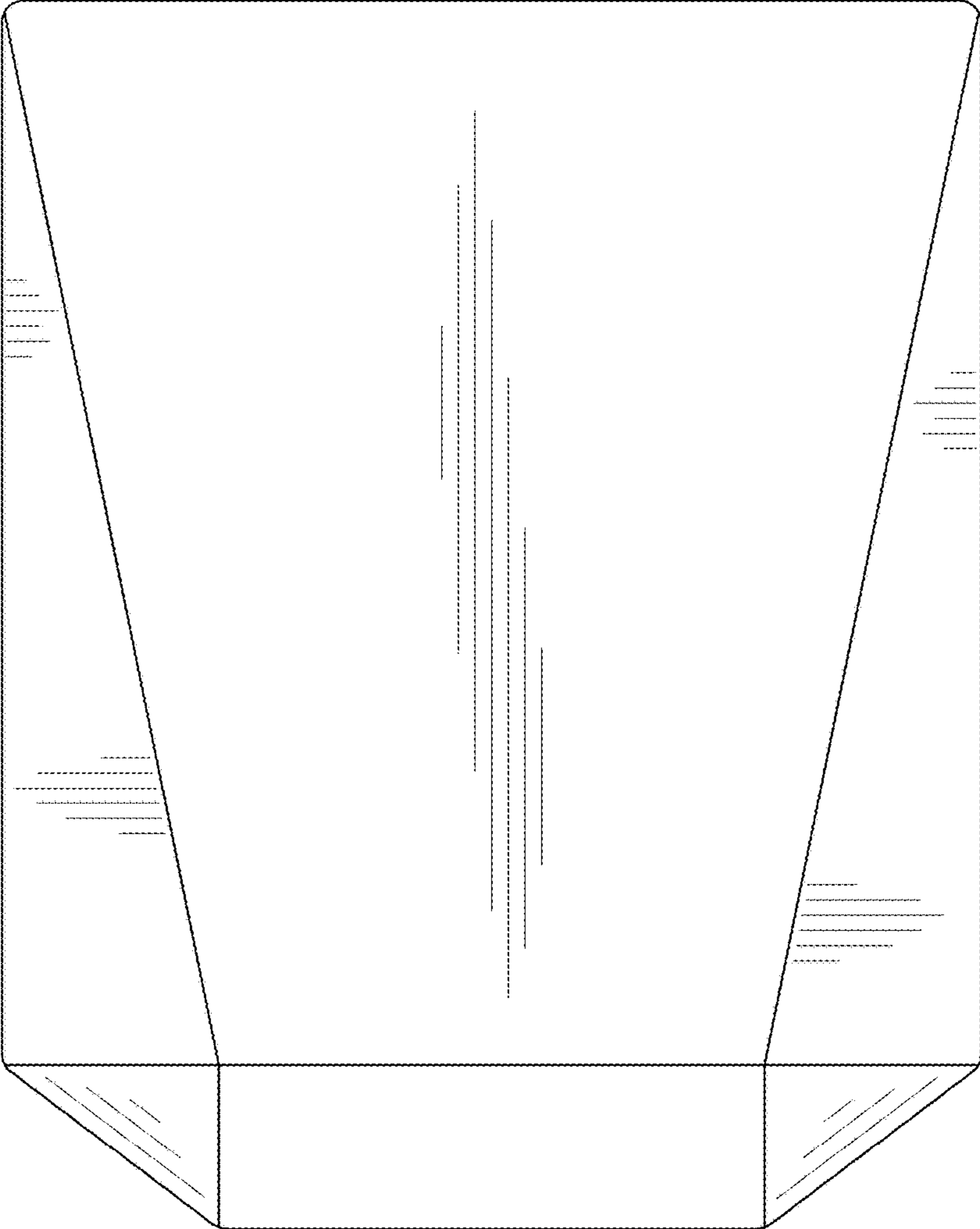


FIG. 11

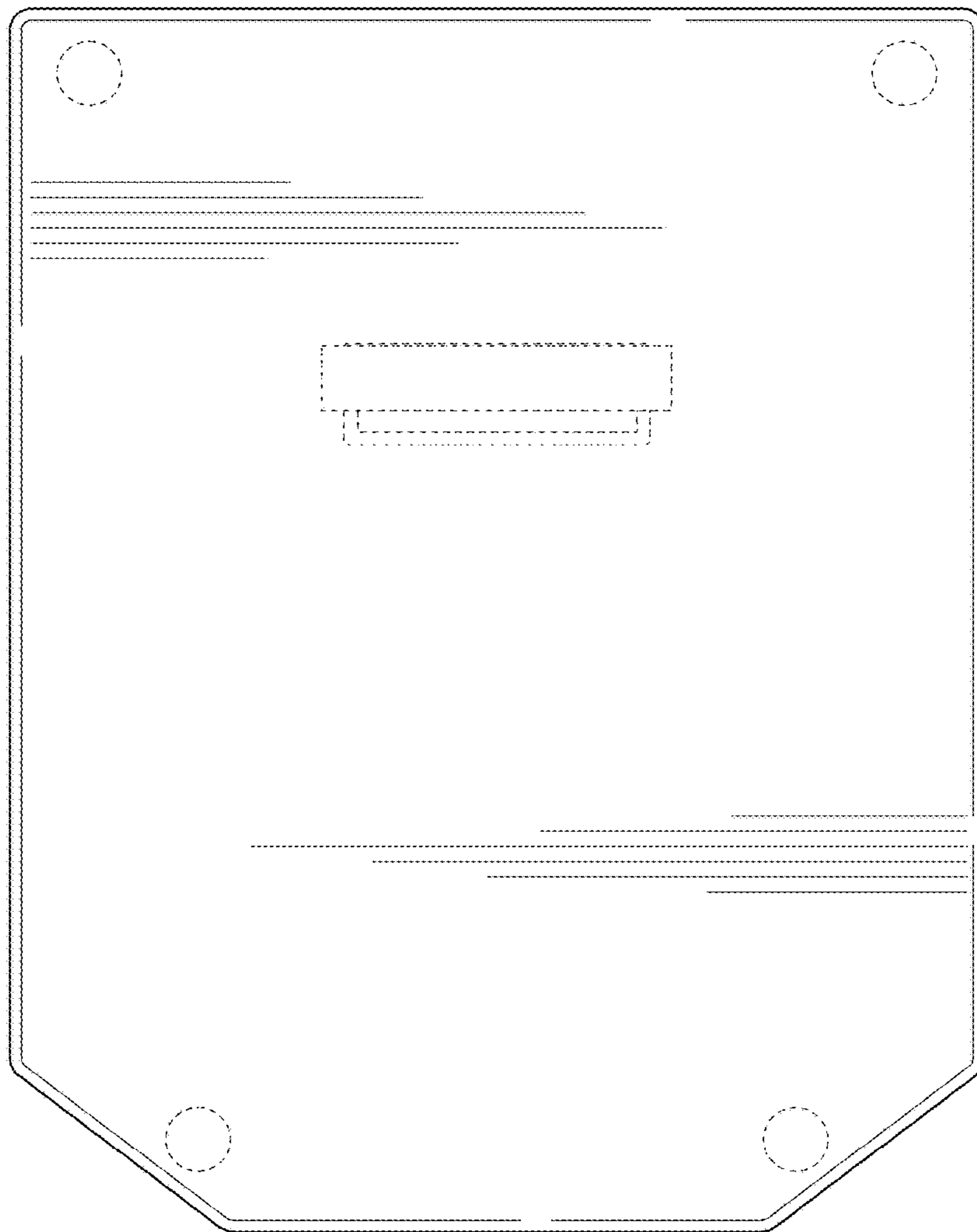


FIG. 12

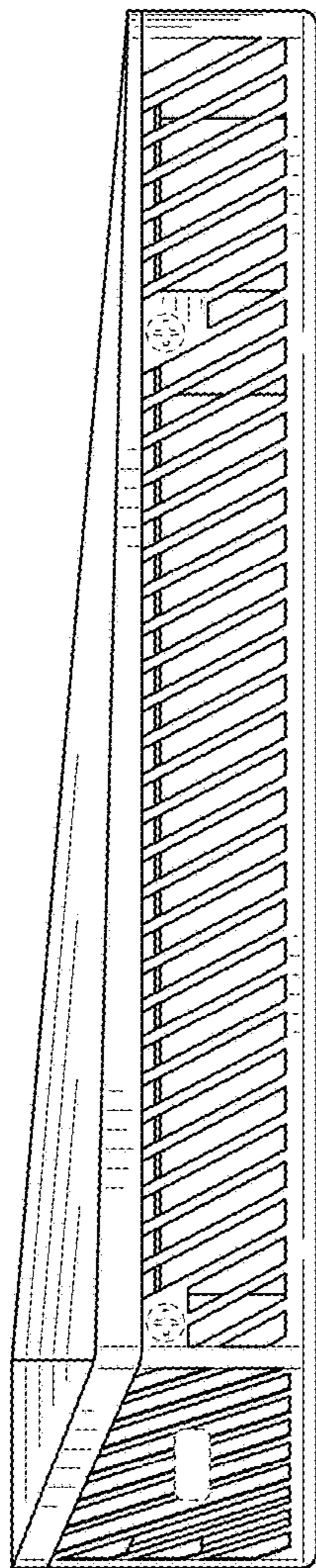


FIG. 13

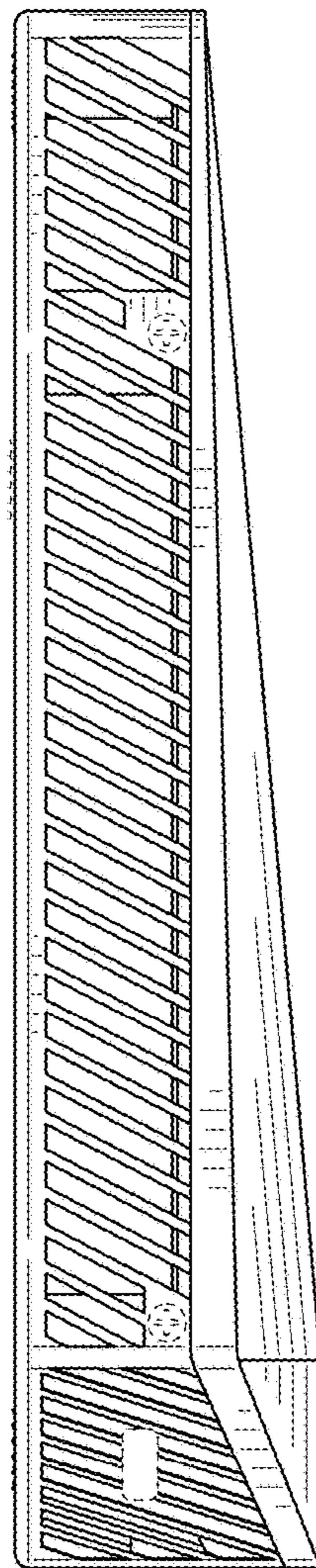


FIG. 14

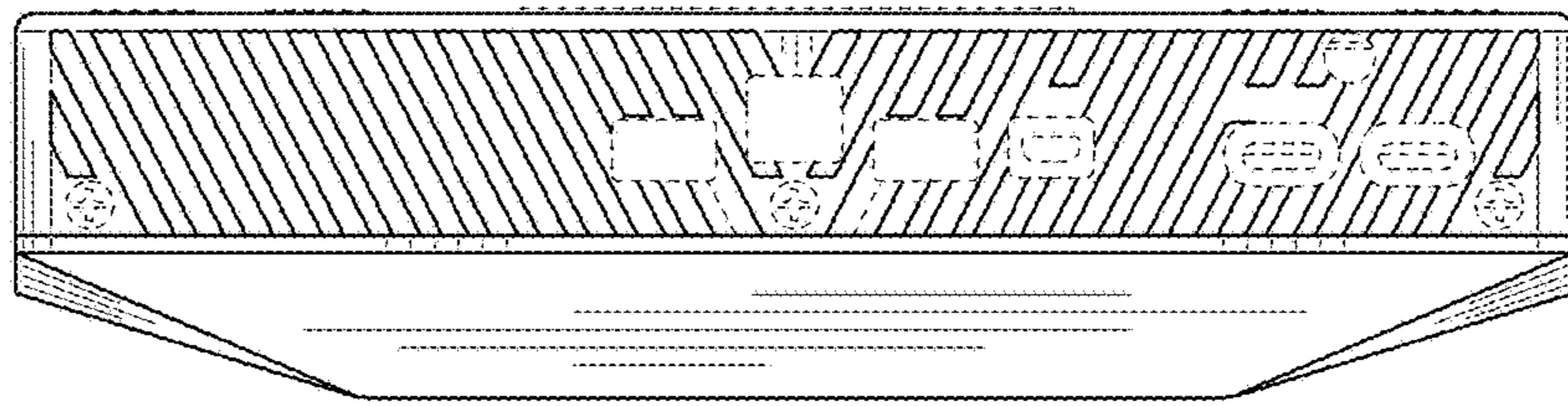


FIG. 15

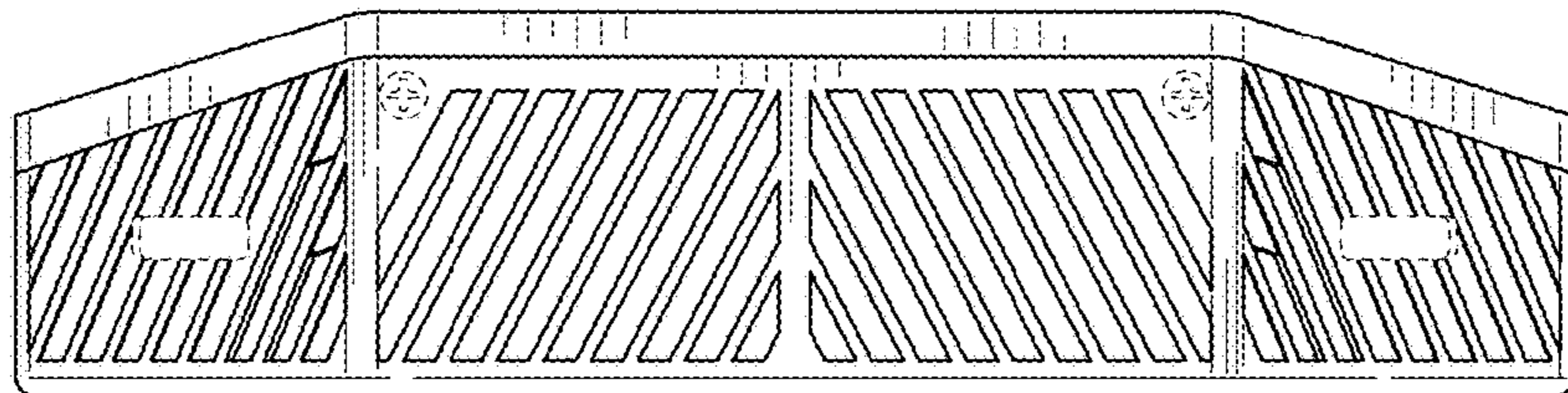


FIG. 16