



US00D853377S

(12) **United States Design Patent** (10) **Patent No.:** **US D853,377 S**
Crandon et al. (45) **Date of Patent:** **** Jul. 9, 2019**

(54) **CELL PHONE CRADLE**
(71) Applicant: **Rebel Poppy Pty Ltd**, Kenthurst (AU)
(72) Inventors: **Mark Crandon**, Kenthurst (AU); **Rebecca Paros**, Kenthurst (AU); **James Paros**, Kenthurst (AU)
(73) Assignee: **Rebel Poppy Pty Ltd**, Kenthurst, SW (AU)
(**) Term: **15 Years**
(21) Appl. No.: **29/672,626**
(22) Filed: **Dec. 7, 2018**
(51) **LOC (11) Cl.** **14-03**
(52) **U.S. Cl.**
USPC **D14/253**; D8/349; D8/354
(58) **Field of Classification Search**
USPC D14/253, 251, 252, 447, 451, 452, 440, D14/434, 458, 432, 439, 457, 460, 238.1, D14/140, 142, 149, 217, 148, 140.8, D14/140.11, 209.1, 151, 140.9, 250, 238; D13/107, 108; D12/415, 223, 114, 420, D12/417, 407, 177; D3/218; D16/242-245, 250, 237, 203, 214, 219; D6/675, 672, 673, 675.4, 553, 676, 310, D6/406.3, 406.4, 406.5, 406.6, 407, 567, D6/300, 682.3, 396; 248/459, 460; 224/483
CPC B60R 2011/0008; B60R 11/02; B60R 11/0241; B60R 11/0258; B60R 11/0252; B60R 2011/0294; F16M 11/00; F16M 11/04; F16M 11/041; F16M 11/02; F16M 11/06; F16M 13/00; H04M 1/02; H04M 1/04; H04M 1/11; H04M 1/12; A47F 7/022; B62J 11/00; H05K 7/00; G03B 17/56
See application file for complete search history.

D426,041 S * 5/2000 Boghossian D34/6
D551,008 S * 9/2007 Hidalgo D6/567
D626,541 S 11/2010 Kim et al.
D642,792 S 8/2011 Tremblay
D645,902 S * 9/2011 Tsai D19/90
D655,702 S * 3/2012 Saxton D12/422
D668,496 S * 10/2012 Ho D6/553
D676,037 S 2/2013 Schupsky
D685,804 S 7/2013 Richter
D689,045 S * 9/2013 Mardas D14/253
(Continued)

Primary Examiner — Janice Hallmark
(74) *Attorney, Agent, or Firm* — Wayne V. Harper

(57) **CLAIM**

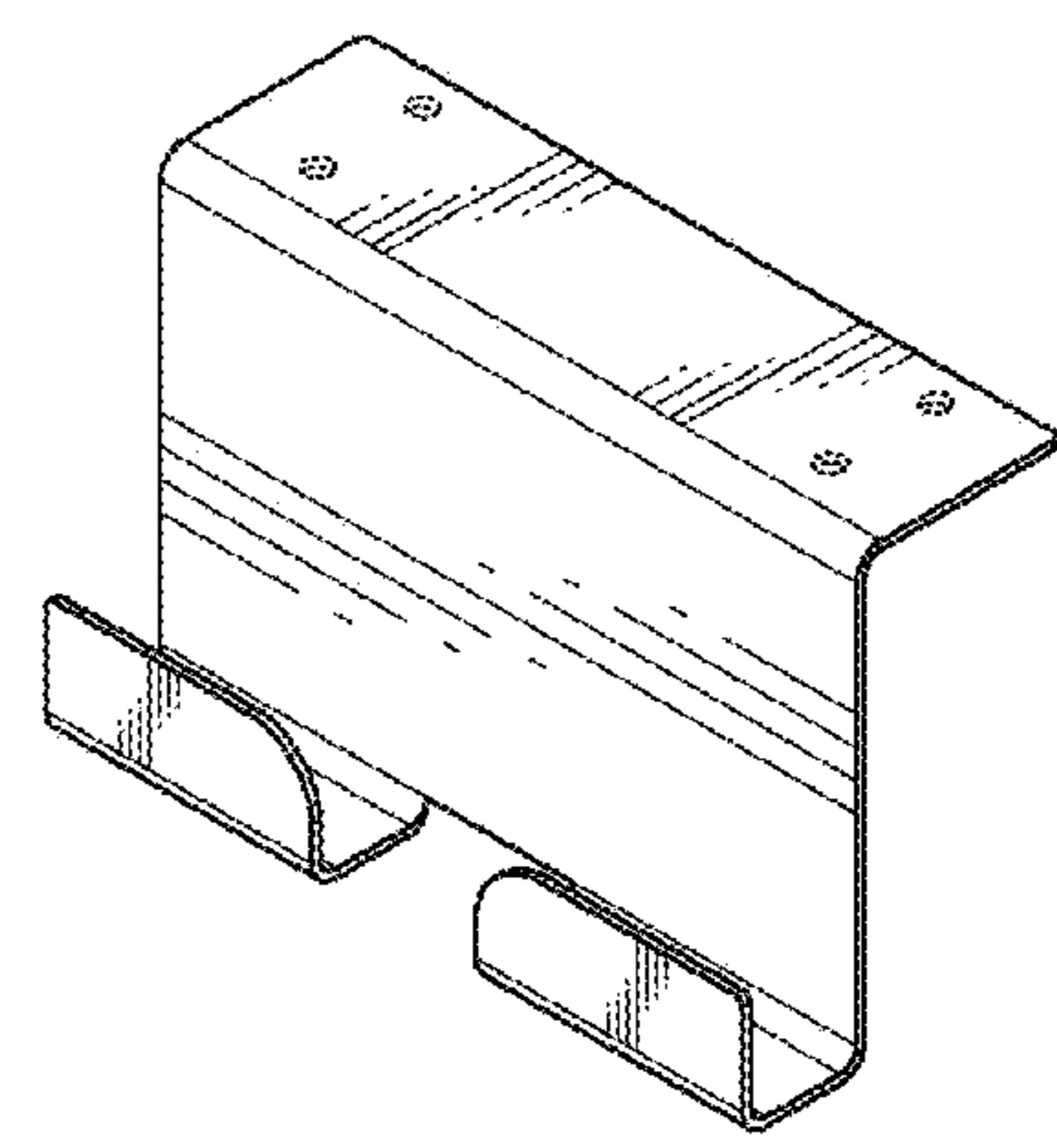
We claim the ornamental design for a cell phone cradle, as shown and described.

DESCRIPTION

FIG. 1 is a perspective view of a cell phone cradle showing my new design;
FIG. 2 is another perspective view of the cell phone cradle as shown in FIG. 1;
FIG. 3 is a Front view of the cell phone cradle as shown in FIG. 1;
FIG. 4 is a Back view of the cell phone cradle as shown in FIG. 1;
FIG. 5 is a Top view of the cell phone cradle as shown in FIG. 1;
FIG. 6 is a Bottom view of the cell phone cradle as shown in FIG. 1;
FIG. 7 is a Right-side view of the cell phone cradle as shown in FIG. 1; and,
FIG. 8 is a Left-side view of the cell phone cradle as shown in FIG. 1.
The broken lines are only for environmental purposes and form no part of the claimed design.

1 Claim, 5 Drawing Sheets

(56) **References Cited**
U.S. PATENT DOCUMENTS
D395,545 S 6/1998 Crim, Jr.
D425,353 S * 5/2000 Foy D24/134



(56)

References Cited

U.S. PATENT DOCUMENTS

D701,857 S *	4/2014	Ding	D14/253
D707,221 S *	6/2014	Hodapp	D14/253
D713,398 S	9/2014	Alesi et al.	
D713,838 S *	9/2014	Andre	D14/253
D721,074 S *	1/2015	Harris	D14/253
D722,963 S *	2/2015	Au-Yeung	D13/108
D730,888 S *	6/2015	Malsan	D14/253
D752,030 S	3/2016	Sharif	
D765,648 S *	9/2016	Starkenburg	D12/415
D771,616 S *	11/2016	Bo	D14/253
D772,218 S	11/2016	Alesi et al.	
D779,478 S *	2/2017	Justiss	D14/253
D813,241 S *	3/2018	Wengreen	D14/434
D837,131 S *	1/2019	Robillard	D12/415
D839,869 S *	2/2019	Wang	D14/253
D840,930 S *	2/2019	Lu	D13/108
2016/0142523 A1 *	5/2016	Bartkowski	H04M 1/04 248/441.1

* cited by examiner

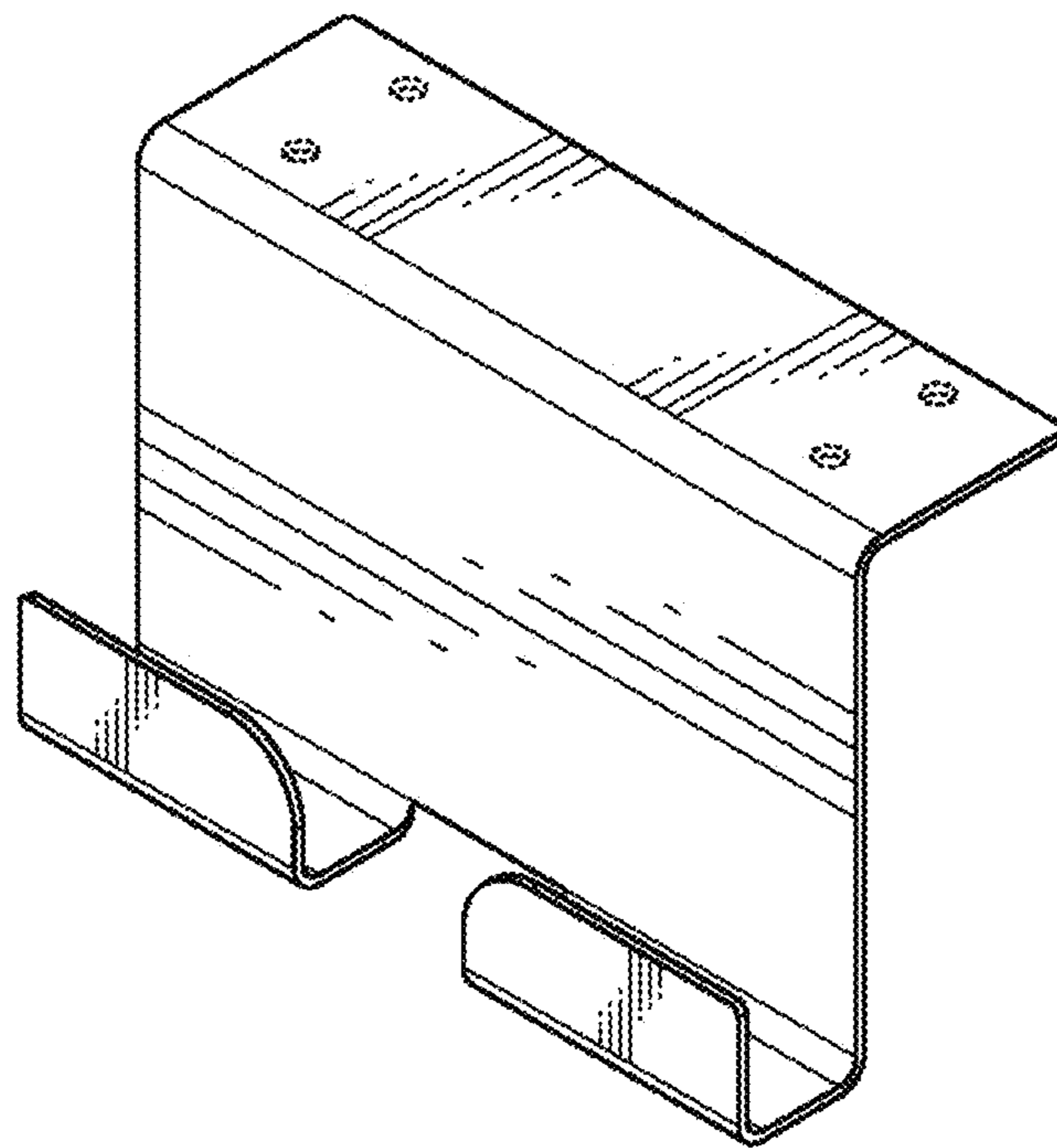


FIG. 1

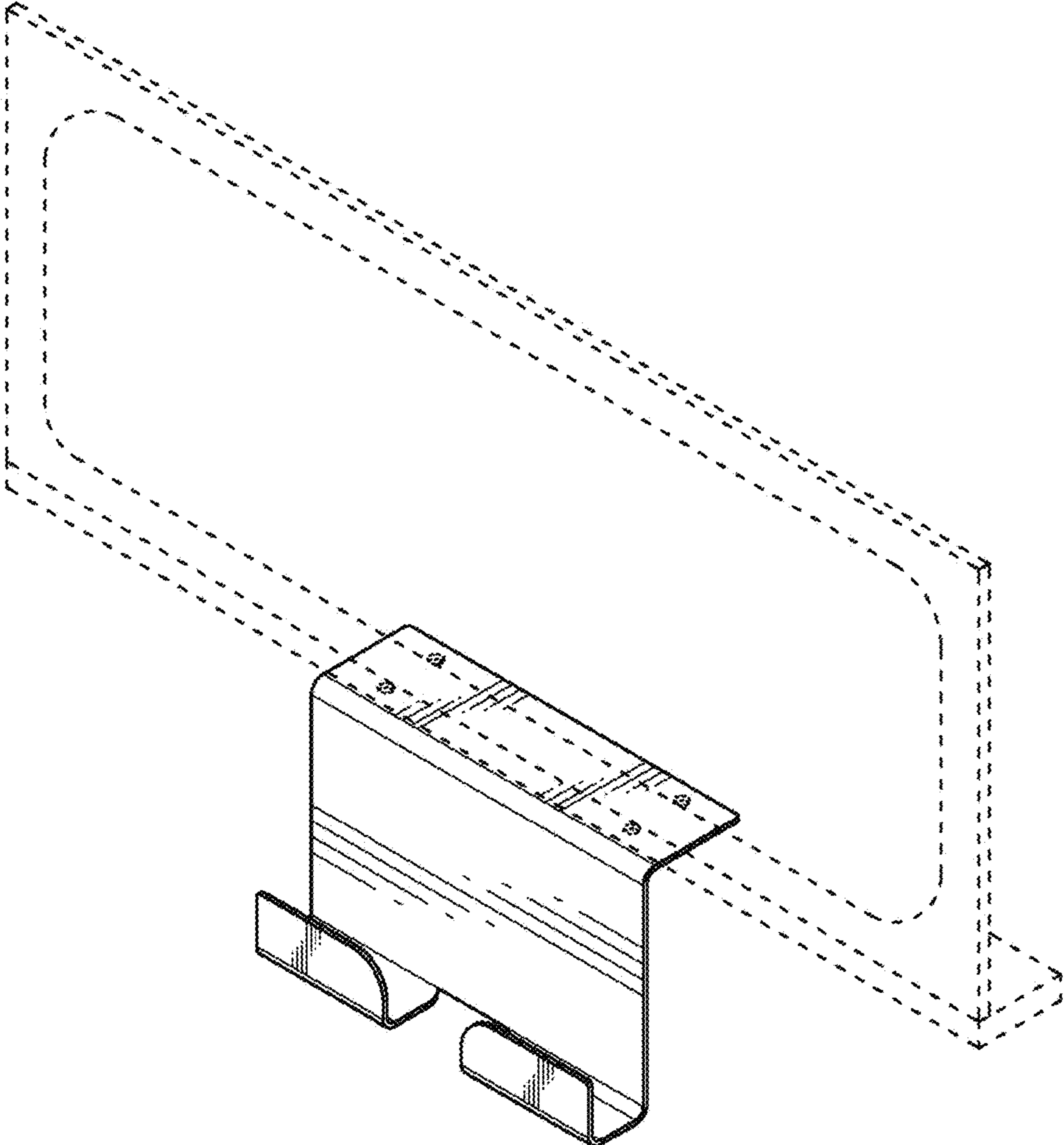


FIG. 2

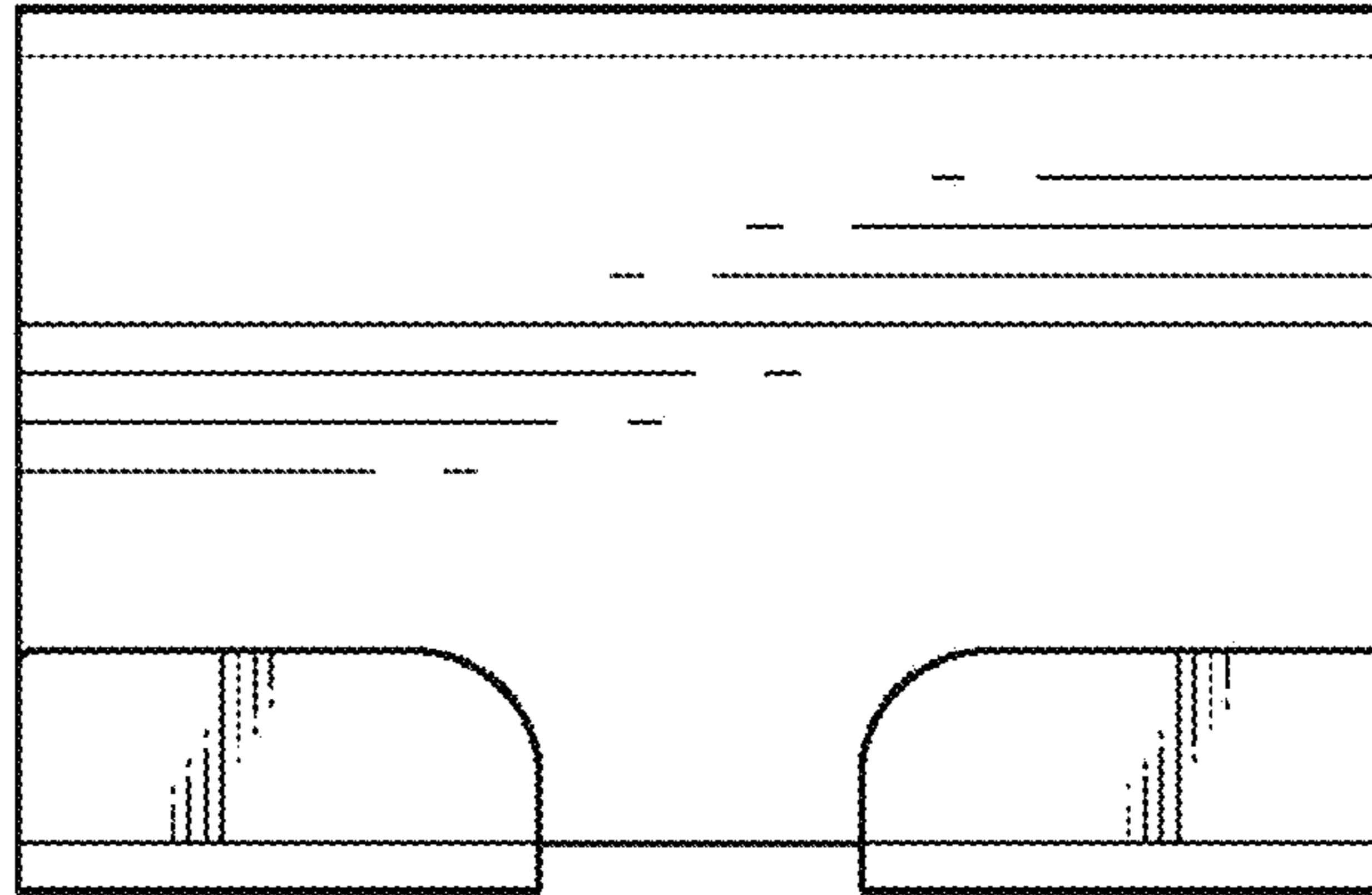


FIG. 3

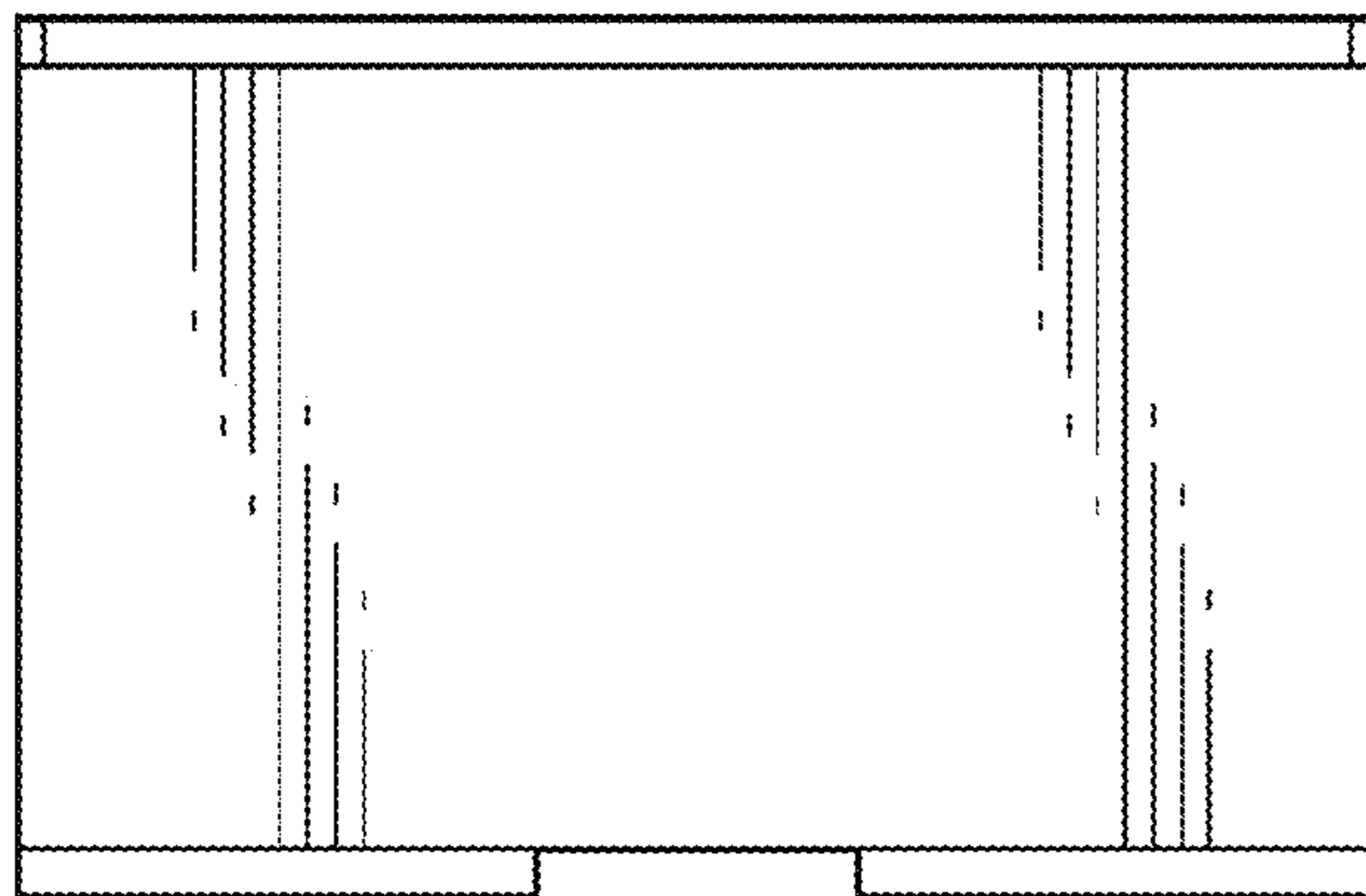


FIG. 4

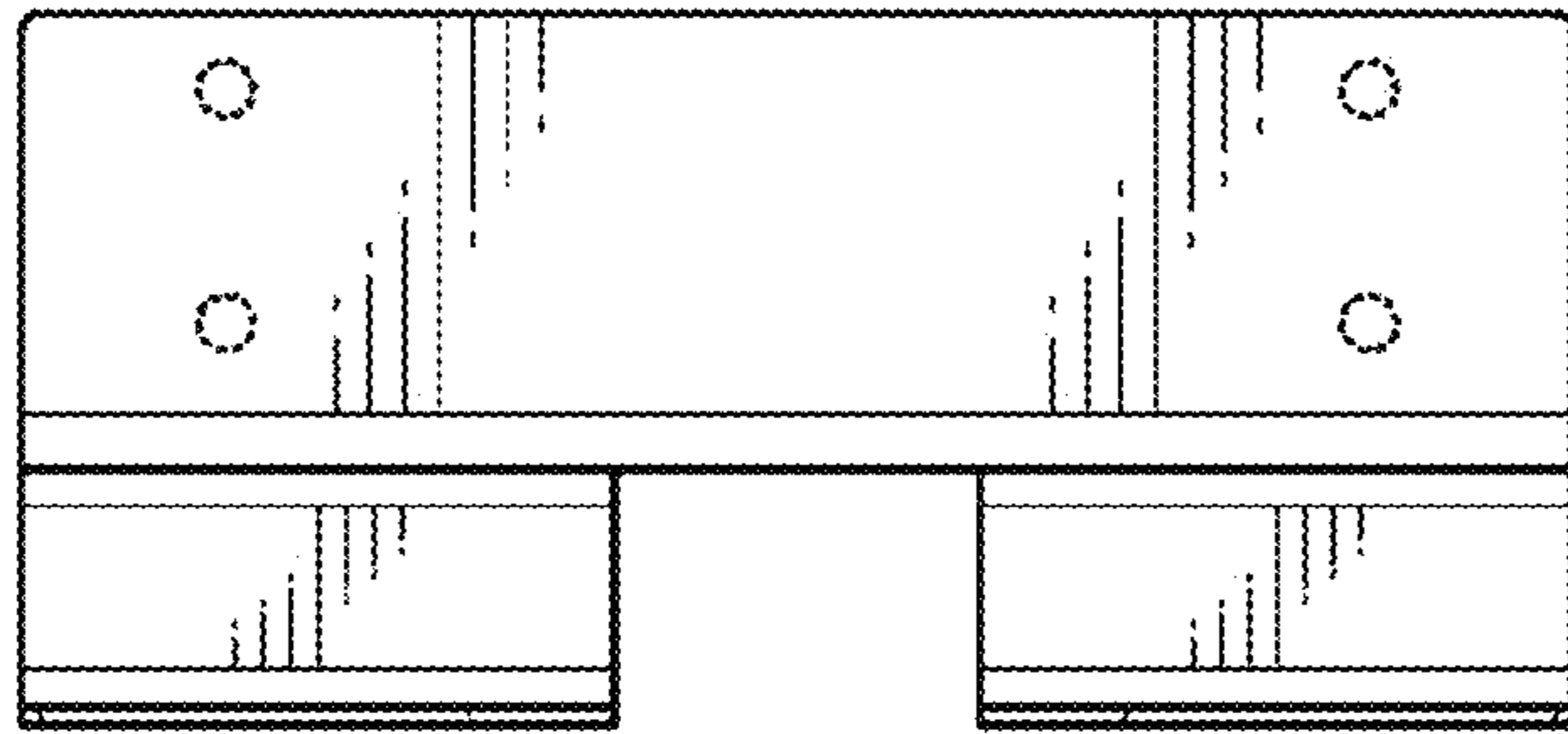


FIG. 5

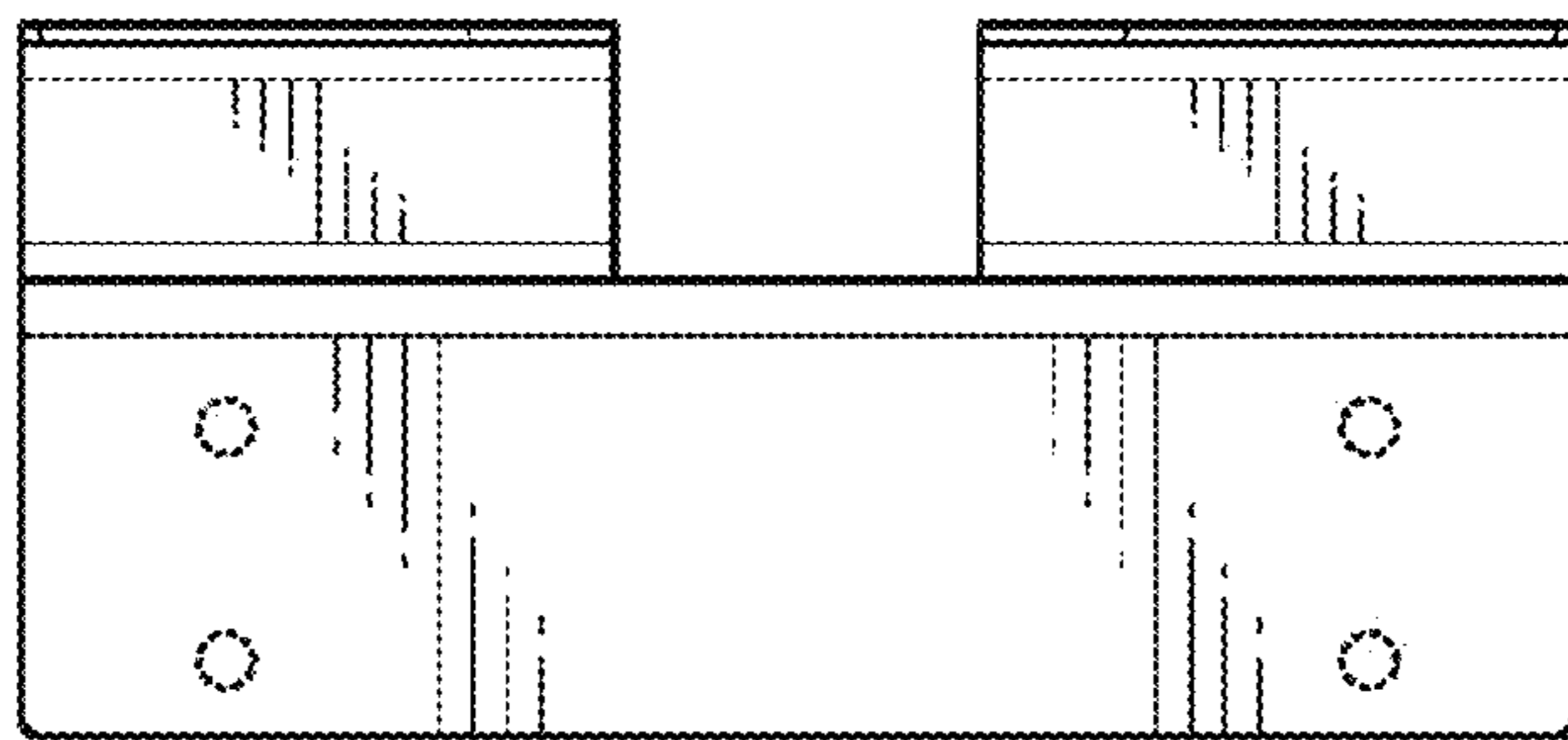


FIG. 6

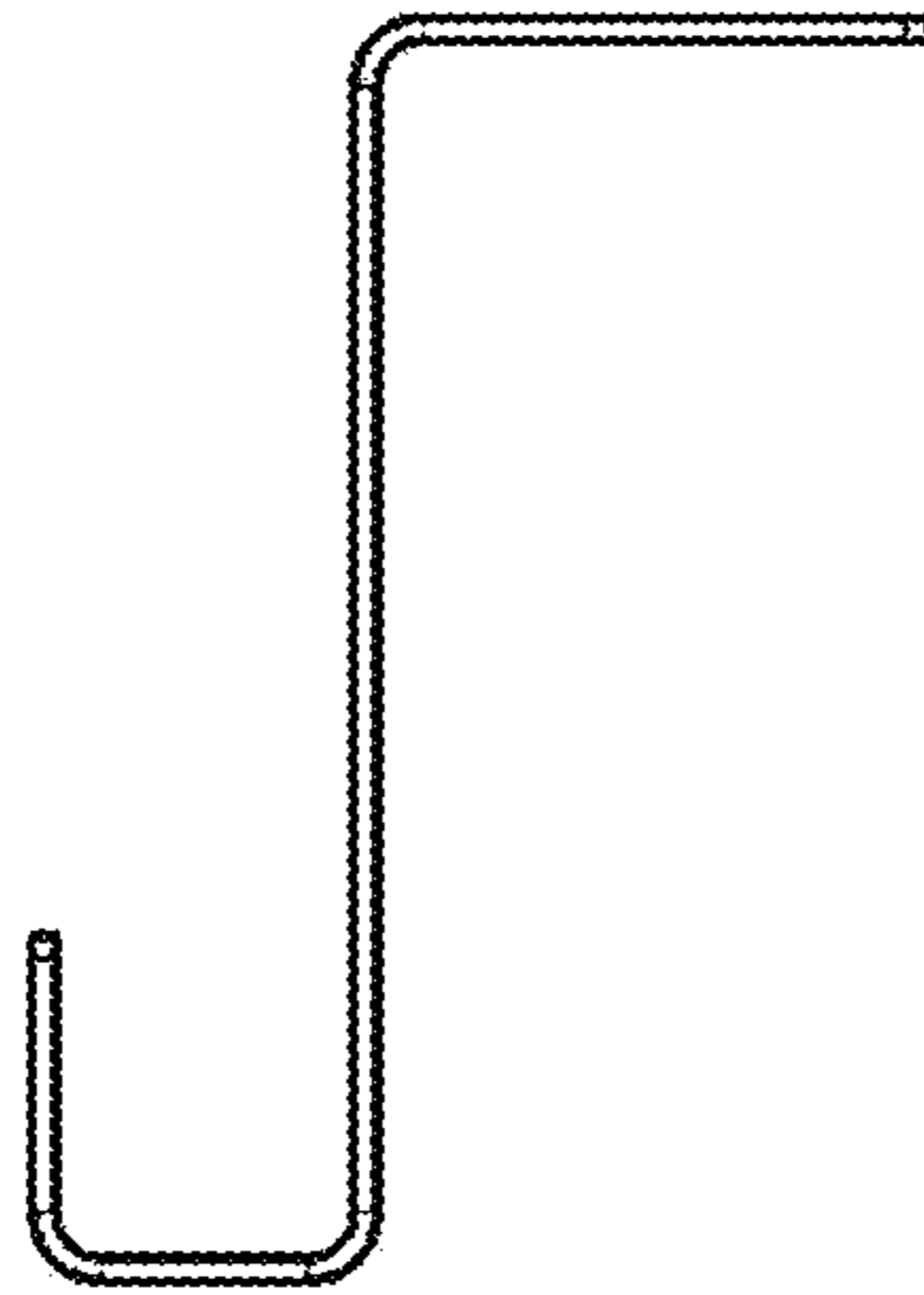


FIG. 7

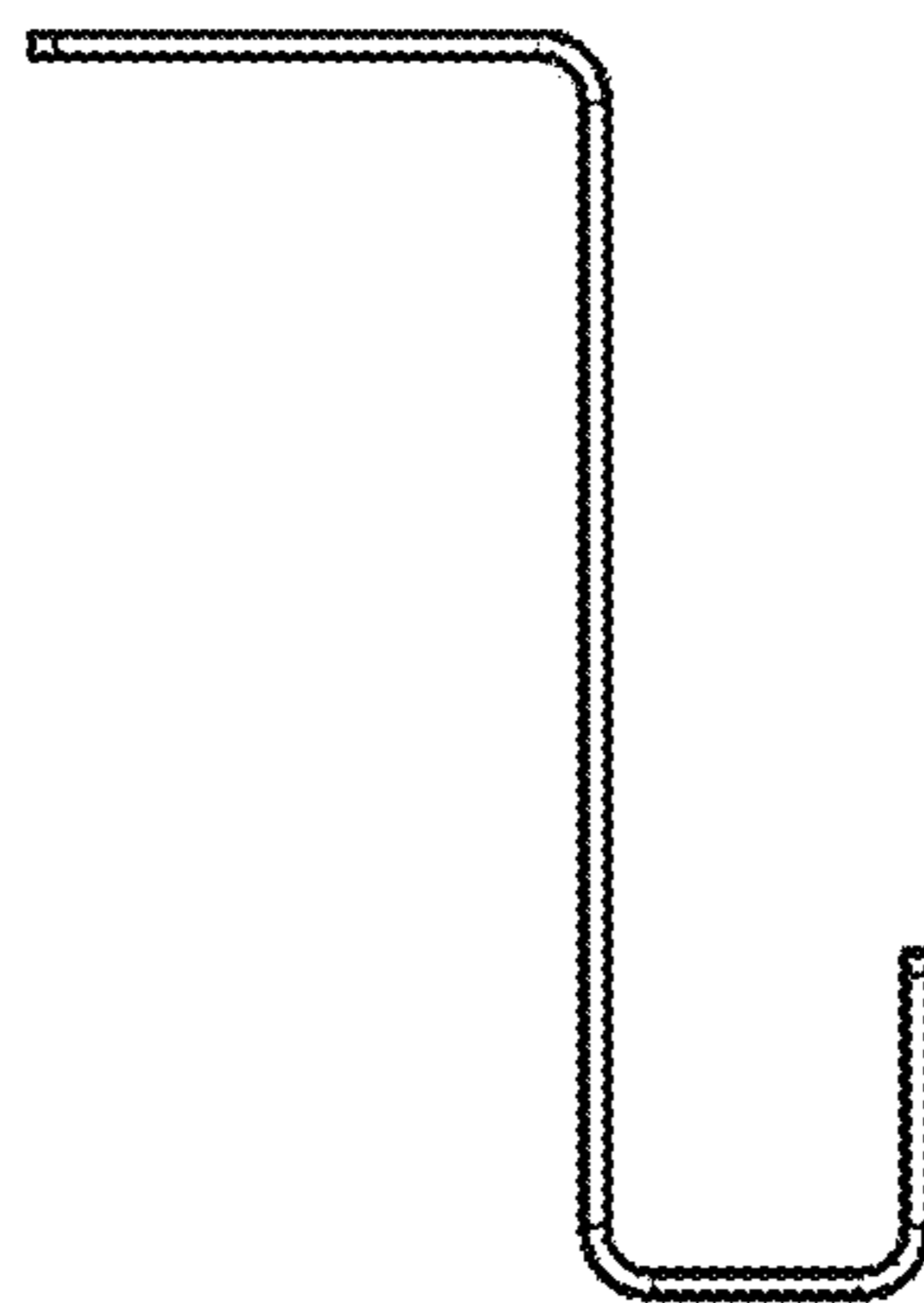


FIG. 8