



US00D853370S

(12) **United States Design Patent** (10) **Patent No.:** **US D853,370 S**
Matsuoka et al. (45) **Date of Patent:** **** Jul. 9, 2019**

(54) **PHONE**

FOREIGN PATENT DOCUMENTS

(71) Applicant: **Google Inc.**, Mountain View, CA (US)

CN 304073147 3/2017
CN 304095915 4/2017

(72) Inventors: **Yoshimichi Matsuoka**, Sunnyvale, CA (US); **Alberto Villarreal Bello**, San Jose, CA (US); **Vincent Claudepierre**, San Francisco, CA (US); **Max Ken Yoshimoto**, Sunnyvale, CA (US); **Ji Hye Bae**, Mountain View, CA (US)

(Continued)

OTHER PUBLICATIONS

(73) Assignee: **Google LLC**, Mountain View, CA (US)

Nokia 8 Sirocco, Apr. 2018, [online], [site visited Jan. 24, 2019]. Retrieved from url:https://www.gsmarena.com/nokia_8_sirocco-pictures-9087.php (Year: 2018).*

(**) Term: **15 Years**

Primary Examiner — Cathron C Brooks

(21) Appl. No.: **29/604,921**

Assistant Examiner — Tracey J Bell

(22) Filed: **May 22, 2017**

(74) *Attorney, Agent, or Firm* — Finnegan, Henderson, Farabow, Garrett & Dunner LLP

(51) **LOC (11) Cl.** **14-03**

(57) **CLAIM**

The ornamental design for a phone, as shown and described.

(52) **U.S. Cl.**

DESCRIPTION

USPC **D14/248**

(58) **Field of Classification Search**

USPC D14/138 C, 138 G, 248, 250, 341, 203.3, D14/388, 389, 138 AD, 138 AC, 242, D14/138 R, 342, 371; D10/50, 65, 104.1
CPC G06F 1/1626; G06F 1/1652; H04M 1/027; H04M 1/0202; H04M 1/0279; H04M 1/0235; H04M 1/0237; H04M 1/0239; H04M 1/0266; H04M 1/0268; H04M 1/029

FIG. 1 is a bottom, front, left perspective view of a phone showing our new design; FIG. 2 is a top, rear, right perspective view thereof; FIG. 3 is a front elevation view thereof; FIG. 4 is a rear elevation view thereof; FIG. 5 is a left side view thereof; FIG. 6 is a right side view thereof; FIG. 7 is a top plan view thereof; FIG. 8 is a bottom plan view thereof; FIG. 9 is a partial enlarged bottom plan view; and FIG. 10 is a partial enlarged top, front, left perspective view; and, FIG. 11 is a partial enlarged bottom, front, right perspective view.

See application file for complete search history.

The broken lines of uneven length, which correspond to the edge of a portion of the phone, define the bounds of the claim and form no part of the claimed design. The portions of the phone depicted in broken lines of even length form no part of the claimed design.

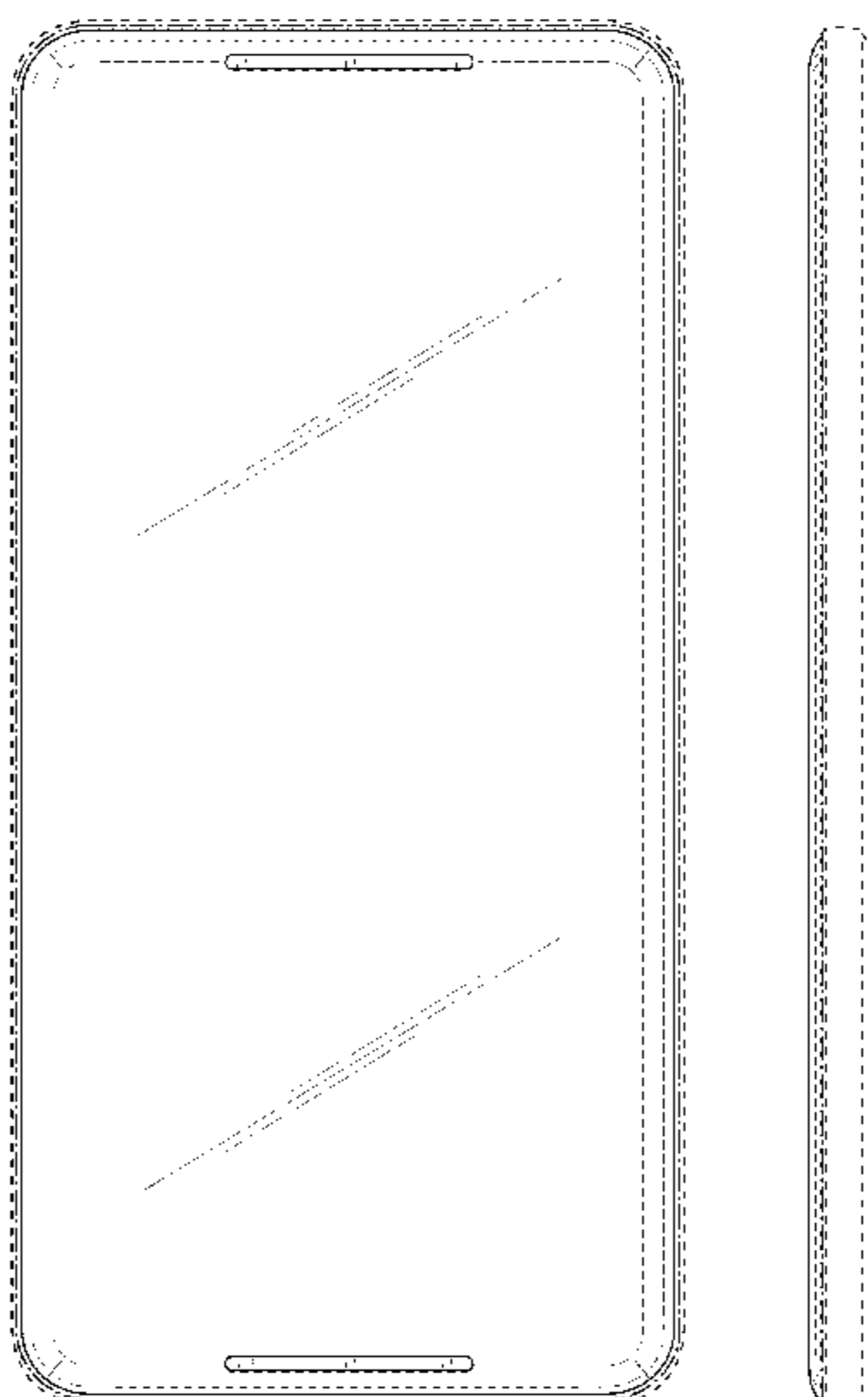
(56) **References Cited**

U.S. PATENT DOCUMENTS

D558,756 S 1/2008 Andre
D593,059 S * 5/2009 Kim D14/138 G
D595,712 S * 7/2009 Guery D14/341

(Continued)

1 Claim, 11 Drawing Sheets



(56)

References Cited

U.S. PATENT DOCUMENTS

D624,896 S * 10/2010 Park D14/138 G
 D627,343 S * 11/2010 Andre D14/203.7
 D676,819 S 2/2013 Choi
 D687,400 S 8/2013 Park
 D694,211 S * 11/2013 Yuu D14/138 G
 D700,161 S 2/2014 Yoshihara
 D720,713 S 1/2015 Huang
 D730,335 S * 5/2015 Choi D14/248
 D731,481 S * 6/2015 Akana D14/341
 D743,931 S * 11/2015 Hubbard D14/203.7
 D746,248 S * 12/2015 Arnholt D14/138 G
 D760,206 S * 6/2016 Ryu D14/248
 D762,640 S 8/2016 Yamazaki
 D766,863 S 9/2016 Huang
 D767,524 S 9/2016 Geng
 D770,411 S 11/2016 Zhang
 D774,927 S 12/2016 Jilg
 D781,807 S 3/2017 Hubbard
 D791,732 S 7/2017 Xu
 D794,594 S * 8/2017 Seo D14/138 G
 D798,260 S * 9/2017 Seo D14/138 G
 D801,947 S * 11/2017 Gordon D14/138 G
 D802,586 S 11/2017 Kim
 D808,917 S * 1/2018 Lee D14/138 G
 D812,582 S * 3/2018 Jiang D14/138 G
 D815,632 S * 4/2018 Akana D14/341
 10,069,952 B2 * 9/2018 De Wind H04M 1/0266
 D834,554 S * 11/2018 Gordon D14/138 G
 2015/0229745 A1 * 8/2015 De Wind H04M 1/0266
 455/575.8

2017/0374752 A1* 12/2017 Kim H01L 51/524
 2018/0067518 A1 3/2018 Lawrenson et al.
 2018/0164850 A1* 6/2018 Sim G06F 1/1626
 2018/0244565 A1* 8/2018 Paulson C03C 17/225
 2018/0286924 A1* 10/2018 Lee G06F 3/0412
 2018/0295222 A1* 10/2018 Jung H04M 1/0266
 2018/0375974 A1* 12/2018 De Wind H04M 1/0266

FOREIGN PATENT DOCUMENTS

CN 304104346 4/2017
 CN 304333125 10/2017

OTHER PUBLICATIONS

Nokia 2.1, Aug. 2018, [online], [site visited Jan. 24, 2019]. Retrieved from url:https://www.gsmarena.com/nokia_2_1-pictures-9216.php (Year: 2018).*

LG Nexus 5X, Oct. 2015, [online], [site visited Jan. 24, 2019]. Retrieved from url:https://www.gsmarena.com/lg_nexus_5x-pictures-7556.php (Year: 2015).*

U.S. Appl. No. 29/604,924; Phone; Yoshimichi Matsuoka et al., filed May 22, 2017.

Office Action dated Aug. 30, 2018, for U.S. Appl. No. 29/604,924.

Google Pixel 2 XL, Oct. 2017, url:https://www.gsmarena.com/google_pixel_2_xl-pictures-8720.php (Year: 2017).

Google Pixel 2, Oct. 2017, [online], url:https://www.gsmarena.com/google_pixel_2-pictures-8733.php (Year: 2017).

* cited by examiner

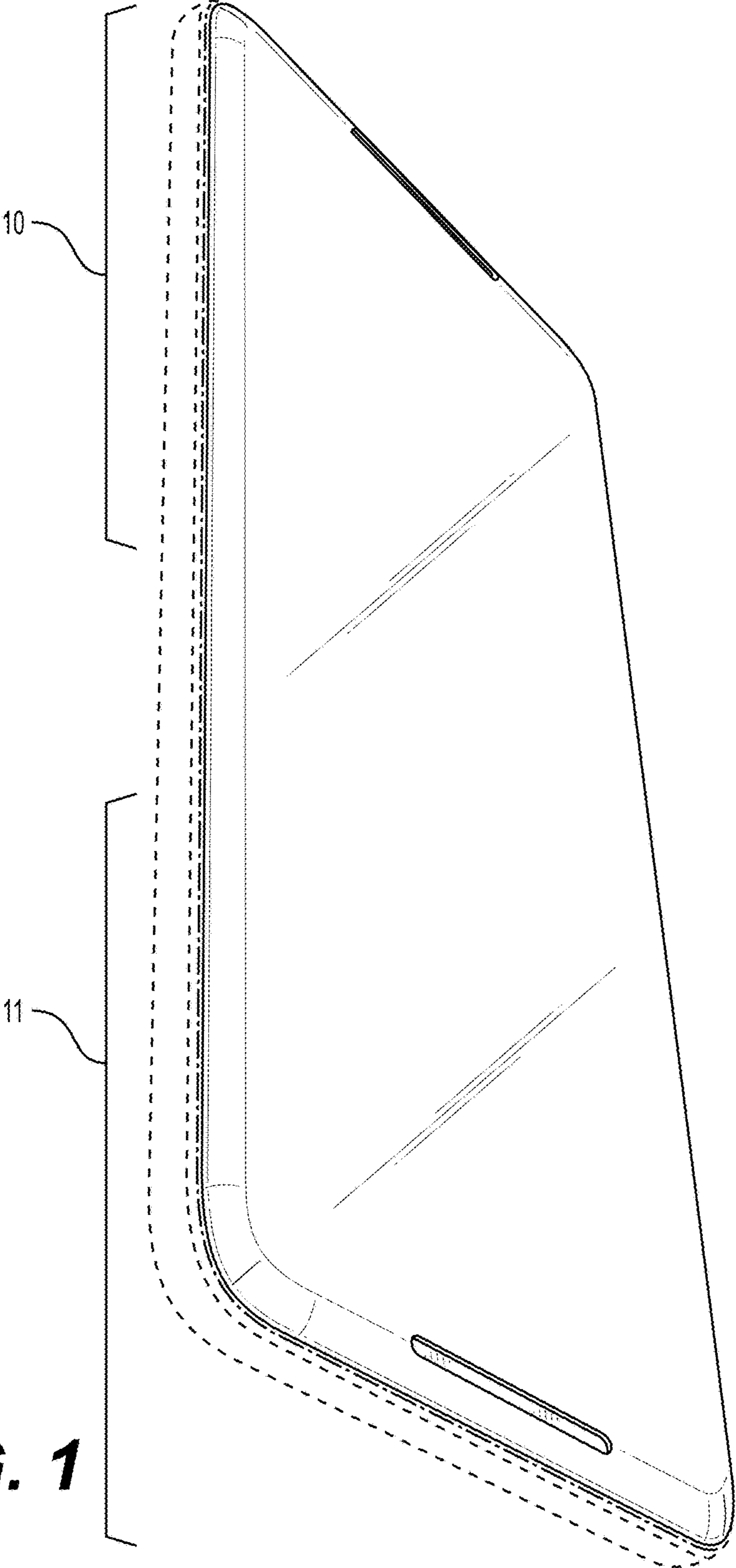


FIG. 1

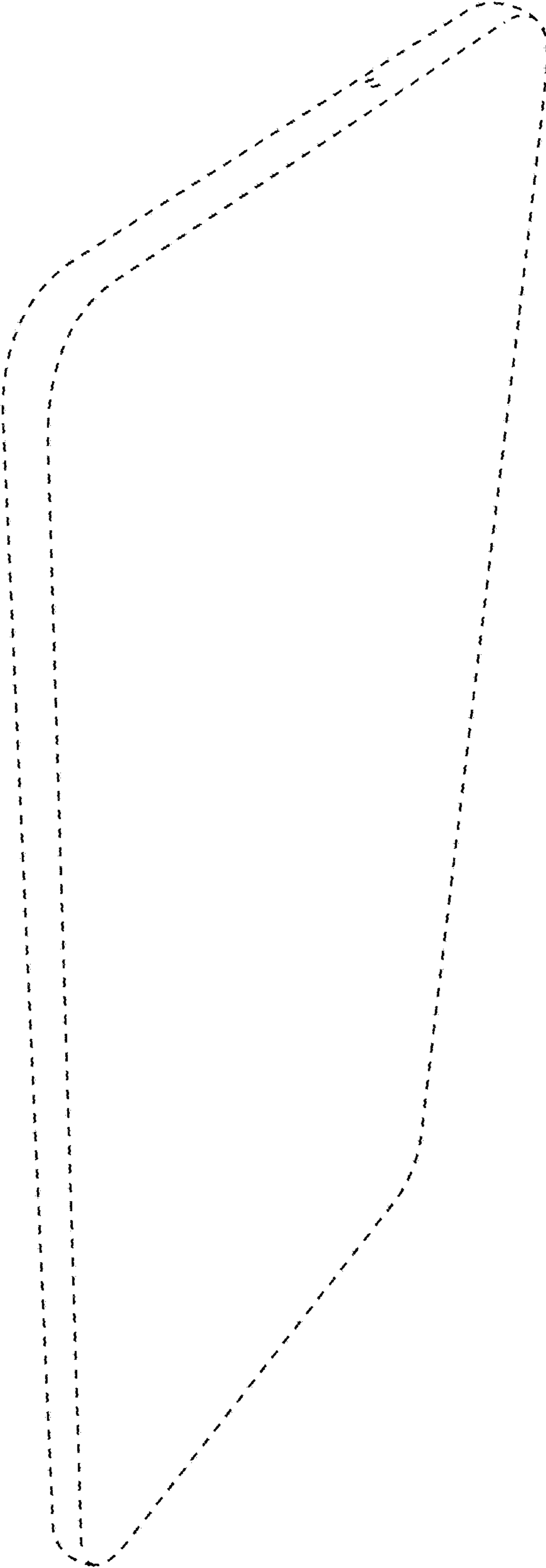


FIG. 2

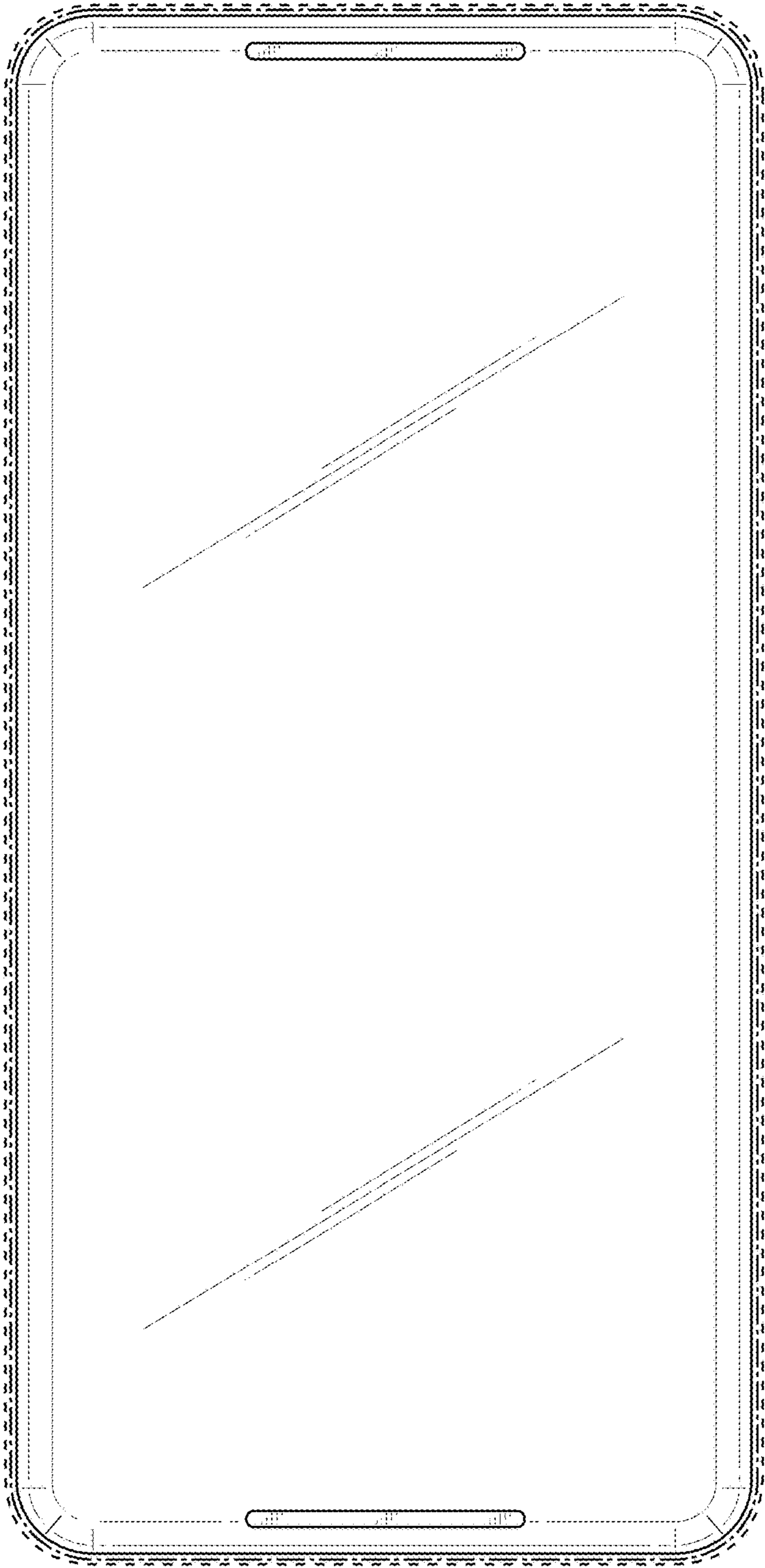


FIG. 3



FIG. 4

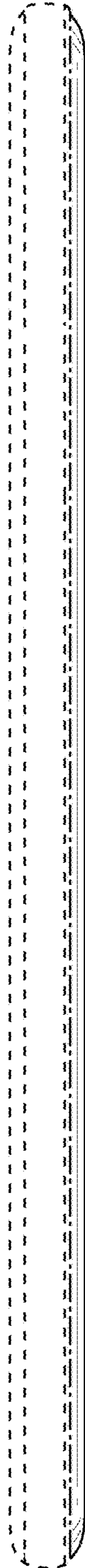


FIG. 5

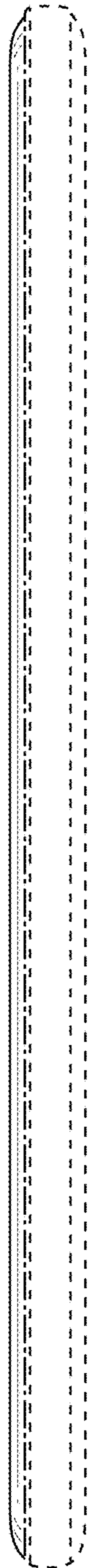


FIG. 6

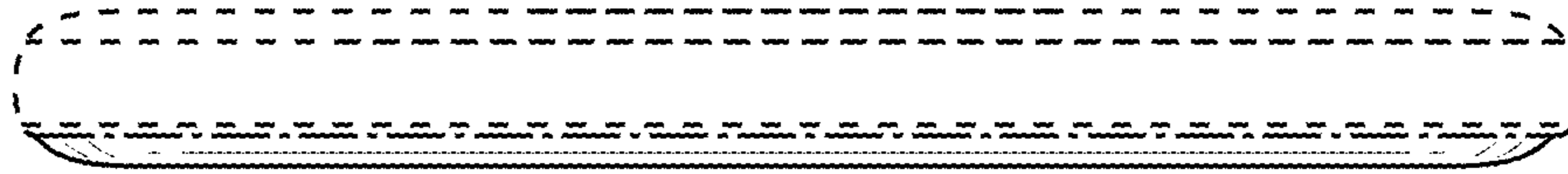


FIG. 7

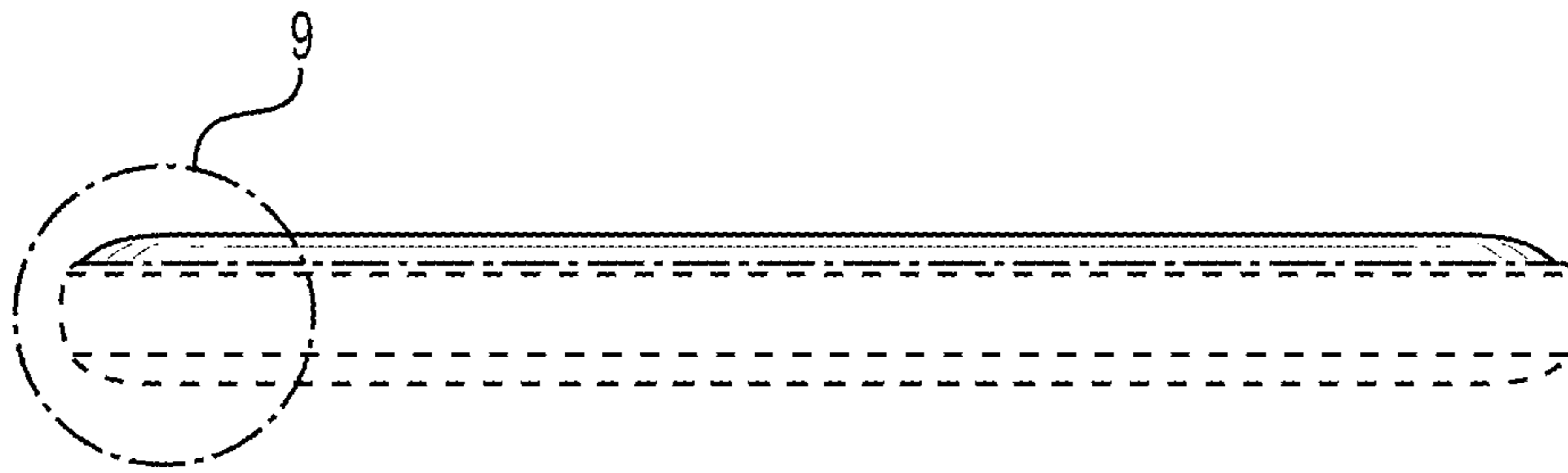


FIG. 8

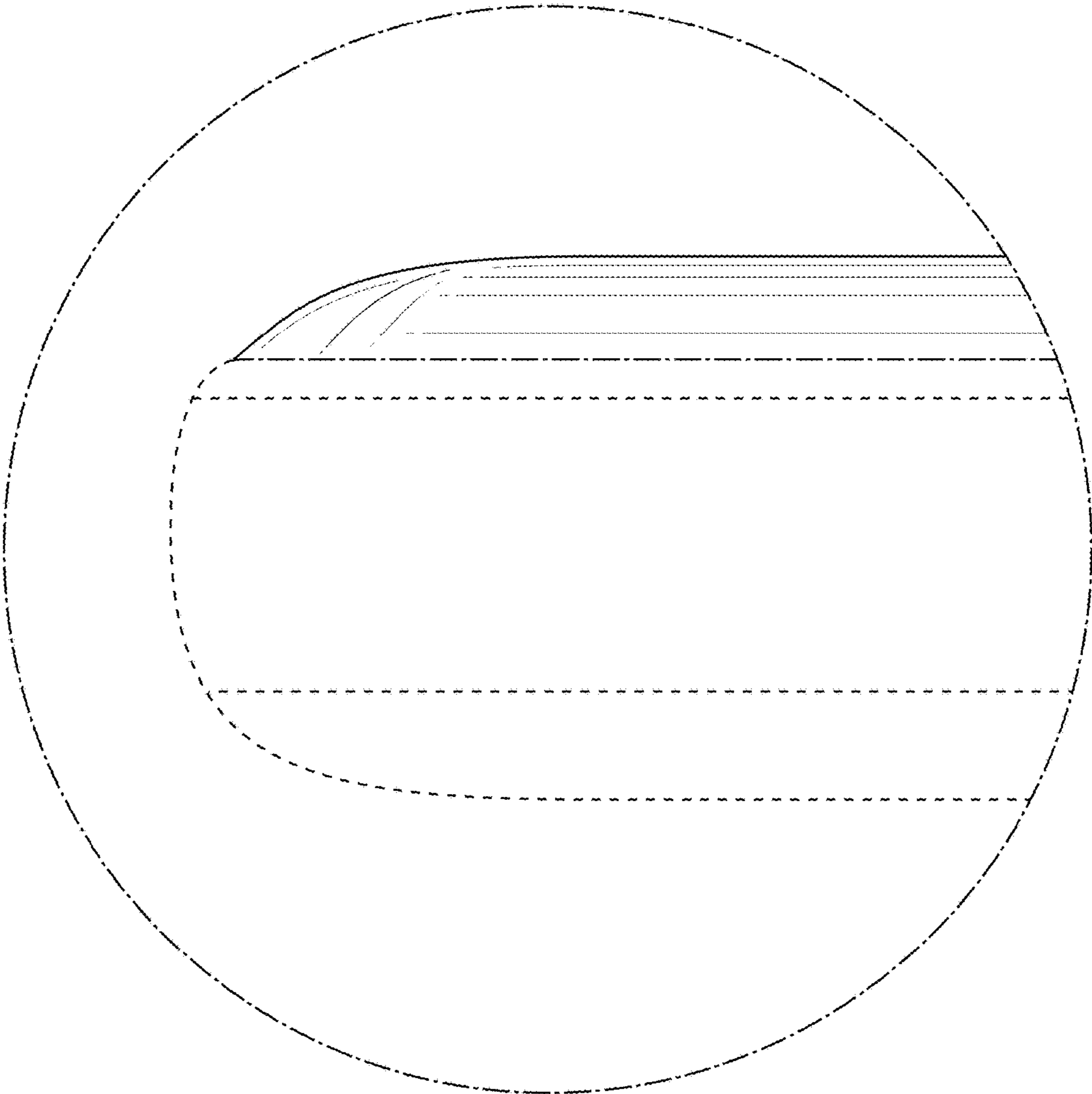


FIG. 9

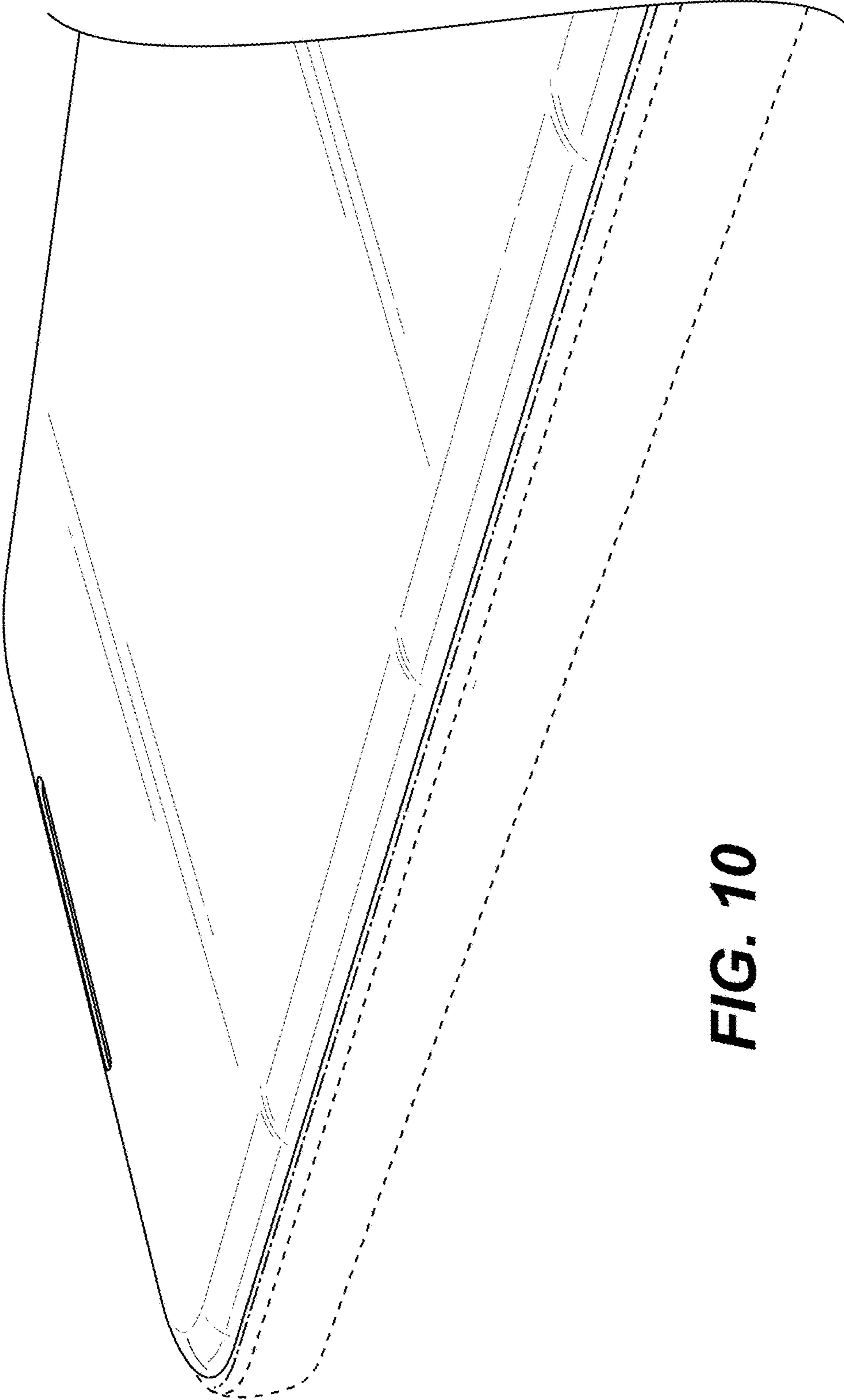


FIG. 10

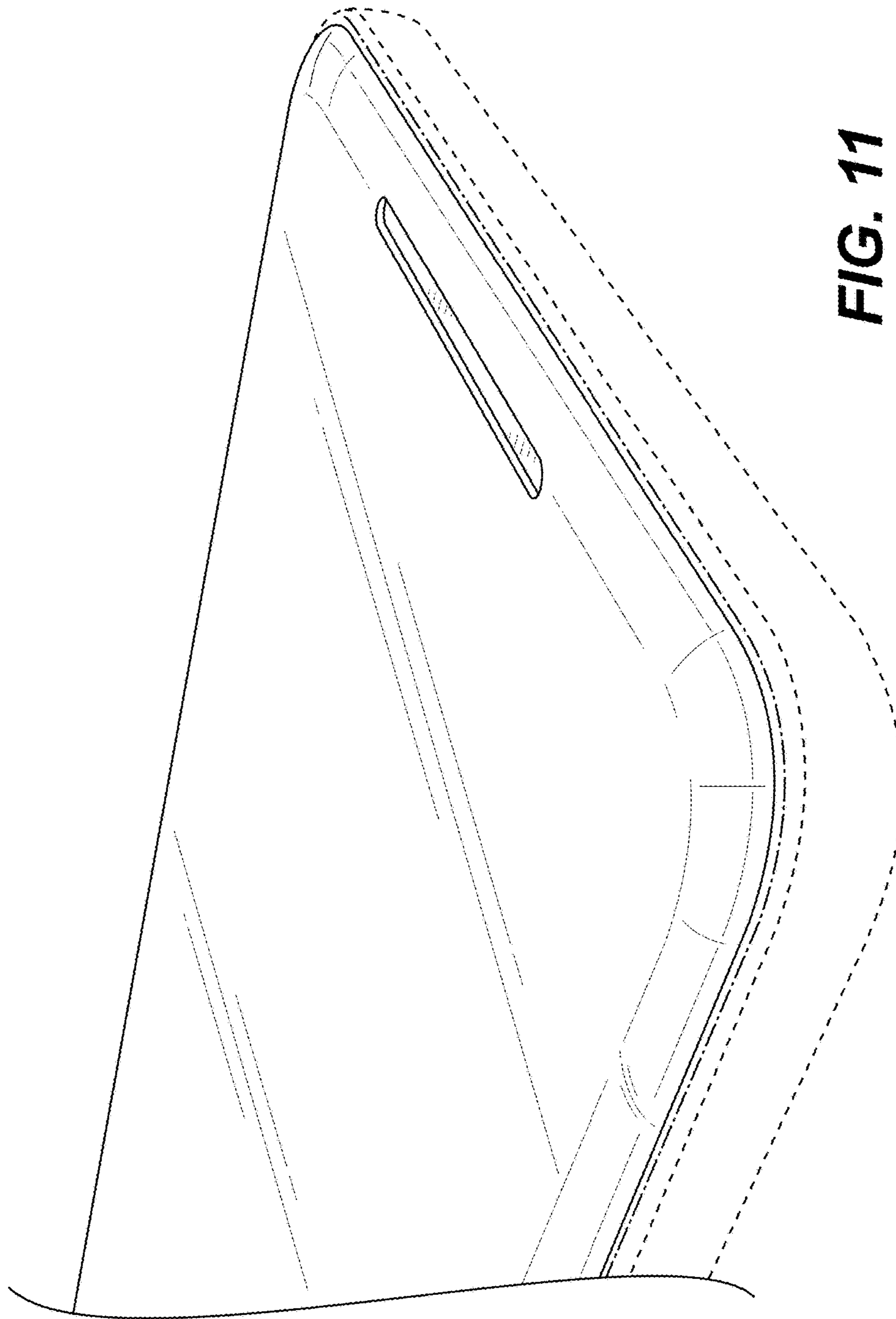


FIG. 11