



US00D853366S

(12) **United States Design Patent** (10) **Patent No.:** **US D853,366 S**
Williams et al. (45) **Date of Patent:** **** Jul. 9, 2019**

(54) **MOUNTING APPARATUS**

(56) **References Cited**

(71) Applicant: **QuirkLogic, Inc.**, Calgary (CA)

U.S. PATENT DOCUMENTS

(72) Inventors: **Patrick Douglas Henry Williams**,
Ottawa (CA); **James Patrick Henderson**,
Ottawa (CA); **Duncan James Gibbons**,
Ottawa (CA)

7,537,189	B2	5/2009	Jung et al.	
D640,122	S *	6/2011	Stearns	D14/239
8,154,885	B2	4/2012	Anderson	
9,125,502	B2	9/2015	Gwag	
D749,549	S	2/2016	Wengreen	
9,408,465	B2	8/2016	Dowling et al.	
D767,973	S	10/2016	DeDios-Shirley et al.	
9,765,923	B2 *	9/2017	Skull	G06F 1/16
10,047,902	B2 *	8/2018	Lukach	F16M 13/02
2012/0312950	A1 *	12/2012	Sears	F16M 11/041 248/316.5

(73) Assignee: **QuirkLogic, Inc.**, Calgary (CA)

(**) Term: **15 Years**

* cited by examiner

(21) Appl. No.: **29/664,796**

Primary Examiner — Randall H Gholson

(22) Filed: **Sep. 27, 2018**

(74) *Attorney, Agent, or Firm* — Chamberlain, Hrdlicka,
White, Williams & Aughtry

Related U.S. Application Data

(57) **CLAIM**

The ornamental design for a mounting apparatus, as shown and described.

(62) Division of application No. 29/589,372, filed on Dec. 30, 2016, now Pat. No. Des. 832,828.

DESCRIPTION

(51) **LOC (11) Cl.** **14-03**

FIG. 1 is a front perspective view of a mounting apparatus showing our new design;

(52) **U.S. Cl.**
USPC **D14/239**

FIG. 2 is a back perspective view of a mounting apparatus of FIG. 1;

(58) **Field of Classification Search**
USPC D14/125-134, 239, 371, 136, 374-377,
D14/440, 450, 448, 336, 342, 159;
312/7.2; 348/836, 838, 180, 184, 325,
348/739; 248/917-924, 465; 345/104,
345/133, 156, 168, 87, 173; D21/329,
D21/515, 577, 622, 333, 433, 448, 452,
D21/450, 331, 505; D10/15, 26;
446/484, 175, 356; D6/477, 479, 300;
D24/185; D34/14; D8/348

FIG. 3 is a right side view of the mounting apparatus of FIG. 1;

FIG. 4 is a left side view of the mounting apparatus of FIG. 1;

FIG. 5 is a front view of the mounting apparatus of FIG. 1;

FIG. 6 is a rear view of the mounting apparatus of FIG. 1;

FIG. 7 is a top view of the mounting apparatus of FIG. 1; and,

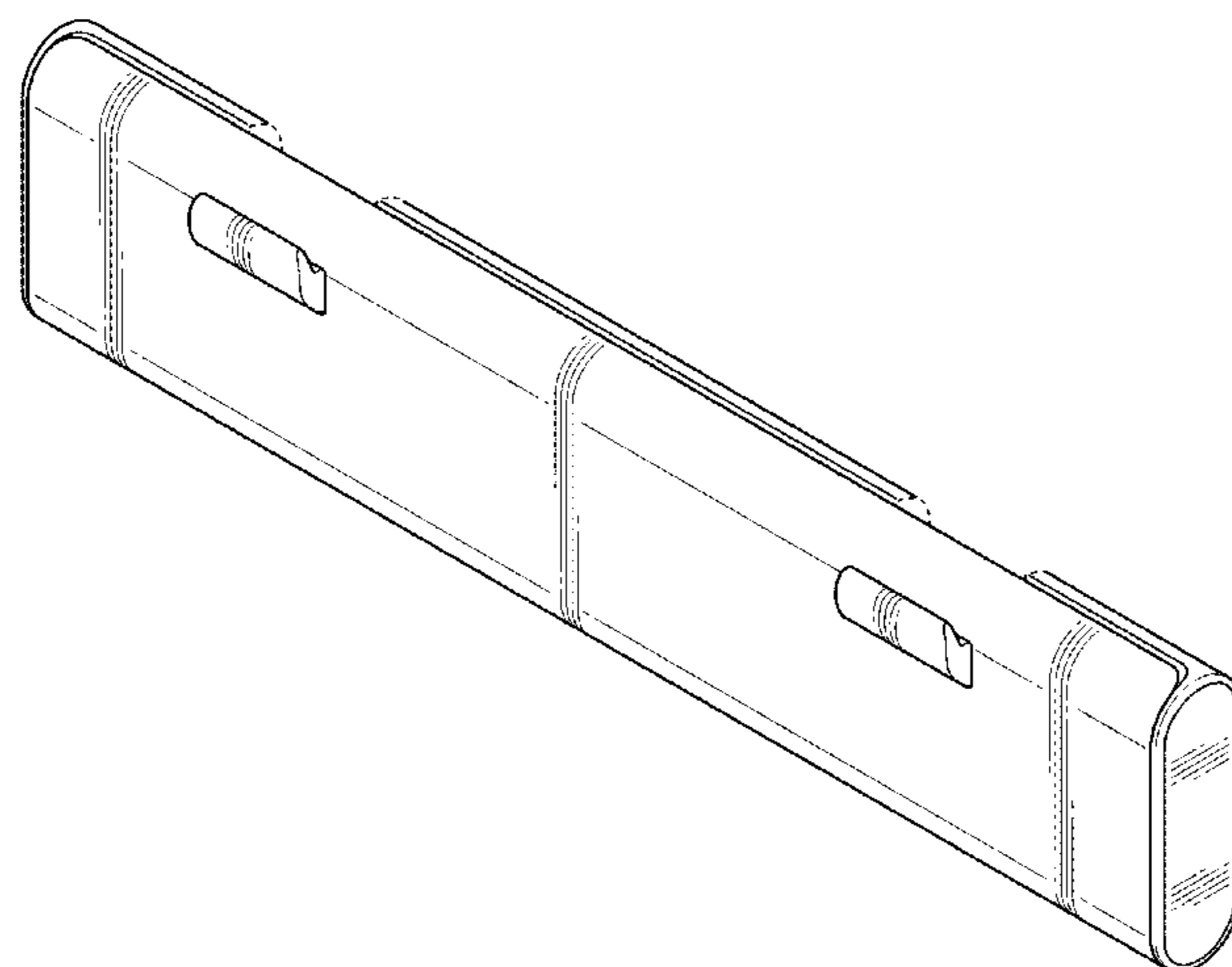
FIG. 8 is a bottom view of the mounting apparatus of FIG. 1.

CPC ... G06F 1/1601; G06F 1/1643; H05K 5/0004;
H05K 5/0017; H05K 5/02; H05K 5/0217

The broken lines depict unclaimed portions of the mounting apparatus and form no part of the claimed design.

See application file for complete search history.

1 Claim, 4 Drawing Sheets



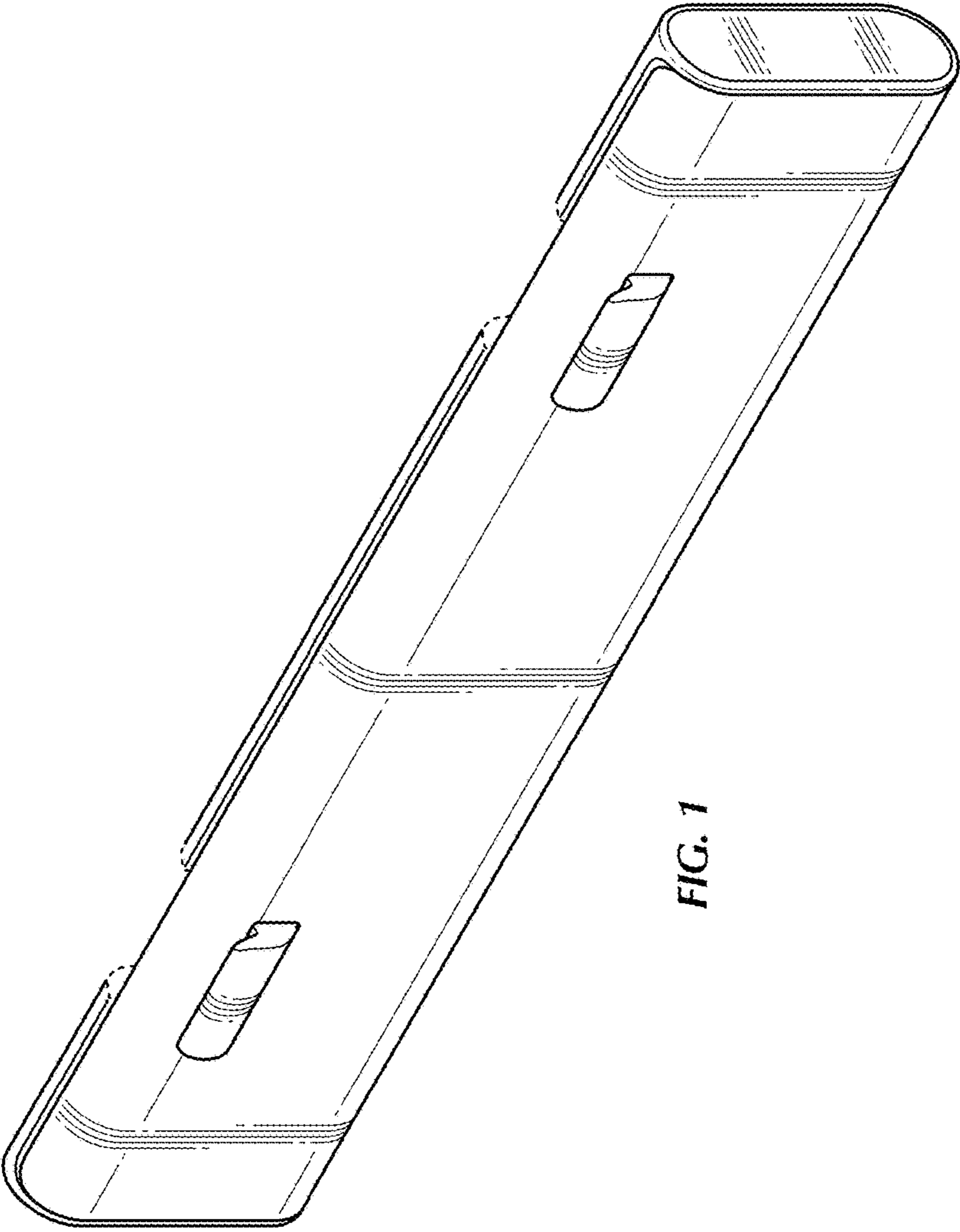


FIG. 1

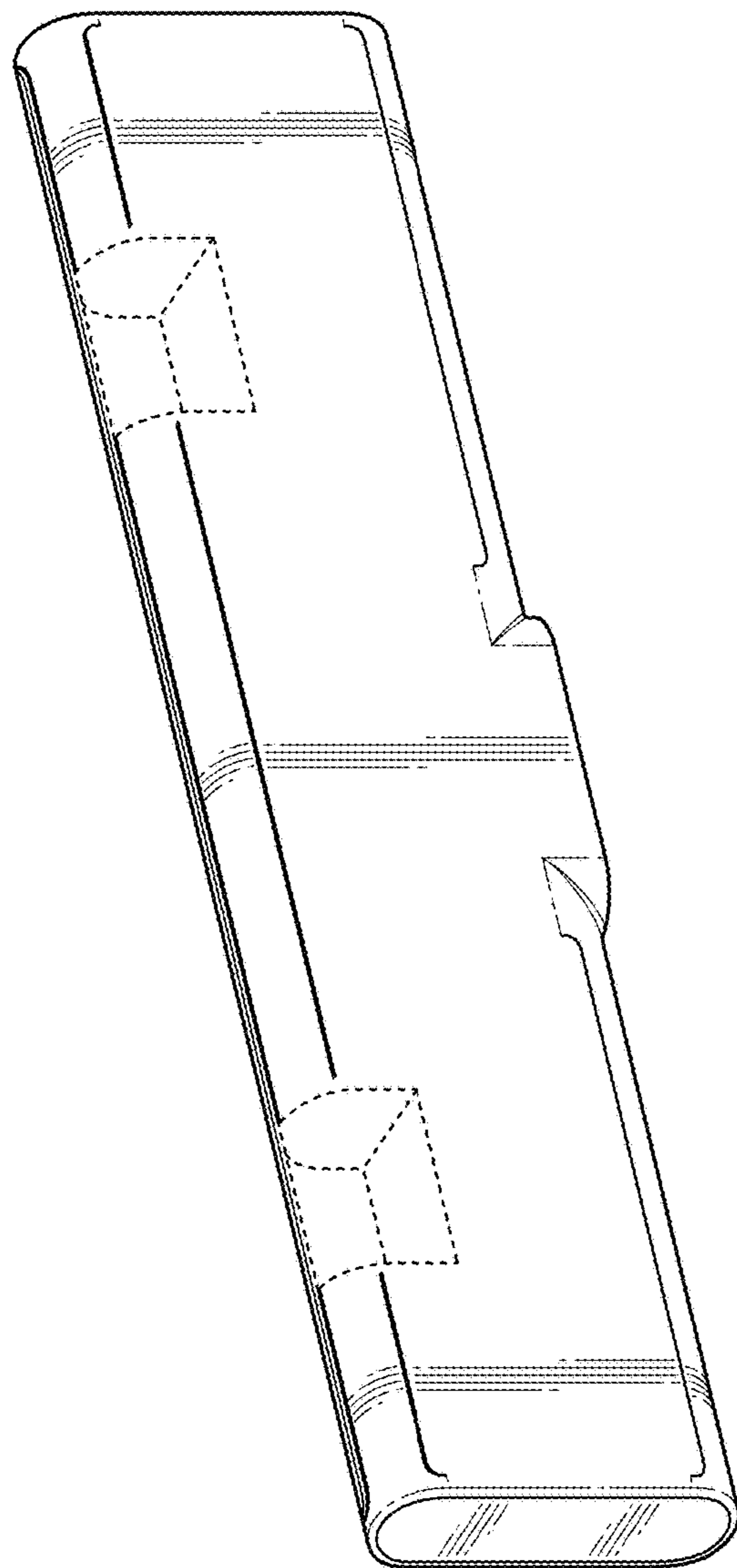


FIG. 2

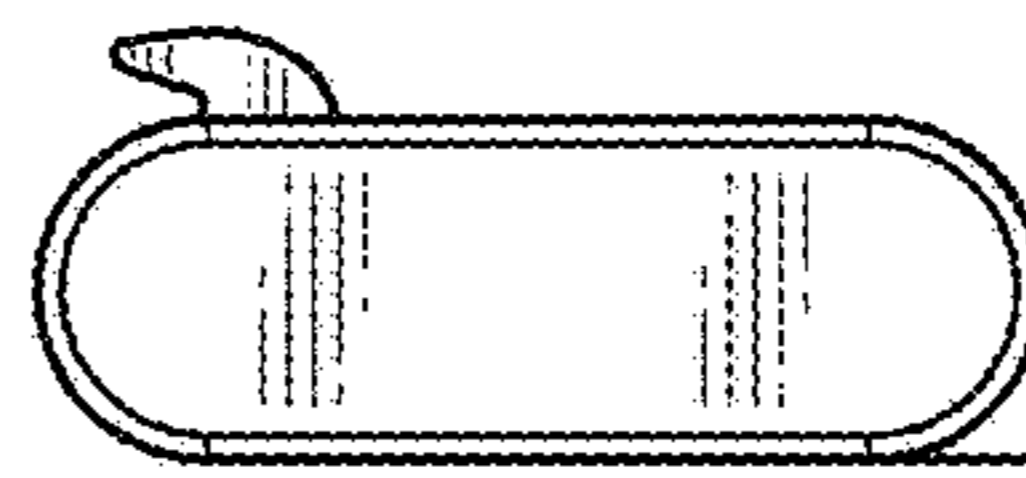


FIG. 3

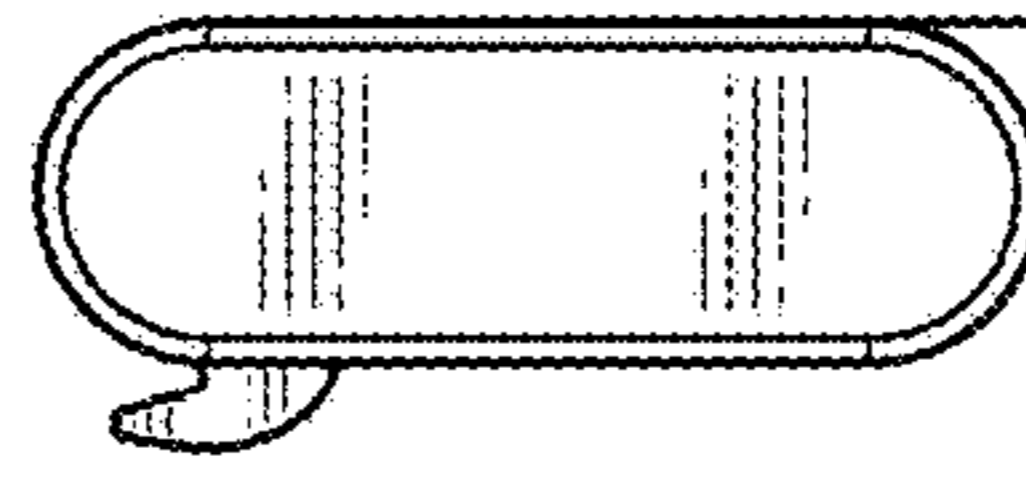


FIG. 4

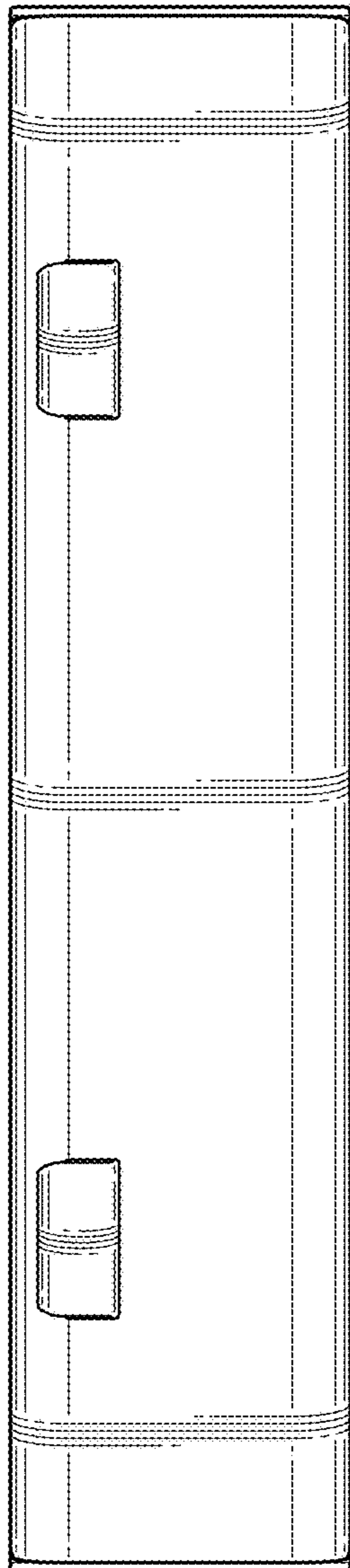


FIG. 5

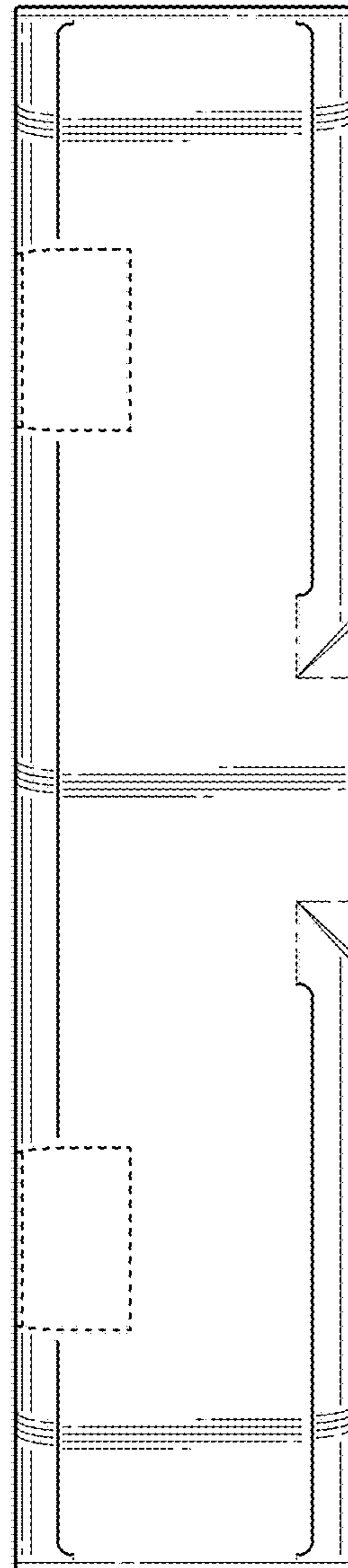


FIG. 6

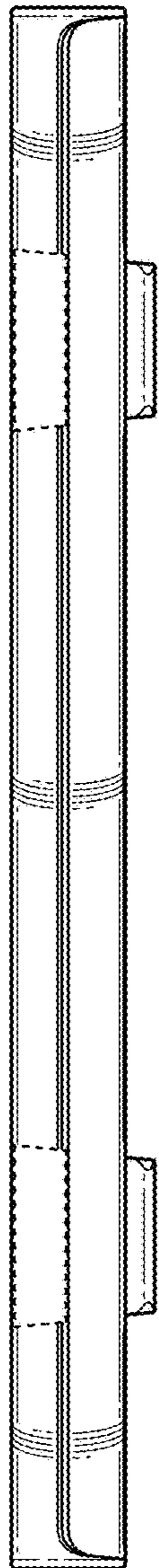


FIG. 7

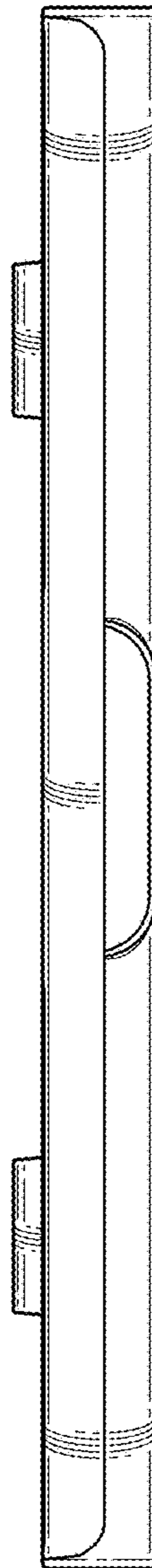


FIG. 8