



US00D853365S

(12) **United States Design Patent** (10) **Patent No.:** **US D853,365 S**
Seong et al. (45) **Date of Patent:** **** Jul. 9, 2019**

(54) **TELEVISION RECEIVER**

(74) *Attorney, Agent, or Firm* — NSIP Law

(71) Applicant: **Samsung Electronics Co., Ltd.**,
Suwon-si (KR)

(57) **CLAIM**

We claim the ornamental design for a television receiver, as shown and described.

(72) Inventors: **Bo-Kyung Seong**, Daejeon-Si (KR);
Sung-Jin Ann, Seoul (KR); **Gil-Jae Lee**, Seoul (KR); **Won-Chul Hwang**,
Seoul (KR)

DESCRIPTION

(73) Assignee: **Samsung Electronics Co., Ltd.**,
Suwon-si (KR)

(**) Term: **15 Years**

FIG. 1 is a front perspective view of a first embodiment of a television receiver showing our new design;
FIG. 2 is a front view thereof;
FIG. 3 is a rear view thereof;
FIG. 4 is a left-side view thereof;
FIG. 5 is a right-side view thereof;
FIG. 6 is a top view thereof;
FIG. 7 is a bottom view thereof;
FIG. 8 is a rear perspective view thereof;
FIG. 9 is a front perspective view of the stand portion;
FIG. 10 is a front view of FIG. 9;
FIG. 11 is a rear view of FIG. 9;
FIG. 12 is a left-side view of FIG. 9;
FIG. 13 is a right-side view of FIG. 9;
FIG. 14 is a top view of FIG. 9;
FIG. 15 is a bottom view of FIG. 9;
FIG. 16 is a rear perspective view of FIG. 9;
FIG. 17 is a front perspective view of a second embodiment of a television receiver showing our new design;
FIG. 18 is a front view thereof;
FIG. 19 is a rear view thereof;
FIG. 20 is a left-side view thereof;
FIG. 21 is a right-side view thereof;
FIG. 22 is a top view thereof;
FIG. 23 is a bottom view thereof;
FIG. 24 is a rear perspective view thereof;
FIG. 25 is a front perspective view of the stand portion;
FIG. 26 is a front view of FIG. 25;
FIG. 27 is a rear view of FIG. 25;
FIG. 28 is a left-side view of FIG. 25;
FIG. 29 is a right-side view of FIG. 25;
FIG. 30 is a top view of FIG. 25;
FIG. 31 is a bottom view of FIG. 25; and,
FIG. 32 is a rear perspective view of FIG. 25.
The broken lines in the figures show portions of the television receiver which form no part of the claimed design.

(21) Appl. No.: **29/638,249**

(22) Filed: **Feb. 26, 2018**

(30) **Foreign Application Priority Data**

Sep. 1, 2017 (KR) 30-2017-0040934
Jan. 5, 2018 (KR) 30-2018-0000858

(51) **LOC (11) Cl.** **14-03**

(52) **U.S. Cl.**
USPC **D14/239**

(58) **Field of Classification Search**
USPC D14/125-134, 239, 371, 136, 374-377,
D14/440, 450, 448, 336, 342, 159;
(Continued)

(56) **References Cited**

U.S. PATENT DOCUMENTS

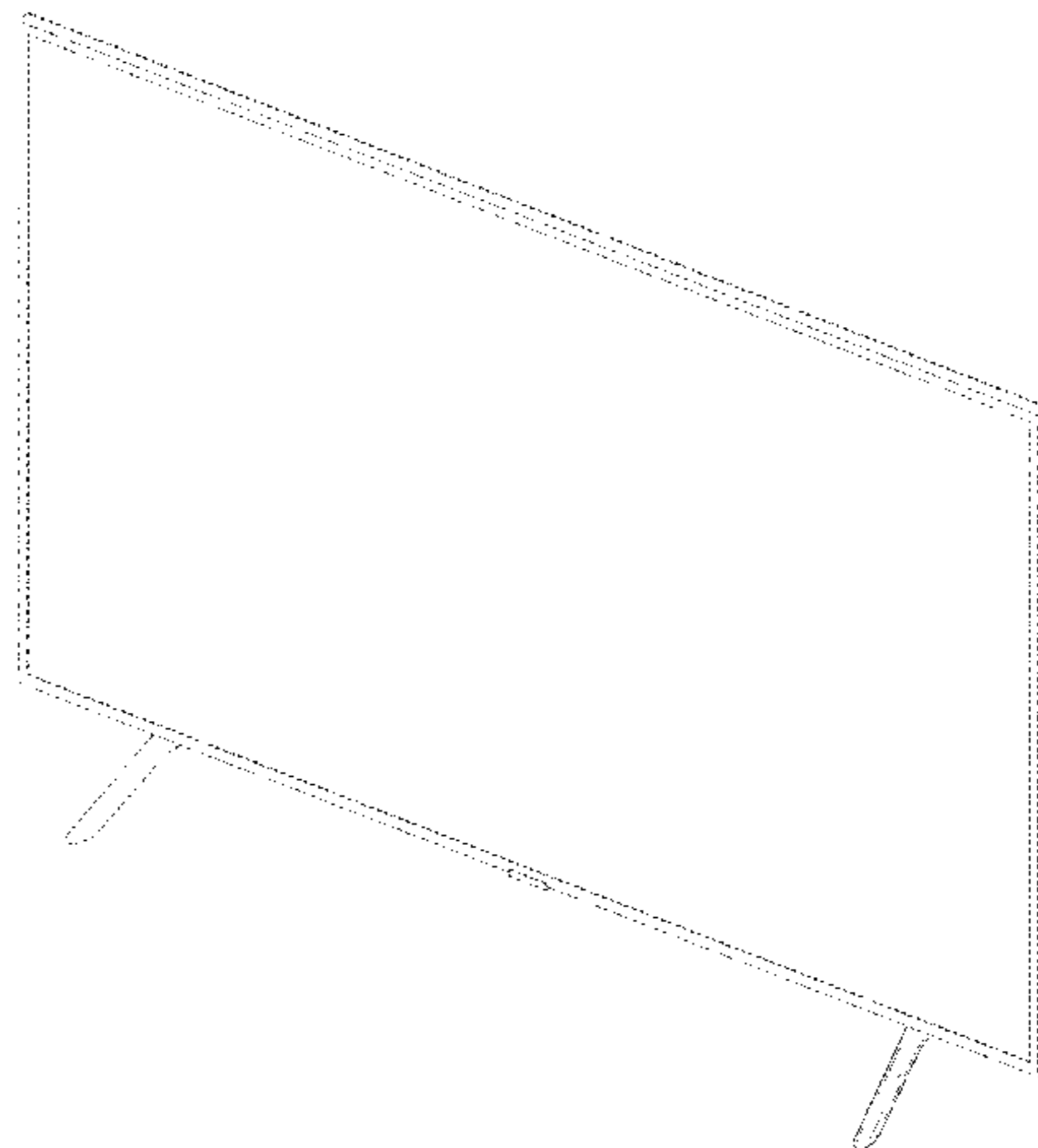
D705,200 S * 5/2014 Choi D14/239
D728,527 S * 5/2015 Kim D14/217
(Continued)

FOREIGN PATENT DOCUMENTS

CN 20143026892129 2/2015
CN 2014303805022 4/2015
(Continued)

Primary Examiner — Randall H Gholson

(Continued)



The dot-dash broken lines define a boundary of the claimed design and form no part of the claimed design.

1 Claim, 32 Drawing Sheets

(58) Field of Classification Search

USPC 312/7.2; 348/836, 838, 180, 184, 325,
348/739; 248/917-924, 465; 345/104,
345/133, 156, 168, 87, 173; D21/329,
D21/515, 577, 622, 333, 433, 448, 452,
D21/450, 331, 505; D10/15, 26;
446/484, 175, 356; D6/477, 479, 300;
D20/10, 19, 39; D16/203, 241; 160/24
CPC G06F 1/1601; G06F 1/1643; G06F 1/1652;
G06F 1/1647; G06F 3/0412; H05K
5/0004; H05K 5/0017; H05K 5/02; H05K
5/0217; H04N 13/0459

See application file for complete search history.

(56) References Cited

U.S. PATENT DOCUMENTS

D741,273 S * 10/2015 Huh D14/126
D746,825 S * 1/2016 Kang D14/451
D761,237 S * 7/2016 Moon D14/239

FOREIGN PATENT DOCUMENTS

CN 2015303167863 1/2016
KR 30-2014-0000872 9/2014
WO DM/090 908 5/2016

* cited by examiner

FIG. 1

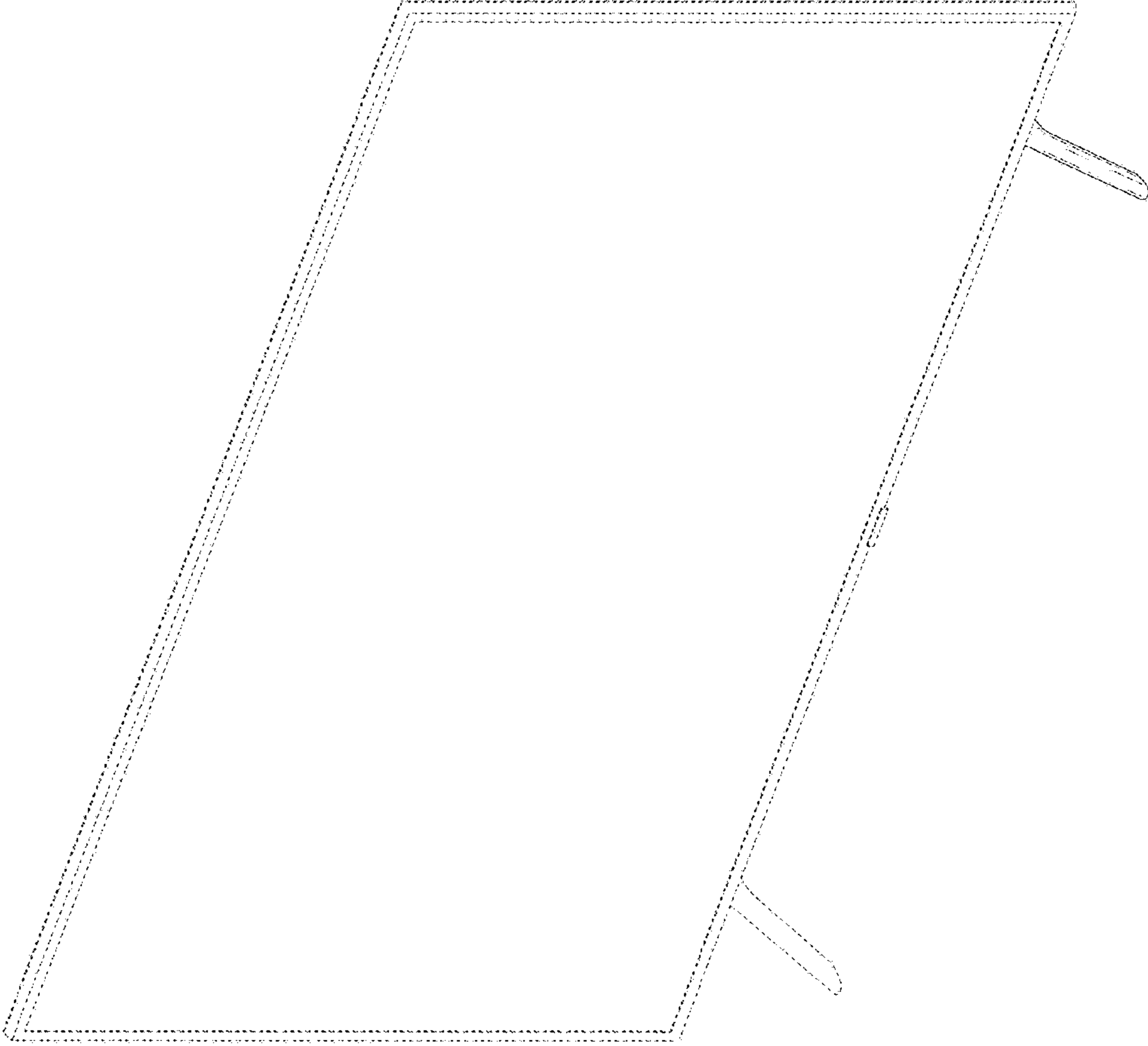


FIG. 2

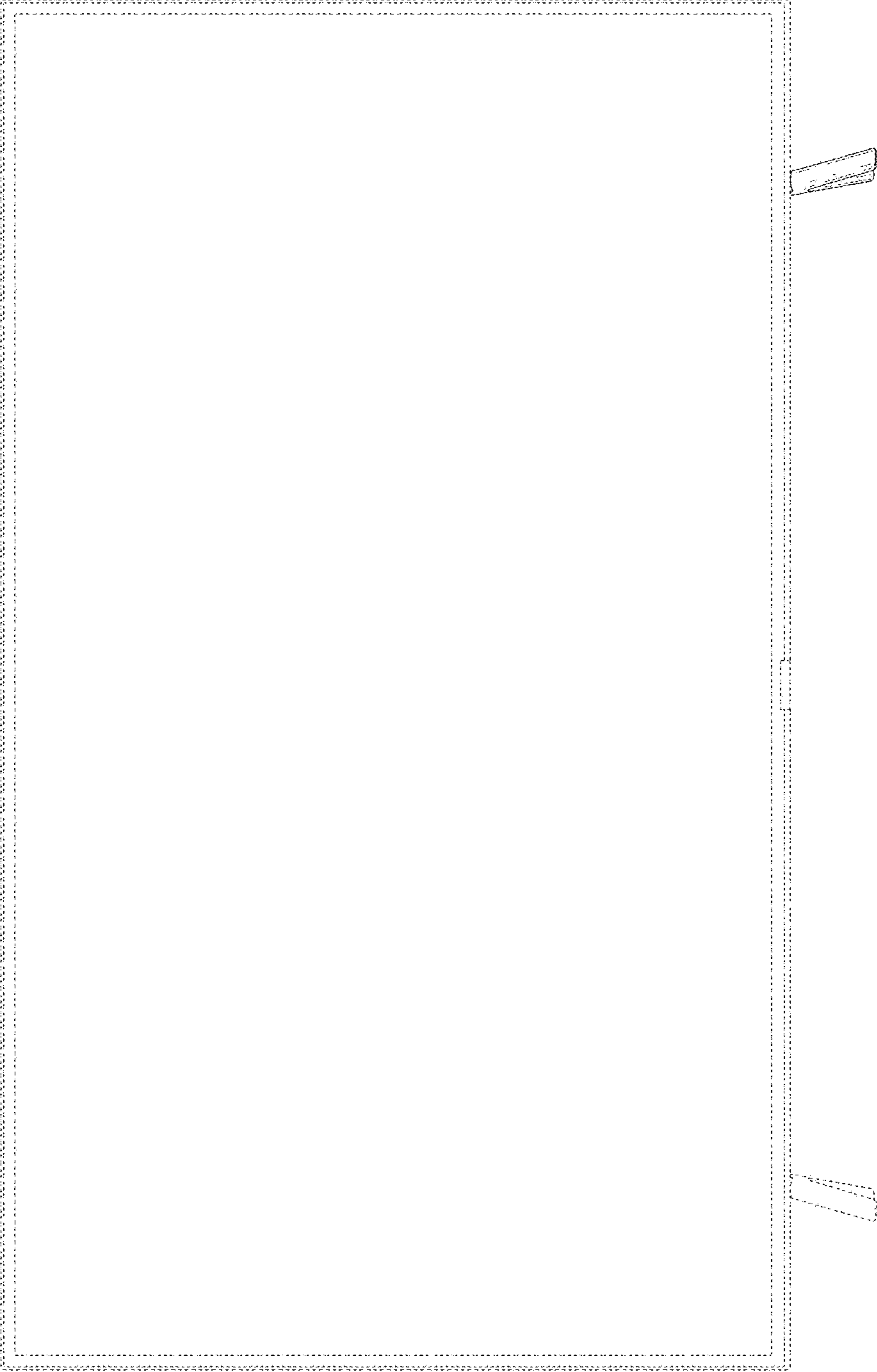


FIG. 3

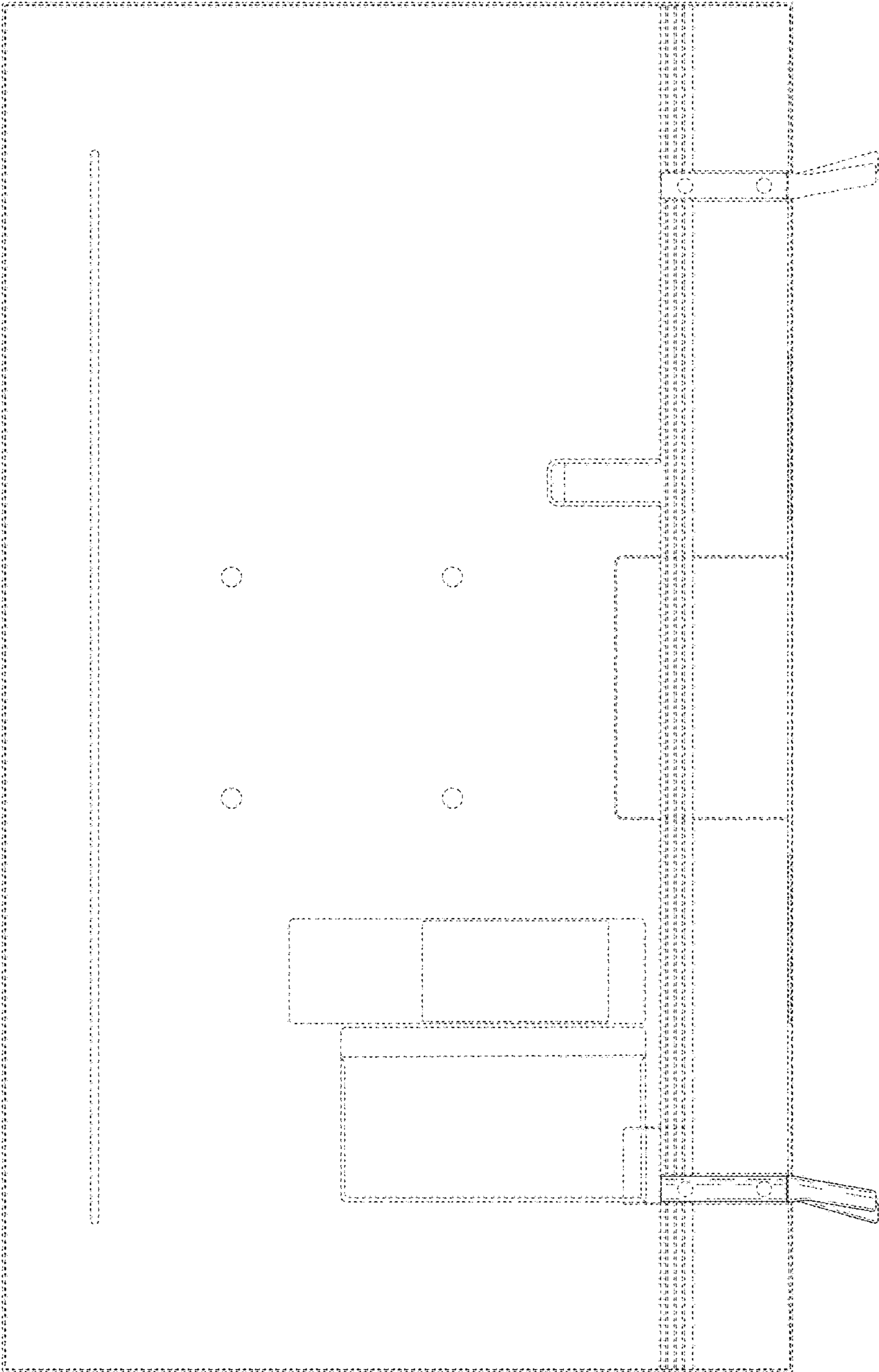


FIG. 4

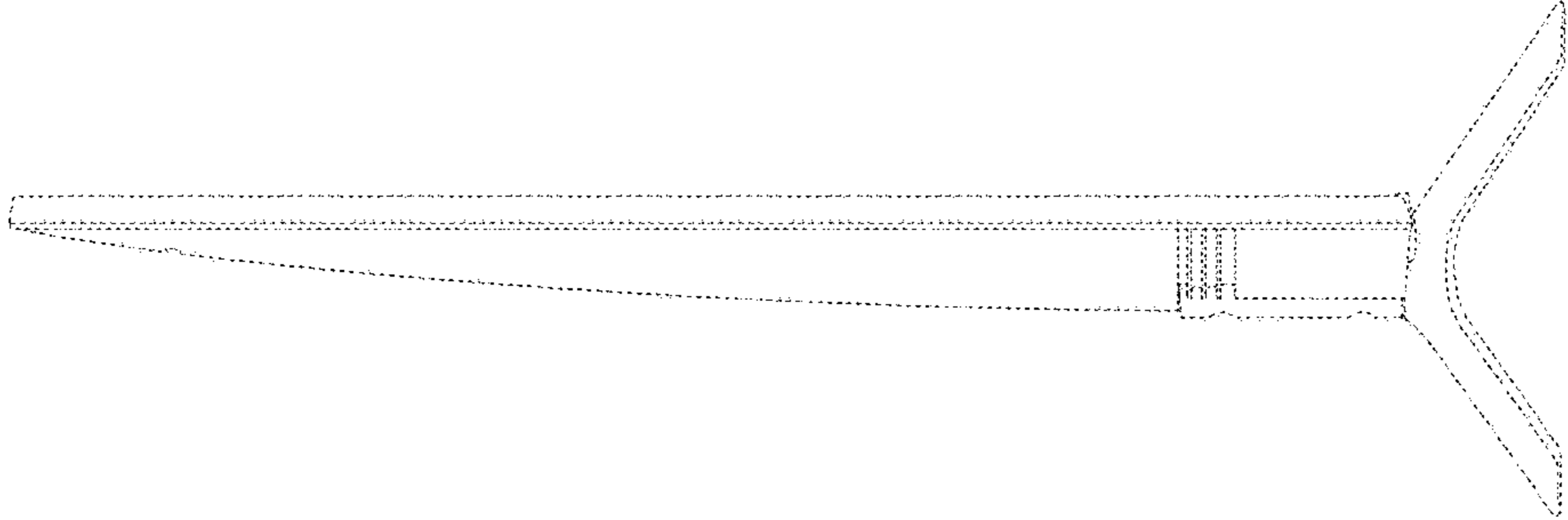


FIG. 5

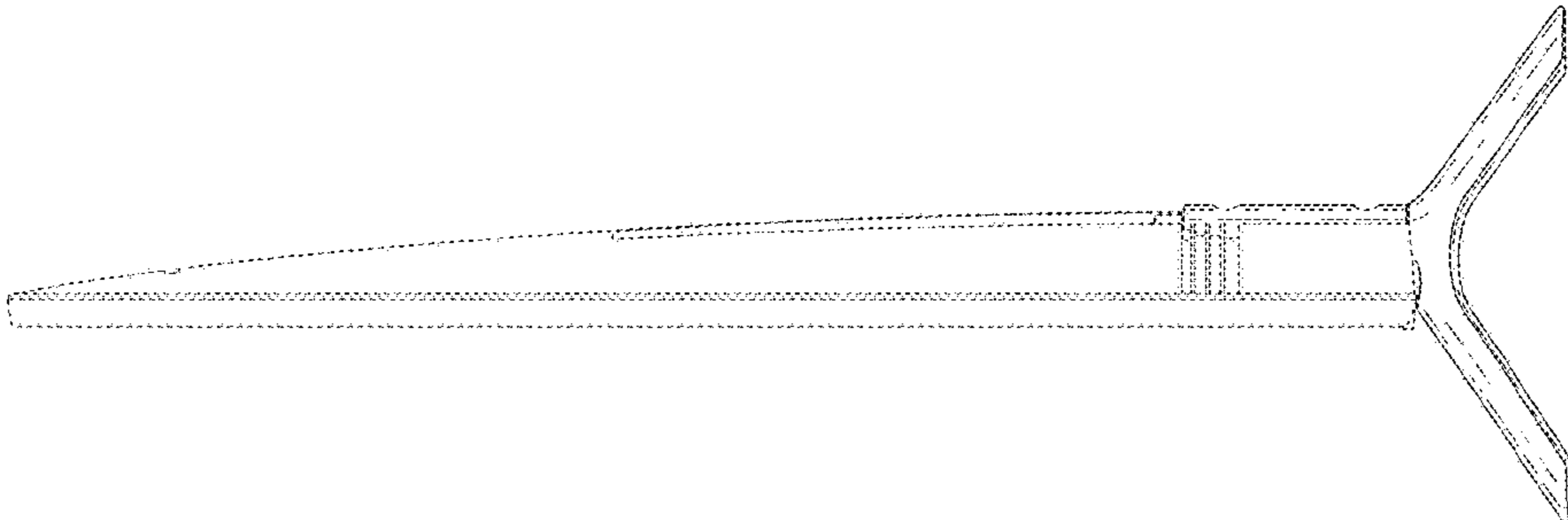


FIG. 6

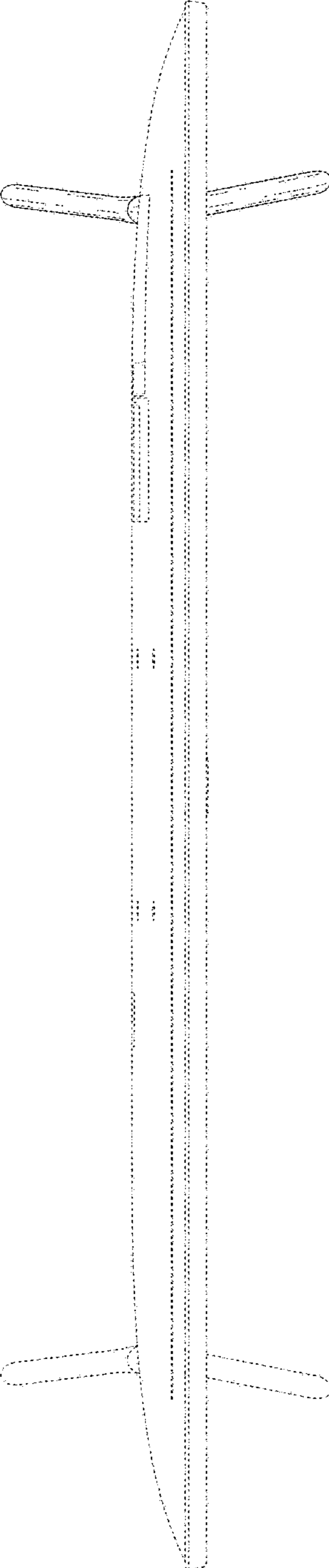


FIG. 7

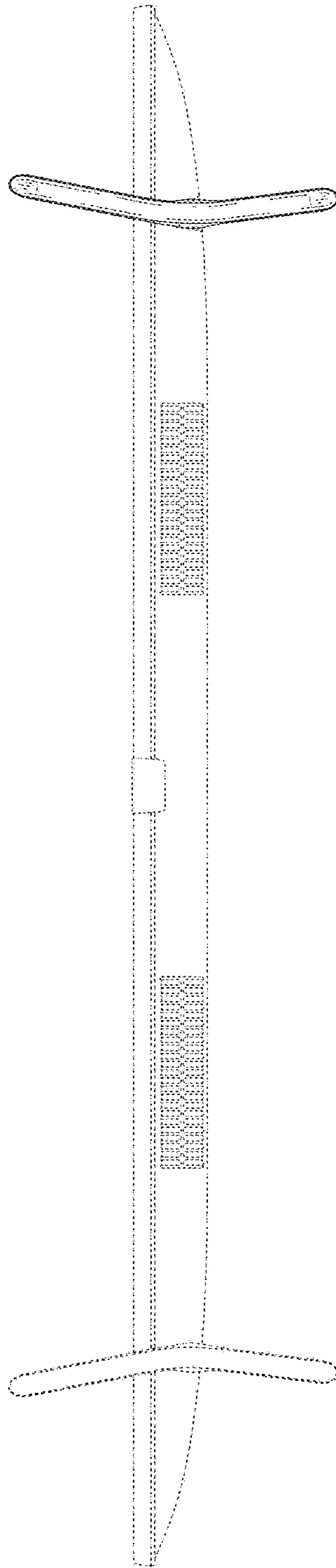


FIG. 8

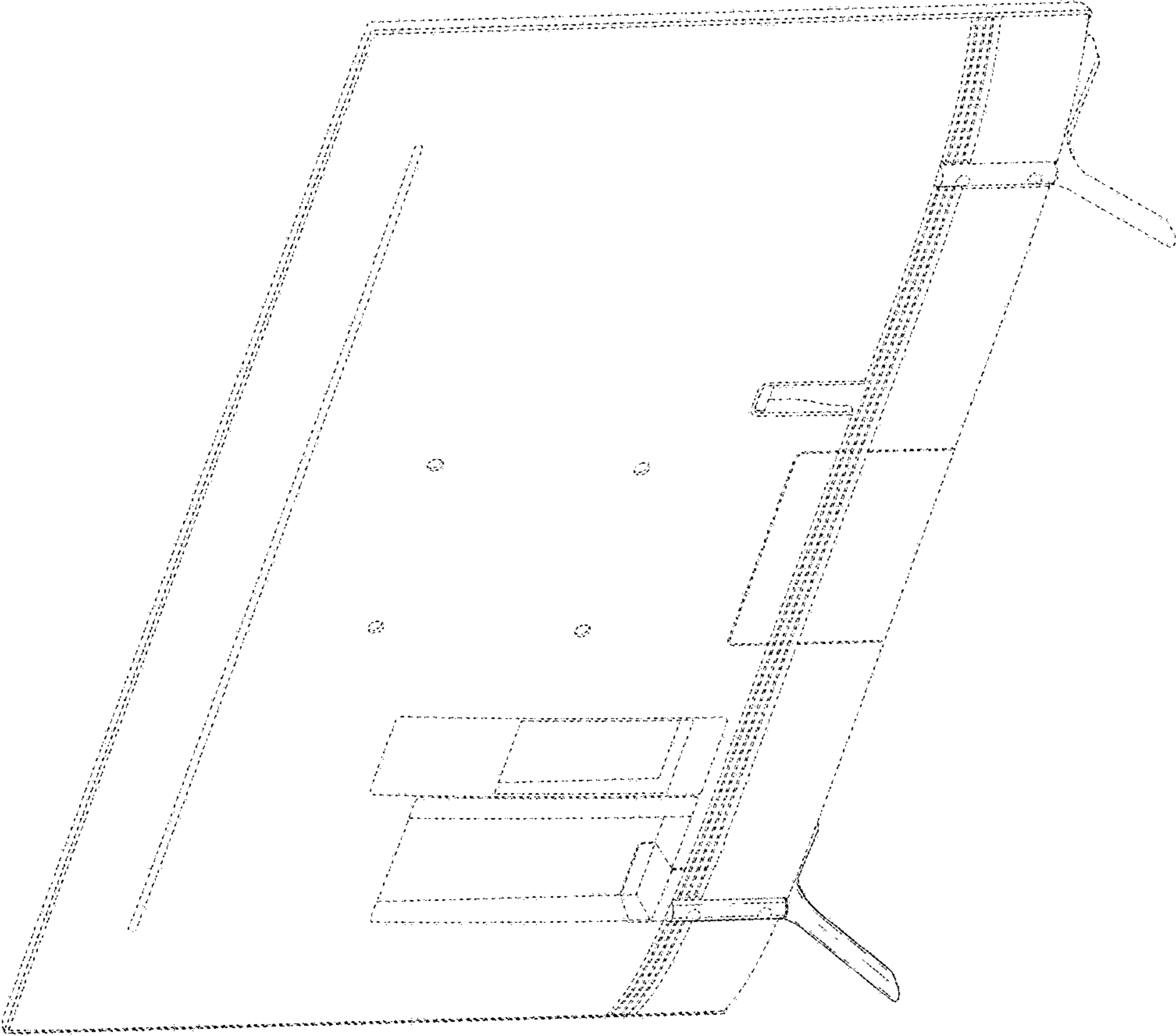


FIG. 9

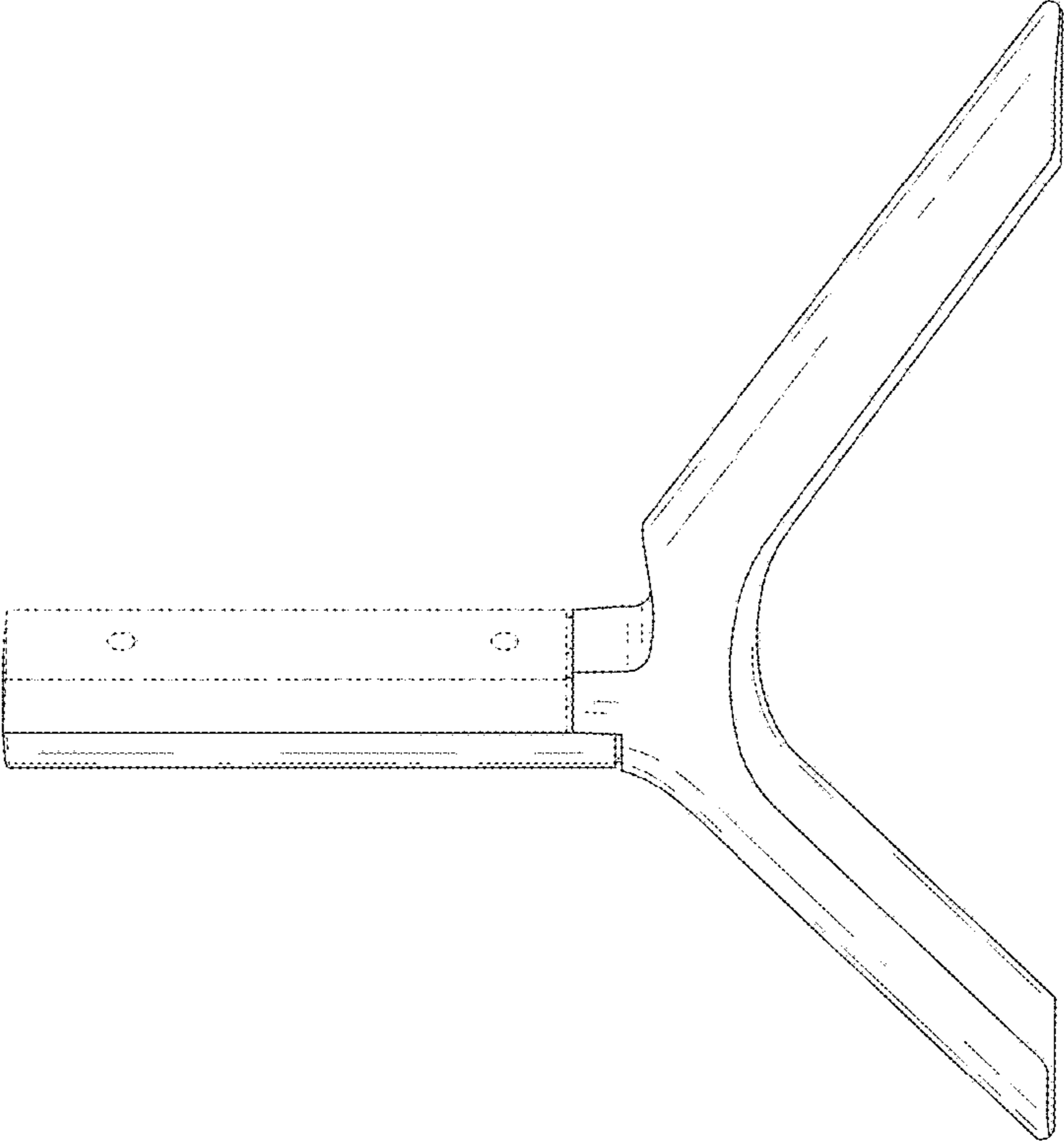


FIG. 10

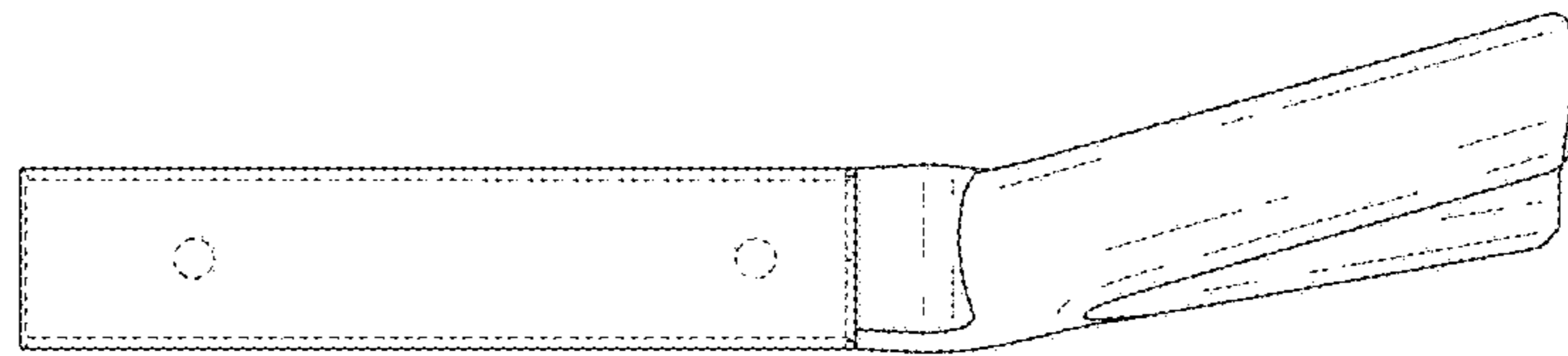


FIG. 11

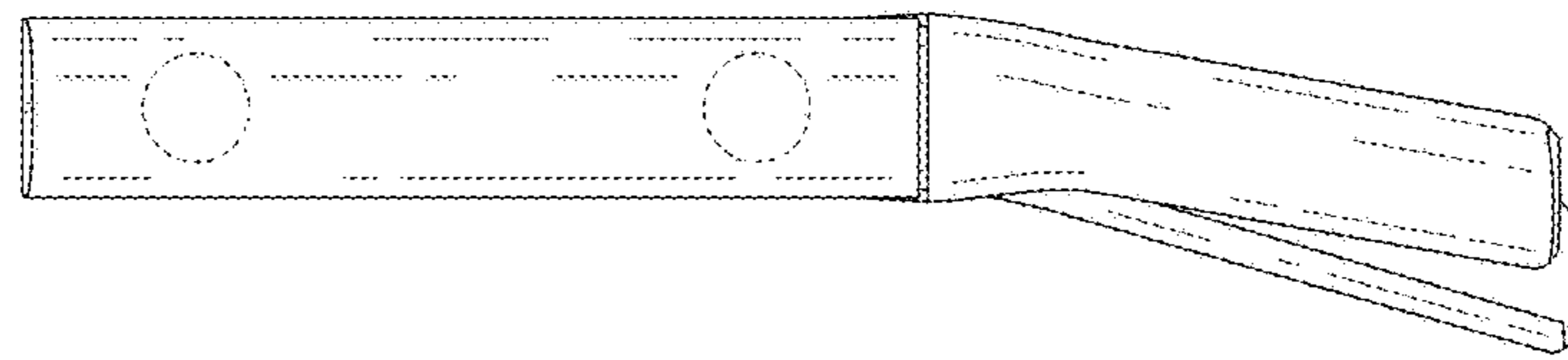


FIG. 12

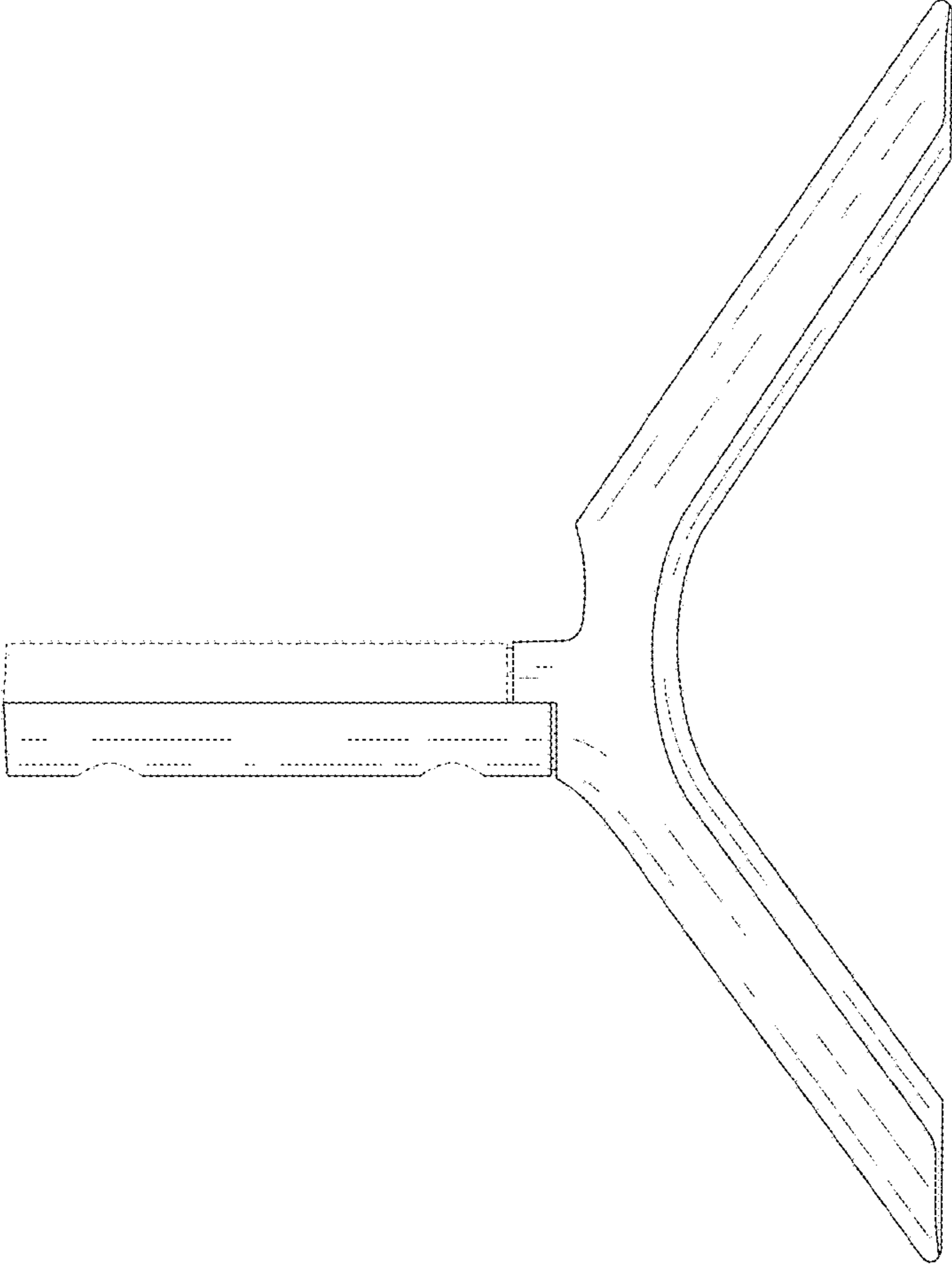


FIG. 13

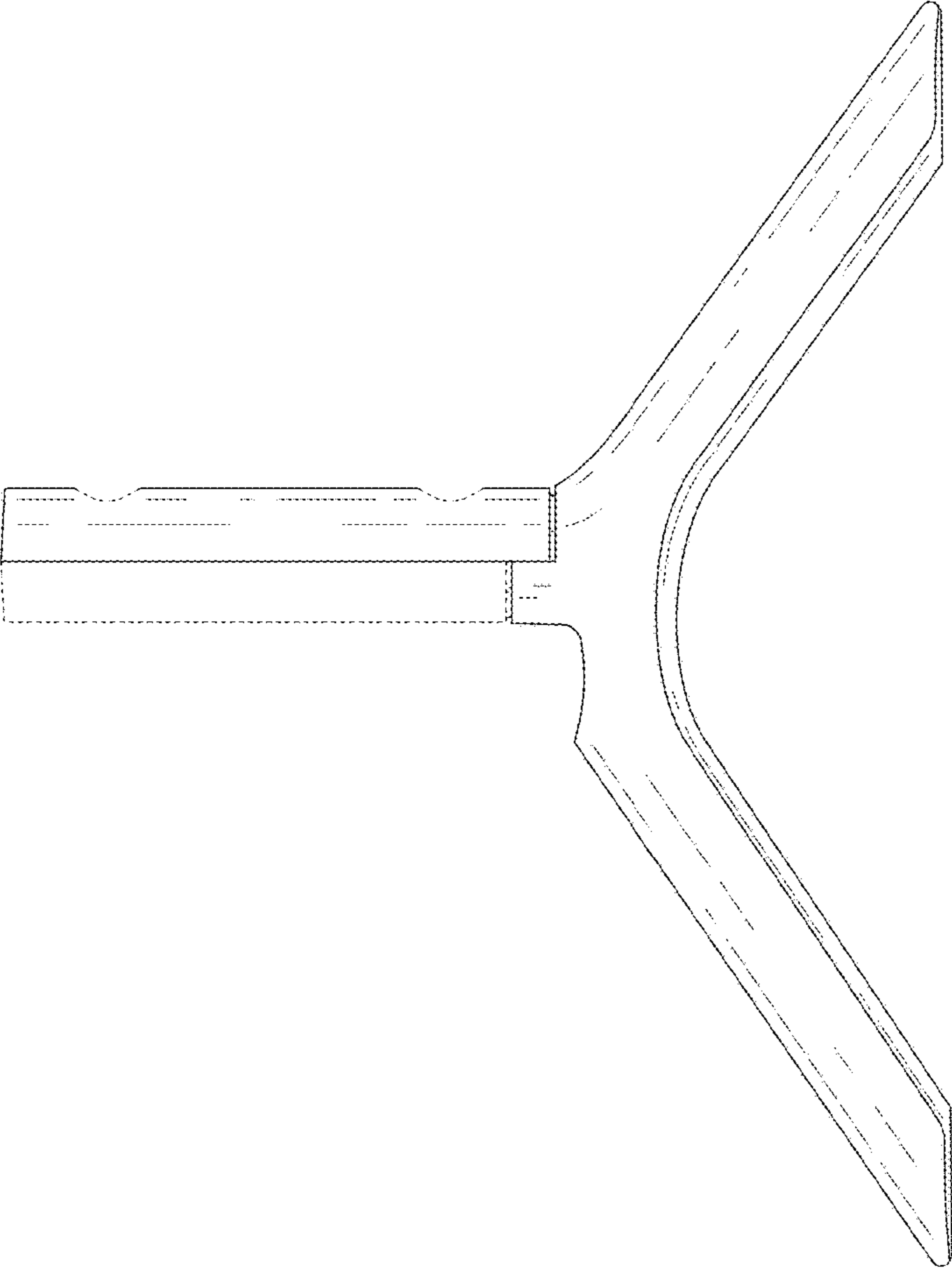


FIG. 14

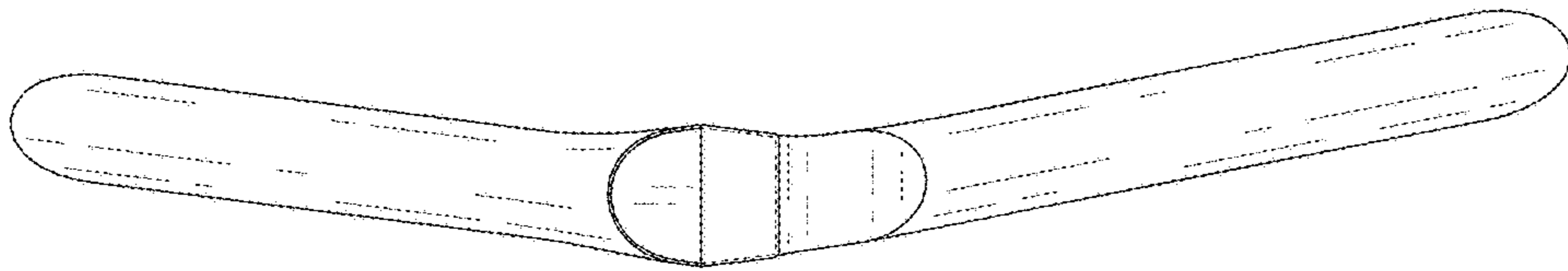


FIG. 15

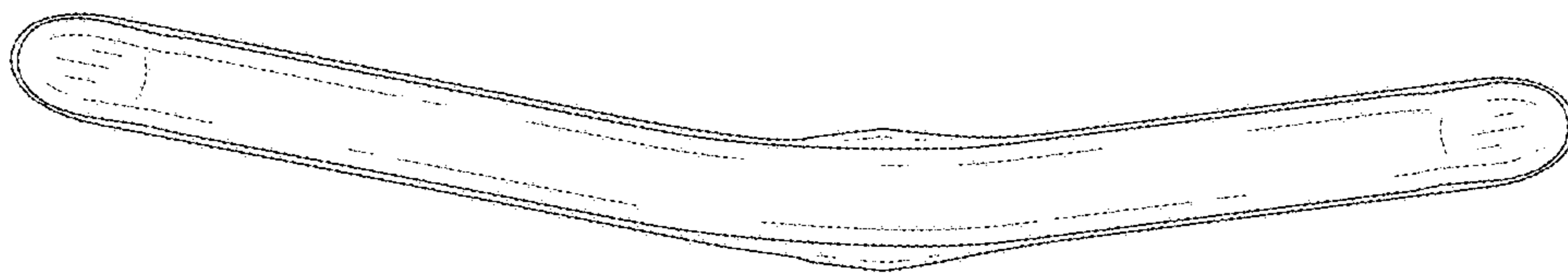


FIG. 16

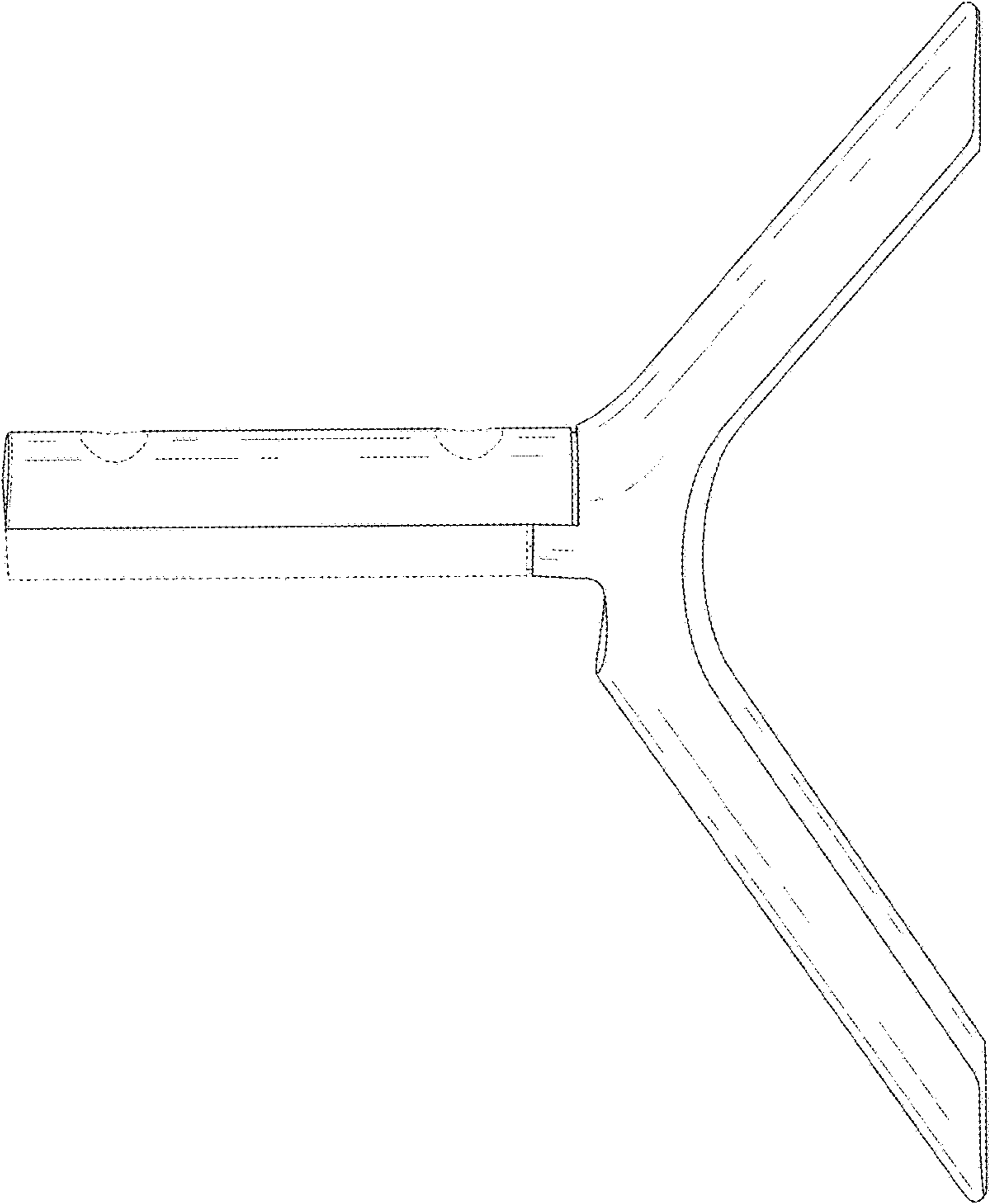


FIG. 17

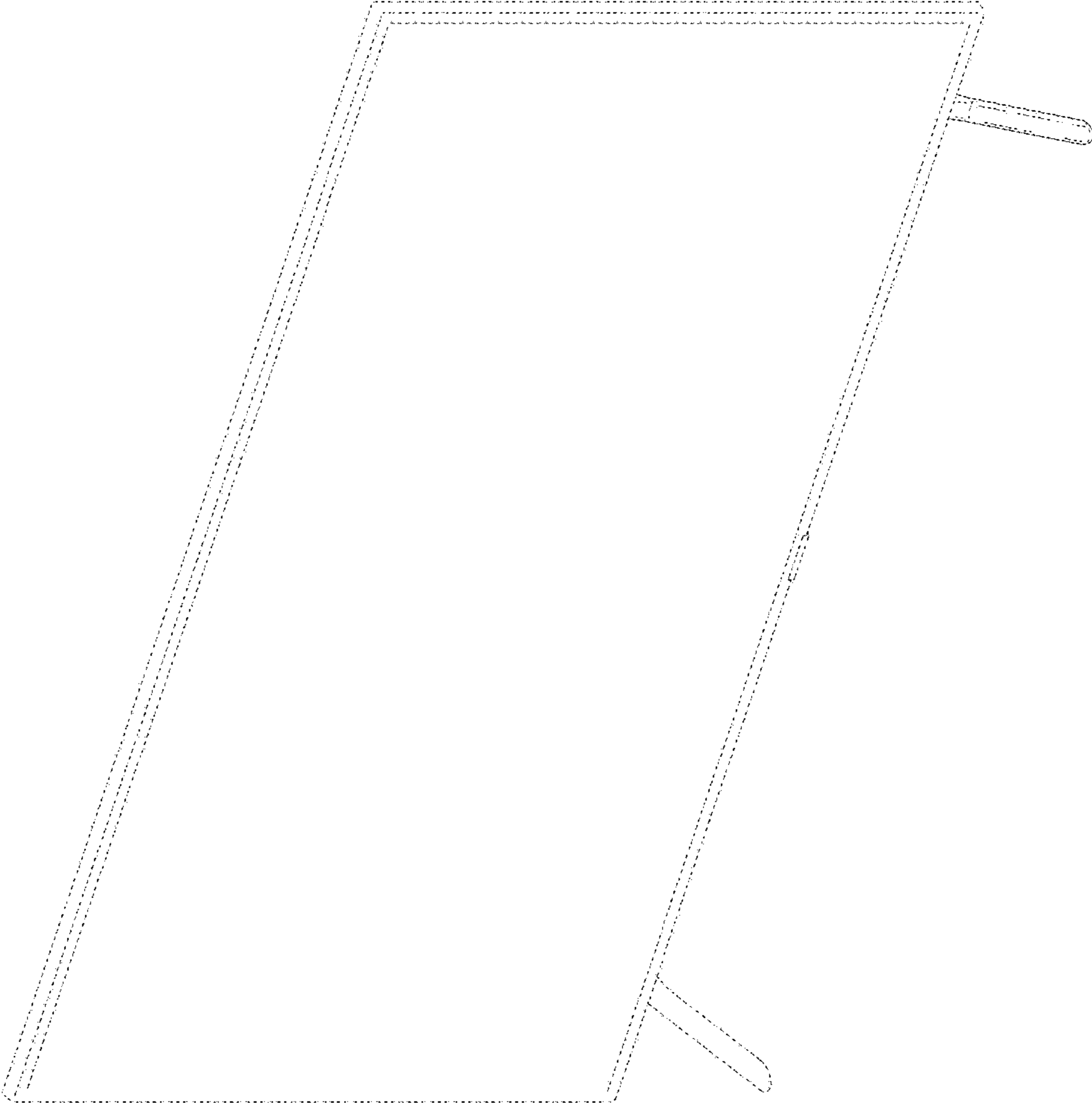


FIG. 18

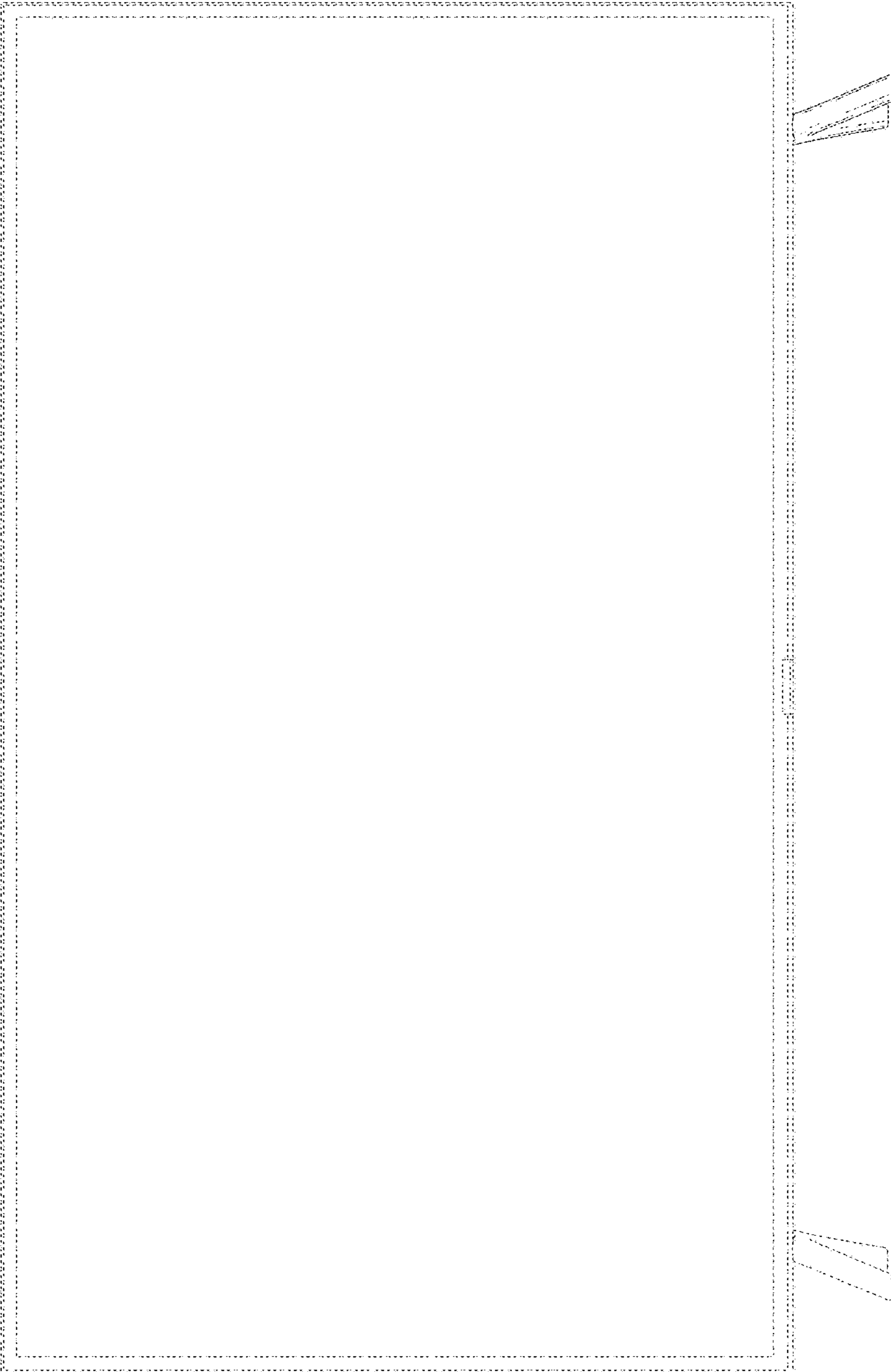


FIG. 19

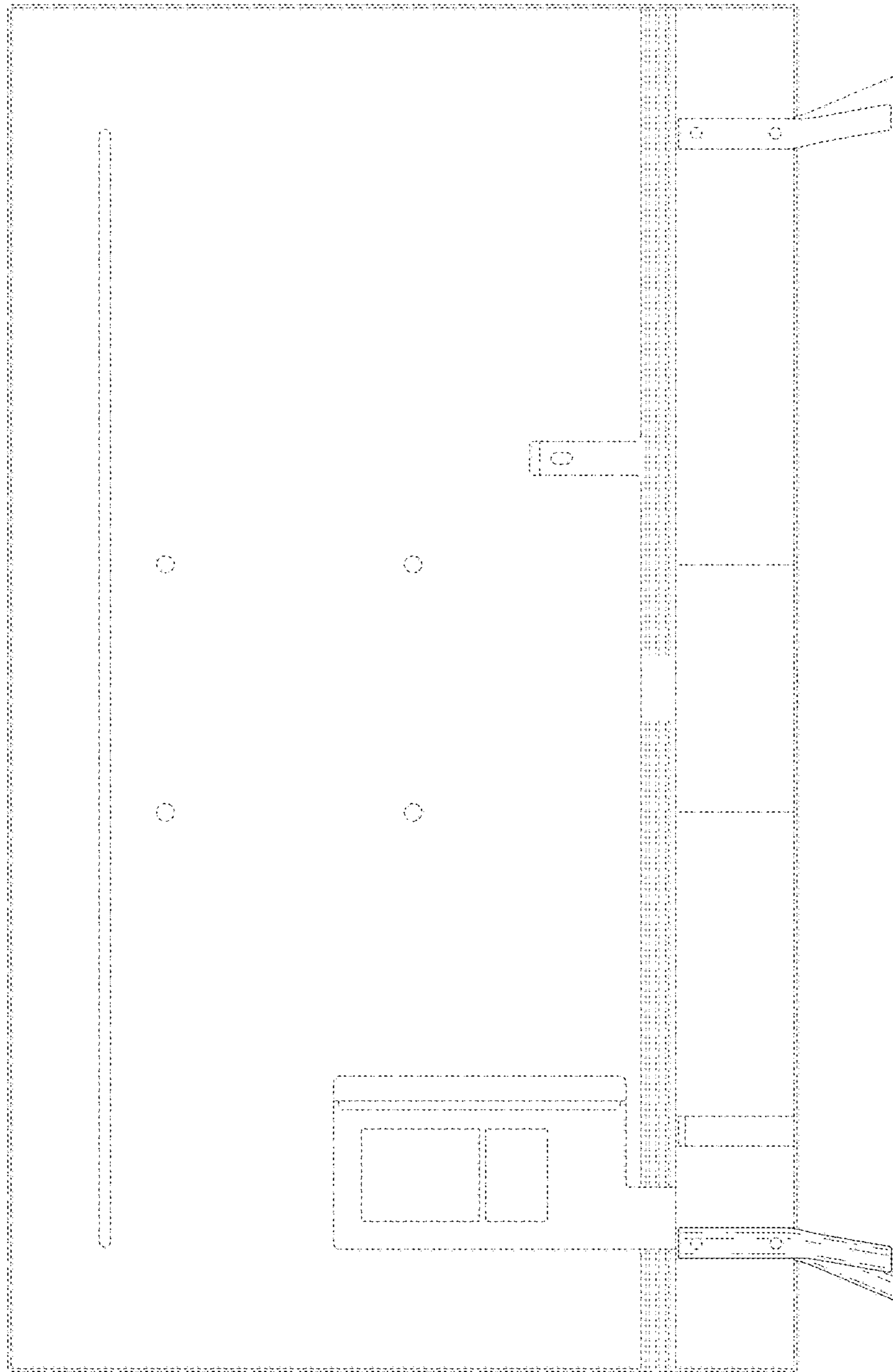


FIG. 20

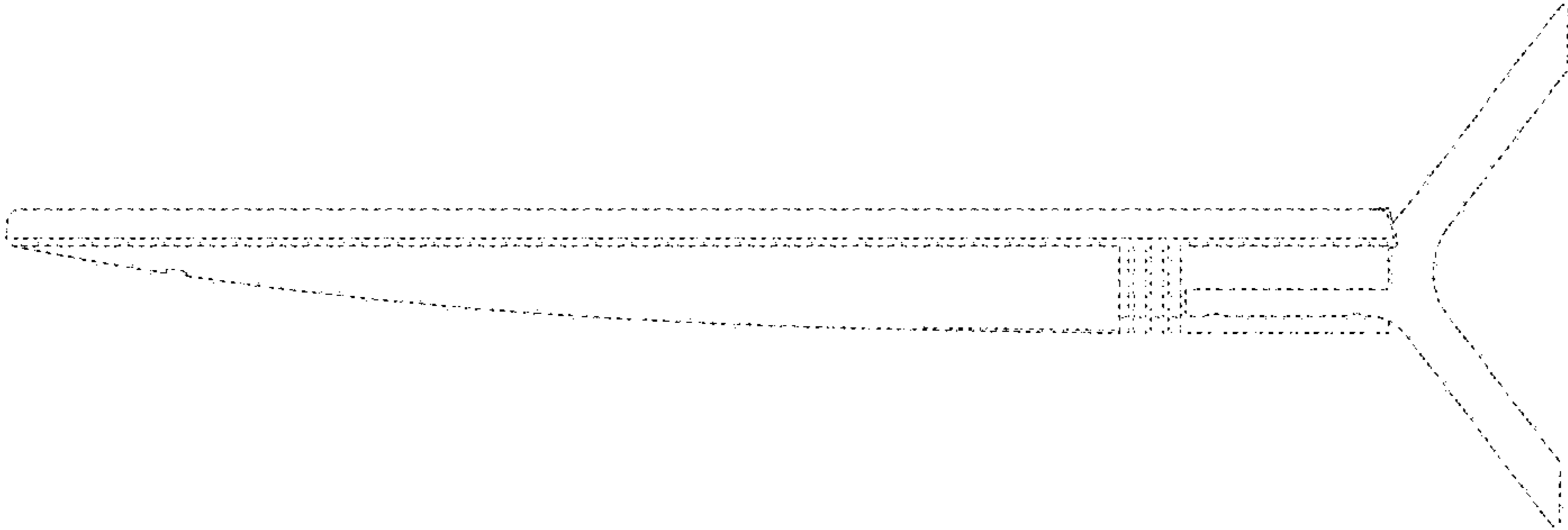


FIG. 21

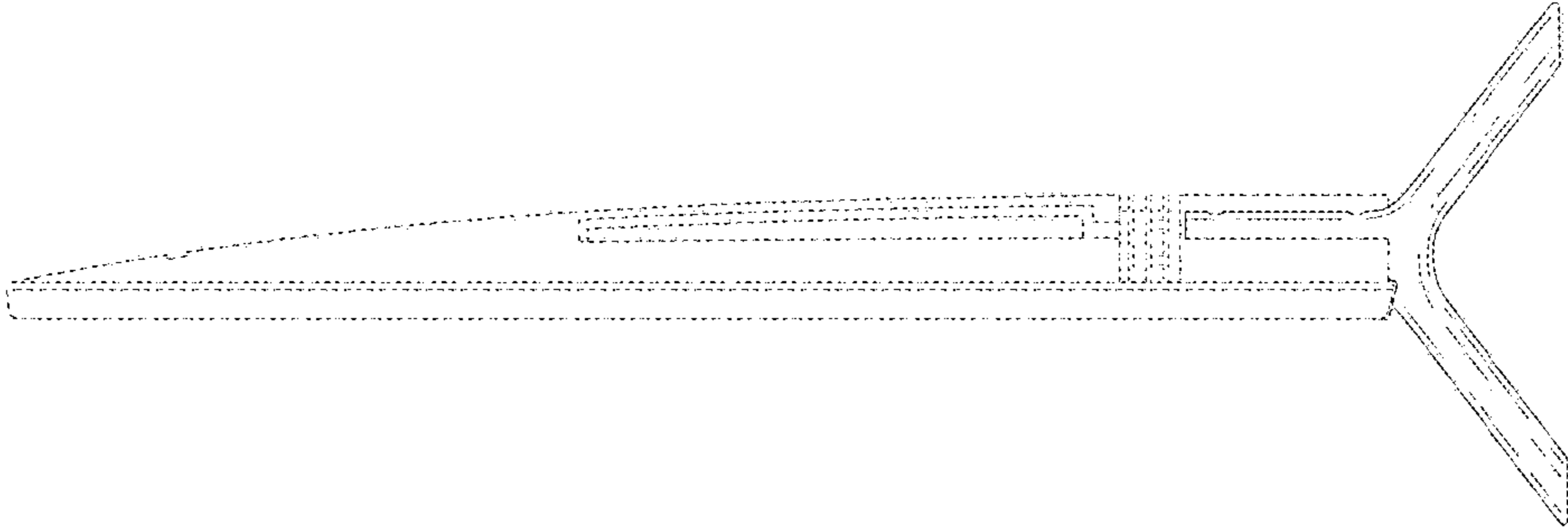


FIG. 22

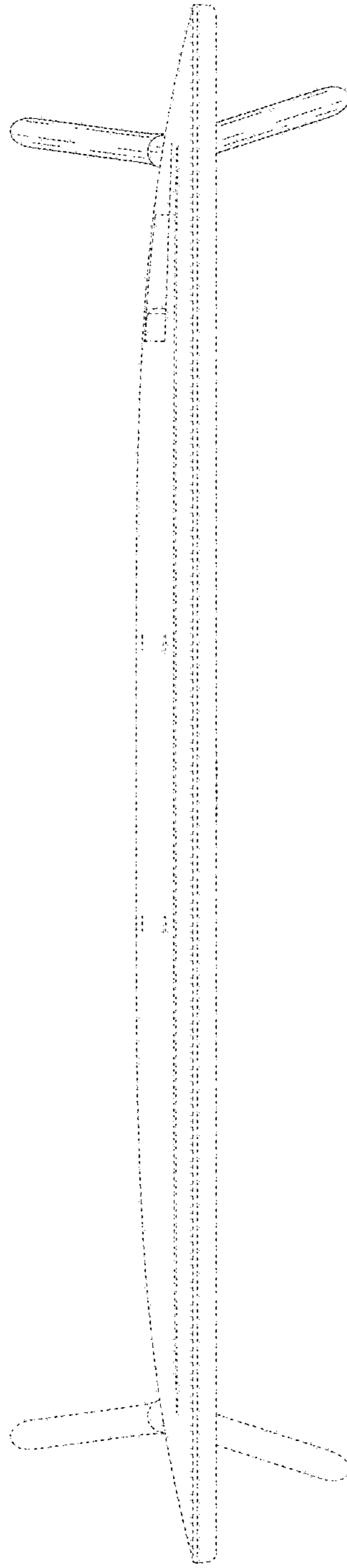


FIG. 23

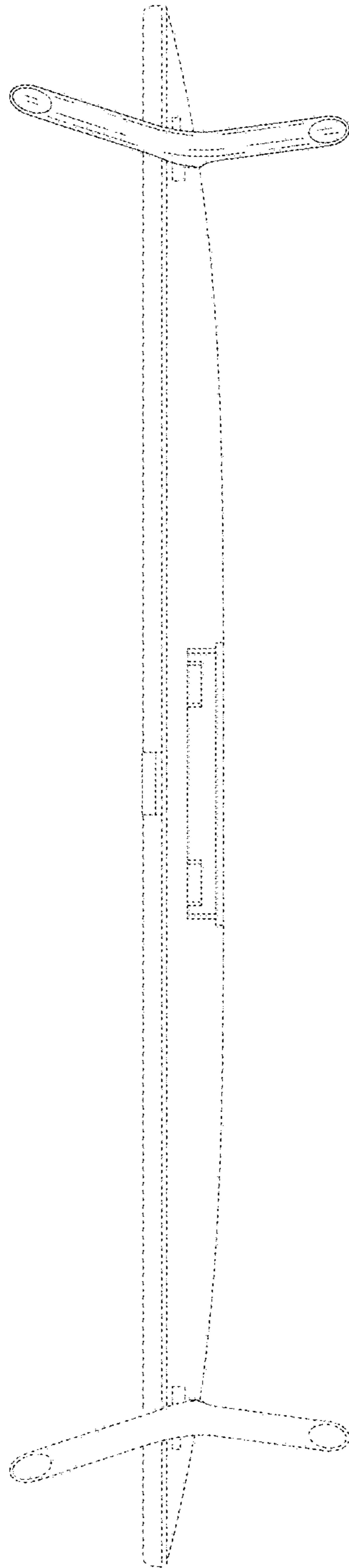


FIG. 24

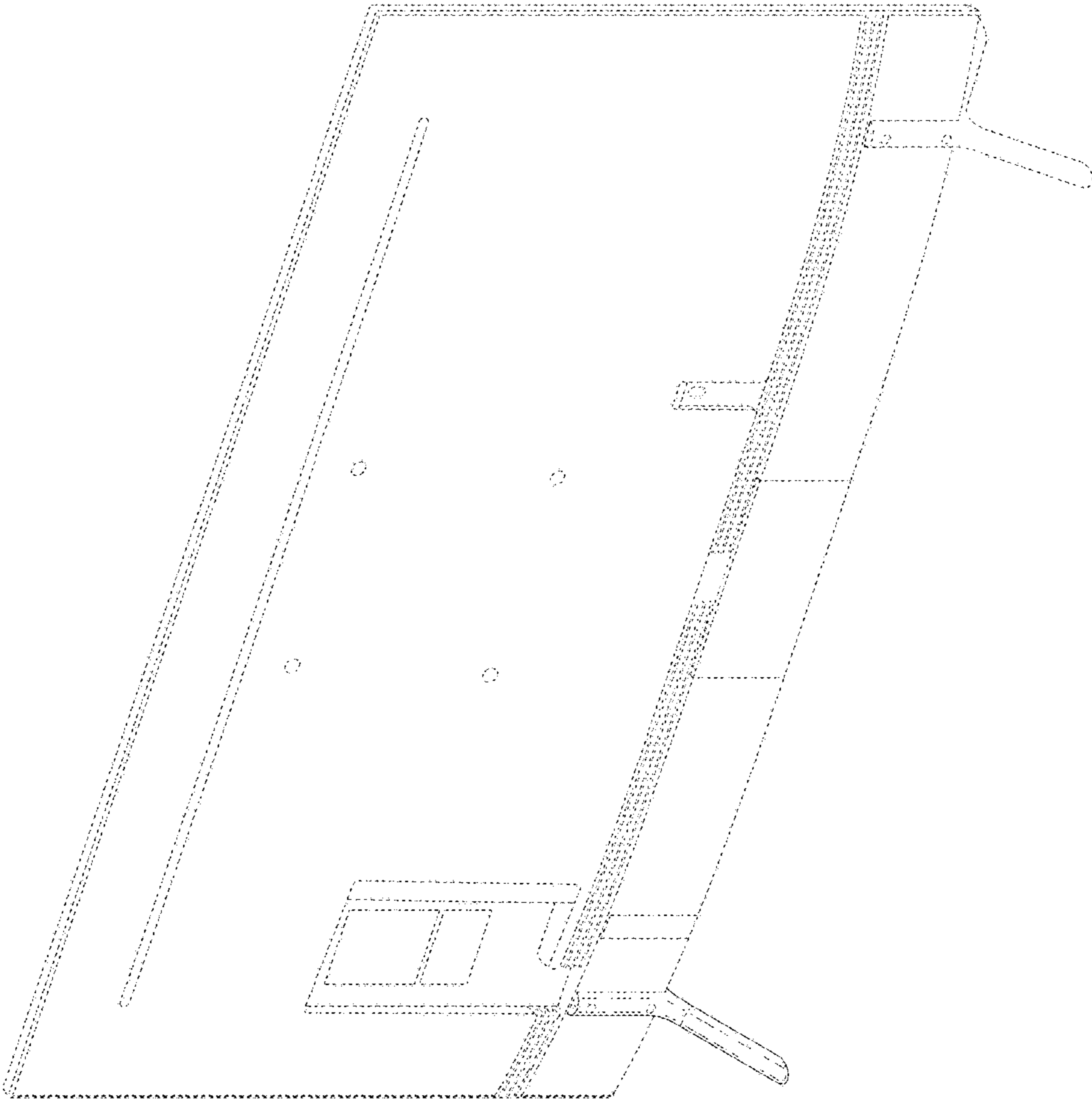


FIG. 25

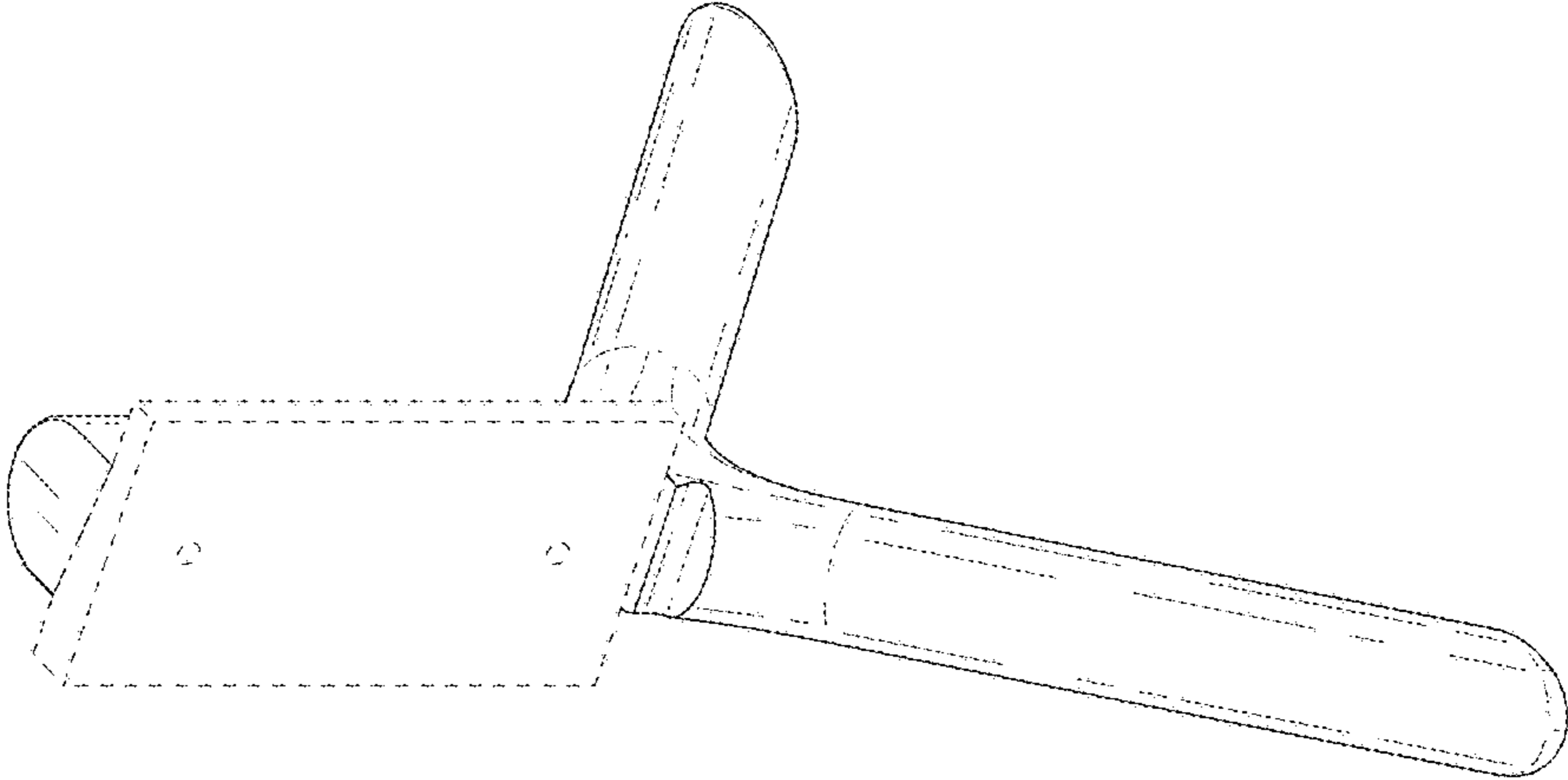


FIG. 26

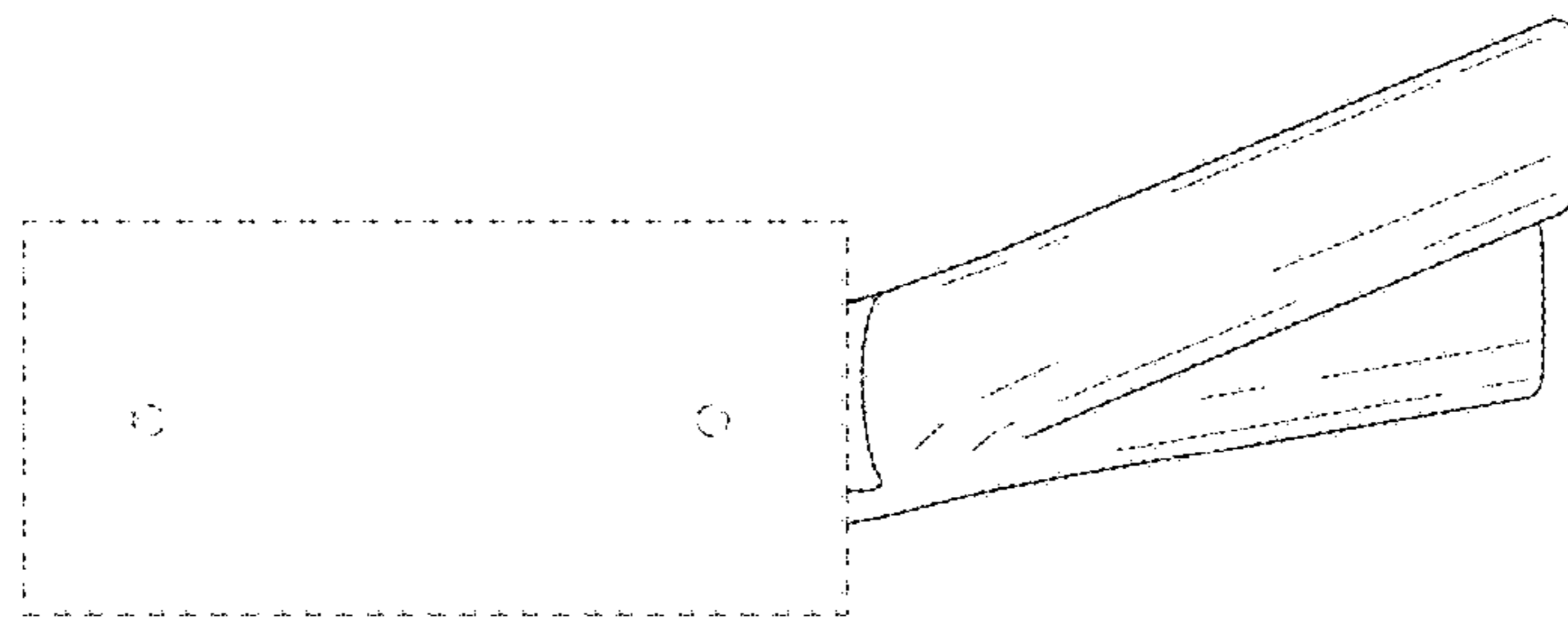


FIG. 27

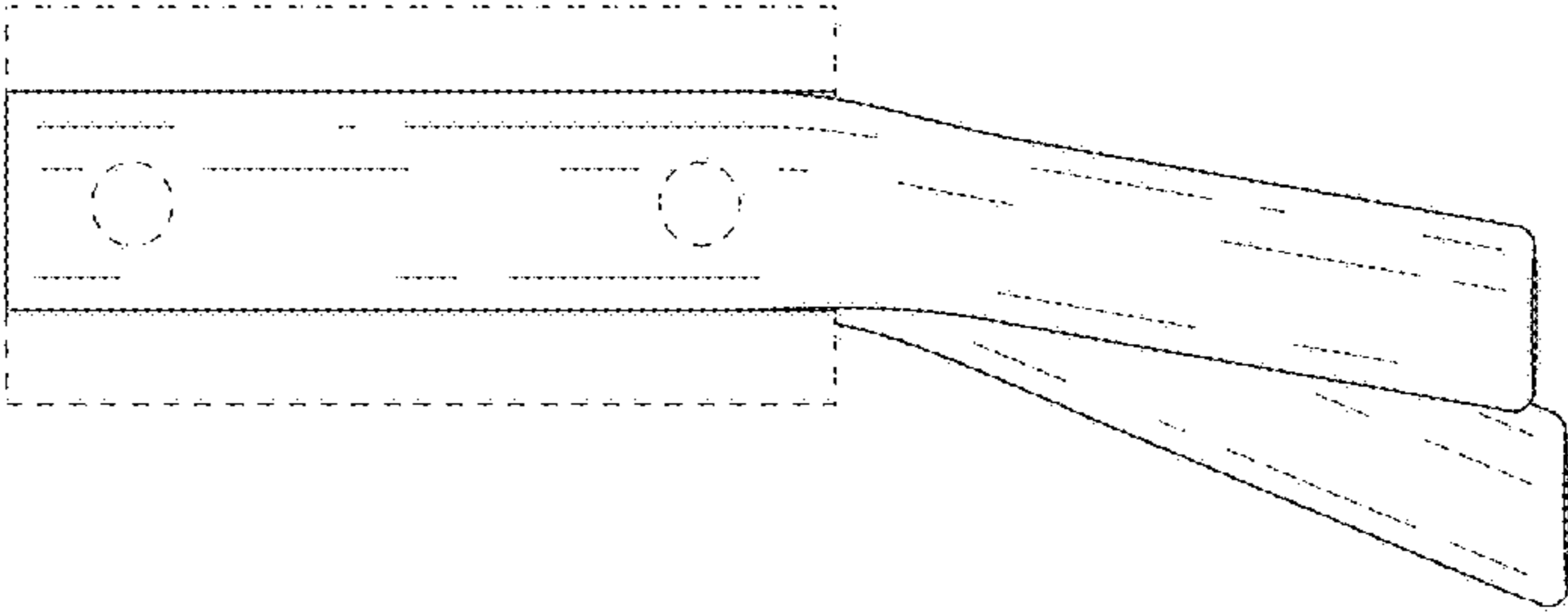


FIG. 28

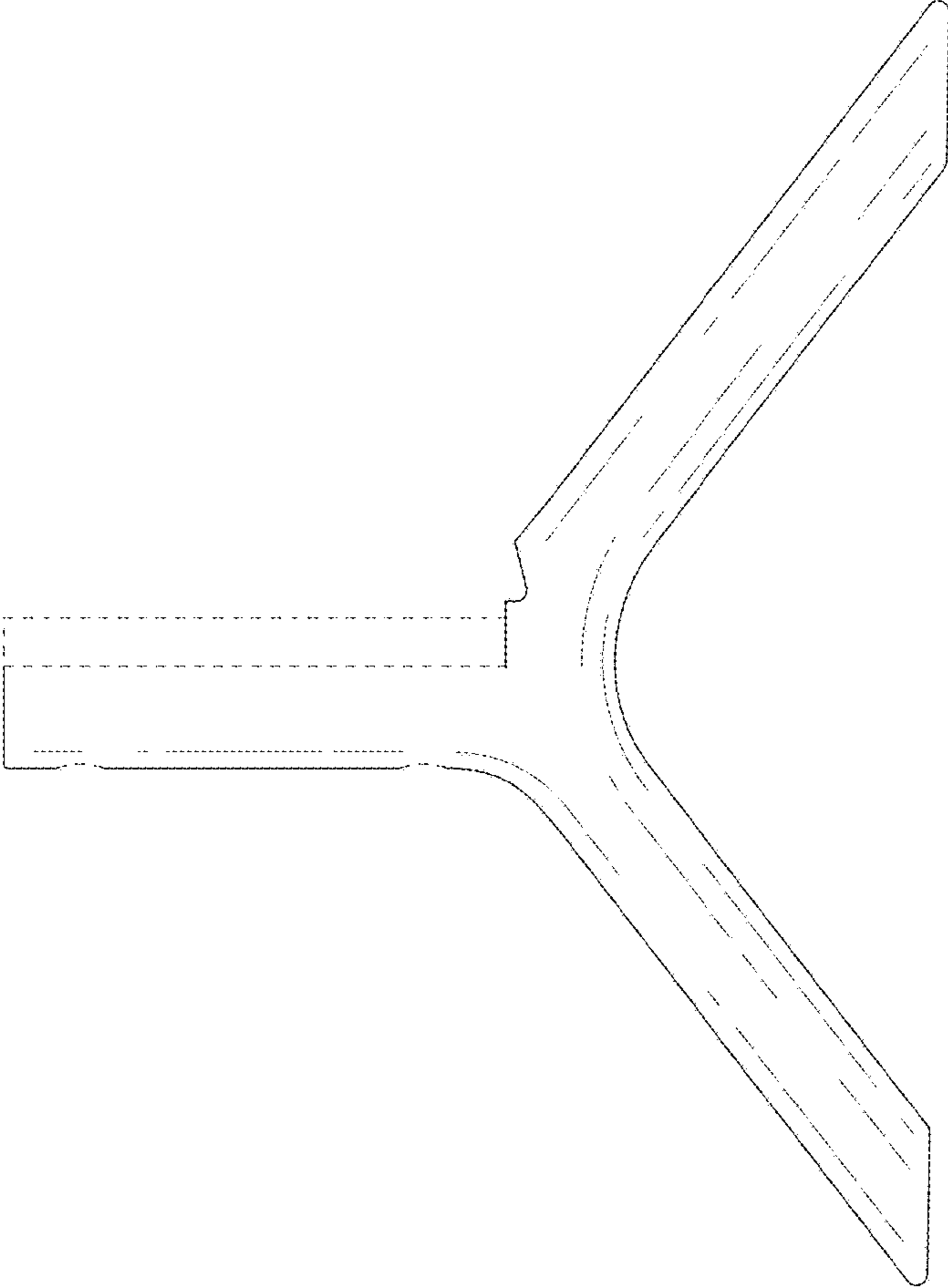


FIG. 29

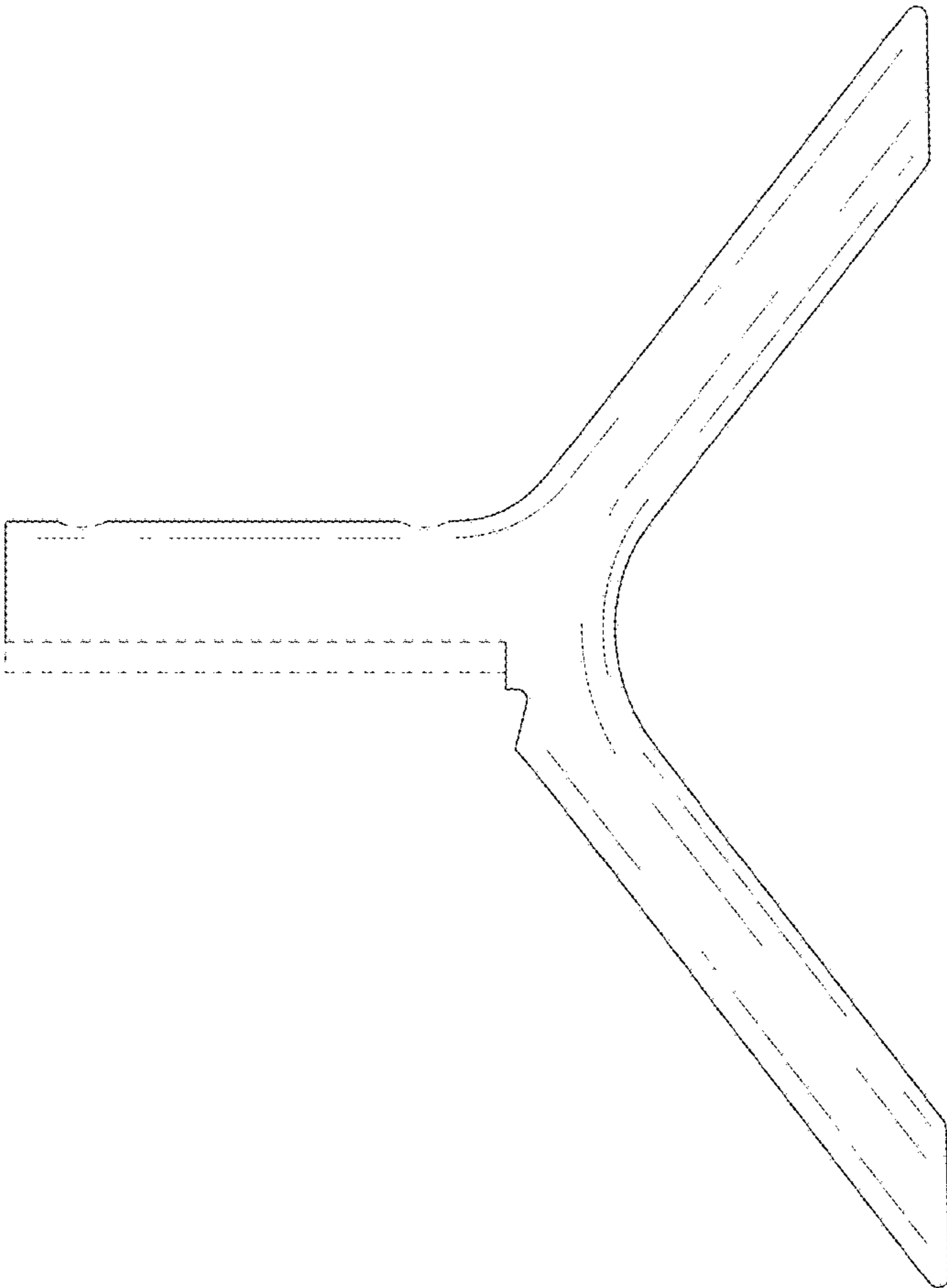


FIG. 30

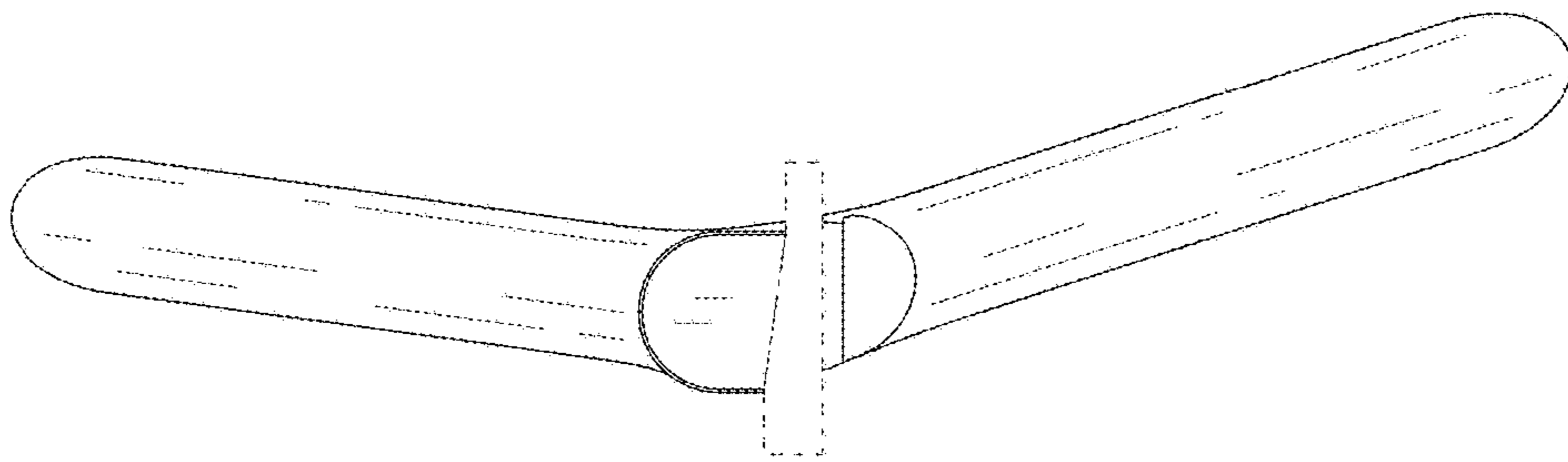


FIG. 31

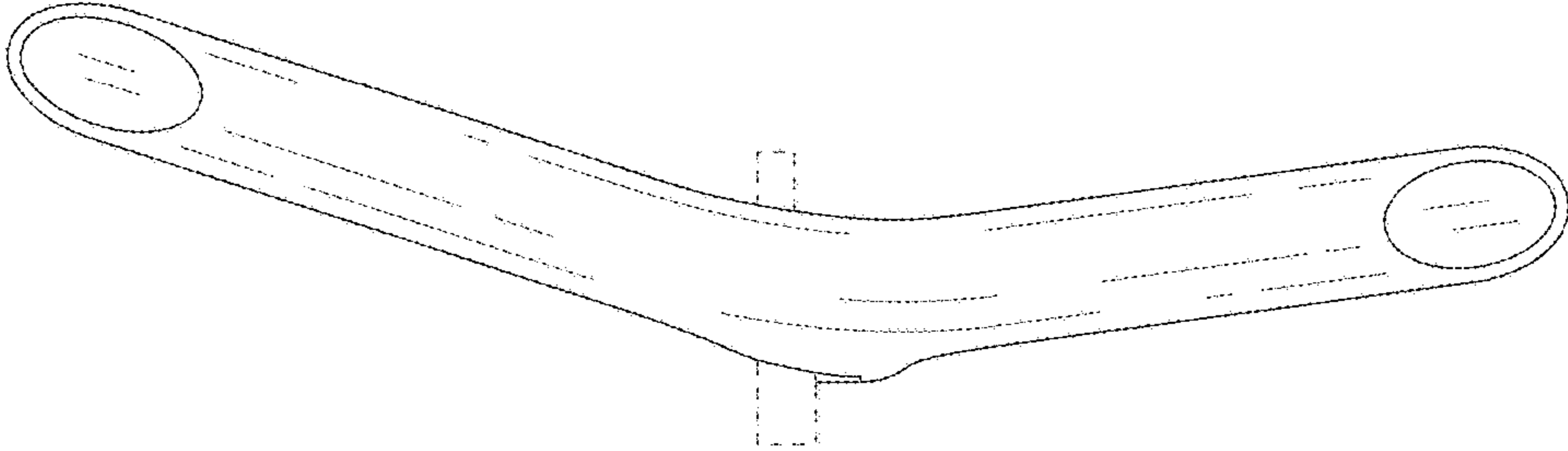


FIG. 32

