



US00D853364S

(12) **United States Design Patent** (10) **Patent No.:** **US D853,364 S**
Ann et al. (45) **Date of Patent:** **** Jul. 9, 2019**

(54) **FRAME FOR TELEVISION**

11/041; F16M 11/126; F16M 11/04;
F16M 11/24; F16M 13/02; A47F 5/00

See application file for complete search history.

(71) Applicant: **Samsung Electronics Co., Ltd.**,
Suwon-si (KR)

(56) **References Cited**

U.S. PATENT DOCUMENTS

(72) Inventors: **Sungjin Ann**, Seoul (KR); **Kihong Kim**, Goyang-si (KR); **Sangyoung Lee**, Gwangmyeong-si (KR)

8,134,651 B1 * 3/2012 Reid H04N 5/64
312/7.2
D727,275 S * 4/2015 Zheng D14/126
D734,280 S * 7/2015 Choi D14/126
D765,049 S * 8/2016 Tanimura D14/126

(73) Assignee: **Samsung Electronics Co., Ltd.**,
Suwon-si (KR)

FOREIGN PATENT DOCUMENTS

(**) Term: **15 Years**

CN 201130121355 10/2011
EM 001070569-0001 3/2009

(21) Appl. No.: **29/607,969**

OTHER PUBLICATIONS

(22) Filed: **Jun. 19, 2017**

Larsen, Rasmus "CES 2010: First 21:9 TV from Vizio is 58-inches"
[2010] www.flatpanelshd.com Jan. 13, 2010 <<http://www.flatpanelshd.com/news.php?subaction=showfull&id=1263405397>>.

(30) **Foreign Application Priority Data**

* cited by examiner

Dec. 29, 2016 (KR) 30-2016-0064189

Primary Examiner — Randall H Gholson

(51) **LOC (11) Cl.** **14-03**

(74) *Attorney, Agent, or Firm* — NSIP Law

(52) **U.S. Cl.**

(57) **CLAIM**

USPC **D14/239**

We claim the ornamental design for a frame for television,
as shown and described.

(58) **Field of Classification Search**

DESCRIPTION

USPC D14/125-129, 239, 336, 337, 371-375,
D14/447, 451; D6/300, 308; D19/113,
D19/114; D20/10

FIG. 1 is the front perspective view of a frame for television
showing our new design;
FIG. 2 is the front view thereof;
FIG. 3 is the rear view thereof;
FIG. 4 is the left-side view thereof;
FIG. 5 is the right-side view thereof;
FIG. 6 is the top view thereof;
FIG. 7 is the bottom view thereof;
FIG. 8 is the bottom perspective view thereof;

CPC G09F 15/0025; G09F 15/0062; G09F
15/0068; G06F 1/16; G06F 1/1613; G06F
1/133308; G06F 1/1601; G06F 3/037;
G06F 1/162; F16M 11/02; F16M 11/10;
F16M 11/00; F16M 11/06; F16M 11/18;
F16M 11/045; F16M 11/105; F16M

(Continued)

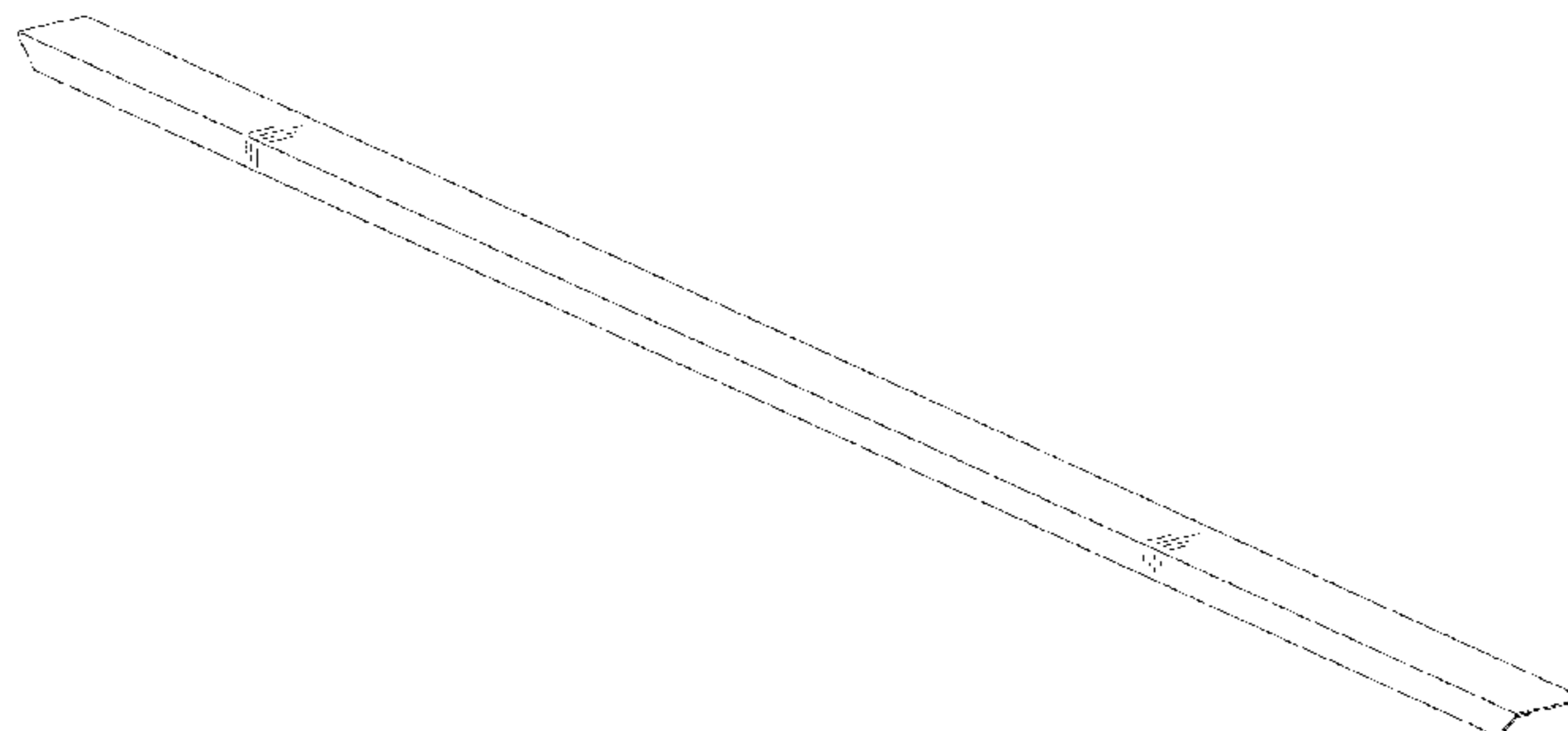


FIG. 9 is the front perspective view thereof shown in an example environment; and,
FIG. 10 is the front perspective view thereof shown in another example environment.
The broken lines in the figures depict environmental subject matter and form no part of the claimed design.

1 Claim, 7 Drawing Sheets

FIG. 1

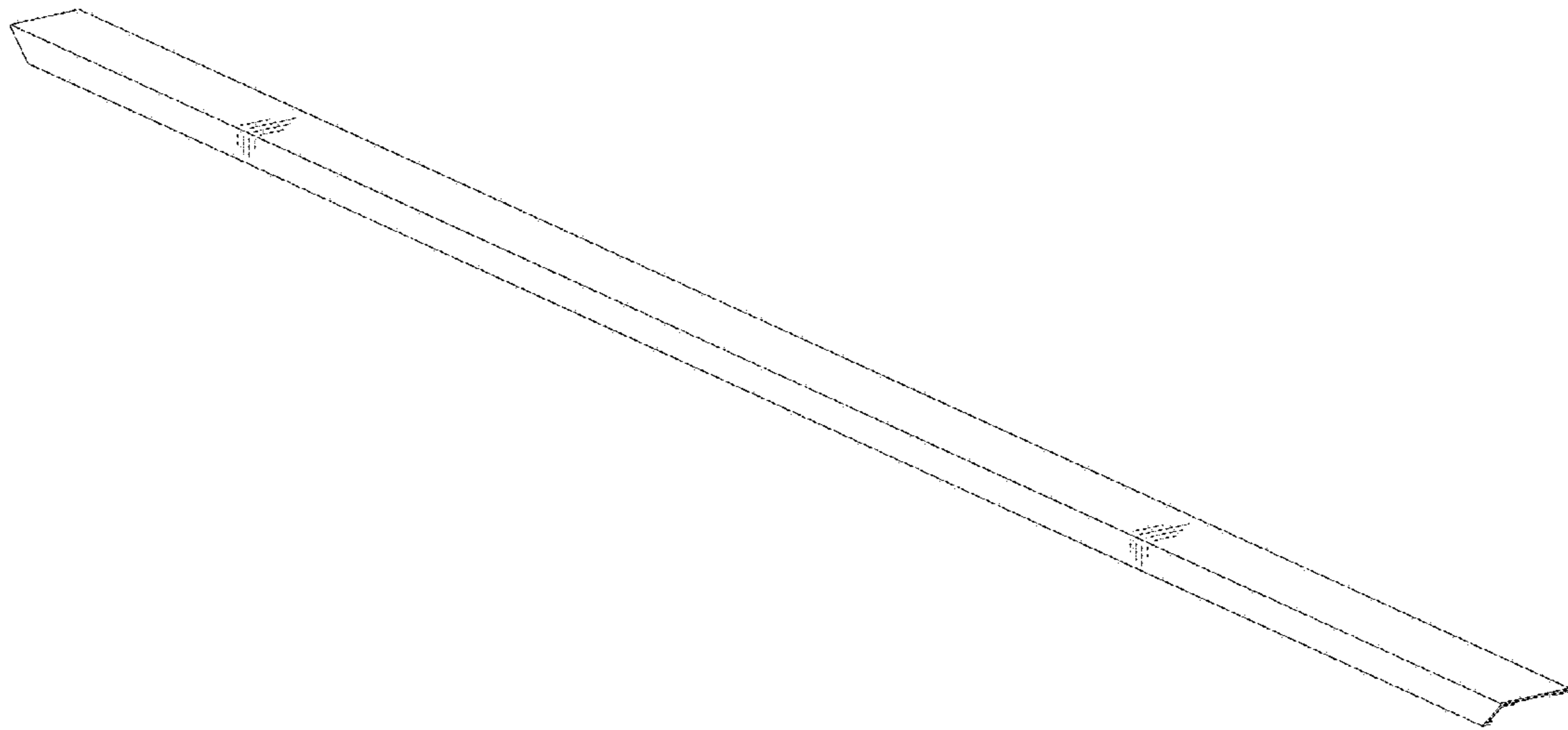


FIG. 2

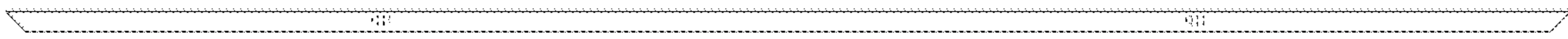


FIG. 3

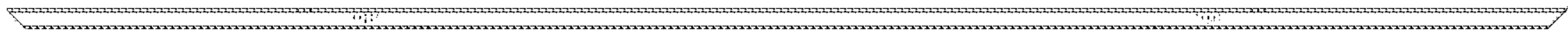


FIG. 4

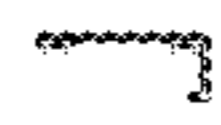


FIG. 5

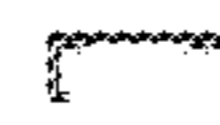


FIG. 6



FIG. 7

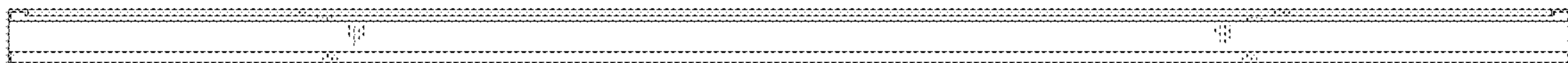


FIG. 8

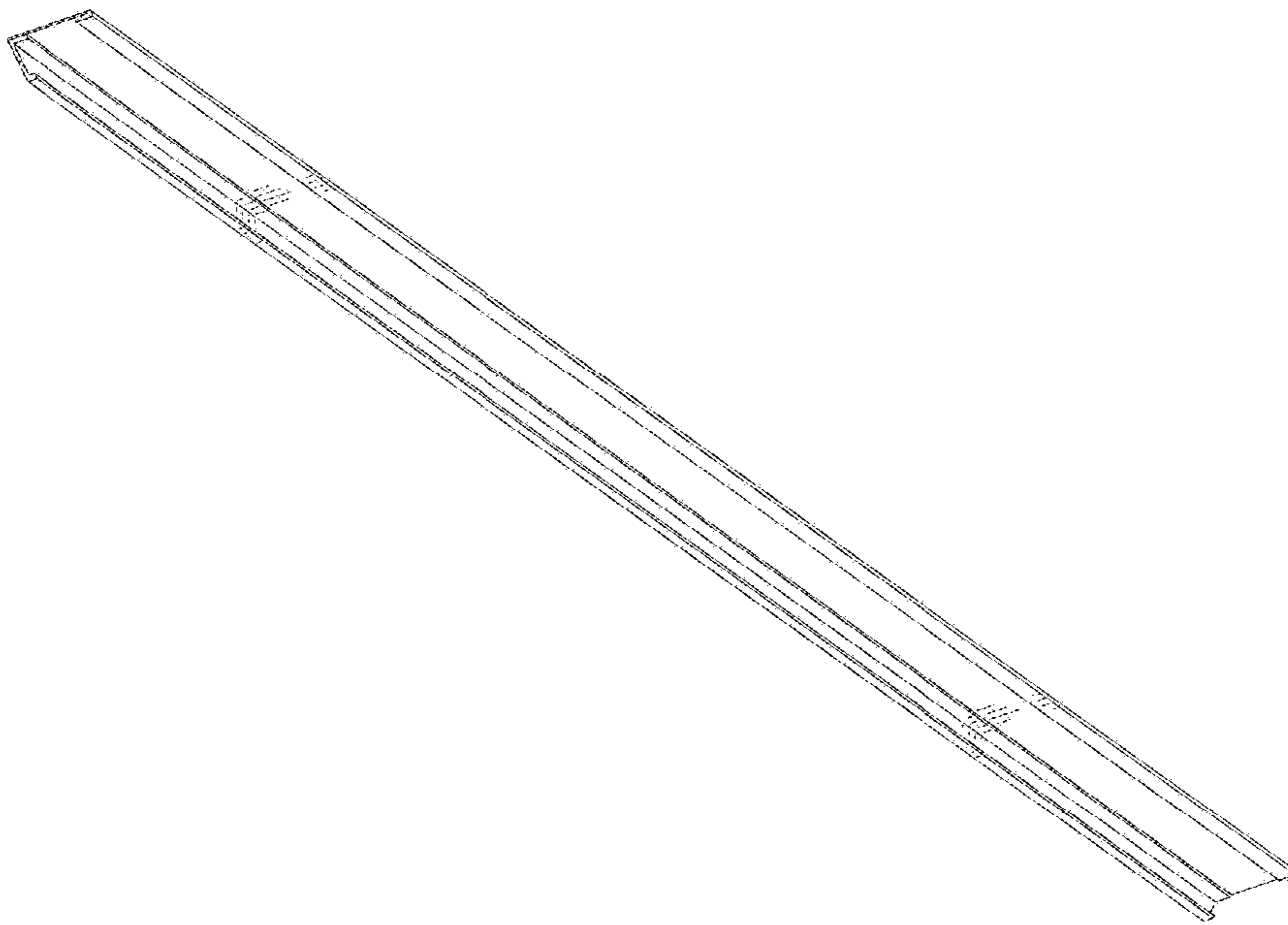


FIG. 9

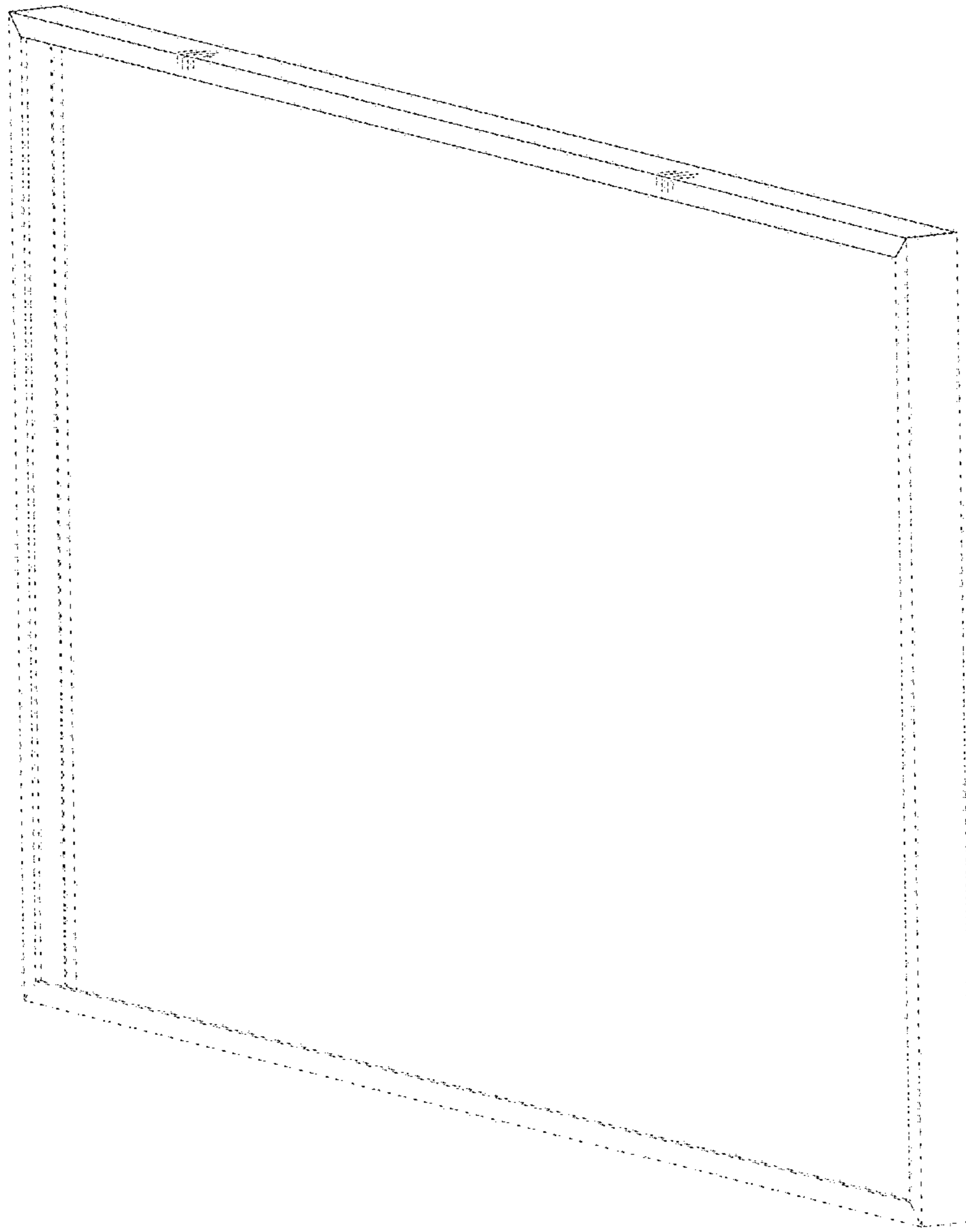


FIG. 10

