



US00D853361S

(12) **United States Design Patent**  
**Ding**

(10) **Patent No.:** **US D853,361 S**

(45) **Date of Patent:** **\*\* Jul. 9, 2019**

(54) **HD VIDEO CONFERENCE  
OMNIDIRECTIONAL MICROPHONE**

(71) Applicant: **Fan Ding**, Shenzhen (CN)

(72) Inventor: **Fan Ding**, Shenzhen (CN)

(\*\*) Term: **15 Years**

(21) Appl. No.: **29/617,227**

(22) Filed: **Sep. 12, 2017**

(51) **LOC (11) Cl.** ..... **14-01**

(52) **U.S. Cl.**  
USPC ..... **D14/225**

(58) **Field of Classification Search**  
USPC ..... D14/224-229; D16/244; D17/99;  
D6/681; 248/125.1, 166, 185.1;  
381/355, 359, 361-363, 365, 366, 369,  
381/375; 379/428.01, 428.04, 431,  
379/433.03  
CPC . H04R 25/00; H04R 1/02; H04R 5/02; H04R  
9/08; F16M 11/38; F16M 13/00; F16M  
11/00

See application file for complete search history.

(56) **References Cited**

**U.S. PATENT DOCUMENTS**

D278,333 S \* 4/1985 Takata ..... D14/225  
D299,336 S \* 1/1989 Osanai ..... D14/154

D386,764 S \* 11/1997 Lake ..... D14/225  
D602,430 S \* 10/2009 Green ..... D13/110  
D602,918 S \* 10/2009 Bodley ..... D14/225  
D602,919 S \* 10/2009 Bodley ..... D14/225  
D604,723 S \* 11/2009 Bodley ..... D14/225  
D614,608 S \* 4/2010 Behling ..... D14/223  
D680,070 S \* 4/2013 Zaslavsky ..... D13/110  
D745,494 S \* 12/2015 Wise ..... D14/227  
D754,377 S \* 4/2016 Nook ..... D26/37  
D757,318 S \* 5/2016 Evans ..... D26/46  
D800,652 S \* 10/2017 Yang ..... D13/107

\* cited by examiner

*Primary Examiner* — Katie Jane Stofko

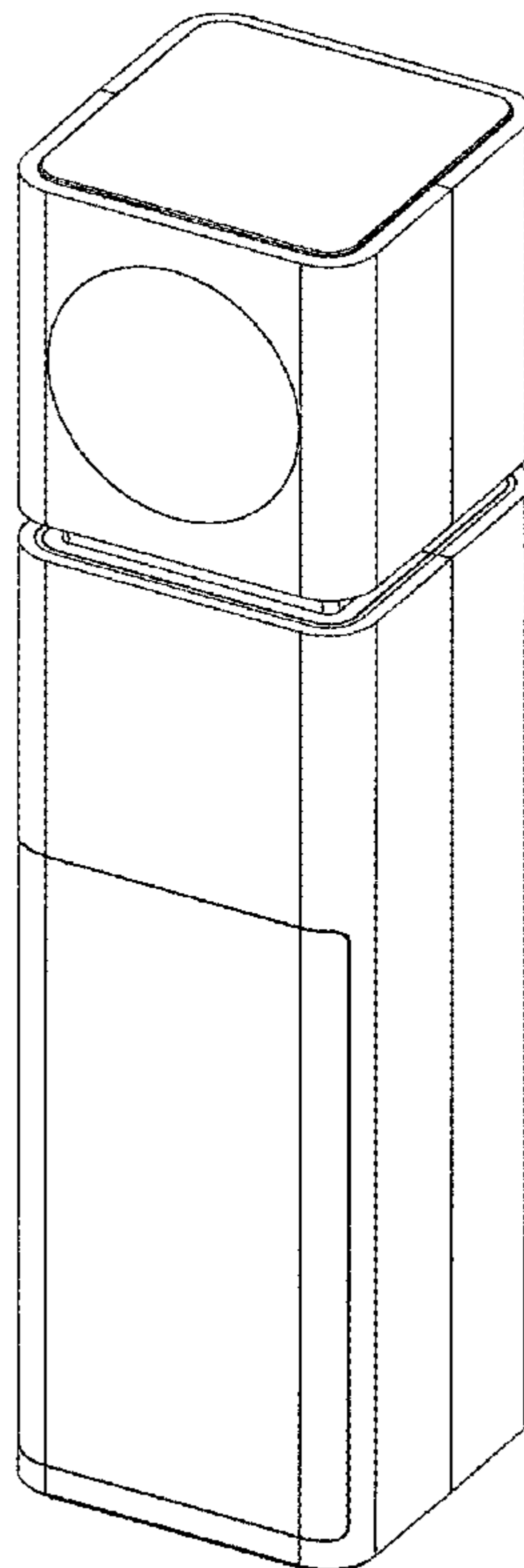
(57) **CLAIM**

The ornamental design for a HD video conference omnidirectional microphone, as shown and described.

**DESCRIPTION**

FIG. 1 is a front elevational view of a HD video conference omnidirectional microphone showing my new design; FIG. 2 is a rear elevational view thereof; FIG. 3 is a left side view thereof; FIG. 4 is a right side view thereof; FIG. 5 is a top plan view thereof; FIG. 6 is a bottom plan view thereof; FIG. 7 is a perspective view thereof; and, FIG. 8 is another perspective view thereof. The broken lines shown in HD video conference omnidirectional microphone form no part of the claimed design.

**1 Claim, 5 Drawing Sheets**



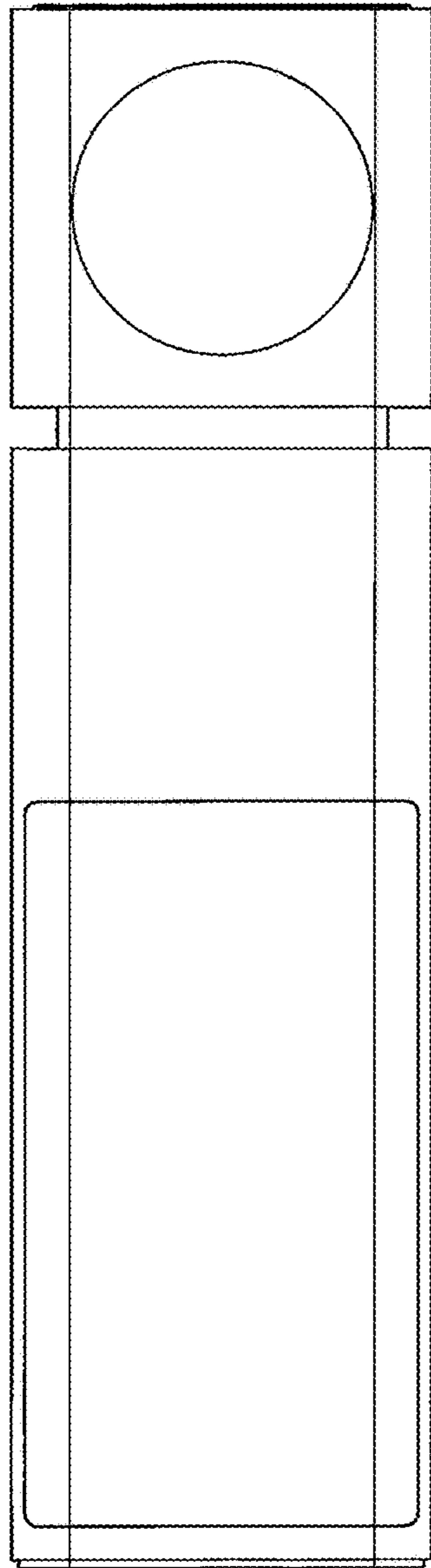


Fig. 1

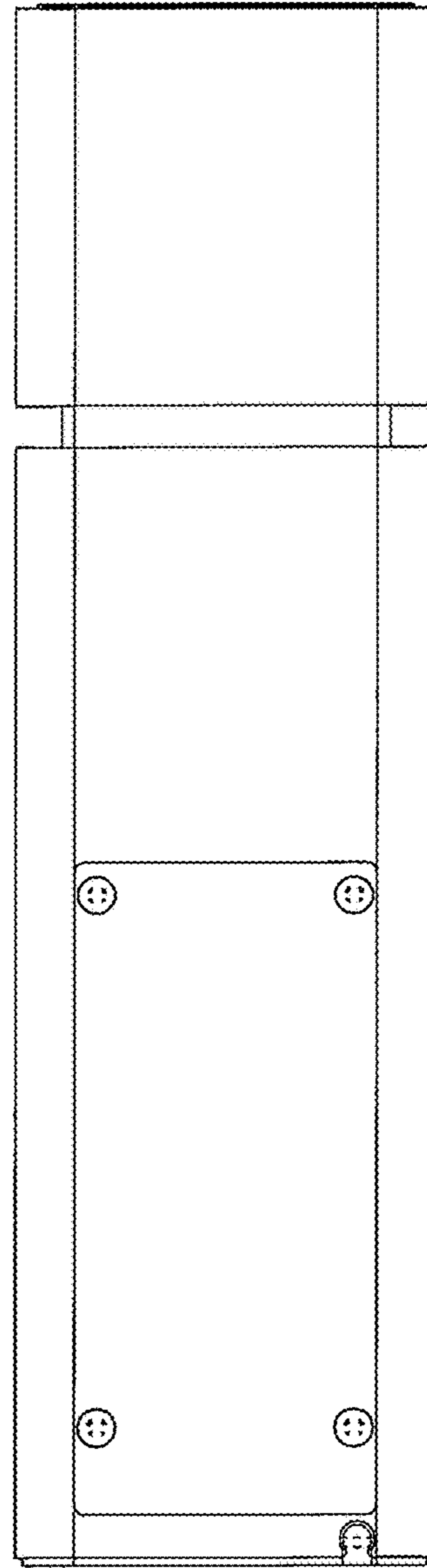


Fig. 2

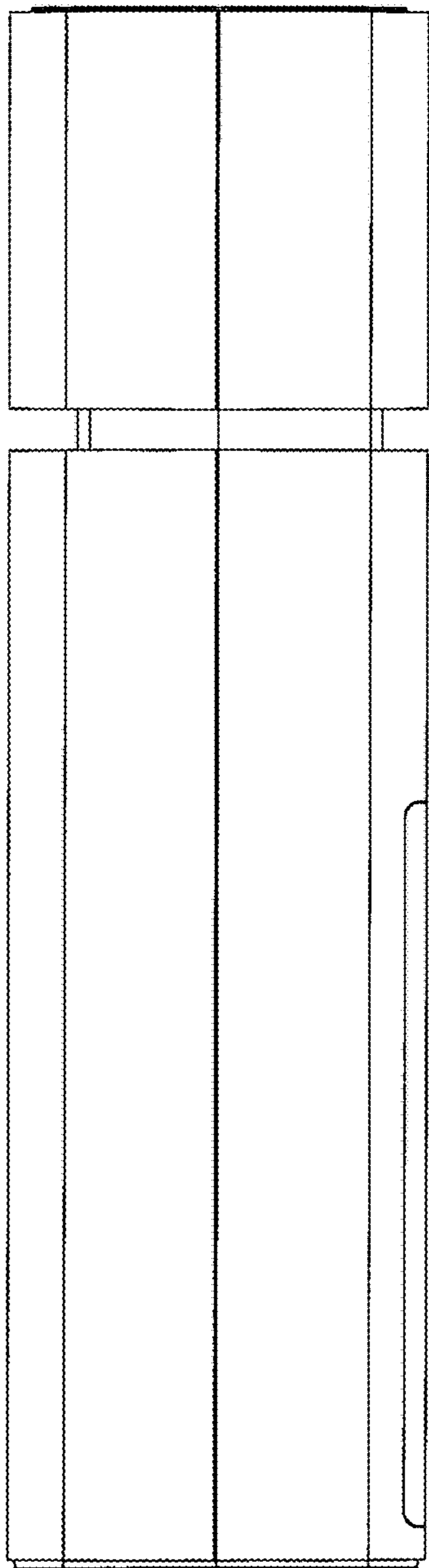


Fig. 3

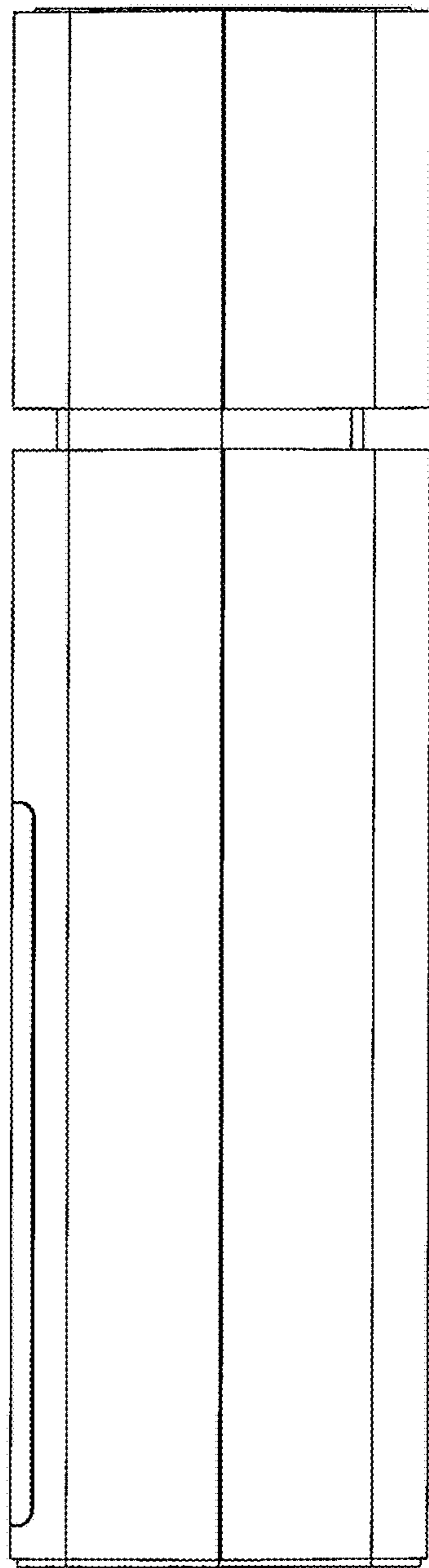


Fig. 4

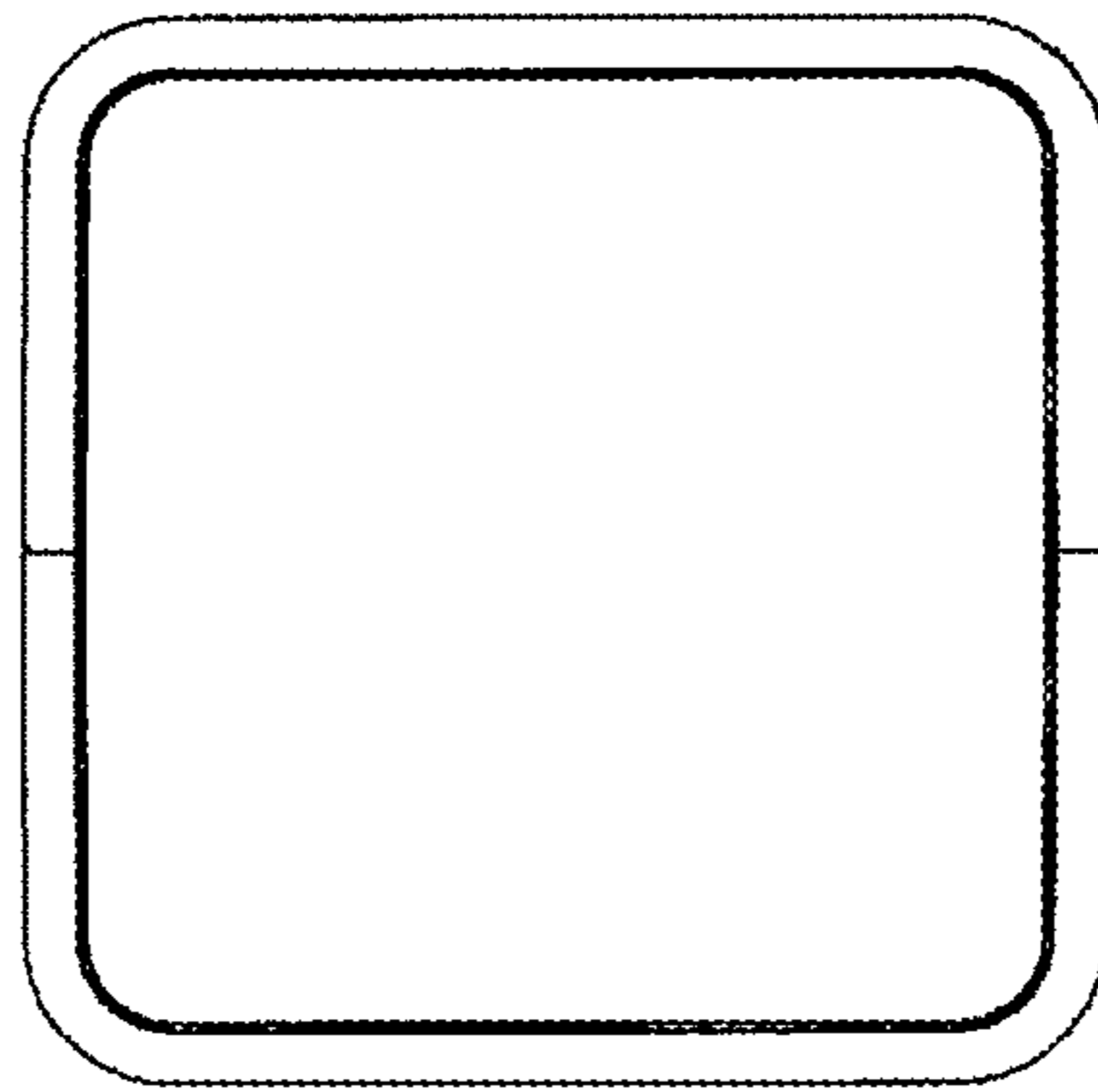


Fig. 5

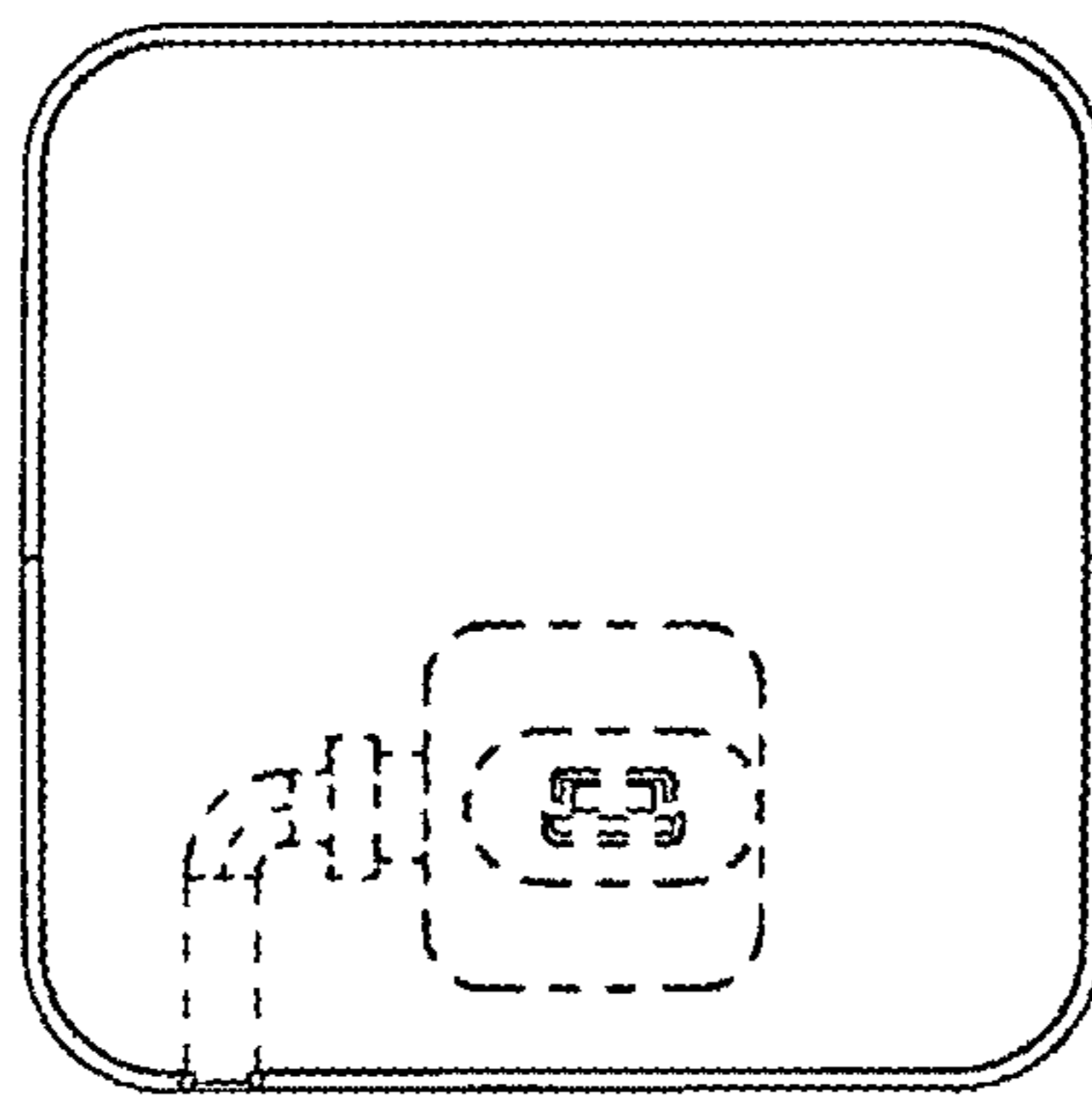


Fig. 6

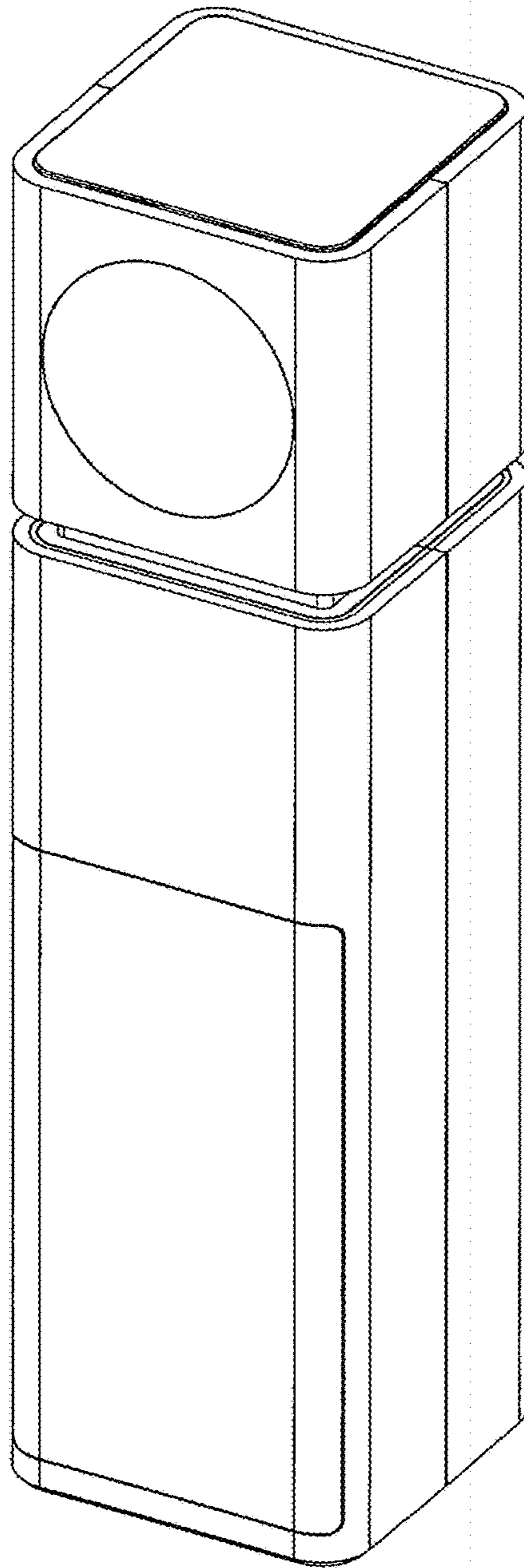


Fig. 7

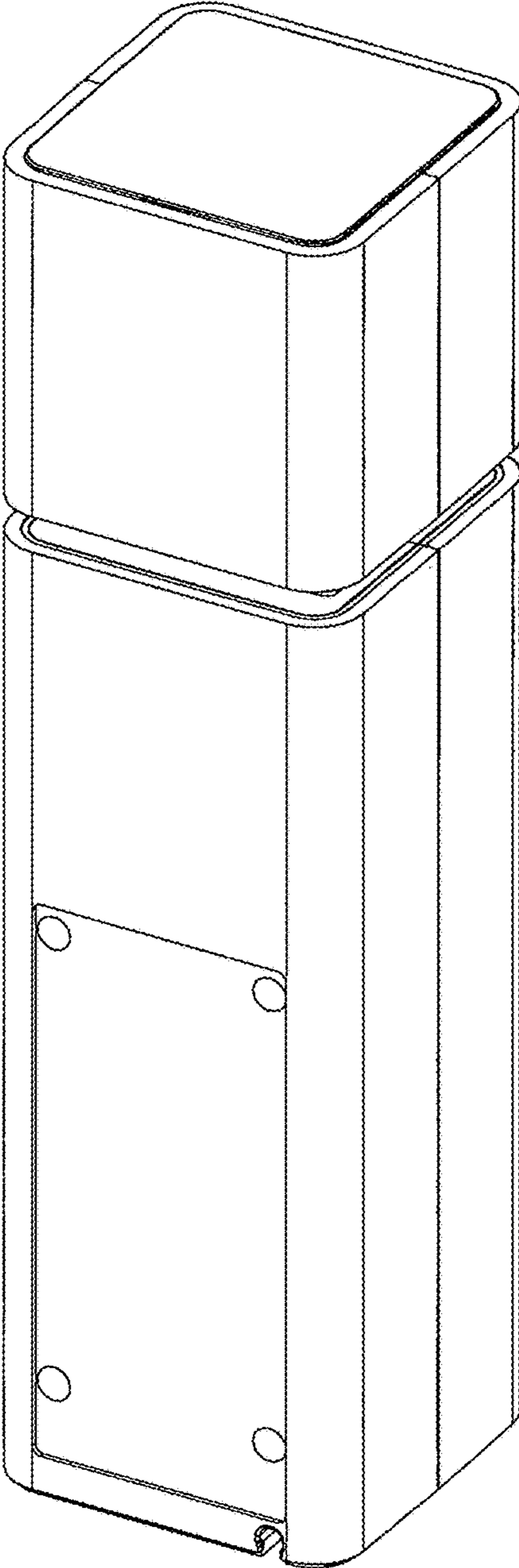


Fig. 8