



US00D853360S

(12) **United States Design Patent**
Kawabata

(10) **Patent No.:** **US D853,360 S**

(45) **Date of Patent:** **** Jul. 9, 2019**

(54) **EARPHONE**

(71) Applicant: **ONKYO CORPORATION**, Osaka
(JP)

(72) Inventor: **Tsutomu Kawabata**, Neyagawa (JP)

(**) Term: **15 Years**

(21) Appl. No.: **35/504,310**

(22) Filed: **Jul. 7, 2017**

(80) **Hague Agreement Data**

Int. Filing Date: **Jul. 7, 2017**

Int. Reg. No.: **DM/096952**

Int. Reg. Date: **Jul. 7, 2017**

Int. Reg. Pub. Date: **Jan. 12, 2018**

(51) **LOC (11) Cl.** **14-01**

(52) **U.S. Cl.**
USPC **D14/223**

(58) **Field of Classification Search**
USPC D14/204, 205, 206, 223, 224, 225, 249,
D14/433, 138 R, 188, 172, 203.1, 496;
D29/112; D24/174, 173, 106
CPC H04R 25/02; H04R 1/10; H04R 1/10016;
H04R 1/105; H04R 1/1083; H04R 1/02;
H04R 2420/07; H04R 2430/00
See application file for complete search history.

(56) **References Cited**

U.S. PATENT DOCUMENTS

D471,537 S * 3/2003 Ham D14/223
D510,574 S * 10/2005 Okada D14/223
D601,126 S * 9/2009 Christopher D14/206
D629,397 S * 12/2010 Hensen H04R 5/033
D710,333 S * 8/2014 Davies H04R 1/10
D713,385 S * 9/2014 Burgett D14/223

D761,770 S * 7/2016 Kanou D14/206
D803,816 S * 11/2017 Bolster D14/223
D809,486 S * 2/2018 Arimoto D14/223
D809,487 S * 2/2018 Lee D14/223
D816,637 S * 5/2018 Hardi D14/205
D830,337 S * 10/2018 Yan D14/206
2009/0214073 A1* 8/2009 Sandberg H04M 1/05
381/381
2010/0124349 A1* 5/2010 Bass H04R 1/10
381/379
2014/0270317 A1* 9/2014 Burgett H04R 1/1066
381/381
2014/0314248 A1* 10/2014 Ruiz H04R 1/1091
381/74
2017/0359644 A1* 12/2017 Cramer H04R 1/1041
2018/0270558 A1* 9/2018 Ring H04R 1/1016

OTHER PUBLICATIONS

SE-E7BT Pioneer, no date available, [online], [site visited Oct. 29, 2018]. Retrieved from url:https://www.pioneer-audiovisual.eu/eu/products/se-e7bt?headphones (Year: 2018).*

(Continued)

Primary Examiner — Jeffrey D Asch

Assistant Examiner — Tracey J Bell

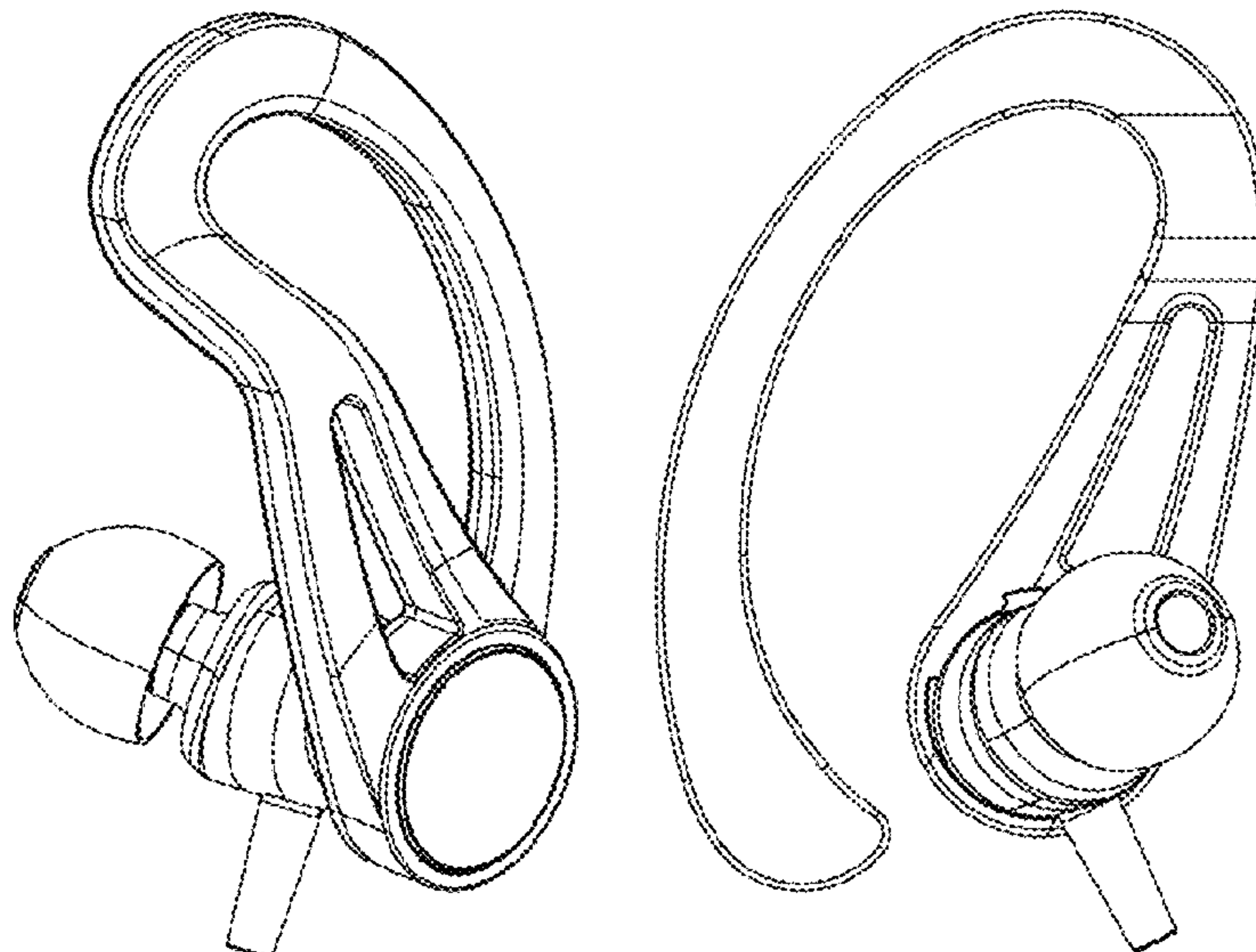
(57) **CLAIM**

The ornamental design for an earphone, as shown and described.

DESCRIPTION

- 1. Earphone
- 1.1 : Perspective
- 1.2 : Front
- 1.3 : Back
- 1.4 : Top
- 1.5 : Bottom
- 1.6 : Left
- 1.7 : Right

1 Claim, 7 Drawing Sheets



(56)

References Cited

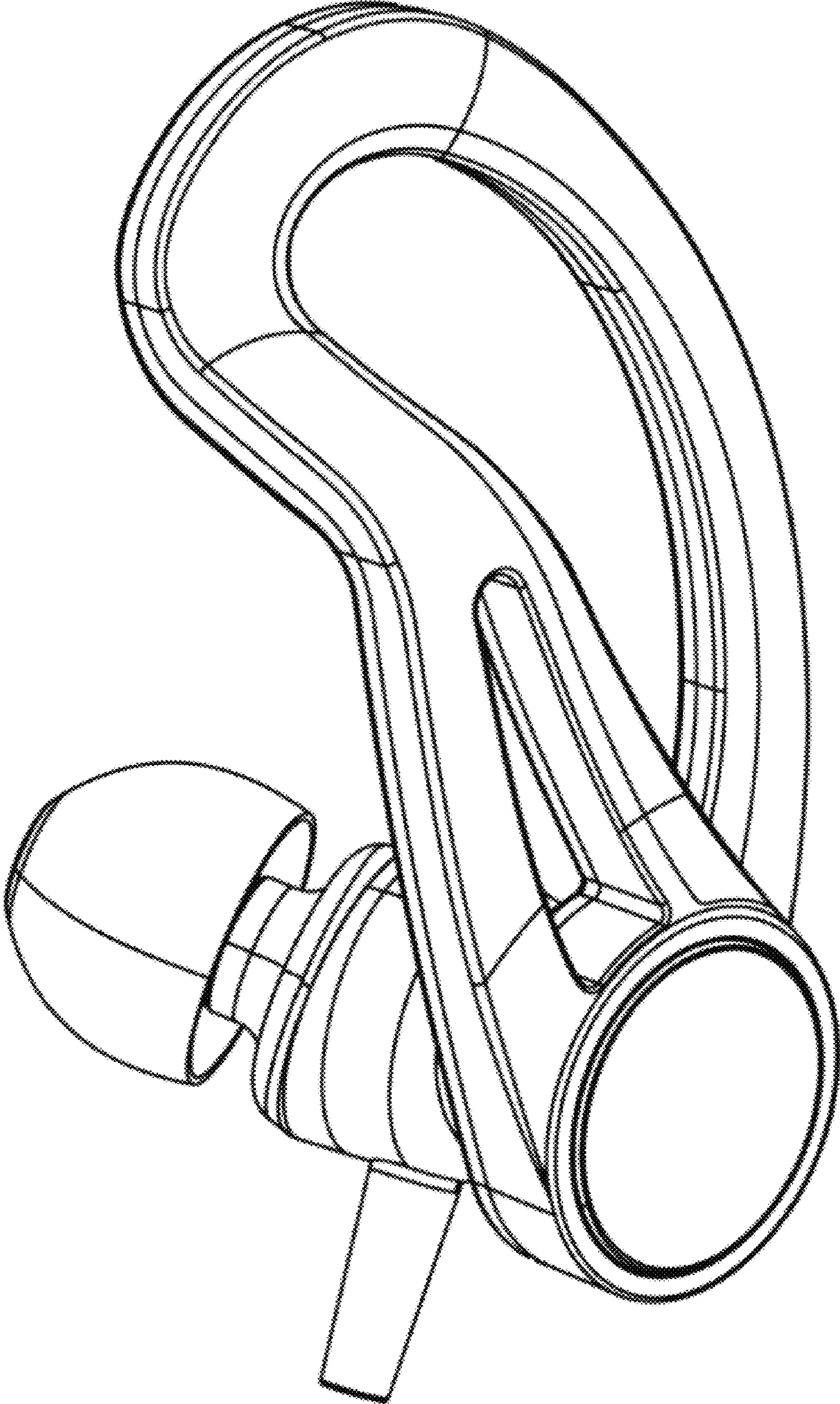
OTHER PUBLICATIONS

E7wireless Pioneer, as archived by the wayback machine on Oct. 20, 2017, [online], [site visited Oct. 29, 2018]. Retrieved from url:<https://web.archive.org/web/20171020002125/https://pioneer-headphones.com/sports/e7wireless.html> (Year: 2017).*

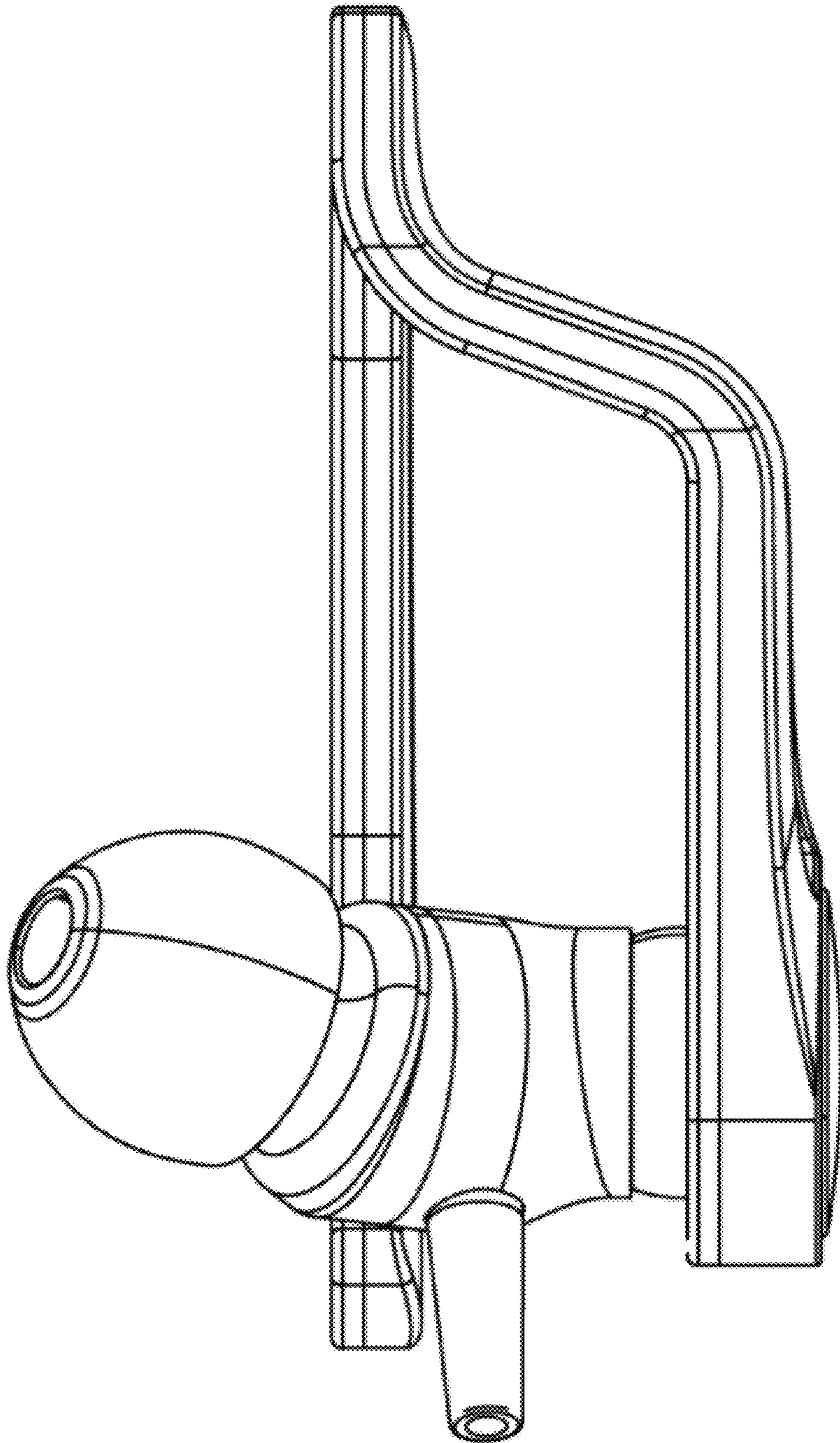
JLab Audio Epic Air Elite True Sport, no date available, [online], [site visited Oct. 29, 2018]. Retrieved from url:<https://www.bestbuy.com/site/jlab-audio-epic-air-elite-true-sport-wireless-in-ear-headphones-black/6211303.p?skuId=6211303> (Year: 2018).*

* cited by examiner

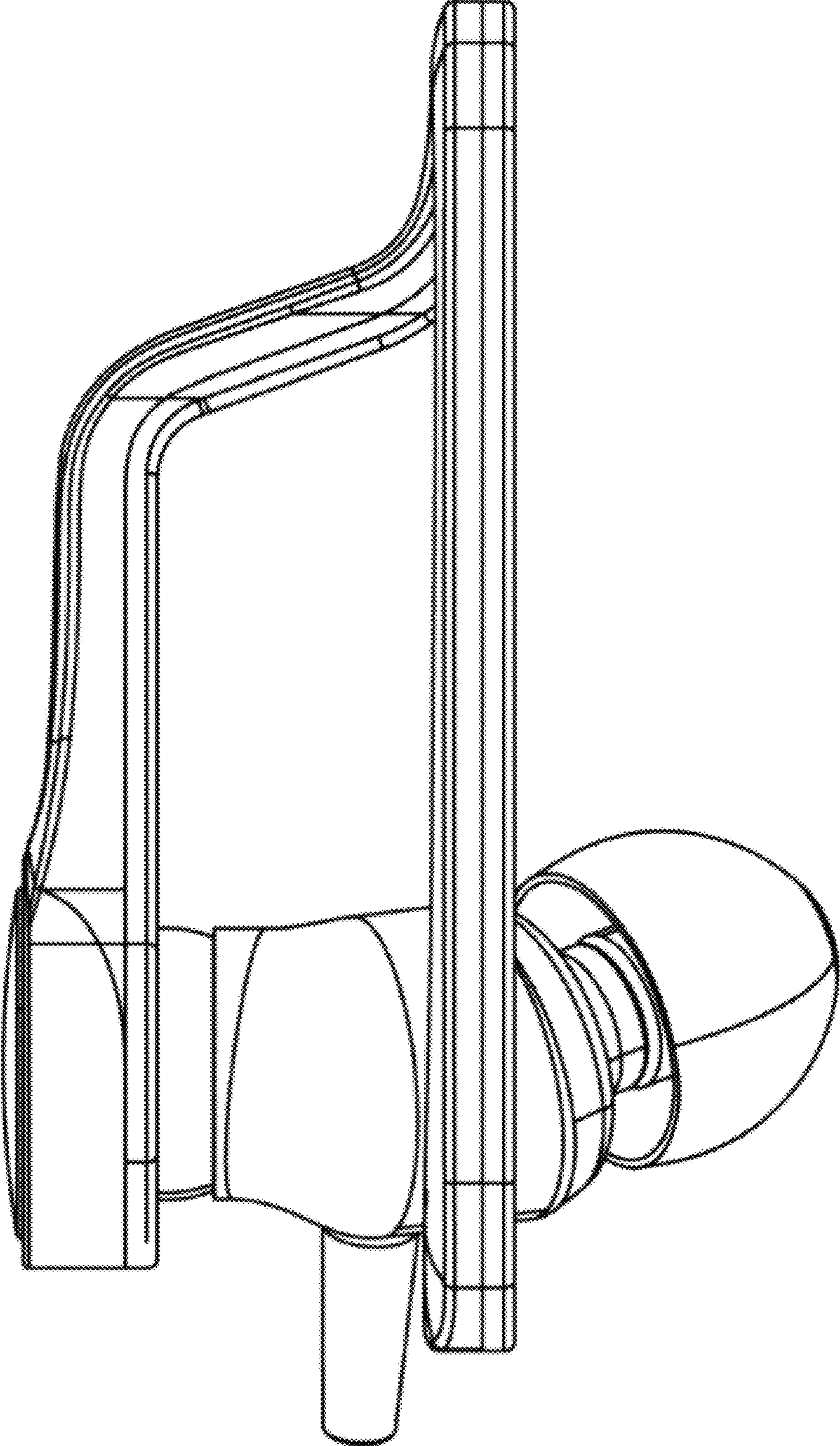
1.1



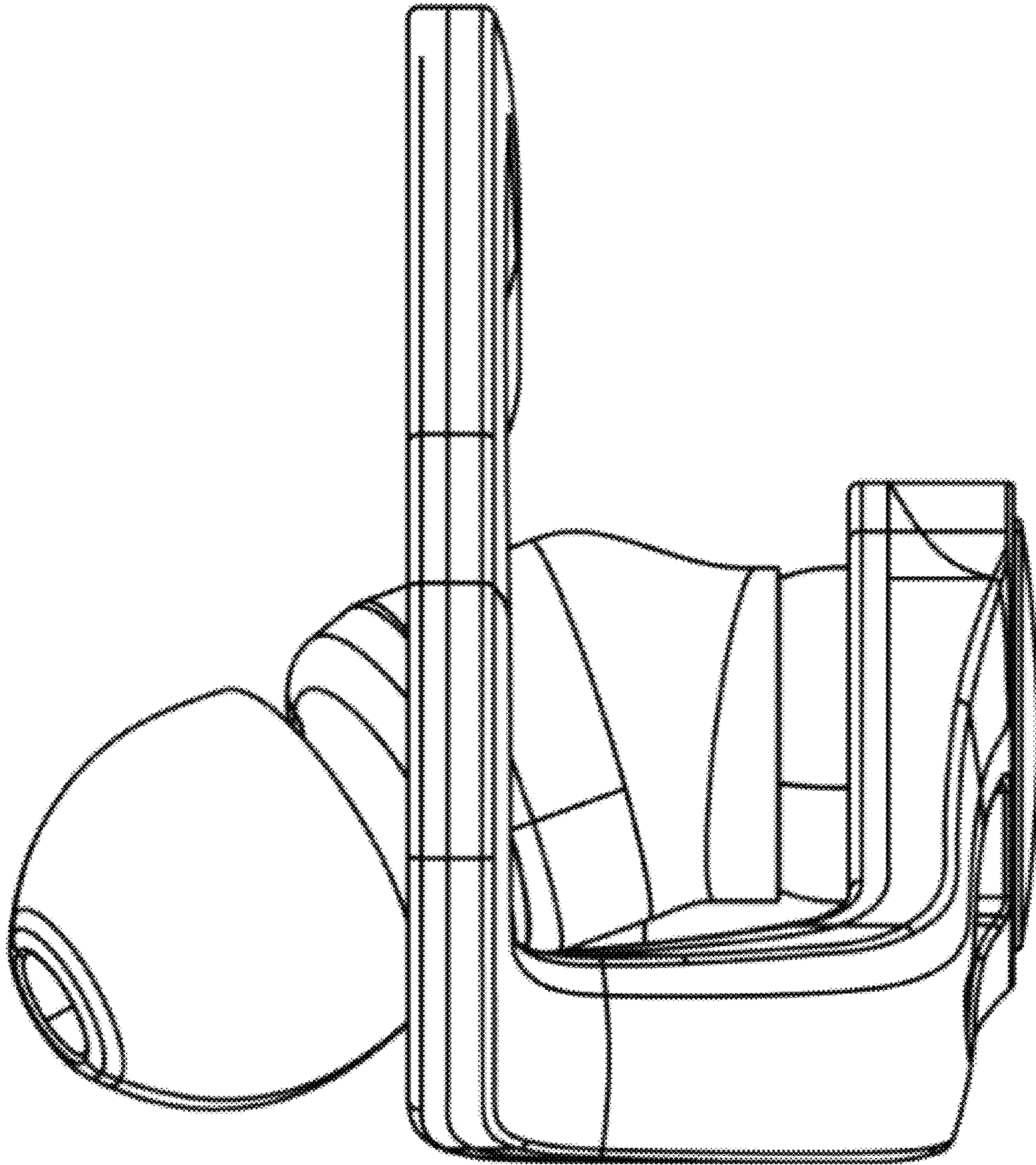
1.2



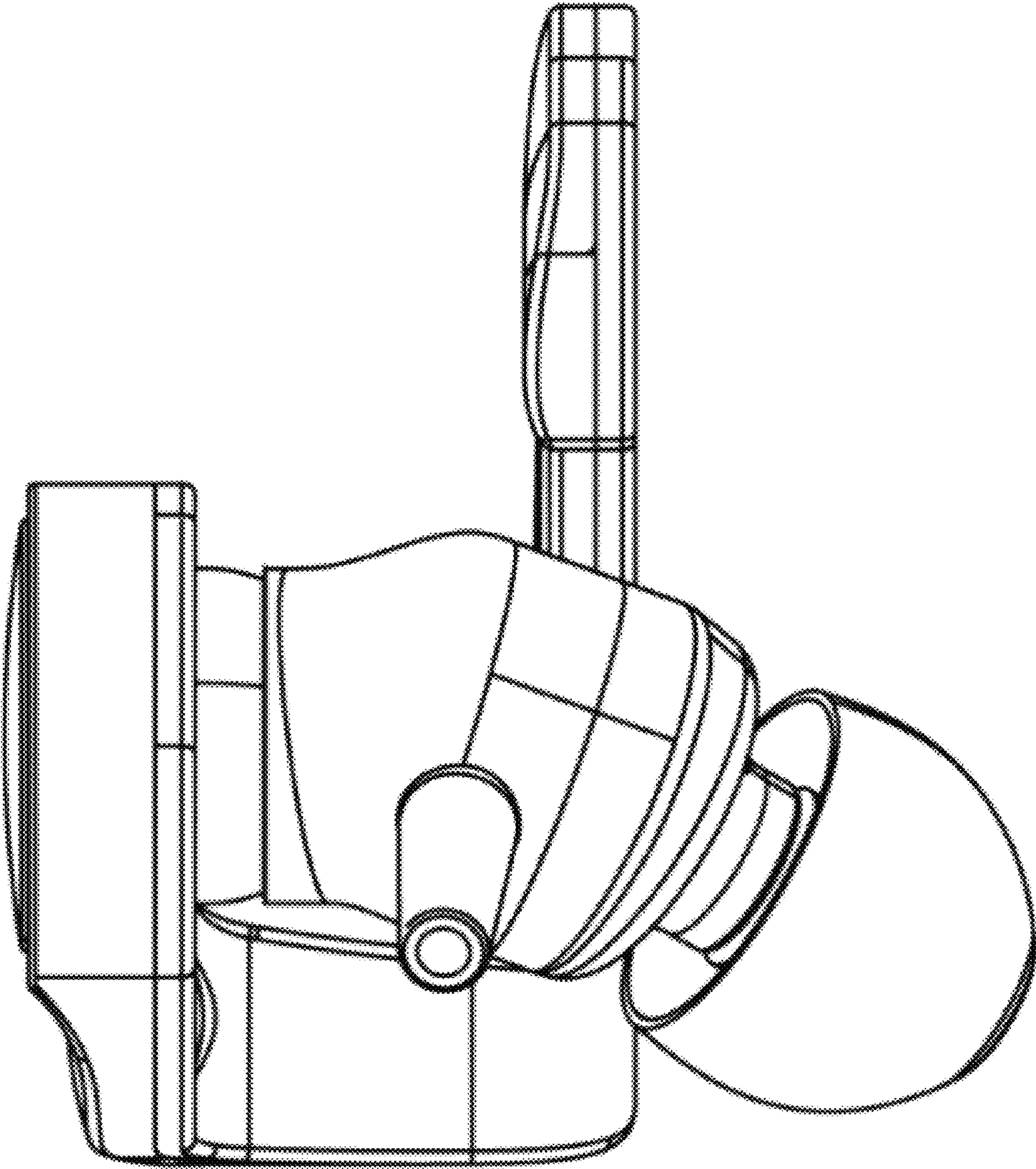
1.3



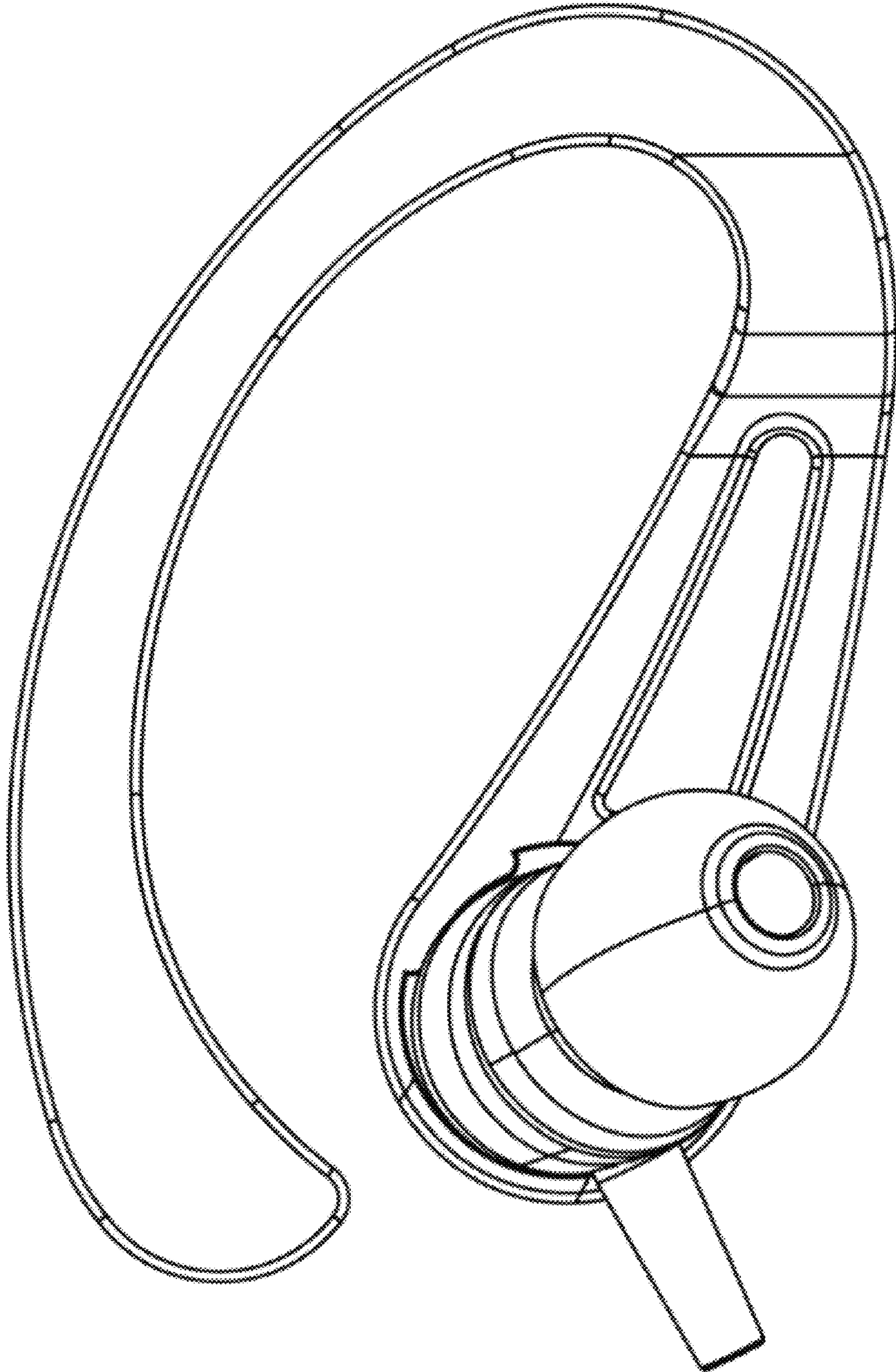
1.4



1.5



1.6



1.7

