



US00D853359S

(12) **United States Design Patent**
Guo

(10) **Patent No.:** **US D853,359 S**

(45) **Date of Patent:** **** Jul. 9, 2019**

(54) **HOUSING FOR HIGH-FIDELITY EARBUD**

(71) Applicant: **Yong Guo**, Dongguan (CN)

(72) Inventor: **Yong Guo**, Dongguan (CN)

(**) Term: **15 Years**

(21) Appl. No.: **29/634,907**

(22) Filed: **Jan. 25, 2018**

(51) **LOC (11) Cl.** **14-01**

(52) **U.S. Cl.**
USPC **D14/223**

(58) **Field of Classification Search**
USPC D14/223, 205; D24/174; 128/864, 865,
128/866; 181/129, 130, 135; 379/430,
379/431; 381/380, 381, 324, 327, 328;
455/90.3, 575.1, 569.1
CPC H04R 25/00; H04R 25/02; H04R 1/1041;
H04R 1/10; H04R 1/105; H04R 1/02;
H04R 1/1016; H04R 1/1066; H04R
1/1091; H04R 1/1058; A61F 11/08
See application file for complete search history.

(56) **References Cited**

U.S. PATENT DOCUMENTS

2,325,590	A *	7/1943	Carlisle	H04R 11/06
					381/322
D206,162	S *	11/1966	Geib	D24/174
D206,665	S *	1/1967	Sanzone	D24/174
D208,784	S *	10/1967	Sanzone	D24/174
D213,109	S *	1/1969	Young	D24/174
D213,448	S *	3/1969	Giller	D24/174
3,529,102	A *	9/1970	Rosenstand	H04R 25/604
					381/323
3,598,928	A *	8/1971	Hickox	H04R 25/608
					200/292
4,375,016	A *	2/1983	Harada	H04R 25/656
					181/135
4,471,490	A *	9/1984	Bellafore	H04R 25/65
					29/460

4,532,649	A *	7/1985	Bellafore	H04R 25/65
					381/324
4,588,867	A *	5/1986	Konomi	H04R 1/46
					379/430
4,602,642	A *	7/1986	O'Hara	G01J 5/02
					374/126

(Continued)

Primary Examiner — Paula Allen Greene

(74) *Attorney, Agent, or Firm* — Law Offices of Steven W. Weinrieb

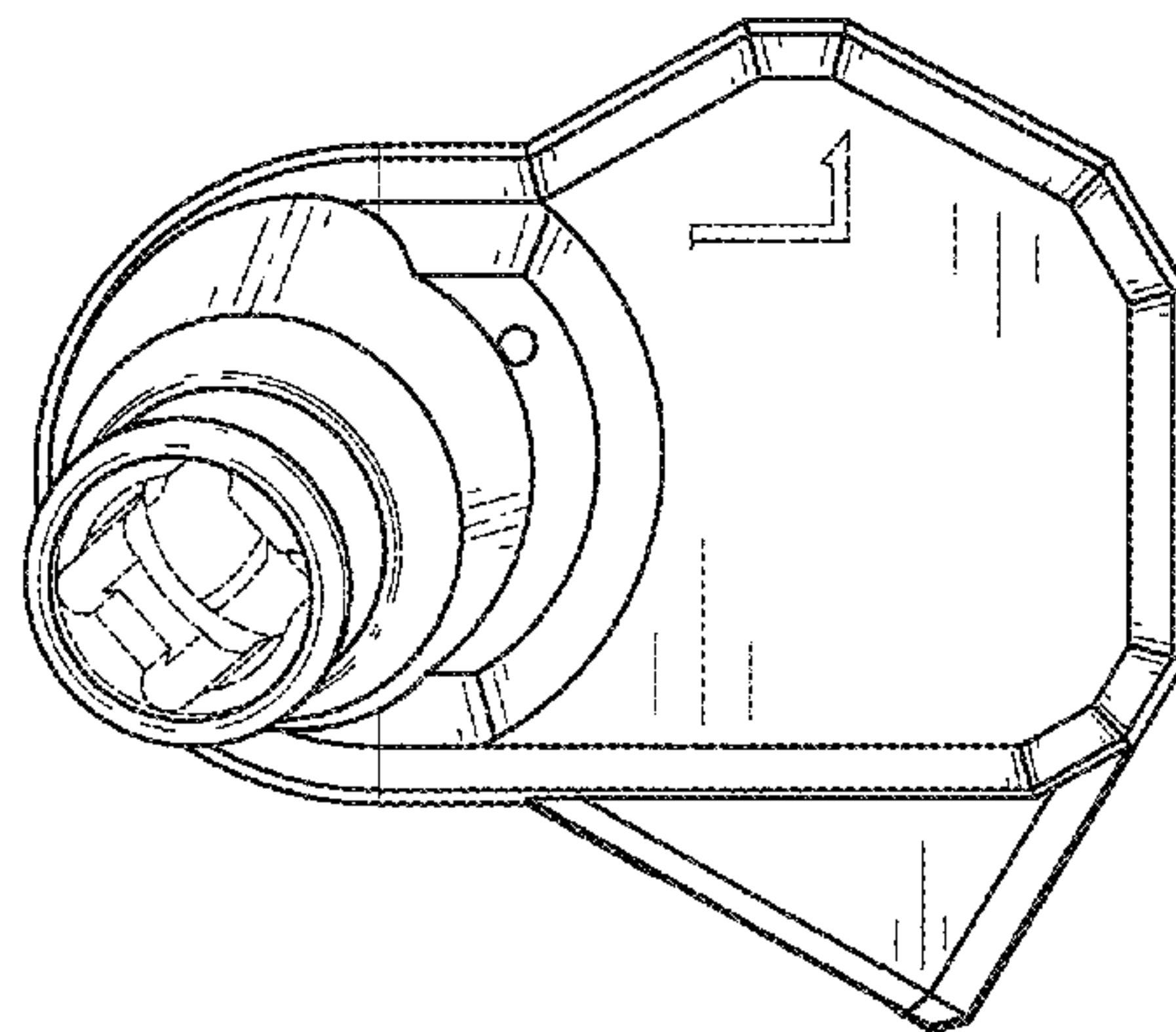
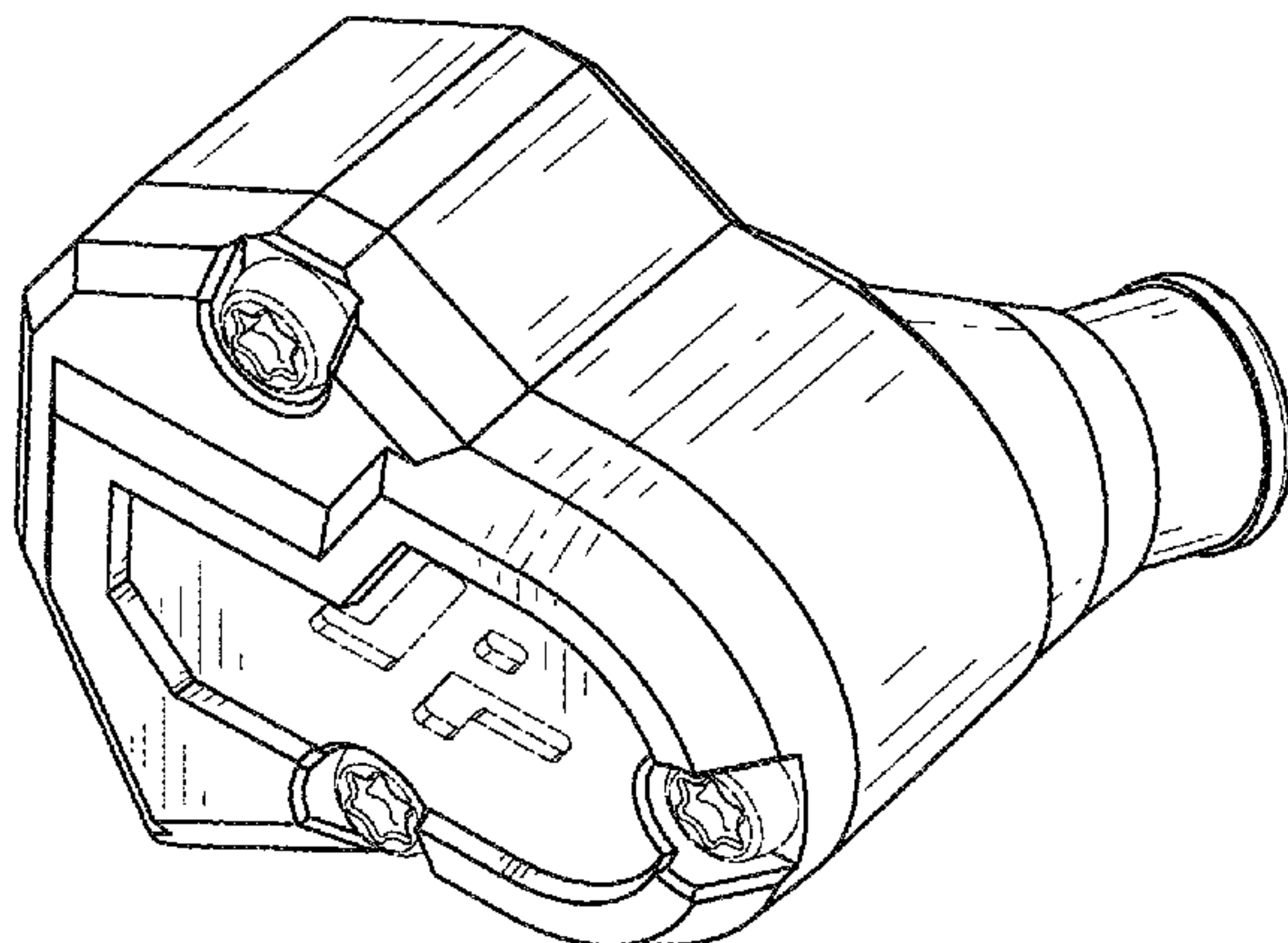
(57) **CLAIM**

The ornamental design for housing for high-fidelity earbud, as shown and described.

DESCRIPTION

FIG. 1 is a front, right side, top perspective view of the housing for high-fidelity earbud showing my new design; FIG. 2 is a rear, left side bottom perspective view thereof; FIG. 3 is a front elevational view thereof; FIG. 4 is a rear elevational view thereof; FIG. 5 is a left side elevational view thereof; FIG. 6 is a right side elevational view thereof; FIG. 7 is a top plan view thereof with the ear bud oriented rearwardly; FIG. 8 is a bottom plan view thereof; FIG. 9 is a front, left side, bottom perspective view of the housing for high-fidelity earbud showing my new design; FIG. 10 is a rear, left side, bottom perspective view thereof; FIG. 11 is an inverted rear elevational view thereof; FIG. 12 is a rear, inverted, elevational view thereof; and FIG. 13 is a left side elevational view thereof; FIG. 14 is a right side elevational view thereof; FIG. 15 is a top plan view thereof; FIG. 16 is a bottom plan view thereof; and, FIG. 17 is a usage perspective view thereof. The broken lines depict environment that forms no part of the claimed design.

1 Claim, 17 Drawing Sheets



(56)

References Cited

U.S. PATENT DOCUMENTS

4,716,985 A * 1/1988 Haertl H04R 25/65
181/130
4,720,857 A * 1/1988 Burris H04M 1/05
379/430
4,739,512 A * 4/1988 Hartl H04R 25/65
381/324
D297,979 S * 10/1988 Voroba D24/174
4,852,177 A * 7/1989 Ambrose H04R 1/1016
381/338
4,953,215 A * 8/1990 Weiss H04R 25/654
181/130
4,969,534 A * 11/1990 Kolpe H04R 25/456
181/130
4,984,277 A * 1/1991 Bisgaard H04R 25/654
381/322
5,185,802 A * 2/1993 Stanton H04R 25/60
181/129
5,295,193 A * 3/1994 Ono H04R 1/1016
381/151
5,327,500 A * 7/1994 Campbell H04R 25/654
381/322
D367,113 S * 2/1996 Weeks D24/174
5,748,743 A * 5/1998 Weeks H04R 25/654
381/312
5,757,934 A * 5/1998 Yokoi H04M 1/6058
379/430
D397,796 S * 9/1998 Yabe D24/174
5,844,984 A * 12/1998 Yamaguchi H04R 1/1016
379/430
5,991,652 A * 11/1999 Barthelemy G01J 5/04
374/208
D451,493 S * 12/2001 Ng D14/189
D455,835 S * 4/2002 Anderson D24/174
D457,514 S * 5/2002 Marion D14/223
6,574,345 B1 * 6/2003 Huang H04R 1/1016
379/430
D514,551 S * 2/2006 Lee D14/205
D516,058 S * 2/2006 Garcia D14/205
7,079,664 B2 * 7/2006 Nassimi H04R 25/558
381/328
D532,520 S * 11/2006 Kampmeier D24/174
D540,312 S * 4/2007 Atamaniuk D14/223
D542,773 S * 5/2007 Drambarean D14/205
D550,201 S * 9/2007 Drambarean D14/205
D550,657 S * 9/2007 Gan D14/223
D554,756 S * 11/2007 Sjursen D24/174
D582,897 S * 12/2008 Christopher D14/223
7,639,825 B2 * 12/2009 Fukuda H04M 1/03
381/151

D616,874 S * 6/2010 Matsuoka D14/223
D622,855 S * 8/2010 Cano, Jr. D24/174
D631,470 S * 1/2011 Yoneyama D14/223
D635,677 S * 4/2011 Voix D24/174
7,965,855 B1 * 6/2011 Ham H04R 1/1091
181/130
D642,162 S * 7/2011 Wang D14/223
D652,822 S * 1/2012 Lee D14/223
D655,693 S * 3/2012 Silvestri D14/223
D674,376 S * 1/2013 Kelly D14/223
D674,490 S * 1/2013 Bailey D24/174
D674,491 S * 1/2013 Bailey D24/174
D677,388 S * 3/2013 Campbell D24/174
D683,333 S * 5/2013 Lee D14/223
8,447,061 B2 * 5/2013 Lee H04R 1/1091
381/181
D685,481 S * 7/2013 Heaysman D24/174
8,565,466 B2 * 10/2013 Kuhr H04R 1/1016
381/322
D705,760 S * 5/2014 Drambarean H04R 25/00
D14/223
D711,858 S * 8/2014 Yang D14/223
D715,775 S * 10/2014 Rueskov D14/221
D728,107 S * 4/2015 Torres Martin D24/174
D735,169 S * 7/2015 Shieh D14/223
D737,251 S * 8/2015 Thompson D14/223
D744,456 S * 12/2015 Pedersen D14/223
D764,445 S * 8/2016 Czaniecki D14/223
D773,439 S * 12/2016 Walker D14/205
D789,909 S * 6/2017 Hung D14/223
D797,079 S * 9/2017 Houle D14/223
D805,060 S * 12/2017 Loermann D14/223
D806,879 S * 1/2018 Horbinski D24/174
D810,054 S * 2/2018 Yuan D14/223
D812,042 S * 3/2018 Xiao D14/223
D824,371 S * 7/2018 Loermann D14/223
10,178,464 B2 * 1/2019 Hussein A61F 11/08
2005/0053251 A1 * 3/2005 King H04R 25/402
381/322
2005/0238192 A1 * 10/2005 Ford H04R 25/654
381/322
2009/0304226 A1 * 12/2009 Tewfik G06T 1/0028
382/100
2011/0034218 A1 * 2/2011 Sung H04R 1/2842
455/569.1
2011/0228947 A1 * 9/2011 Killion A61F 11/08
381/72
2012/0087532 A1 * 4/2012 Yang H04R 1/10
381/380
2013/0259286 A1 * 10/2013 Chung H04R 1/1016
381/380

* cited by examiner

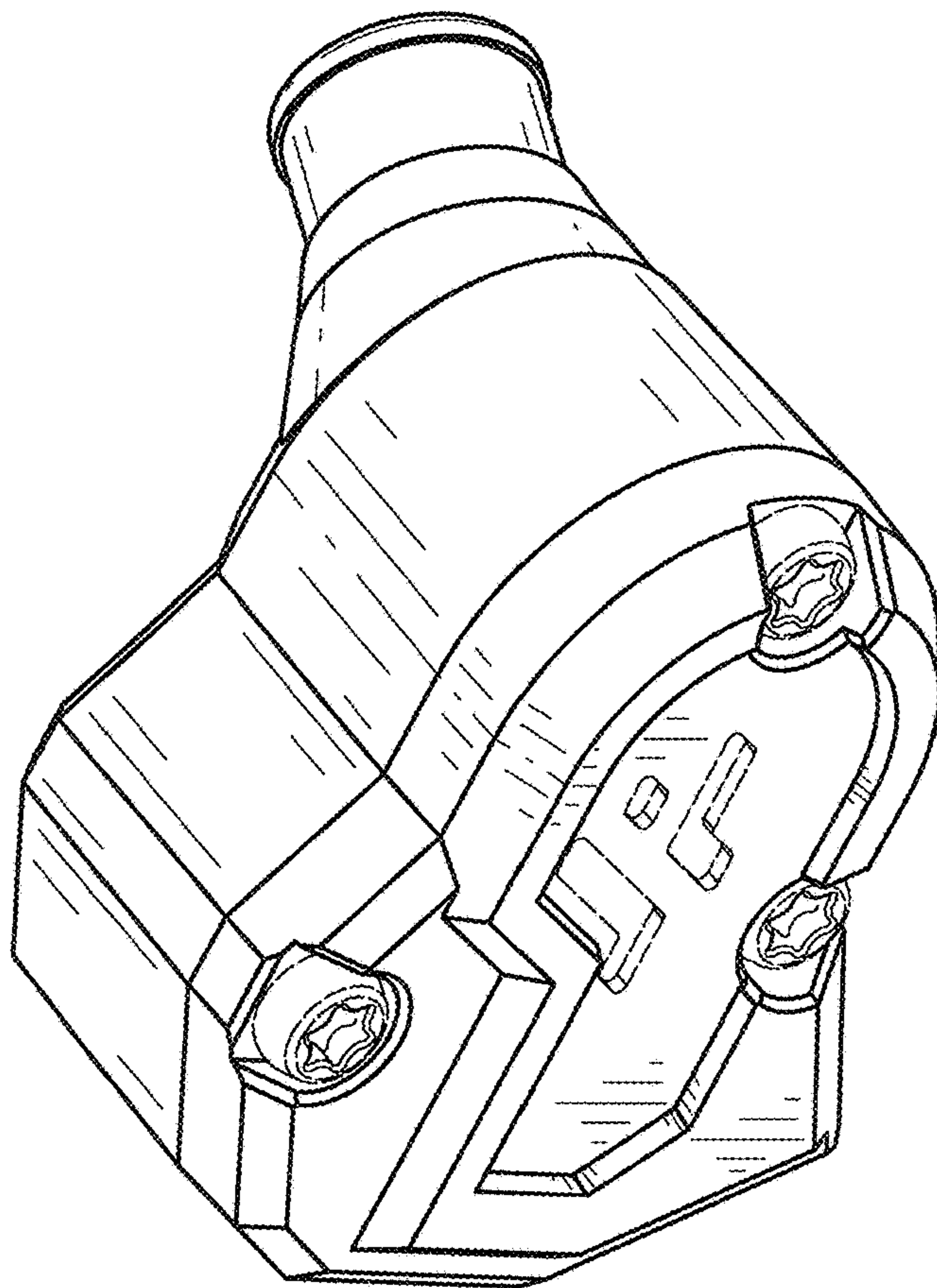


FIG. 1

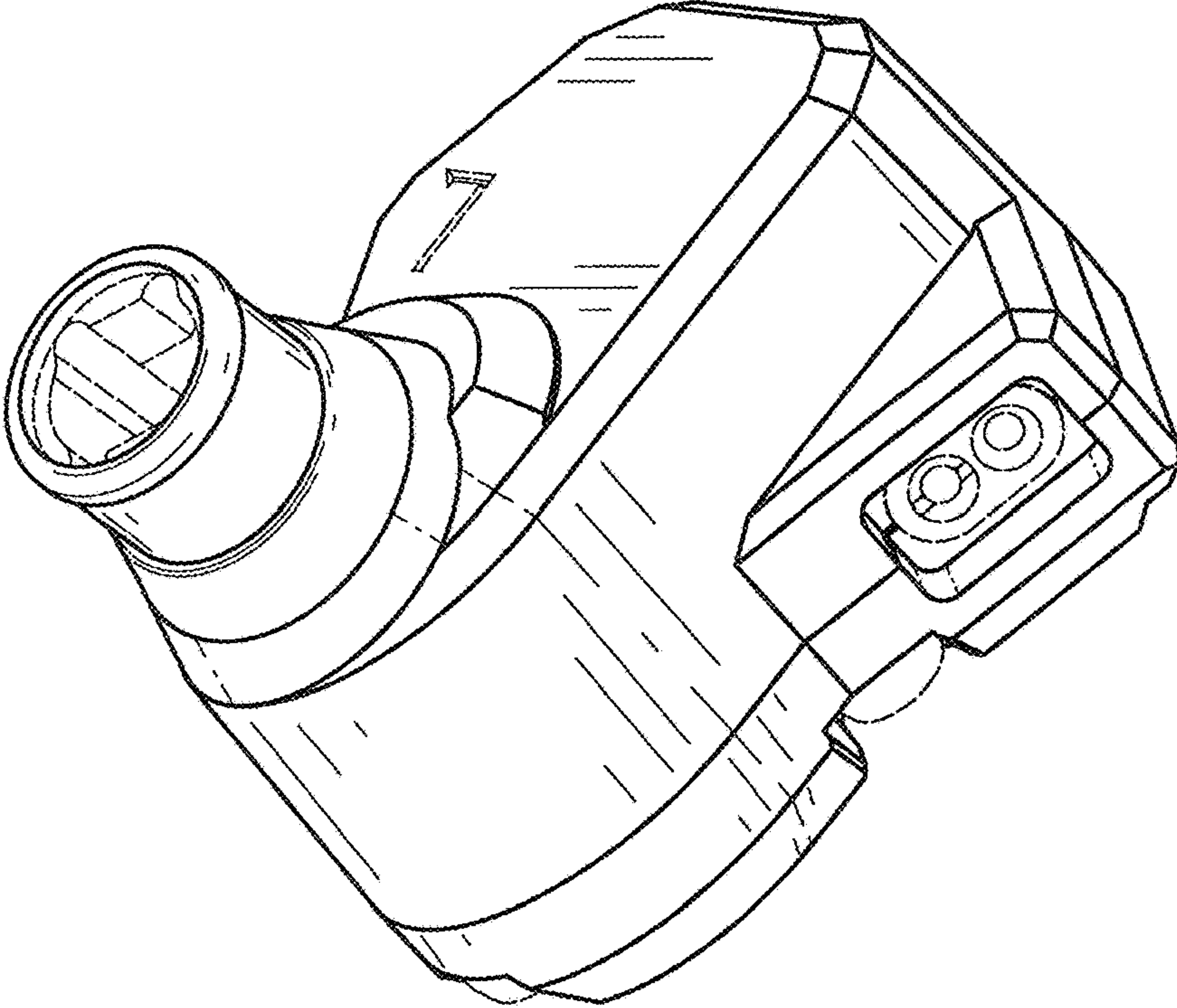


FIG. 2

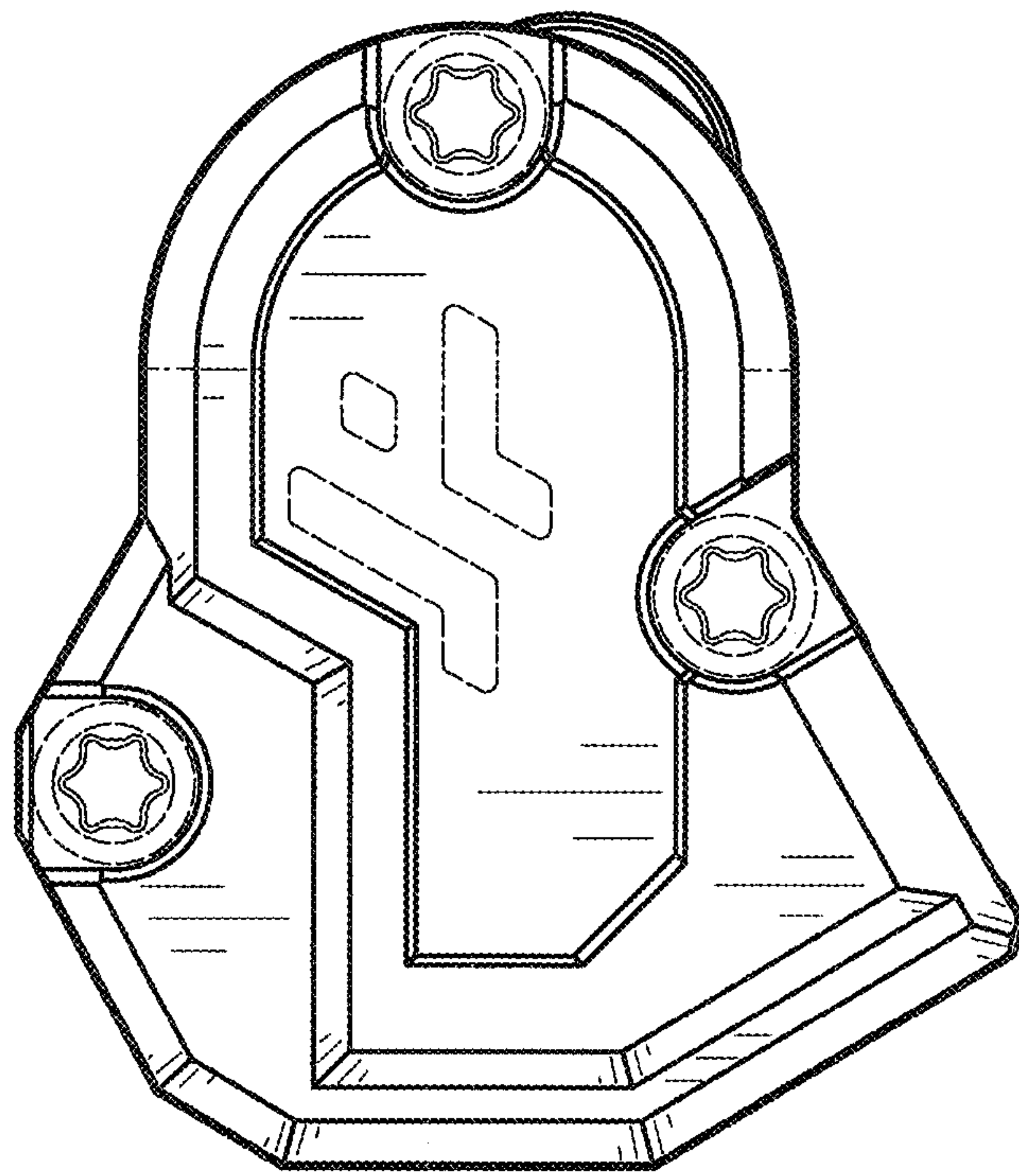


FIG. 3

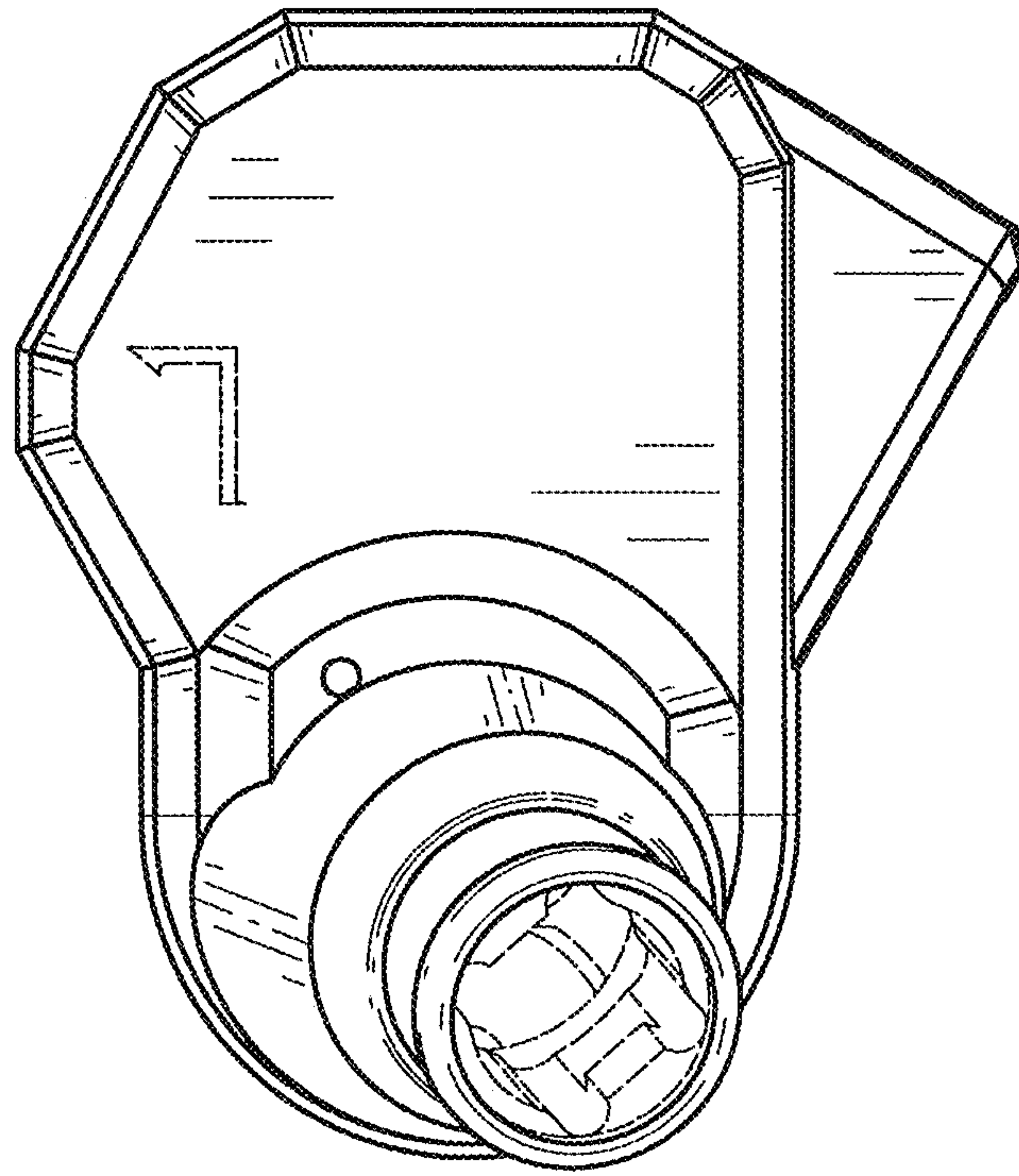


FIG. 4

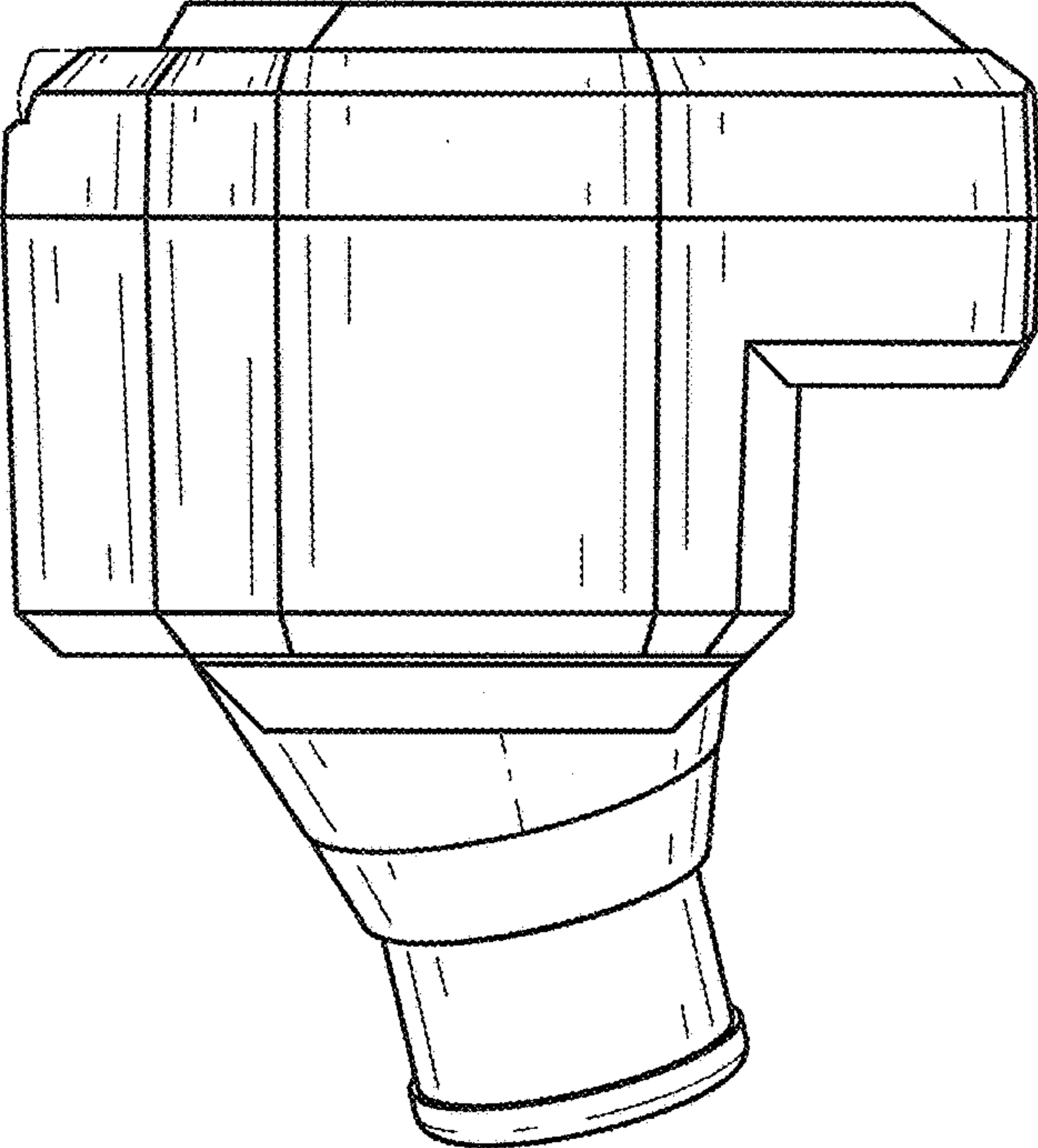


FIG. 5

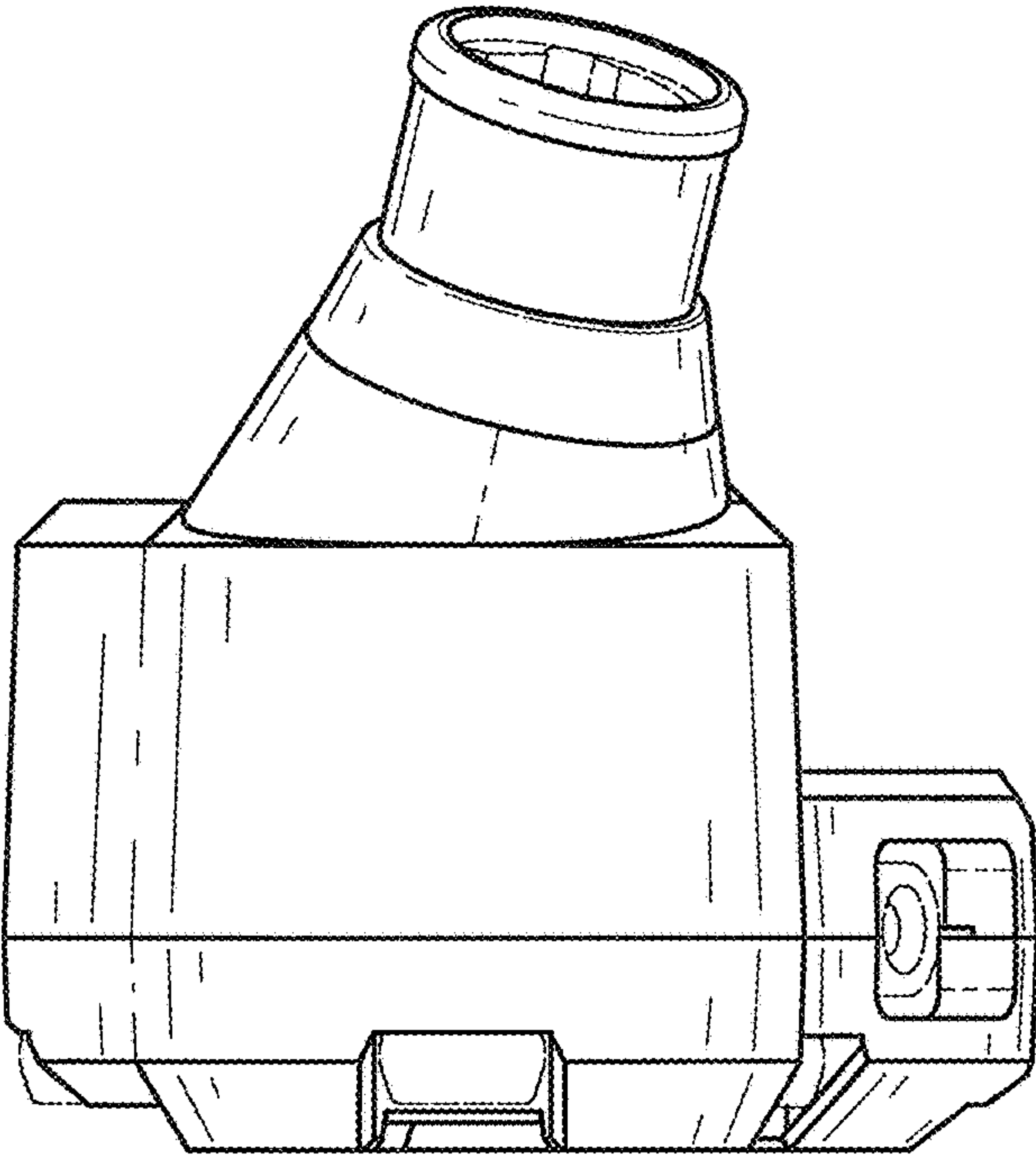


FIG. 6

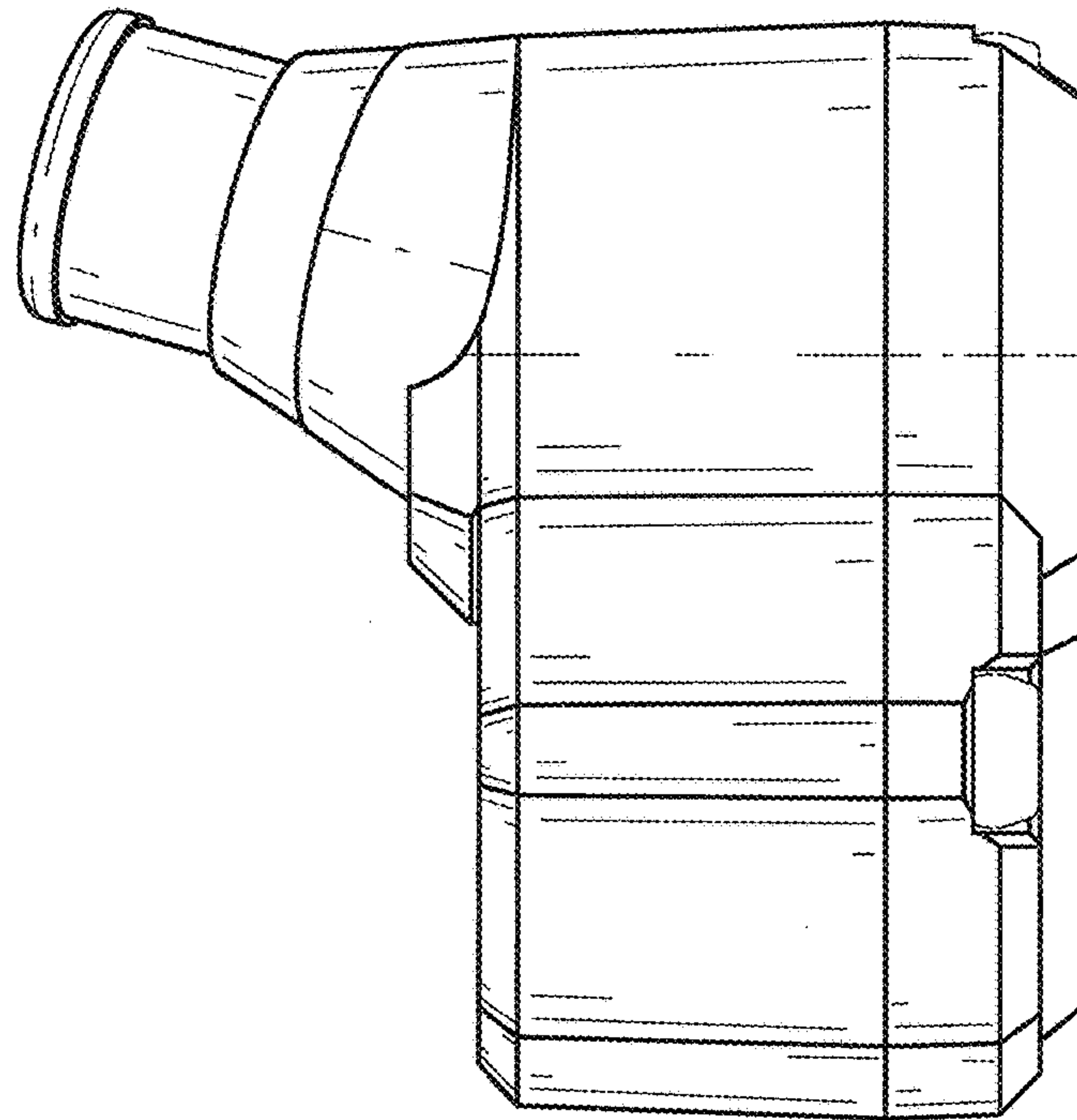


FIG. 7

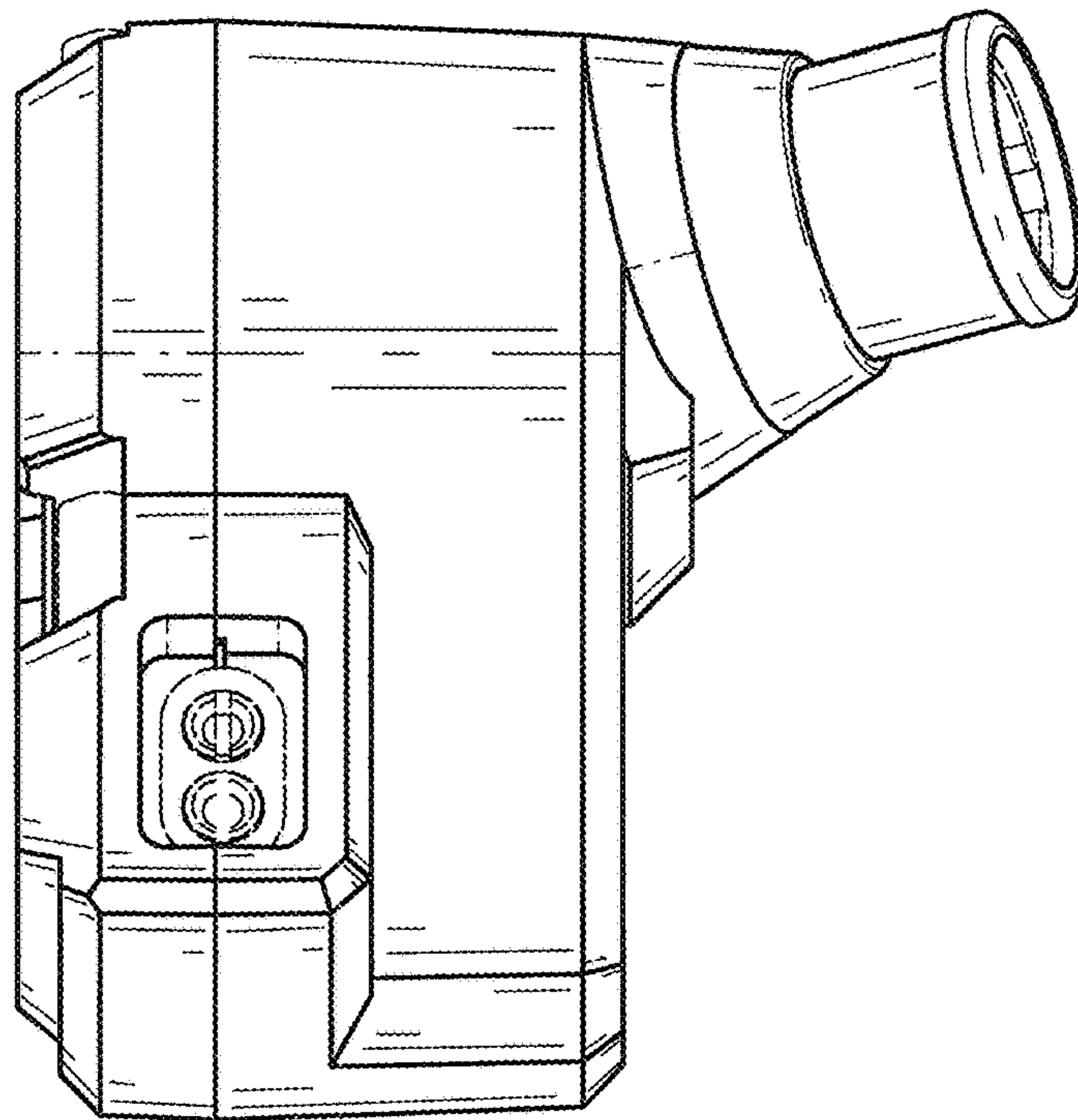


FIG. 8

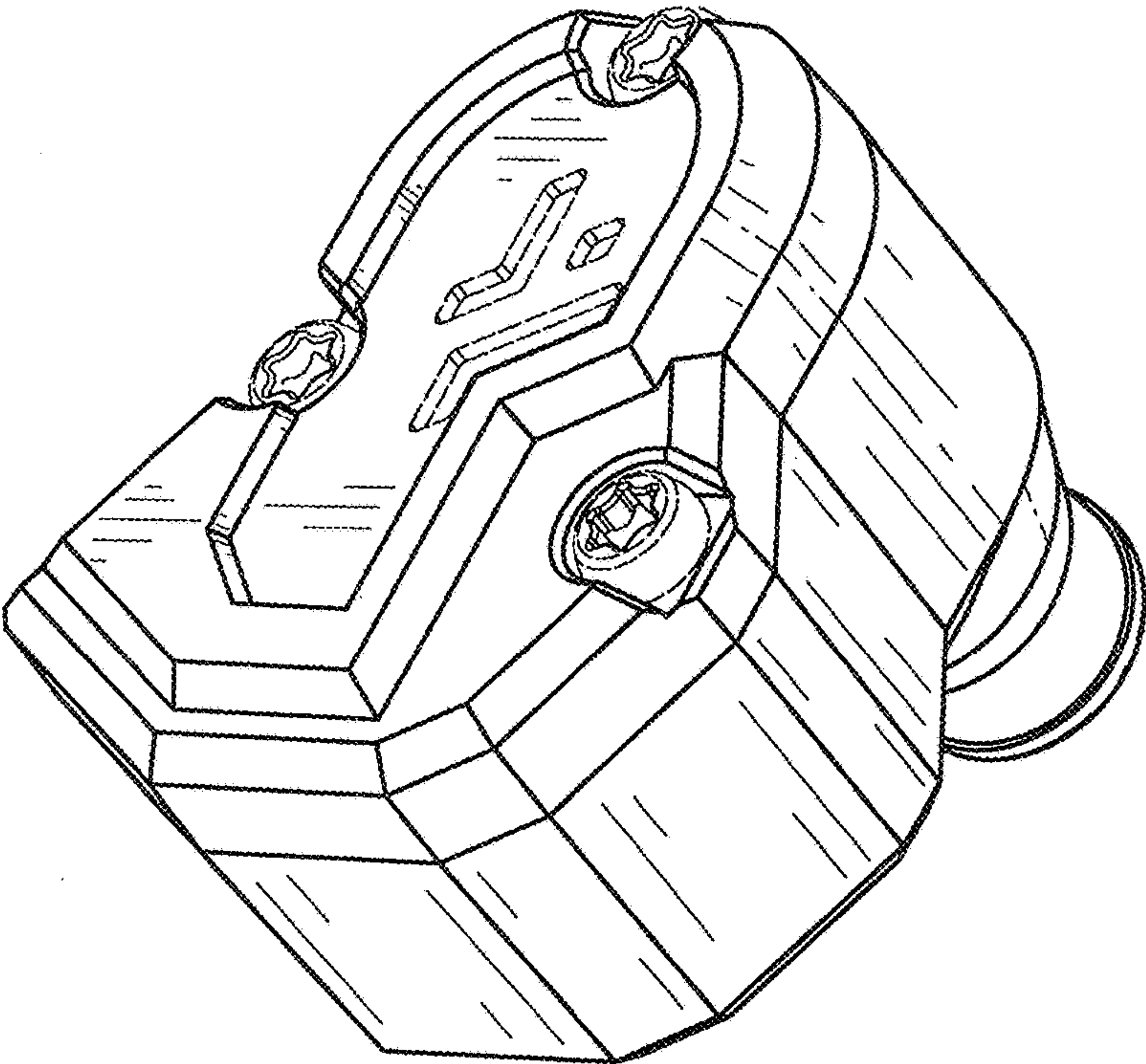


FIG. 9

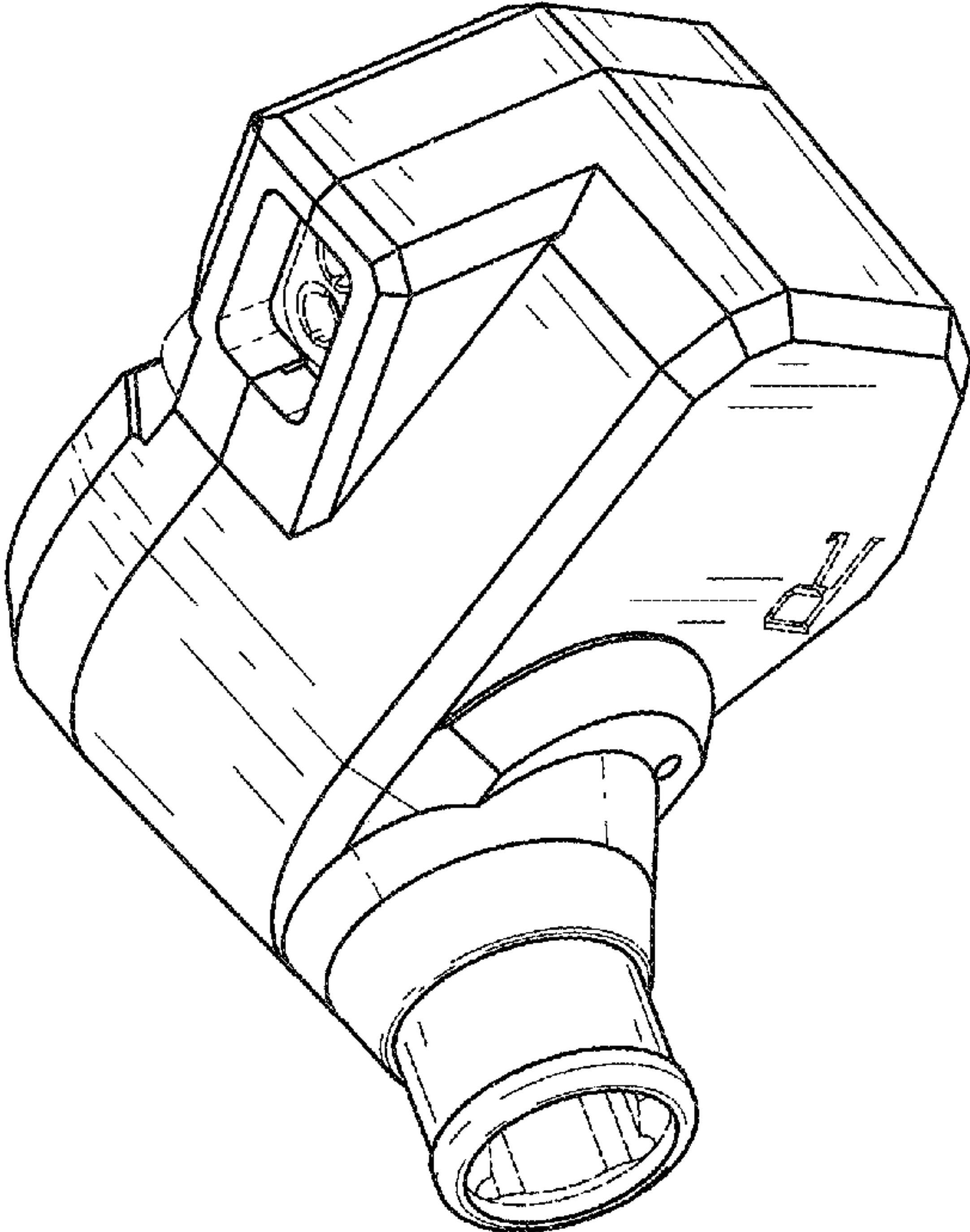


FIG. 10

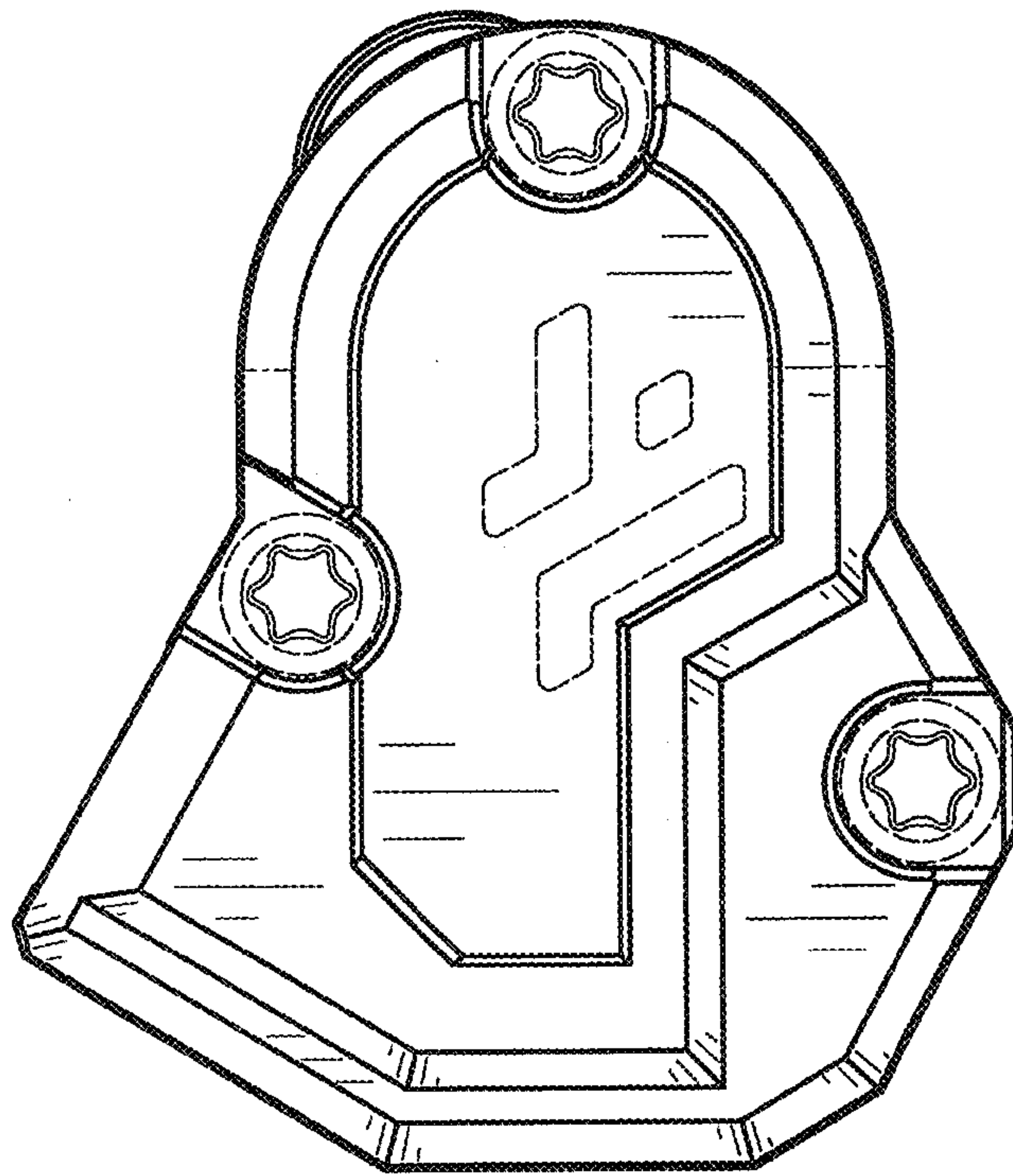


FIG. 11

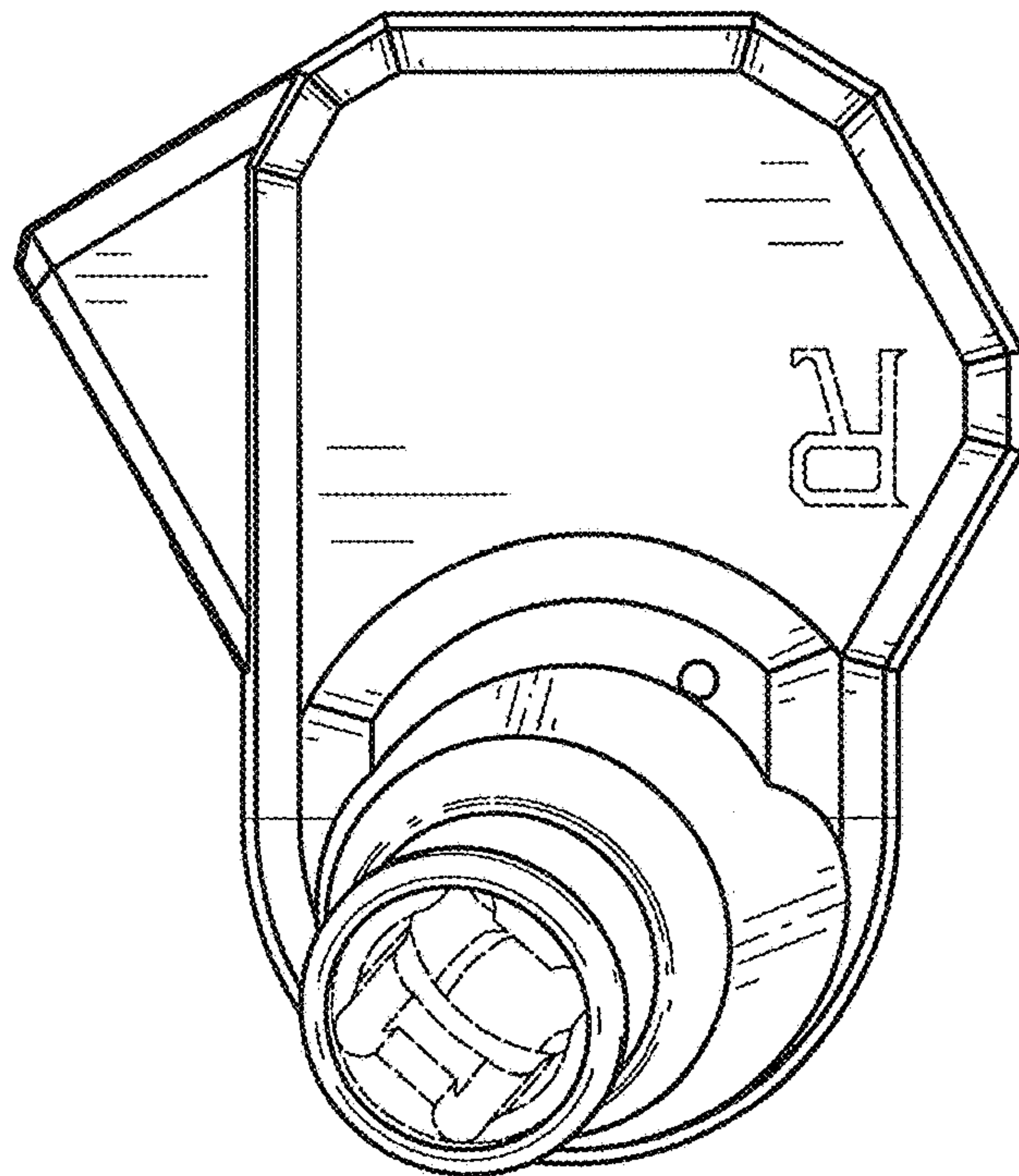


FIG. 12

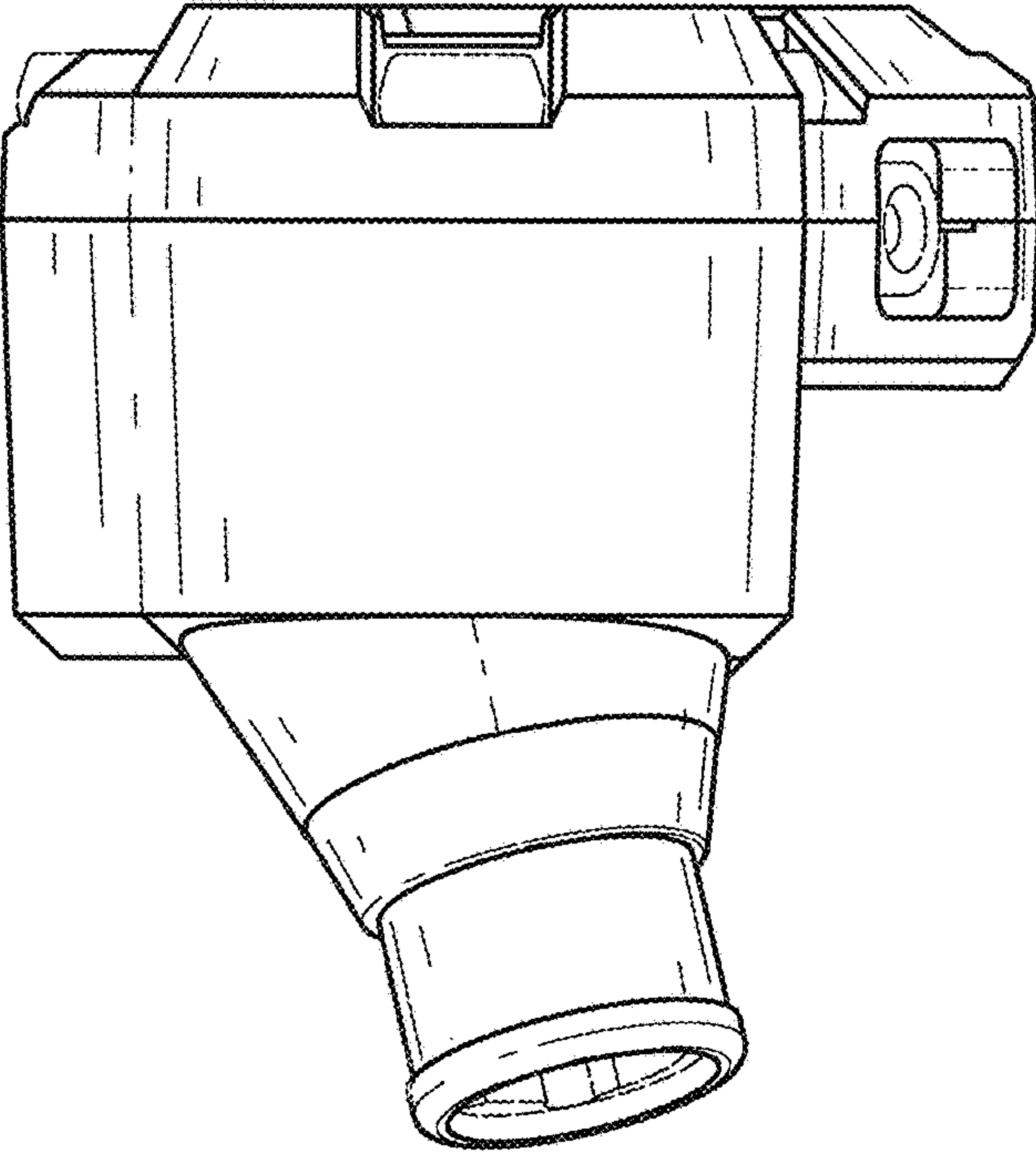


FIG. 13

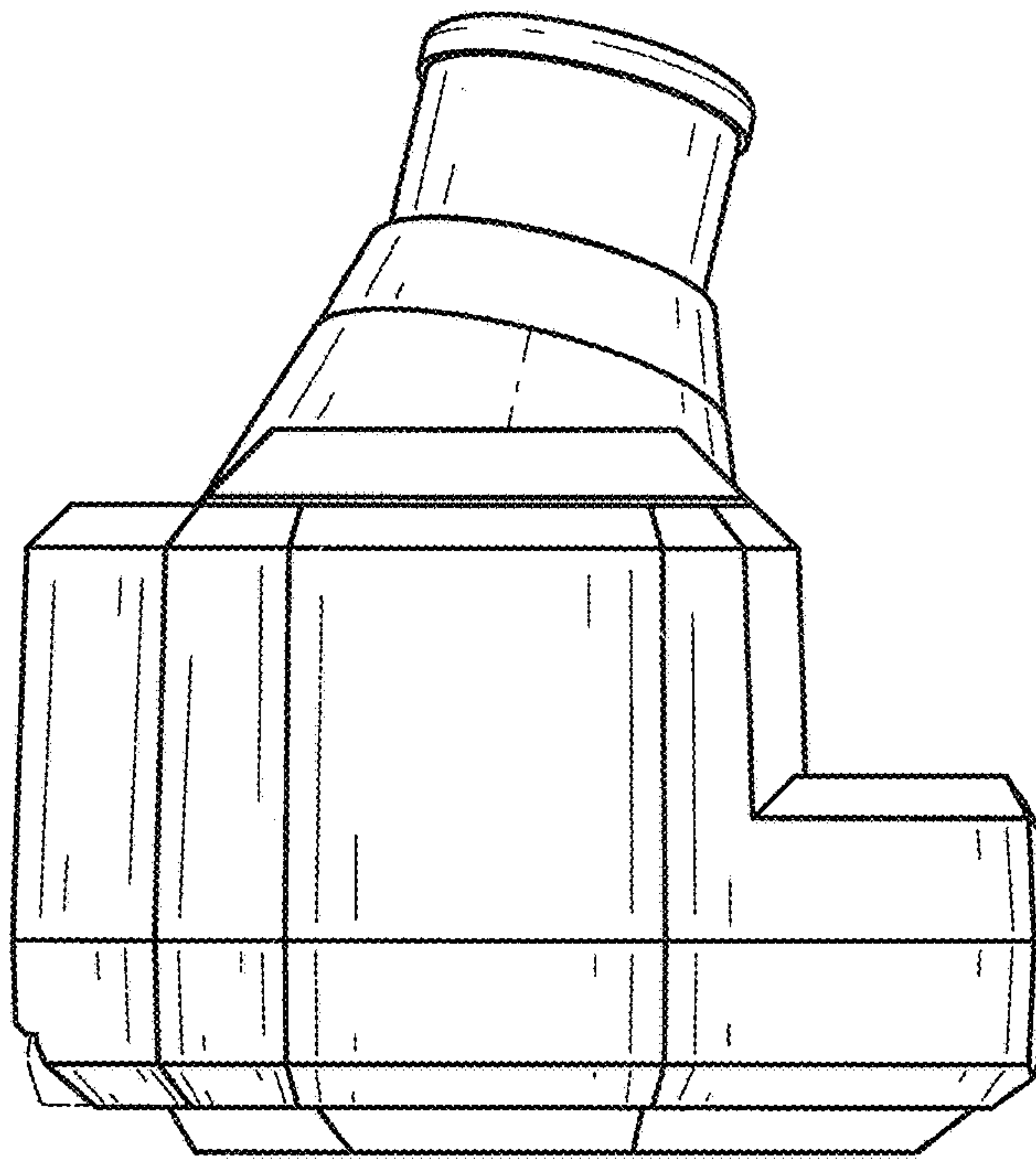


FIG. 14

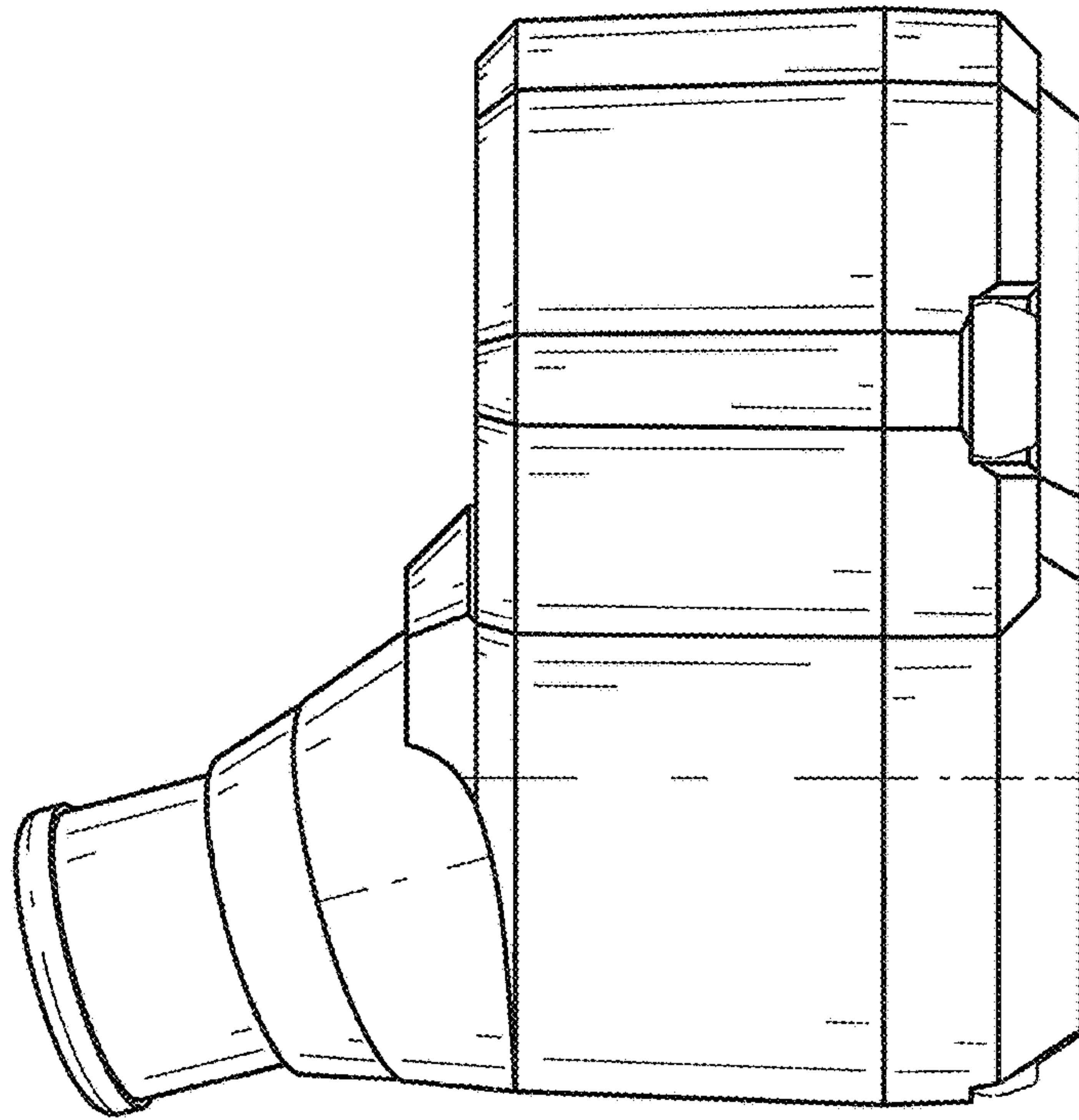


FIG. 15

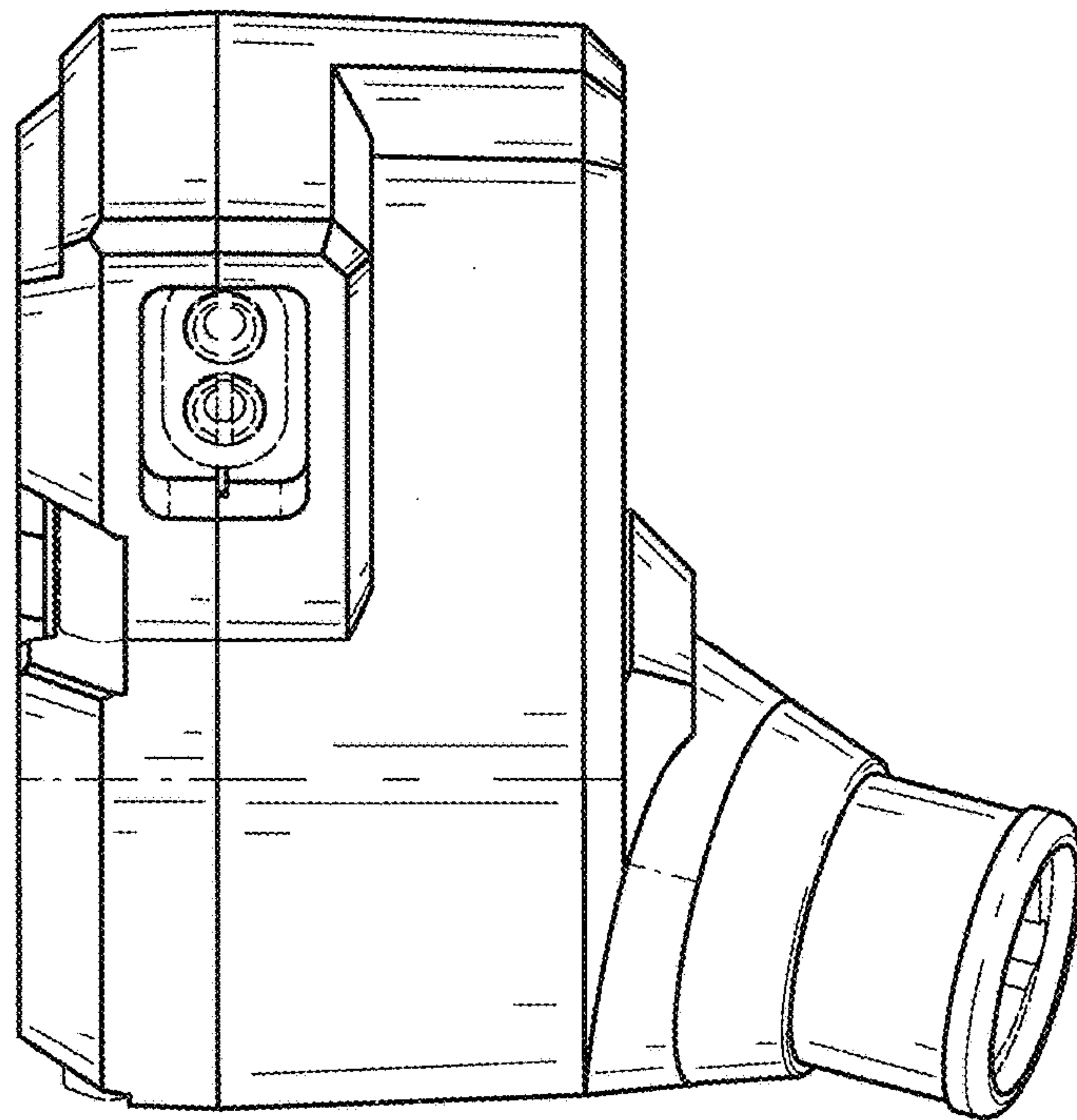


FIG. 16

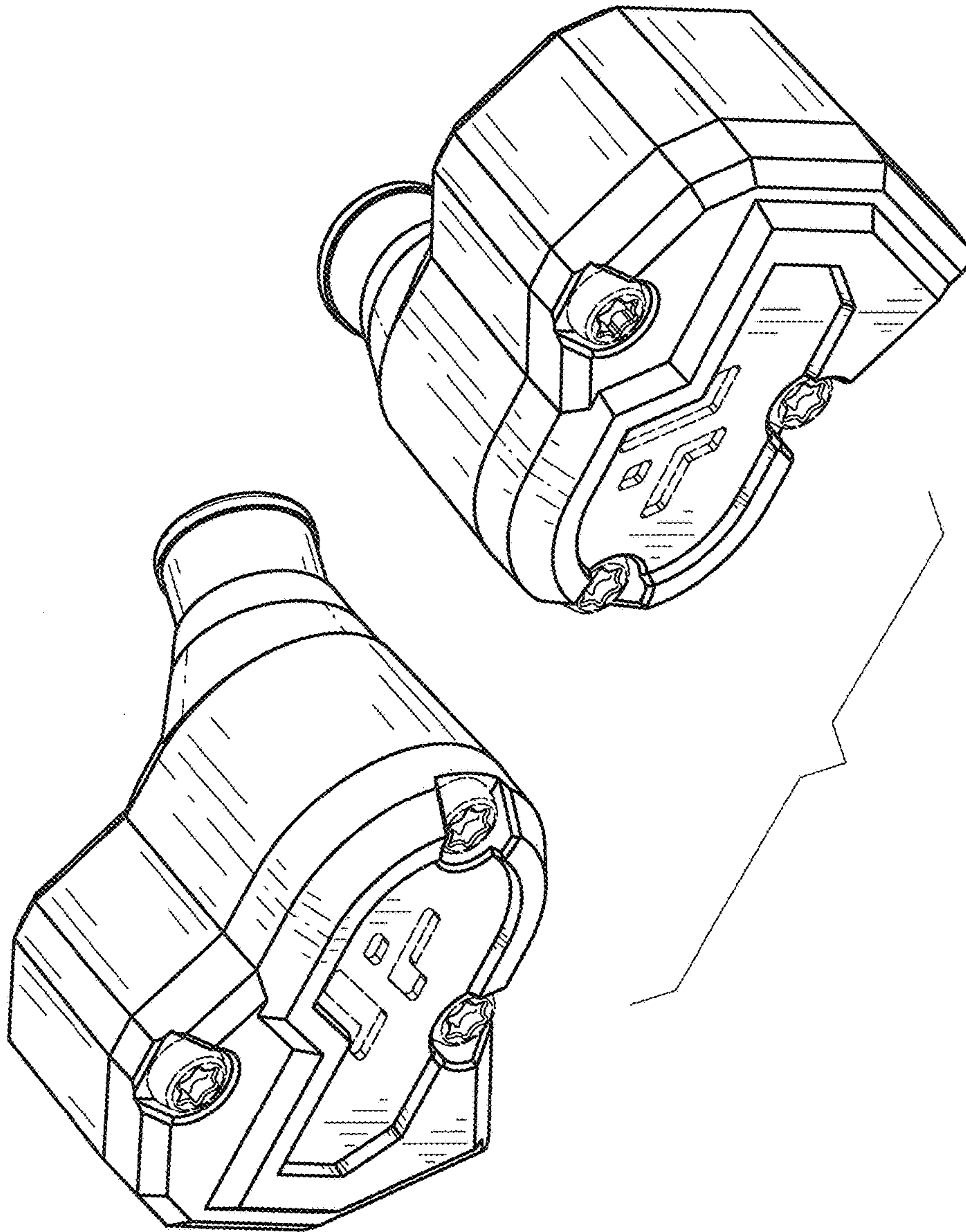


FIG. 17