



US00D853357S

(12) **United States Design Patent**
Li

(10) **Patent No.:** **US D853,357 S**
(45) **Date of Patent:** **** Jul. 9, 2019**

(54) **EARPHONE COVER**

(71) Applicant: **Yanwei Li, Zengcheng (CN)**

(72) Inventor: **Yanwei Li, Zengcheng (CN)**

(**) Term: **15 Years**

(21) Appl. No.: **29/676,022**

(22) Filed: **Jan. 8, 2019**

(51) **LOC (11) Cl.** **14-03**

(52) **U.S. Cl.**
USPC **D14/217**

(58) **Field of Classification Search**
USPC D14/203.3–203.8, 217, 248, 250–253,
D14/432, 434, 440, 450, 496; D13/102,
D13/103, 104, 105, 106, 107, 108, 109,
D13/11, 118, 119, 184, 199
CPC .. H02J 7/0068; H02J 7/025; H02J 9/06; H02J
50/12; H02J 50/20; H02J 50/80; H02J
5/005; H02J 7/0021; H02J 7/0052; H02J
7/0054; H02J 7/02; H02J 7/022; H02J
7/345; H01M 2/1022
See application file for complete search history.

(56) **References Cited**

U.S. PATENT DOCUMENTS

D484,797 S * 1/2004 Kipperman D9/424
9,387,963 B2 * 7/2016 McBroom B65D 43/169
D790,335 S * 6/2017 Honings D9/424
D806,648 S * 1/2018 Beedham D13/107

D823,246 S 7/2018 Lin
D826,152 S * 8/2018 Christiansen D13/108
D840,684 S * 2/2019 Luburic D3/294
D841,580 S * 2/2019 Bao D13/108
D841,581 S * 2/2019 Bonahoom D13/108
D843,937 S * 3/2019 Xiao D13/108
2008/0090622 A1 * 4/2008 Kim H02J 7/0044
455/573
2015/0102777 A1 * 4/2015 Cooper H02J 7/0042
320/114
2018/0014104 A1 * 1/2018 Boesen H04R 1/1025

* cited by examiner

Primary Examiner — Khawaja Anwar

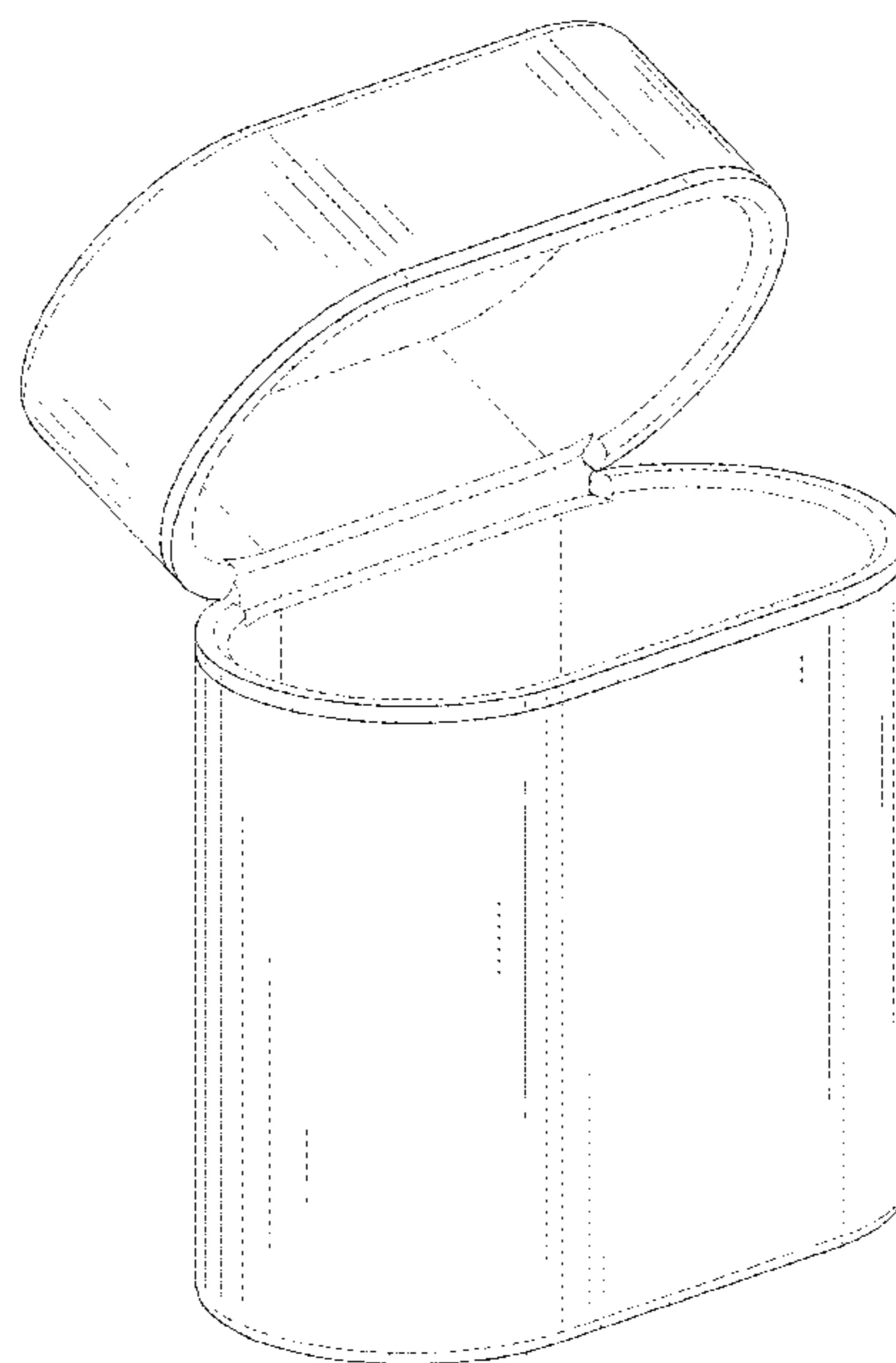
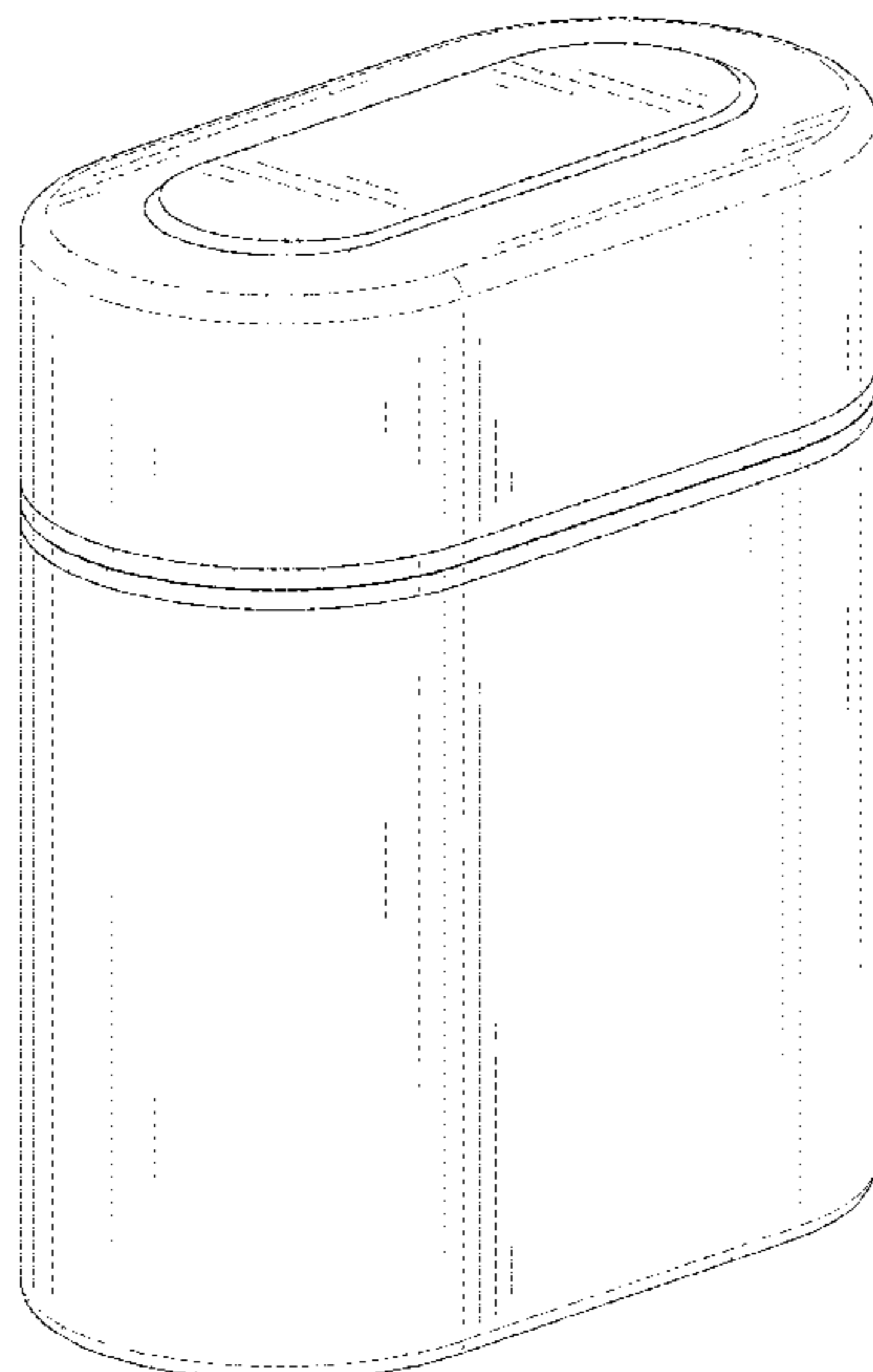
(57) **CLAIM**

The ornamental design for an earphone cover, as shown and described.

DESCRIPTION

FIG. 1 is a perspective view of an earphone cover showing my new design;
FIG. 2 is a front elevational view thereof;
FIG. 3 is a rear elevational view thereof;
FIG. 4 is a left side elevational view thereof;
FIG. 5 is a right side elevational view thereof;
FIG. 6 is a top plan view thereof;
FIG. 7 is a bottom plan view thereof; and,
FIG. 8 is a perspective view of the earphone cover where the earphone cover is in an open state.
The broken lines in the drawings illustrate portions of the earphone cover that form no part of the claimed design.

1 Claim, 8 Drawing Sheets



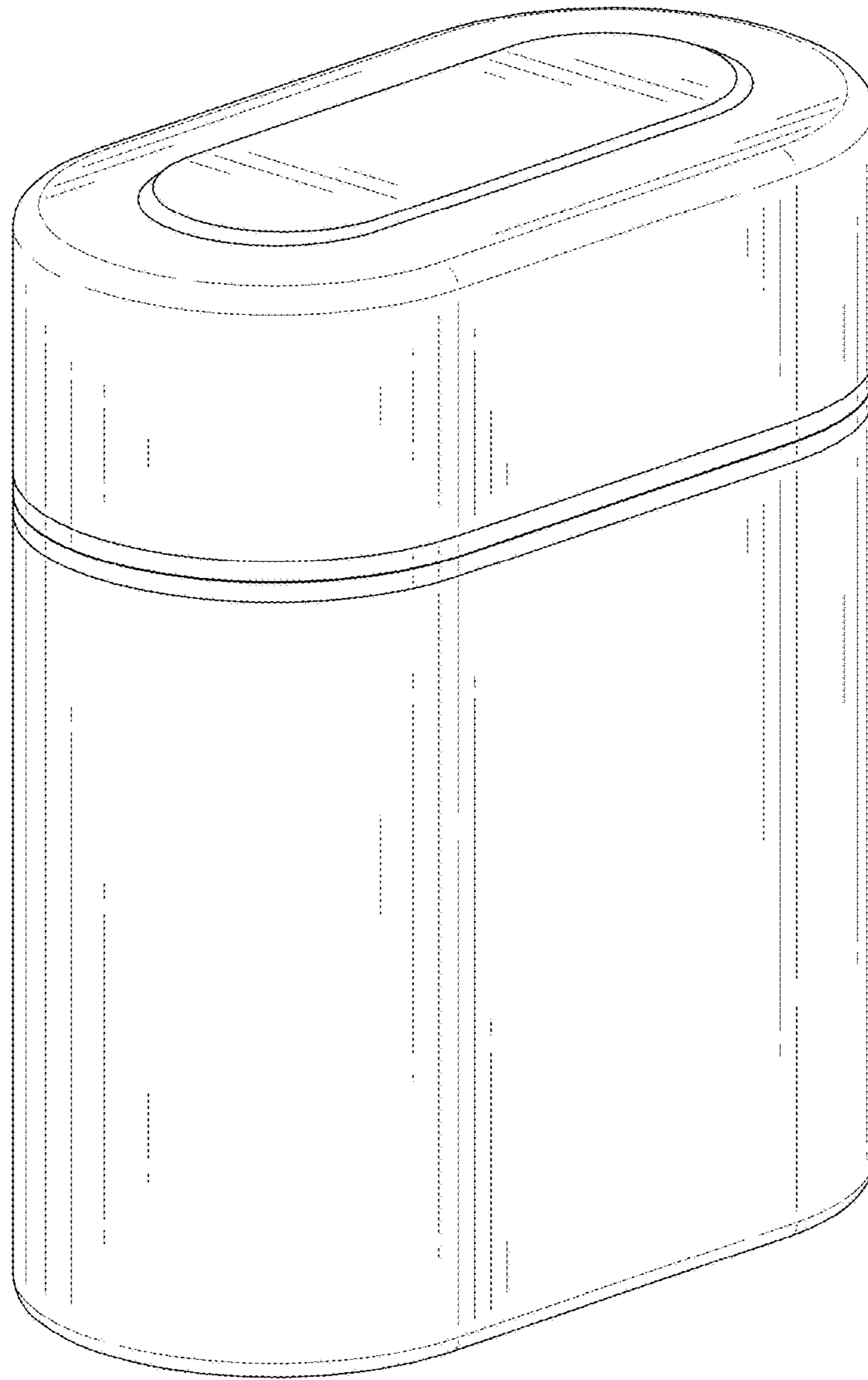


FIG. 1

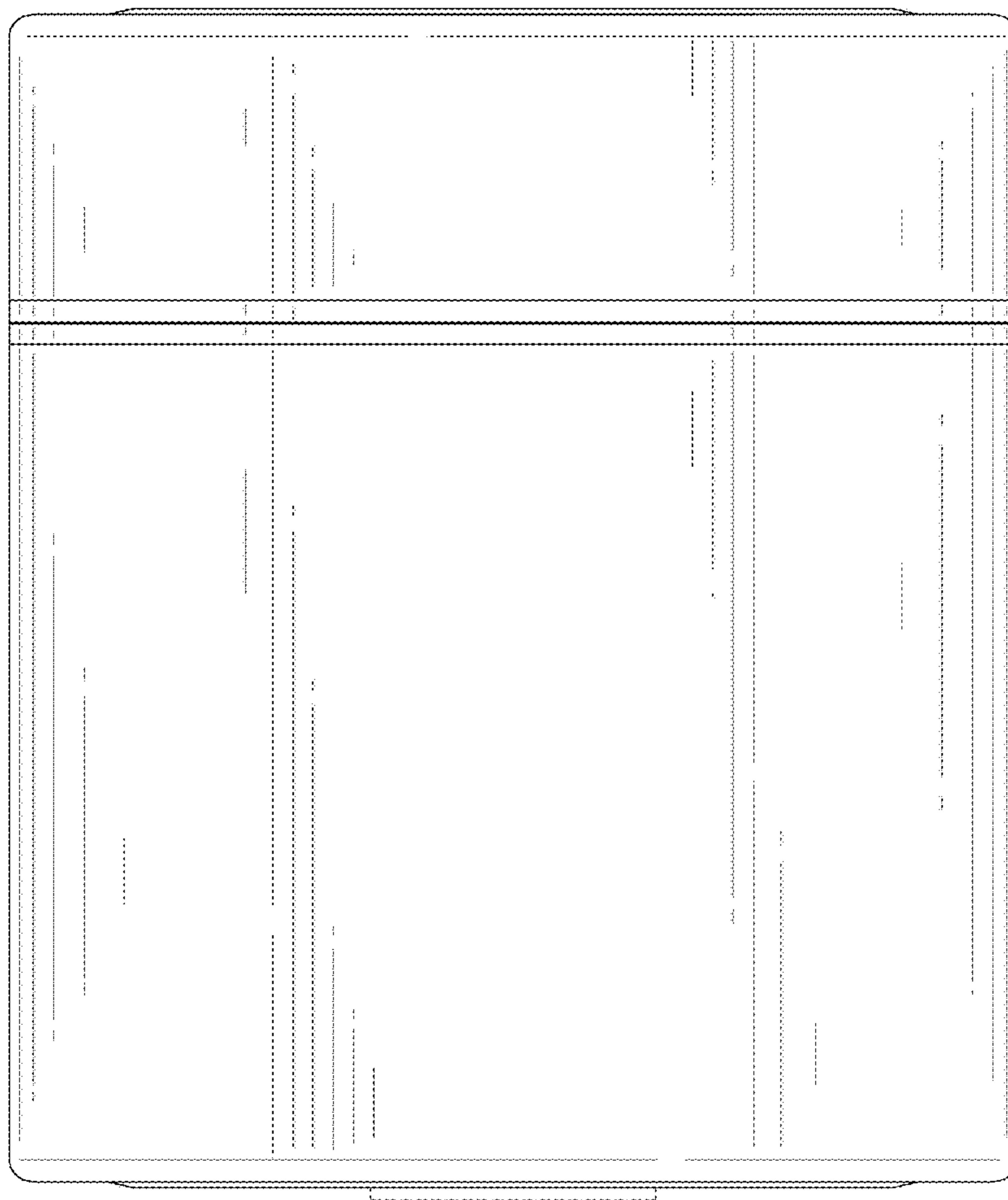


FIG. 2

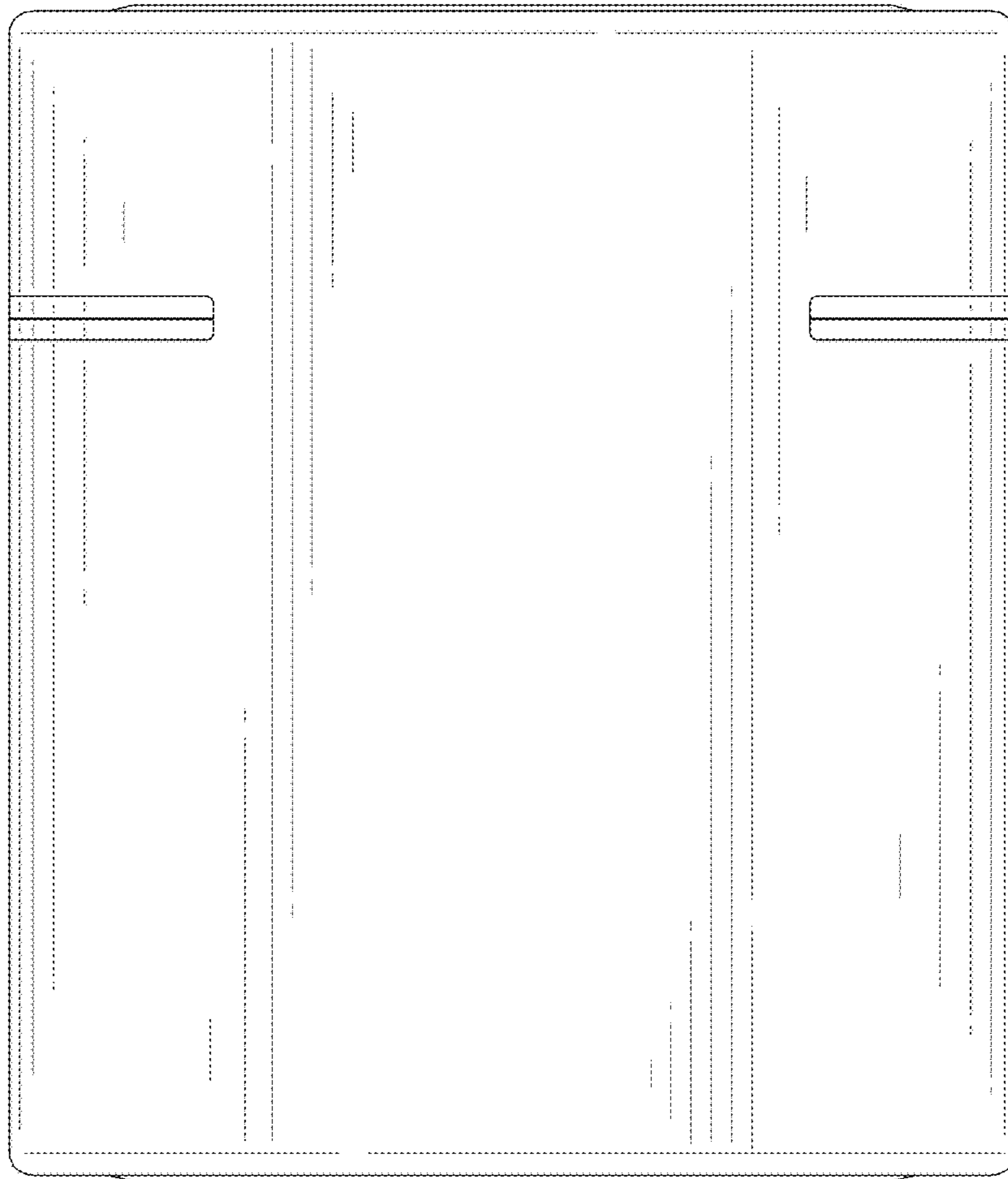


FIG. 3

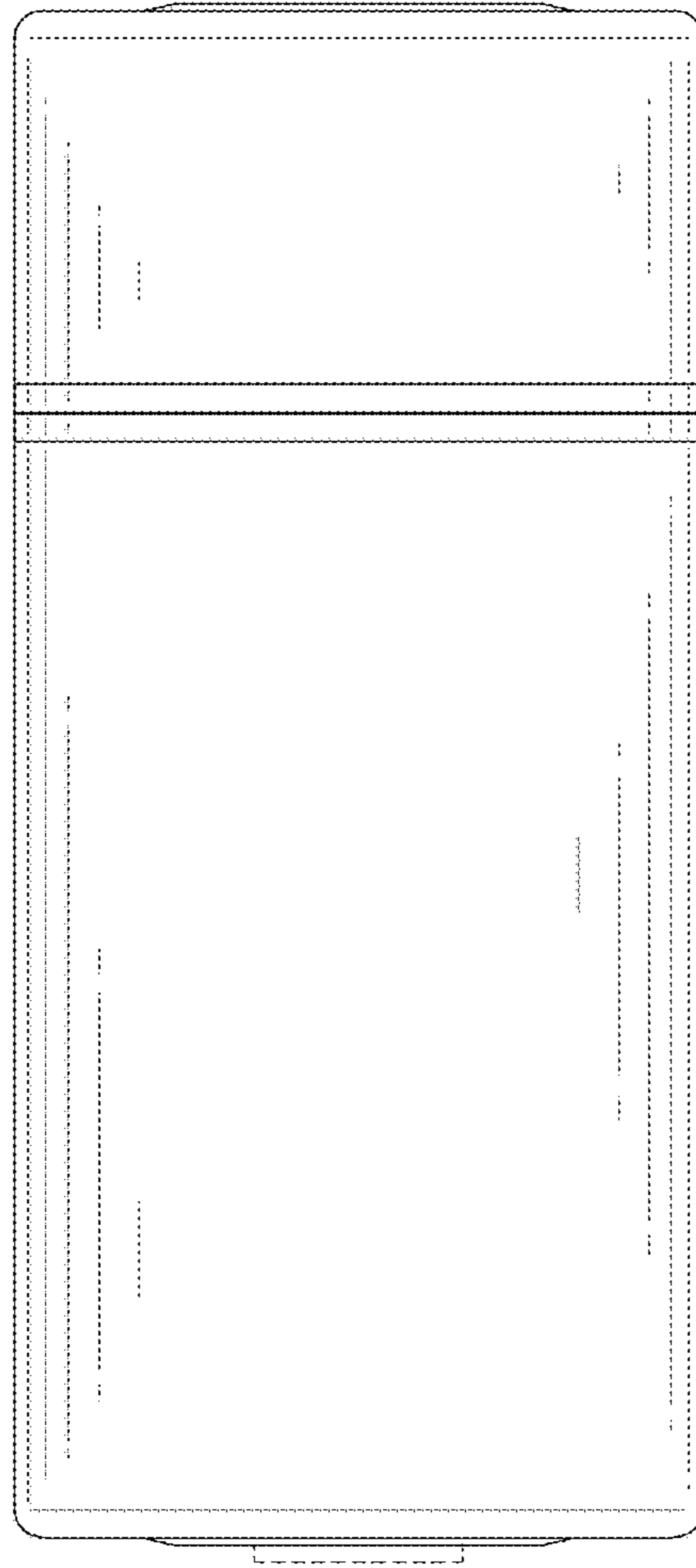


FIG. 4

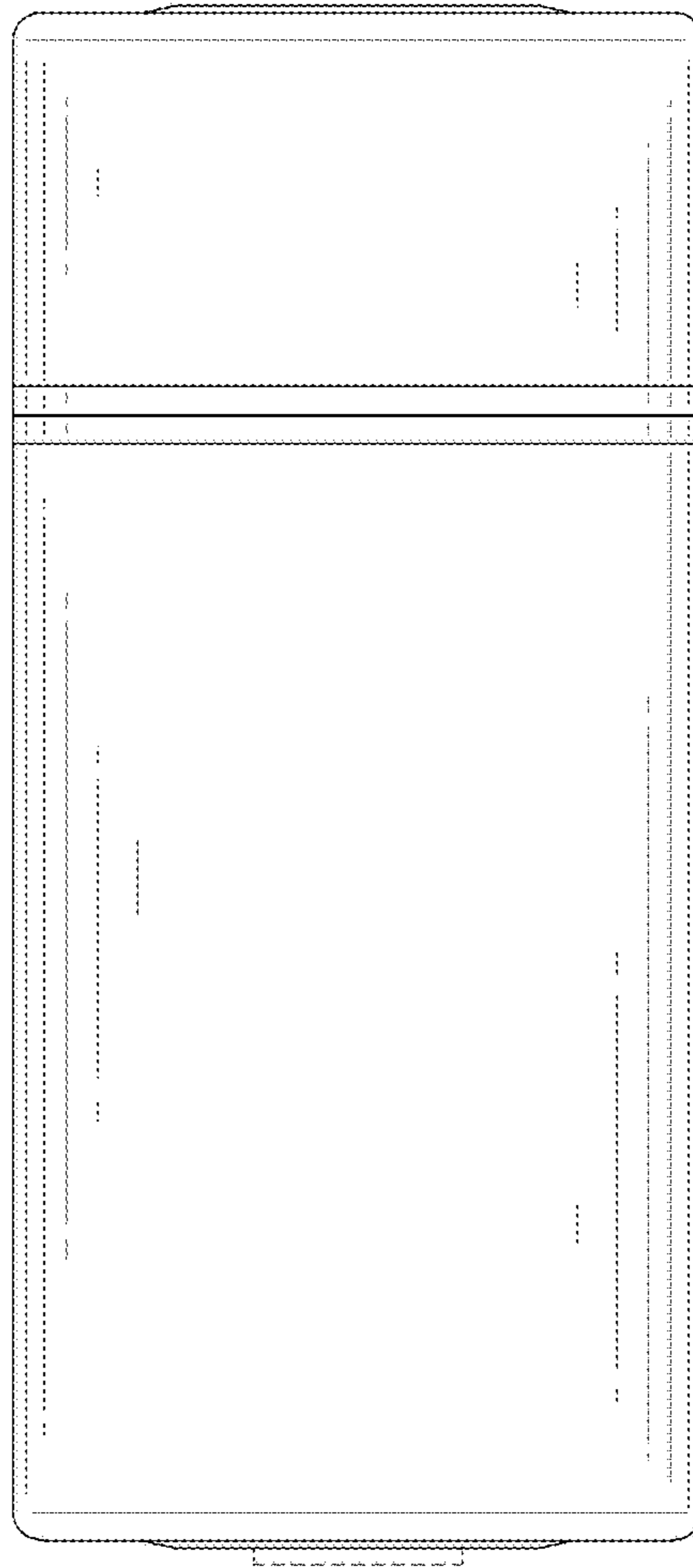


FIG. 5

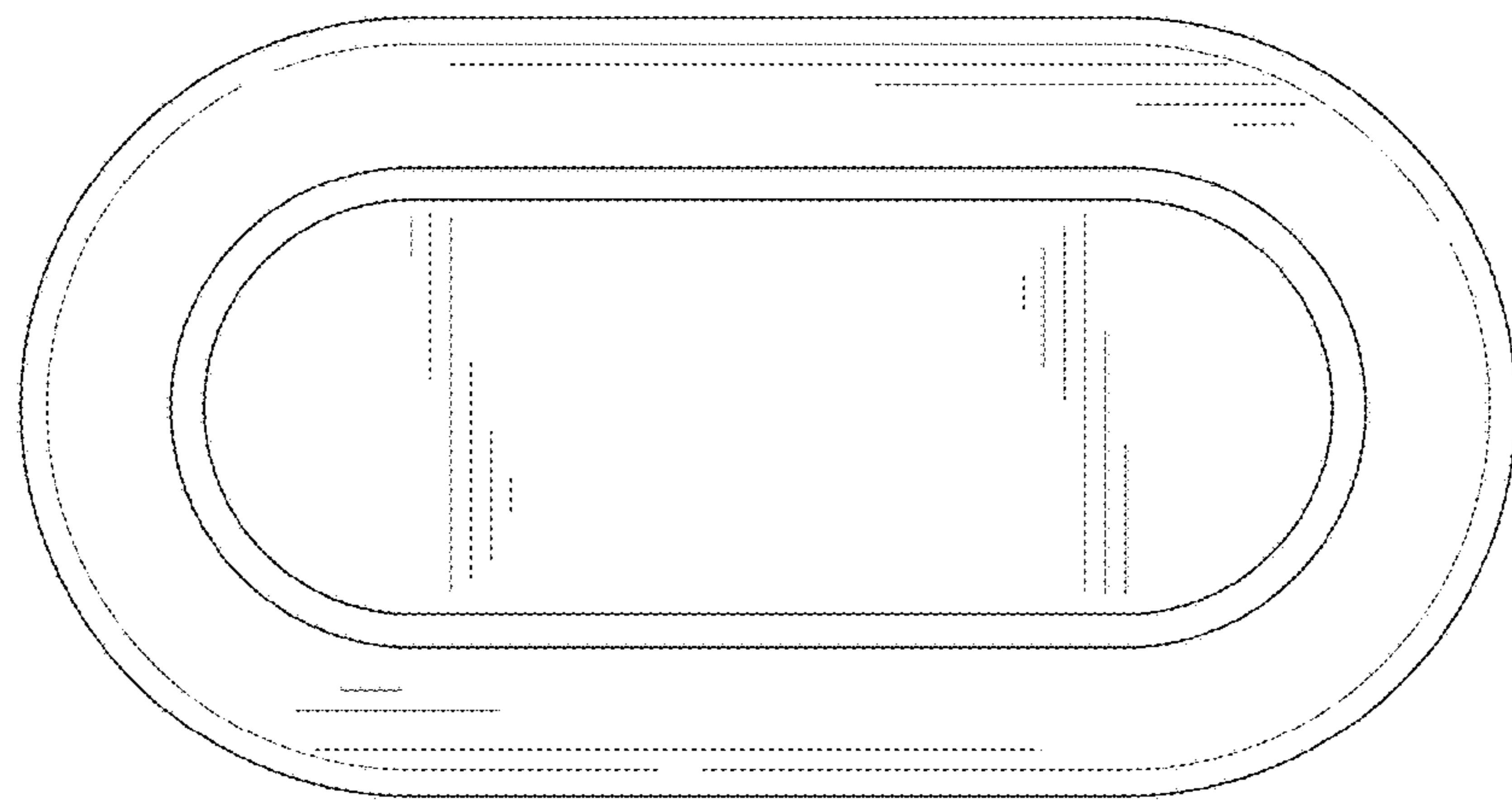


FIG. 6

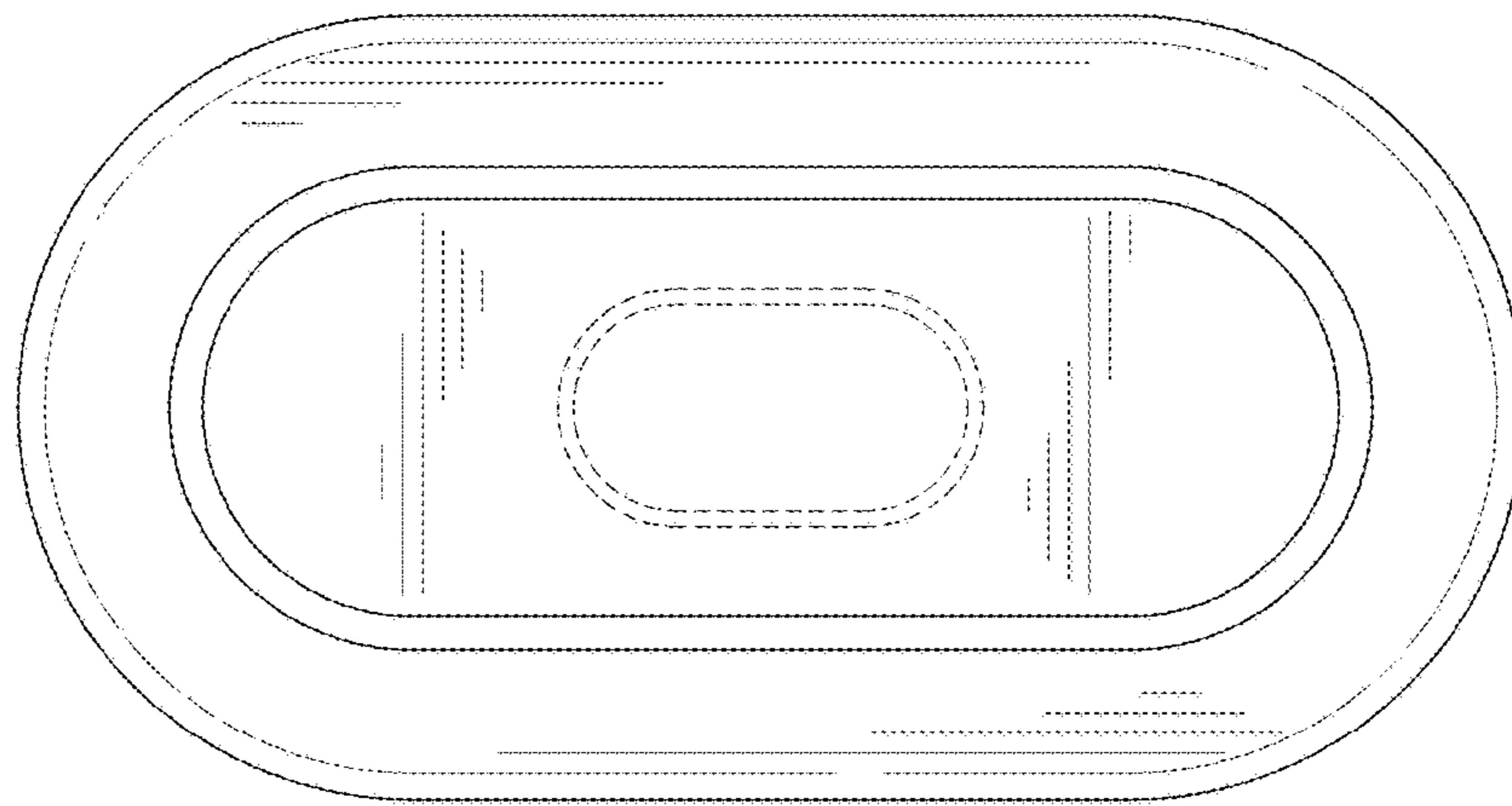


FIG. 7

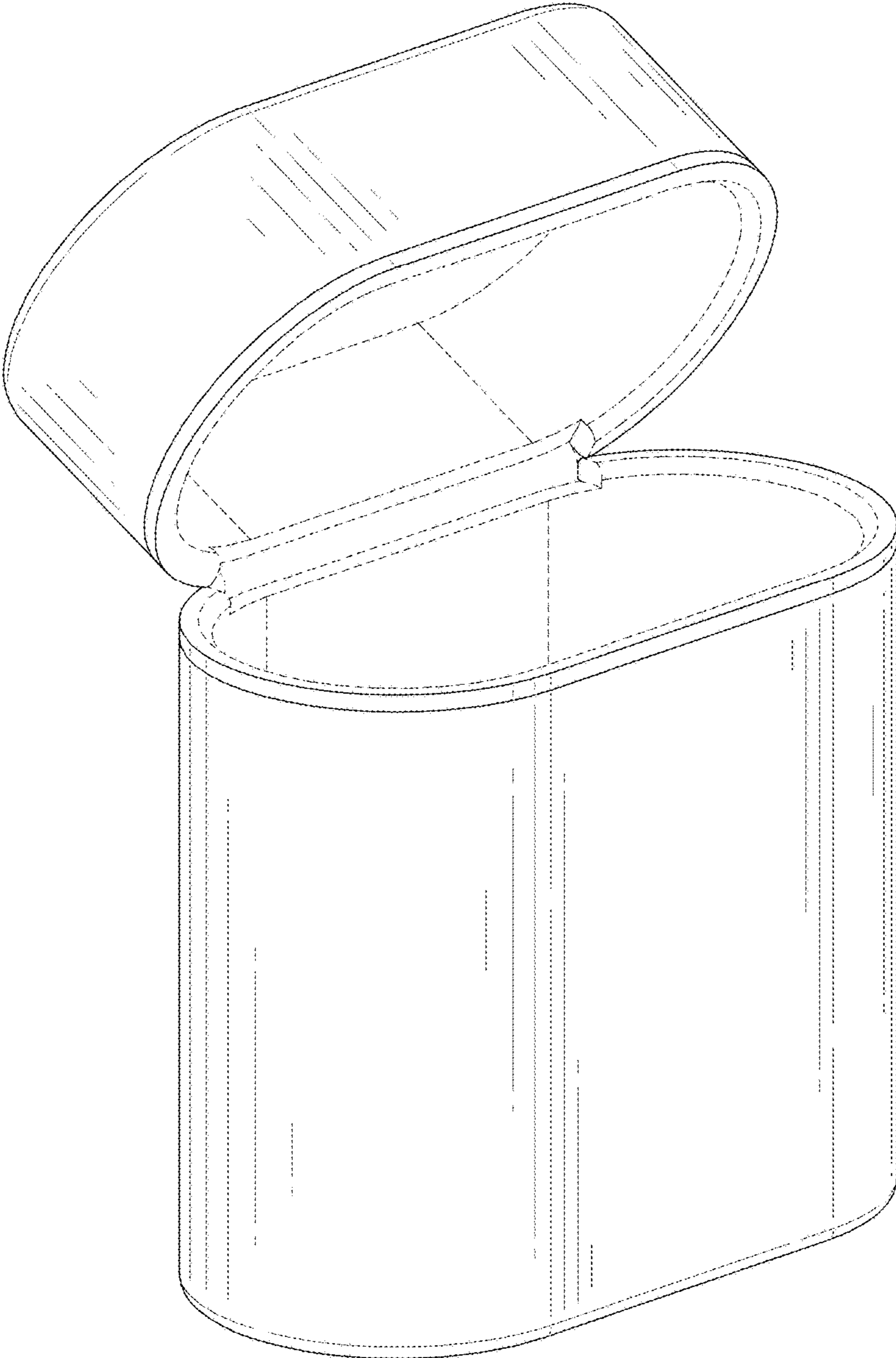


FIG. 8