



US00D853356S

(12) **United States Design Patent** (10) **Patent No.:** **US D853,356 S**
Werle et al. (45) **Date of Patent:** **** Jul. 9, 2019**

(54) **AUDIO SOUNDBAR SPEAKER**
(71) Applicant: **Polk Audio, LLC**, Vista, CA (US)
(72) Inventors: **Mark Werle**, Oceanside, CA (US);
Michael DiTullo, Encinitas, CA (US)
(**) Term: **15 Years**
(21) Appl. No.: **29/598,443**
(22) Filed: **Mar. 26, 2017**
(51) **LOC (11) Cl.** **14-03**
(52) **U.S. Cl.**
USPC **D14/216**; D14/210
(58) **Field of Classification Search**
USPC D14/168, 188, 194, 195, 196, 204, 210,
D14/211, 212, 213, 214, 215, 216, 197,
D14/198
CPC B60R 11/0217; G06F 1/1688; G10K 9/22;
G10K 11/004; H03F 1/327; H04M 1/03;
H04M 1/035; H04N 5/642; H04N
21/4852; H04S 3/00; H04S 7/30; H04R
1/02; H04R 1/06; H04R 1/021; H04R
1/025; H04R 1/026; H04R 1/028; H04R
1/105; H04R 1/323; H04R 1/403; H04R
1/2803; H04R 1/2834; H04R 5/02; H04R
7/20; H04R 9/06; H04R 9/025; H04R
2201/021; H04R 2400/00; H04R 2400/07;
H04R 2499/11; H04R 2499/13; H04R
2499/15
See application file for complete search history.

D659,677 S * 5/2012 Kim D14/214
8,254,622 B2 * 8/2012 Jiang G11B 33/025
381/333
D669,883 S * 10/2012 Cheng D14/214
D685,349 S * 7/2013 Ohno D14/221
D692,858 S * 11/2013 Millora D14/214
D709,481 S * 7/2014 Liu D14/221
D711,852 S * 8/2014 Mackiewicz D14/214
D718,737 S * 12/2014 Shadovitz D14/209.1
D738,853 S * 9/2015 Savage D14/214
D742,365 S * 11/2015 Kim D14/239
(Continued)

OTHER PUBLICATIONS

Amazon—Polk Audio Soundbar, announced Oct. 20, 2017 (date first available) [online], [site visited Dec. 27, 2017]. Available from internet, URL: <<https://www.amazon.com/Polk-Audio-Surround-Soundbar-Speaker/dp/B076LX8NN7>>.*
(Continued)

Primary Examiner — Keli L Hill
(74) *Attorney, Agent, or Firm* — KC Bean, Esq.; Anatoly S. Weiser, Esq.; IPLCounsel

(57) **CLAIM**

The ornamental design for a audio soundbar speaker, as shown and described.

DESCRIPTION

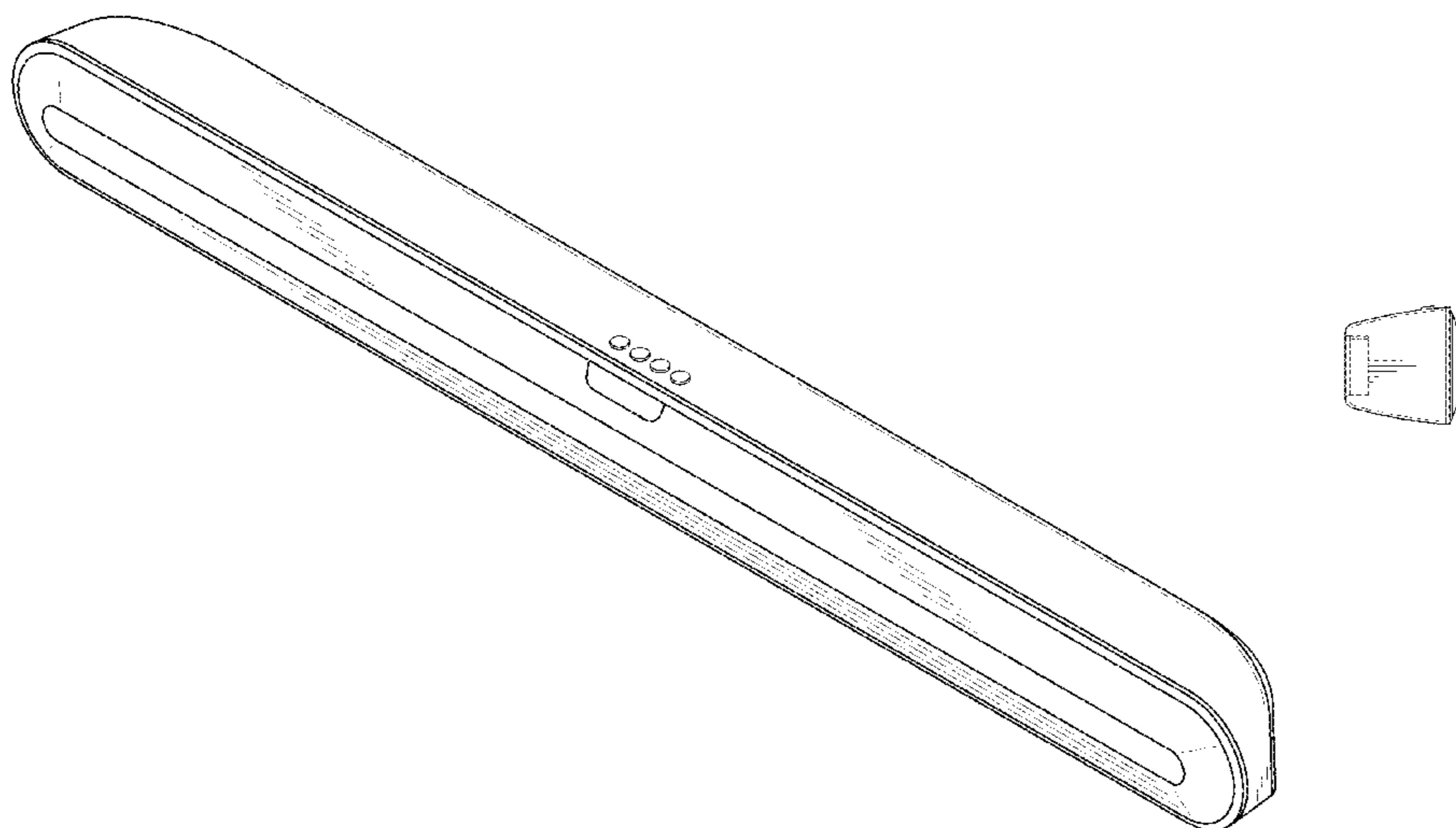
FIG. 1 is a front perspective view of the audio soundbar speaker showing the new design; FIG. 2 is a right side view thereof; FIG. 3 is a left side view thereof; FIG. 4 is a top view thereof; FIG. 5 is a bottom view thereof; FIG. 6 is a front view thereof; and, FIG. 7 is a back view thereof. The broken lines shown in FIGS. 2 and 3 are included for the purpose of illustrating portions of the audio soundbar speaker that form no part of the claim.

1 Claim, 3 Drawing Sheets

(56) **References Cited**

U.S. PATENT DOCUMENTS

5,125,606 A * 6/1992 Cassano A47B 21/0371
248/118
D437,045 S * 1/2001 Luster D23/403
D540,275 S * 4/2007 Lewis D14/126
D571,785 S * 6/2008 Kim D14/211
D654,907 S * 2/2012 McManigal D14/214
D655,690 S * 3/2012 Yagi D14/214



(56)

References Cited

U.S. PATENT DOCUMENTS

D743,373	S	*	11/2015	Kim	D14/210
D754,104	S	*	4/2016	Yoon	D14/214
D754,629	S	*	4/2016	Ki	D14/204
D762,621	S	*	8/2016	Bolton	D14/216
D781,264	S	*	3/2017	Kim	D14/204
D793,362	S	*	8/2017	Fischer	D14/214
D806,055	S	*	12/2017	Fischer	D14/214
2013/0050973	A1	*	2/2013	Rohrbach	B60R 11/0252 361/807
2013/0051603	A1	*	2/2013	Takewa	H04R 9/04 381/398

OTHER PUBLICATIONS

YouTube—JBL Cinema SB250, announced May 29, 2016 [online], [site visited Dec. 27, 2017]. Available from internet, URL: <<https://www.youtube.com/watch?v=hjvwD50TS3s>>.*

Amazon—JBL Cinema SB150, announced Mar. 23, 2016 (date first available) [online], [site visited Dec. 27, 2017]. Available from internet, URL: <<https://www.amazon.in/JBL-CINEMASB150230-Cinema-SB150/dp/B01A6YD9KM>>.*

* cited by examiner

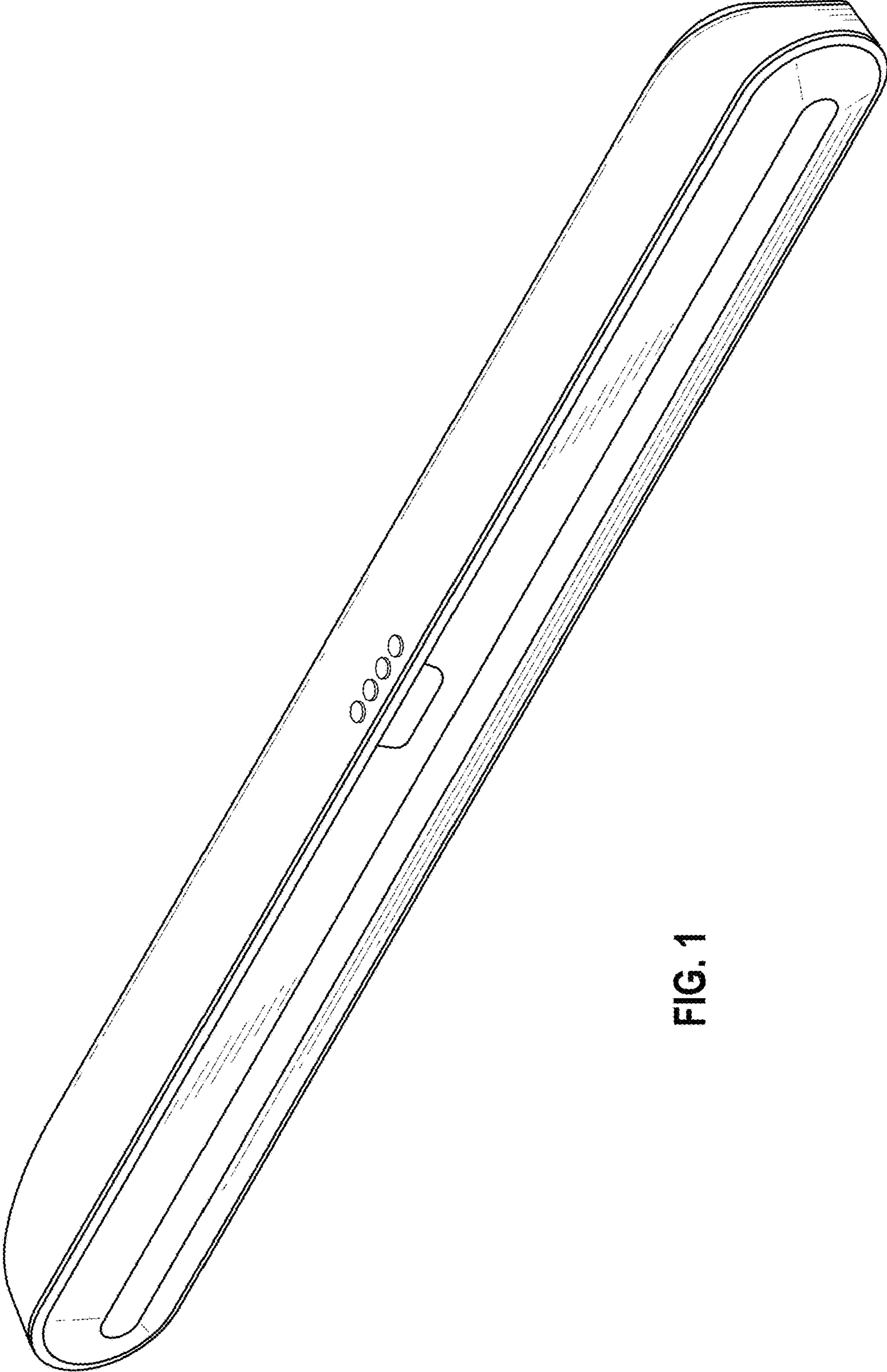


FIG. 1

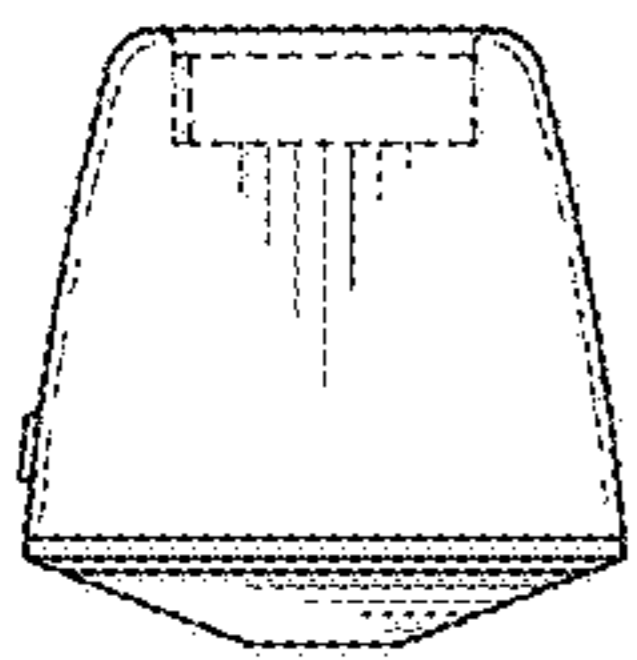


FIG. 2

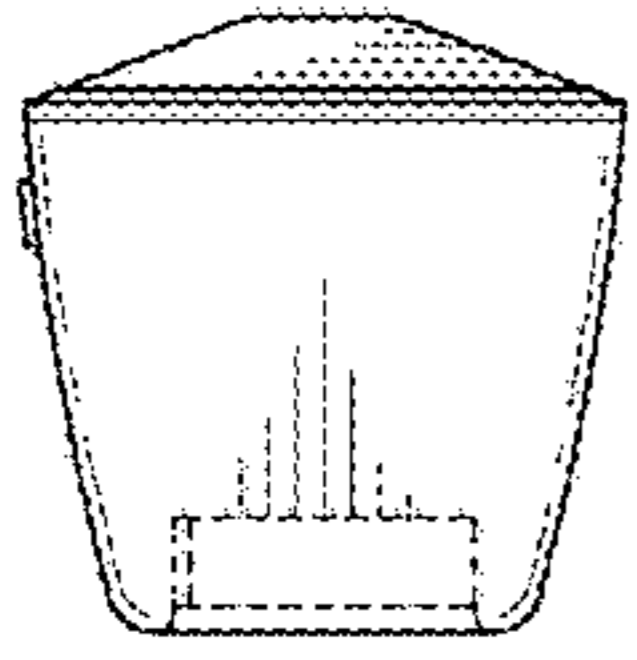


FIG. 3

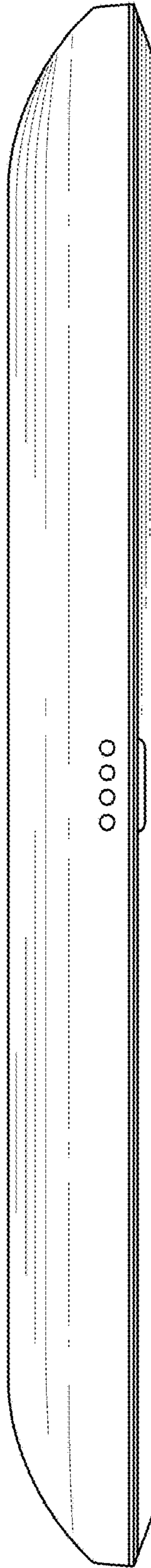


FIG. 4

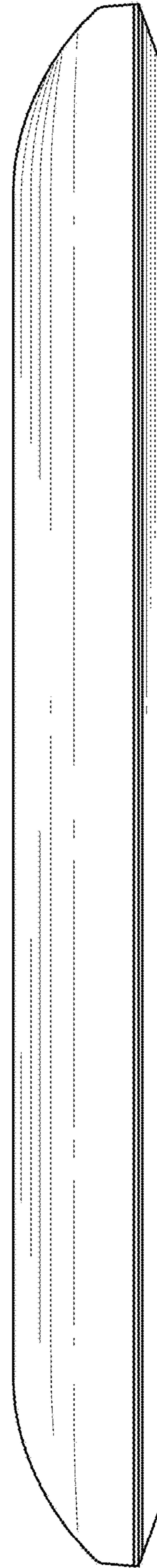


FIG. 5

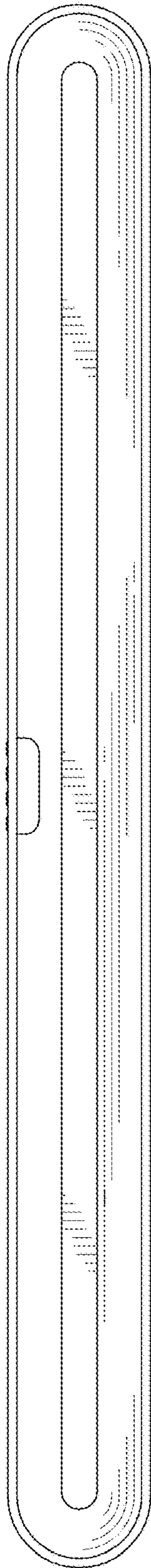


FIG. 6

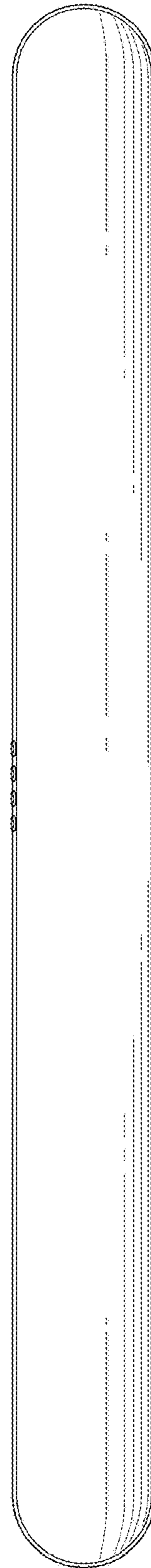


FIG. 7