



US00D853354S

(12) **United States Design Patent**
Demin

(10) **Patent No.:** **US D853,354 S**
(45) **Date of Patent:** **** Jul. 9, 2019**

(54) **LOUDSPEAKER**
(71) Applicant: **Harman International Industries, Incorporated, Northridge, CA (US)**
(72) Inventor: **Alexander Demin, Shenzhen (CN)**
(73) Assignee: **Harman International Industries, Incorporated, Northridge, CA (US)**

(**) Term: **15 Years**

(21) Appl. No.: **29/615,787**

(22) Filed: **Aug. 31, 2017**

(51) **LOC (11) Cl.** **14-03**

(52) **U.S. Cl.**
USPC **D14/211**

(58) **Field of Classification Search**
USPC ... D14/211, 214, 204, 217, 208, 209.1, 210, D14/212, 213, 215, 218, 240, 496, 228, D14/191, 195, 196, 203.6, 203.8; D13/184; 181/143, 144, 147, 148, 150, 181/153, 157, 198, 199; 381/361, 362, 381/363, 364, 386, 387, 388
CPC . H05K 5/00; H04R 25/00; H04R 9/06; H04R 1/20; A47B 1/06; A47B 81/06
See application file for complete search history.

(56) **References Cited**

U.S. PATENT DOCUMENTS

3,371,742 A * 3/1968 Norton H04R 1/345
181/153
3,393,766 A * 7/1968 Mitchell H04R 1/20
181/148
3,750,838 A * 8/1973 Pyle, Jr. H04R 1/2811
181/153
D229,565 S * 12/1973 Legorju D14/212
3,945,461 A * 3/1976 Robinson H04R 1/021
181/153
D249,683 S * 9/1978 Rams D14/211

4,223,760 A * 9/1980 LeTourneau H04R 1/403
181/147
4,249,037 A * 2/1981 Dexter H04R 1/02
181/144
4,289,929 A * 9/1981 Hathaway H04R 1/02
181/145
D265,990 S * 8/1982 Hartwein D14/214
4,574,906 A * 3/1986 White H04R 1/26
181/145
4,580,654 A * 4/1986 Hale H04R 1/02
181/146
D305,893 S * 2/1990 Maloney D14/215
4,940,108 A * 7/1990 Selby H04R 1/26
181/145

(Continued)

Primary Examiner — Paula Allen Greene
(74) *Attorney, Agent, or Firm* — Plumsea Law Group, LLC

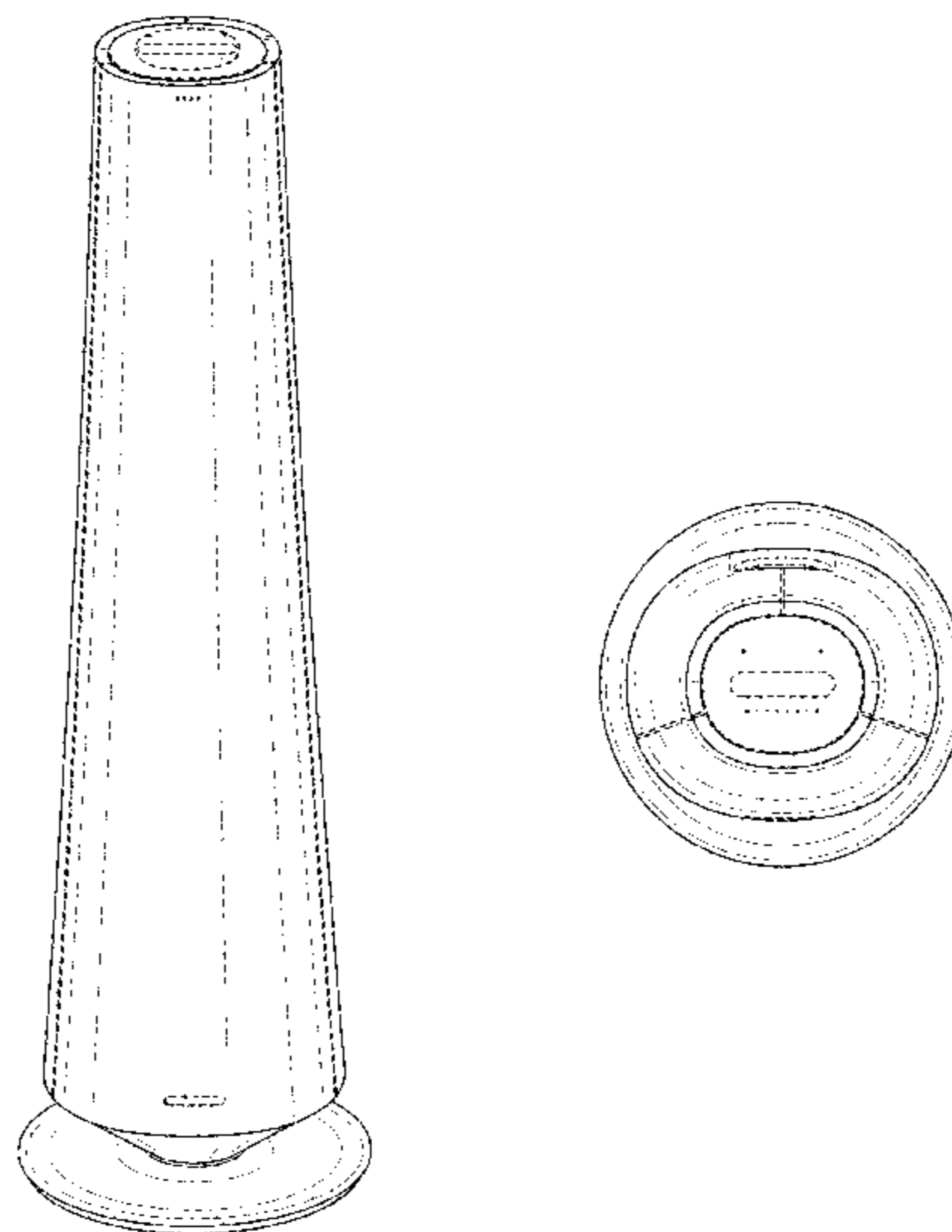
(57) **CLAIM**

The ornamental design for a loudspeaker, as shown and described.

DESCRIPTION

FIG. 1 is a perspective view of a loudspeaker showing my new design;
FIG. 2 is a front elevational view thereof;
FIG. 3 is a rear elevational view thereof;
FIG. 4 is a side elevational view of one side thereof;
FIG. 5 is a side elevational view of the opposite side thereof;
FIG. 6 is a top plan view thereof; and,
FIG. 7 is a bottom plan view thereof.
The broken lines immediately adjacent the shaded areas represent the bounds of the claimed design, while all other broken lines are directed to environment and are for illustrative purposes only; the broken lines form no part of the claimed design. The line shading on the loudspeaker is intended to depict surface contours, and does not connote the character of the surfaces such as any specific material, surface treatment, or texture.

1 Claim, 6 Drawing Sheets



(56)

References Cited

U.S. PATENT DOCUMENTS

D328,901 S * 8/1992 Haruyama D14/216
D354,750 S * 1/1995 Lewis D14/211
D364,165 S * 11/1995 Esslinger D14/213
5,485,521 A * 1/1996 Yagisawa H04R 1/345
181/155
D461,177 S * 8/2002 Hisatsune D14/211
6,719,091 B1 * 4/2004 Brown H04R 1/345
181/153
D494,565 S * 8/2004 Yao D14/211
D512,986 S * 12/2005 Lee D14/211
D515,730 S * 2/2006 Weiss D27/123
D530,311 S * 10/2006 Shake D14/216
D534,525 S * 1/2007 Peng D14/216
D537,073 S * 2/2007 Peersman D14/213
7,319,767 B2 * 1/2008 Fidlin H04R 1/06
381/182
D575,770 S * 8/2008 Lewis D14/216
D585,875 S * 2/2009 Matsuoka D14/211
D608,349 S * 1/2010 Wang D14/216
D615,962 S * 5/2010 Lee D14/188
D640,667 S * 6/2011 Lee D14/211
D659,120 S * 5/2012 Kim D14/211
D723,514 S * 3/2015 Lukic D14/213
D729,777 S * 5/2015 Ono D14/224
D737,800 S * 9/2015 Aleksandrov D14/210
D753,163 S * 4/2016 Vazquez D14/486
D758,347 S * 6/2016 Hinokio D14/215
D761,228 S * 7/2016 Cho D14/204
D819,596 S * 6/2018 Sun D14/211
2016/0215518 A1 * 7/2016 Villman E04H 12/12
2017/0171649 A1 * 6/2017 Pietschmann H04R 1/26

* cited by examiner

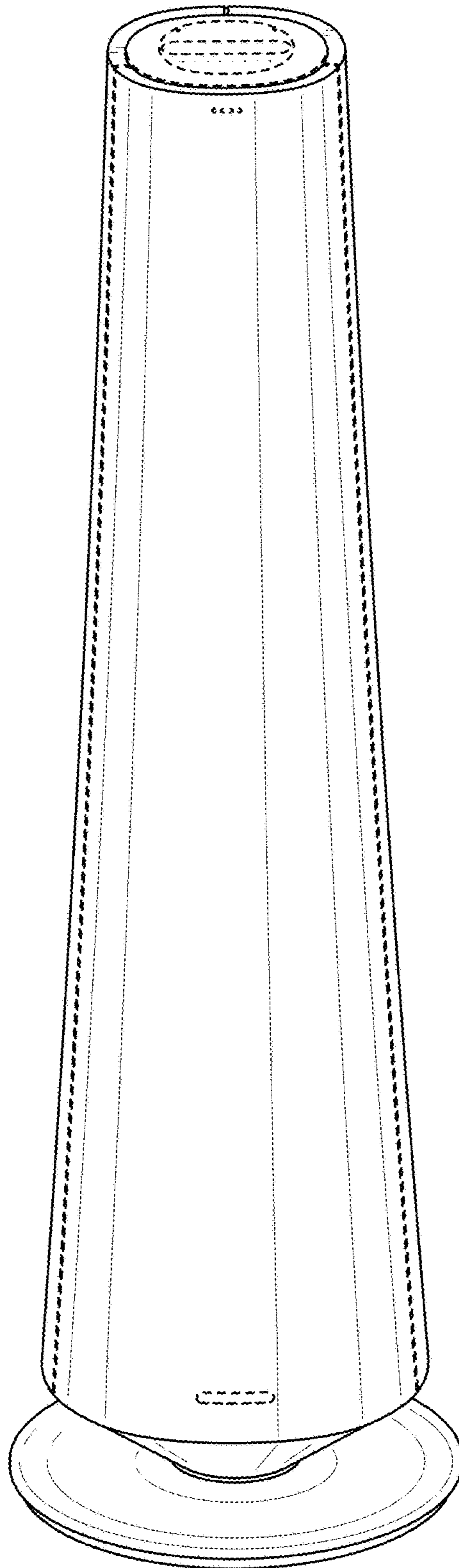


FIG. 1

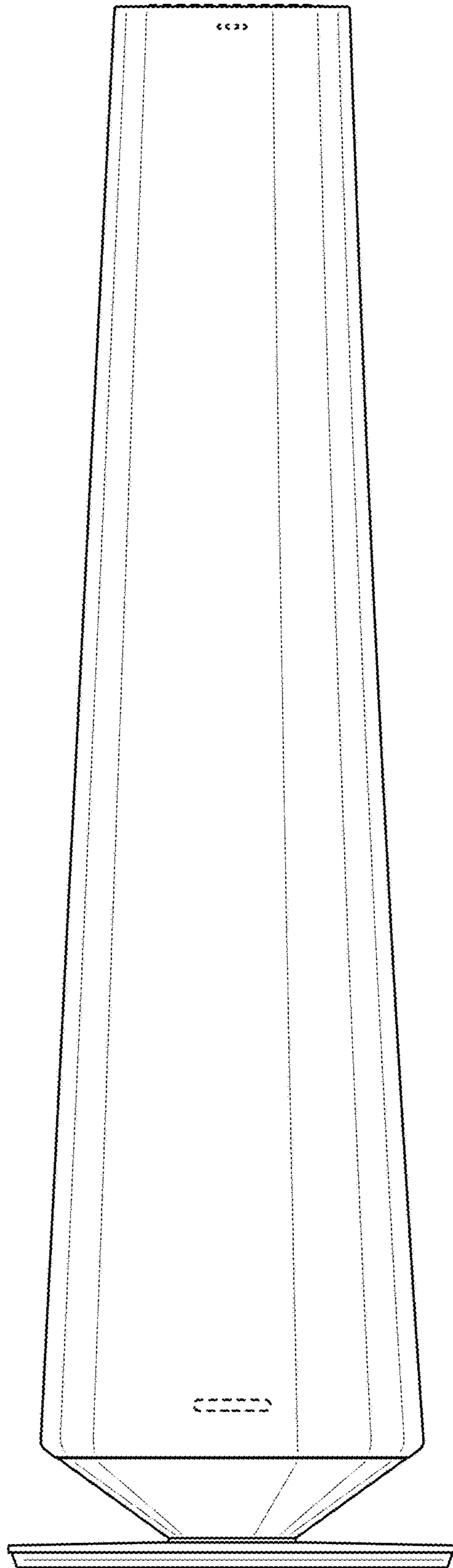


FIG. 2

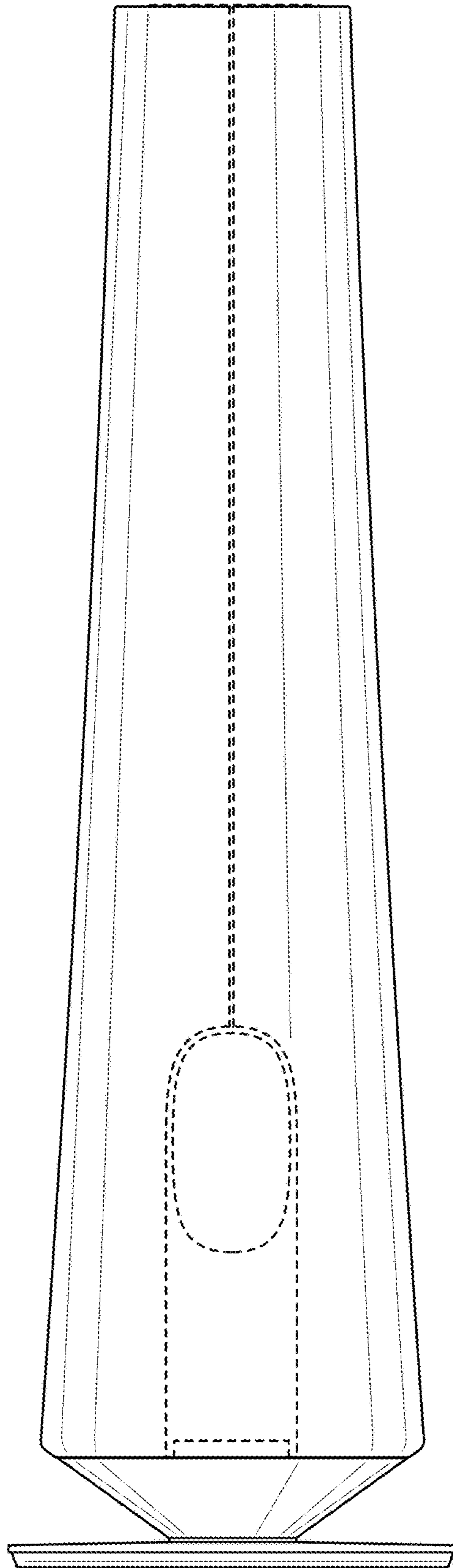


FIG. 3

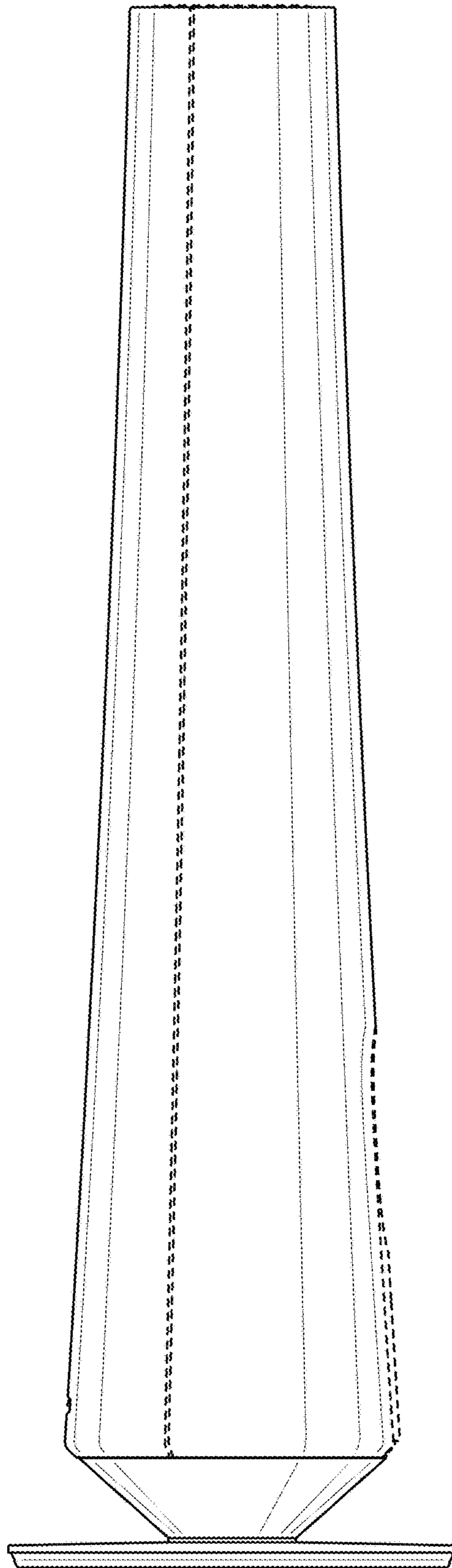


FIG. 4

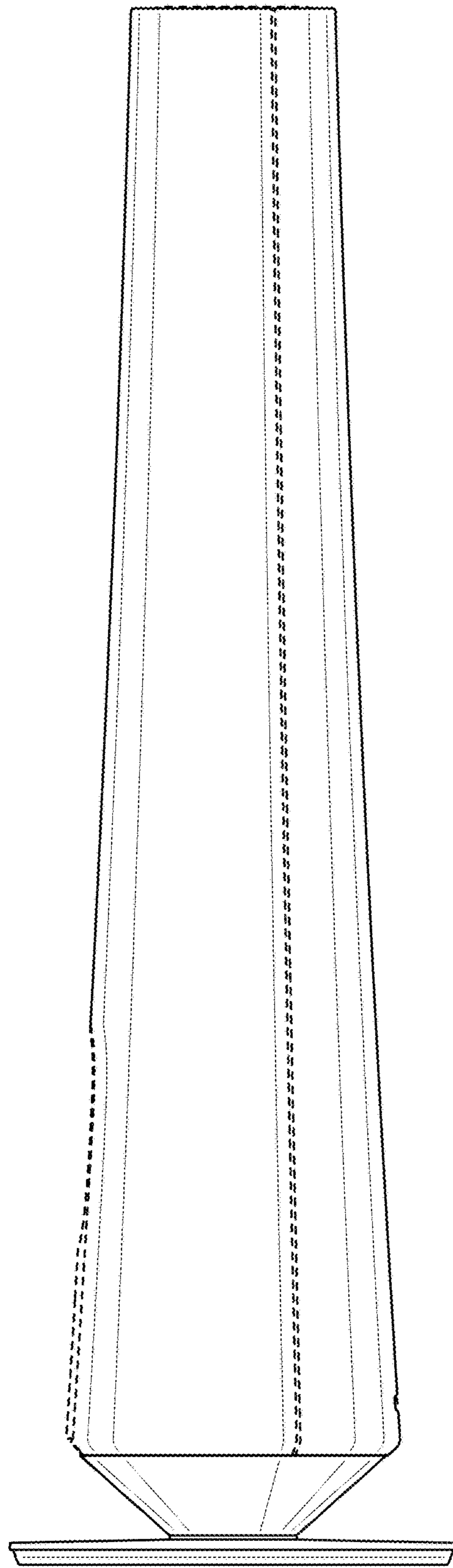


FIG. 5

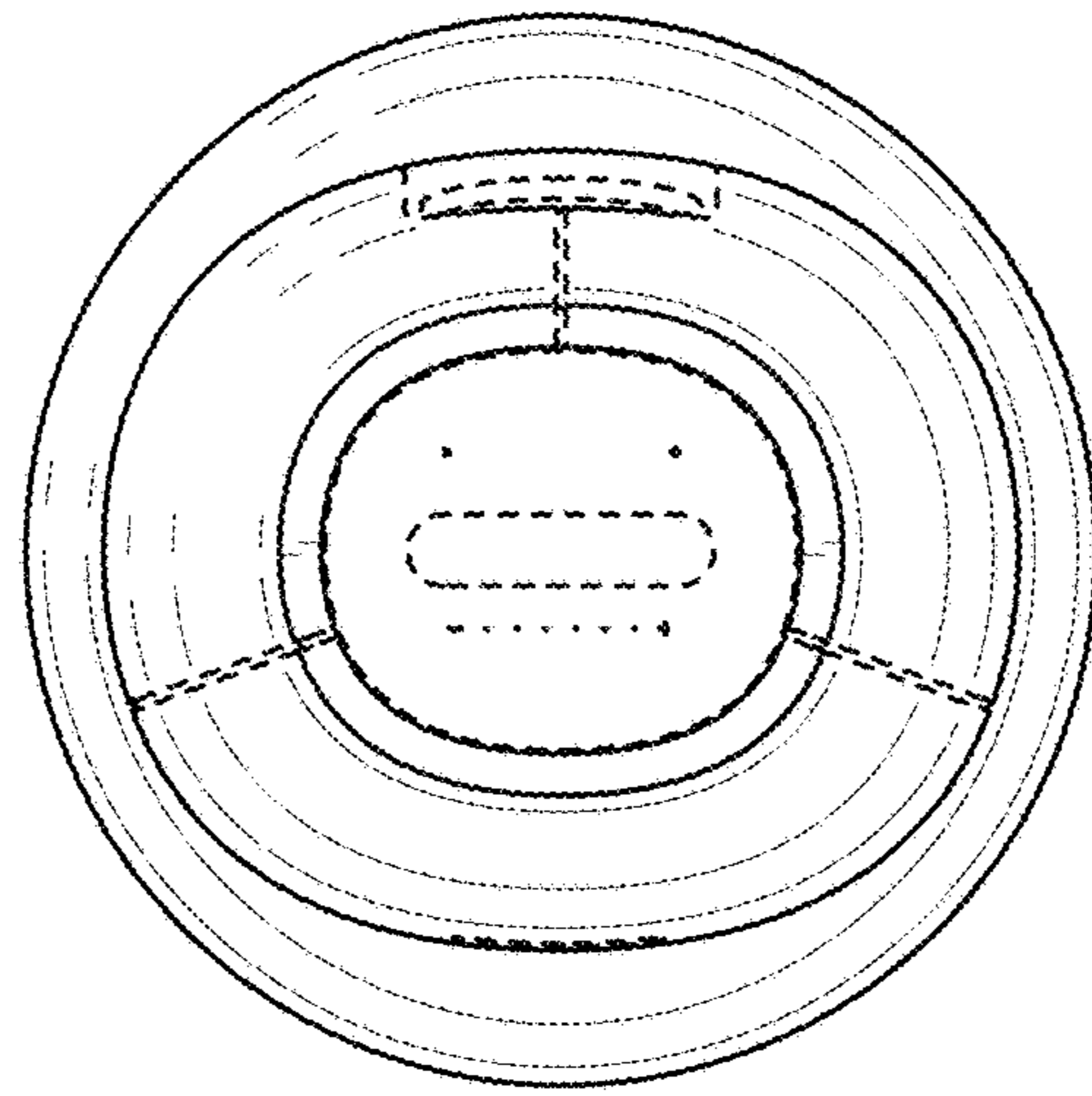


FIG. 6

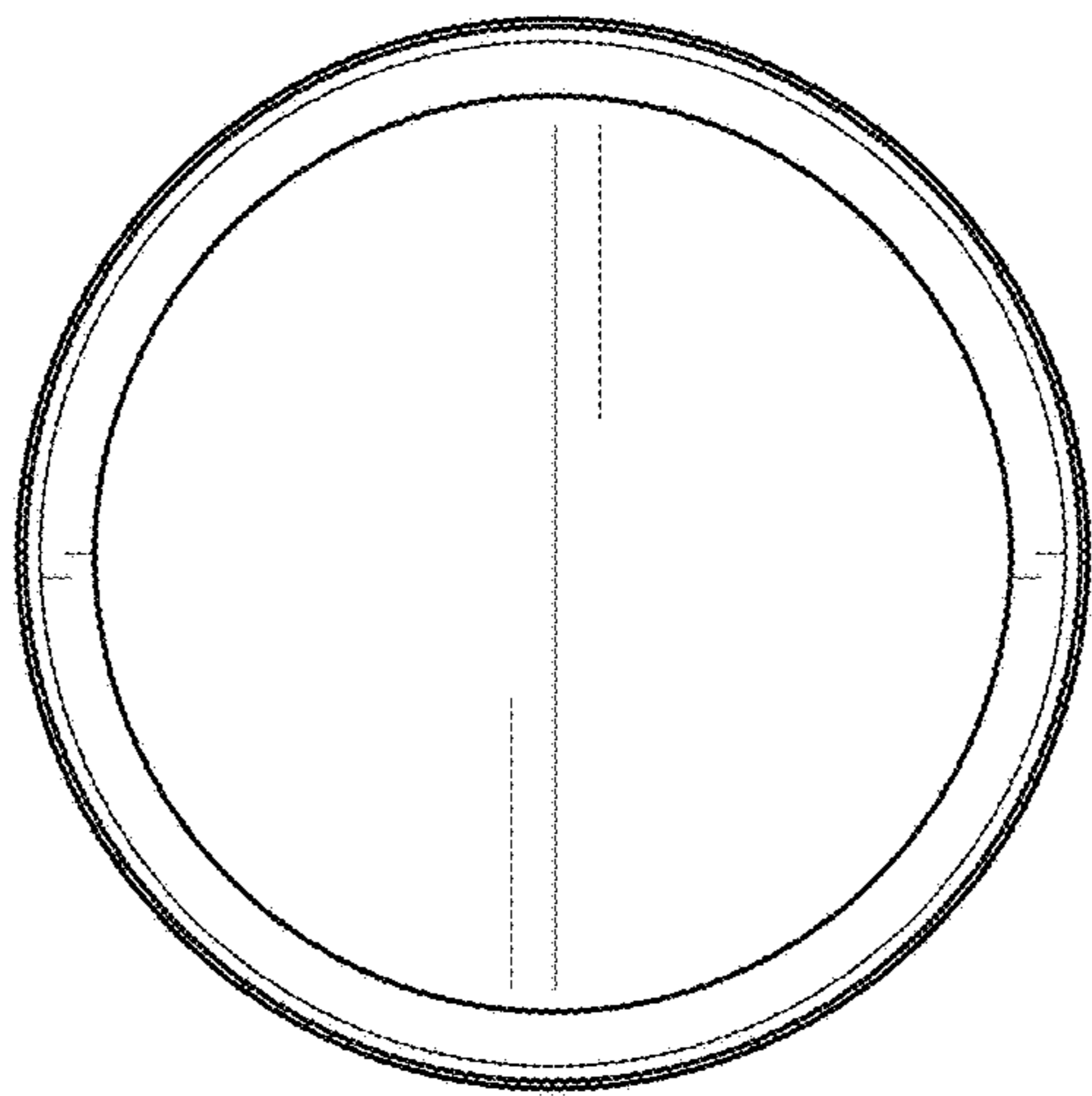


FIG. 7