



US00D853352S

(12) **United States Design Patent**
He

(10) **Patent No.:** **US D853,352 S**
(45) **Date of Patent:** **** Jul. 9, 2019**

(54) **EARPHONE**

(71) Applicant: **Shuwei He**, Hunan (CN)

(72) Inventor: **Shuwei He**, Hunan (CN)

(73) Assignee: **Shangxing Technology (Shenzhen) Co., Ltd.**, Shenzhen, Guangdong (CN)

(**) Term: **15 Years**

(21) Appl. No.: **29/631,593**

(22) Filed: **Dec. 29, 2017**

(51) **LOC (11) Cl.** **14-01**

(52) **U.S. Cl.**
USPC **D14/205**

(58) **Field of Classification Search**
USPC D14/205, 188, 192; D29/112; 2/209;
181/129, 130, 135; 379/430, 431;
381/380, 381, 374; 455/90.3, 575.1,
455/569.1
CPC H04R 1/1016; H04R 1/10; H04R 1/1066;
H04R 5/033; H04R 5/0335; H04R
1/1033; H04R 1/105; H04R 1/1098
See application file for complete search history.

(56) **References Cited**

U.S. PATENT DOCUMENTS

D326,655 S	*	6/1992	Iribe	D14/192
D340,033 S	*	10/1993	Okumura	D14/192
D371,558 S	*	7/1996	Yoshizawa	D14/205
D386,181 S	*	11/1997	Fisher	D14/192
D410,008 S	*	5/1999	Almqvist	D14/223
D439,574 S	*	3/2001	Katayama	D14/192
D458,245 S	*	6/2002	Masuda	D14/192
D499,397 S	*	12/2004	Hlas	D14/223
D504,672 S	*	5/2005	Hirano	D14/205
D508,908 S	*	8/2005	Chueh	D14/205
D525,235 S	*	7/2006	Koizumi	D14/205
D550,202 S	*	9/2007	Meier	D14/206

D559,831 S	*	1/2008	Lee	D14/205
D575,268 S	*	8/2008	Christopher	D14/205
D587,678 S	*	3/2009	Yuyama	D14/205
D587,680 S	*	3/2009	Komiyama	D14/205
D589,932 S	*	4/2009	Komiyama	D14/205
D593,538 S	*	6/2009	Chon	D14/205
D594,442 S	*	6/2009	Chon	D14/205
D596,617 S	*	7/2009	Devlas	D14/205
D601,125 S	*	9/2009	Komiyama	D14/205
D604,269 S	*	11/2009	Choe	D14/205
D605,168 S	*	12/2009	Jaakkola	D14/205
D606,971 S	*	12/2009	Christopher	D14/205
D616,874 S	*	6/2010	Matsuoka	D14/223
D617,308 S	*	6/2010	Nousiainen	D14/205
D619,561 S	*	7/2010	Yang	D14/205
D626,948 S	*	11/2010	Nault	D14/223
D630,186 S	*	1/2011	Yang	D14/205
D640,666 S	*	6/2011	Wahl	D14/205
D645,444 S	*	9/2011	Quek	D14/205
D652,024 S	*	1/2012	Quek	D14/223
D653,234 S	*	1/2012	Lee	D14/205
D662,913 S	*	7/2012	Birger	D14/206
D663,714 S	*	7/2012	Kang	D14/205

(Continued)

Primary Examiner — Paula Allen Greene

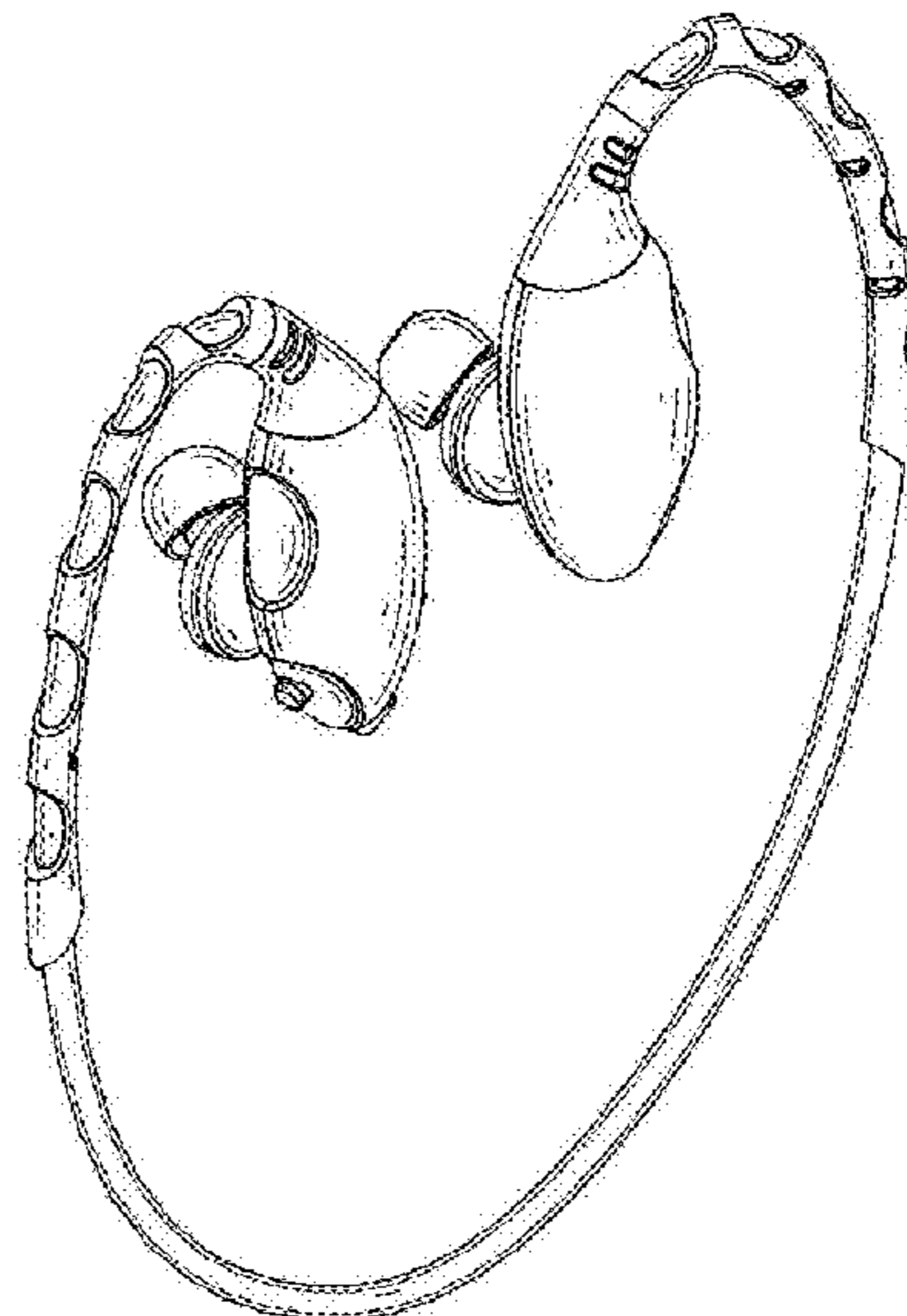
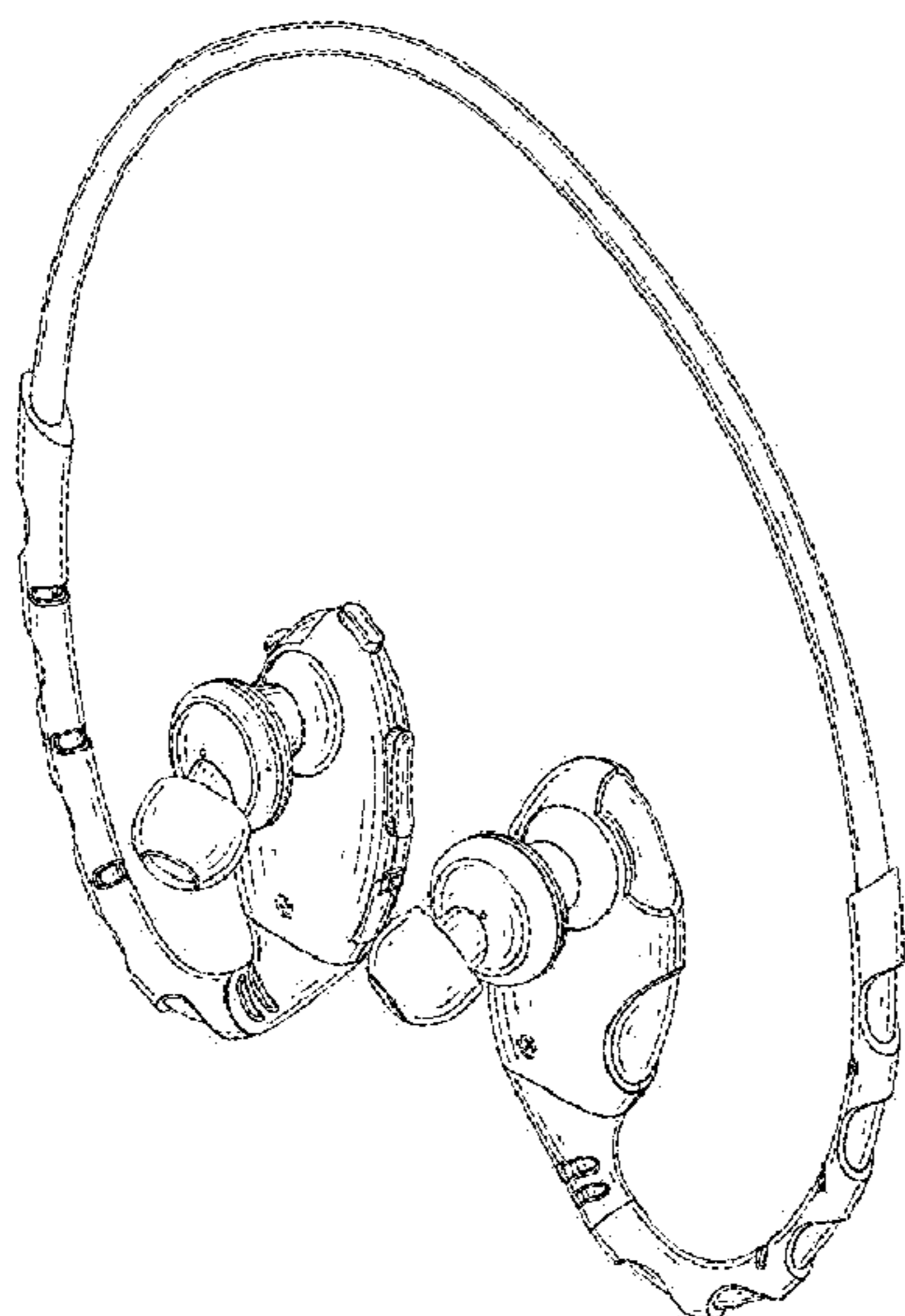
(57) **CLAIM**

I claim the ornamental design for an earphone, as shown and described.

DESCRIPTION

FIG. 1 is a perspective view of an earphone showing my new design;
FIG. 2 is another perspective view thereof;
FIG. 3 is a front elevational view
FIG. 4 is a rear elevational view thereof;
FIG. 5 is a left side elevational view thereof;
FIG. 6 is a right side elevational view thereof;
FIG. 7 is a top plan view thereof; and,
FIG. 8 is a bottom plan view thereof.

1 Claim, 8 Drawing Sheets



(56)

References Cited

U.S. PATENT DOCUMENTS

D667,817 S * 9/2012 Otani D14/223
 D669,881 S * 10/2012 Clements D14/205
 D671,523 S * 11/2012 Daniel D14/206
 D678,857 S * 3/2013 Feng D14/205
 D678,858 S * 3/2013 Feng D14/205
 D686,189 S * 7/2013 Lu D14/205
 D690,681 S * 10/2013 Ito D14/205
 D691,105 S * 10/2013 Ito D14/205
 D691,580 S * 10/2013 Cho D14/205
 D693,326 S * 11/2013 Takeno D14/205
 D703,634 S * 4/2014 Han H04R 1/1016
 D706,745 S * 6/2014 Nakagawa H04R 1/1066
 D707,199 S * 6/2014 Ceyress H04R 1/10
 D716,759 S * 11/2014 Ha D14/205
 D717,765 S * 11/2014 Rausch D14/205
 D721,673 S * 1/2015 Park D14/205
 D723,510 S * 3/2015 Ishikura D14/205
 D730,867 S * 6/2015 Park D14/205
 D731,999 S * 6/2015 Ceyress D14/205
 D740,785 S * 10/2015 Chen D14/205
 D743,933 S * 11/2015 Park D14/205
 D745,862 S * 12/2015 Otani D14/223

D752,026 S * 3/2016 Yang D14/223
 D756,958 S * 5/2016 Lee D14/205
 D756,959 S * 5/2016 Lee D14/205
 D761,223 S * 7/2016 Oikawa D14/137
 D766,210 S * 9/2016 Graylin D14/205
 D778,257 S * 2/2017 Hu D14/205
 D785,592 S * 5/2017 Naitou D14/205
 D785,594 S * 5/2017 Zaihui D14/205
 D786,217 S * 5/2017 Stoch D14/205
 D816,060 S * 4/2018 Wei D14/205
 D818,989 S * 5/2018 Silva D14/205
 D822,636 S * 7/2018 Liu D14/205
 D825,525 S * 8/2018 Hu D14/206
 D838,256 S * 1/2019 Wang D14/205
 2006/0039574 A1 * 2/2006 Chen H04R 1/1058
 2007/0230735 A1 * 10/2007 Sung H04R 1/1058
 2011/0170702 A1 * 7/2011 Bays H04R 5/0335
 2014/0119555 A1 * 5/2014 Lu H04R 25/554
 2014/0286515 A1 * 9/2014 Bone H04R 1/1016
 2014/0307891 A1 * 10/2014 Burgett H04R 1/105

* cited by examiner

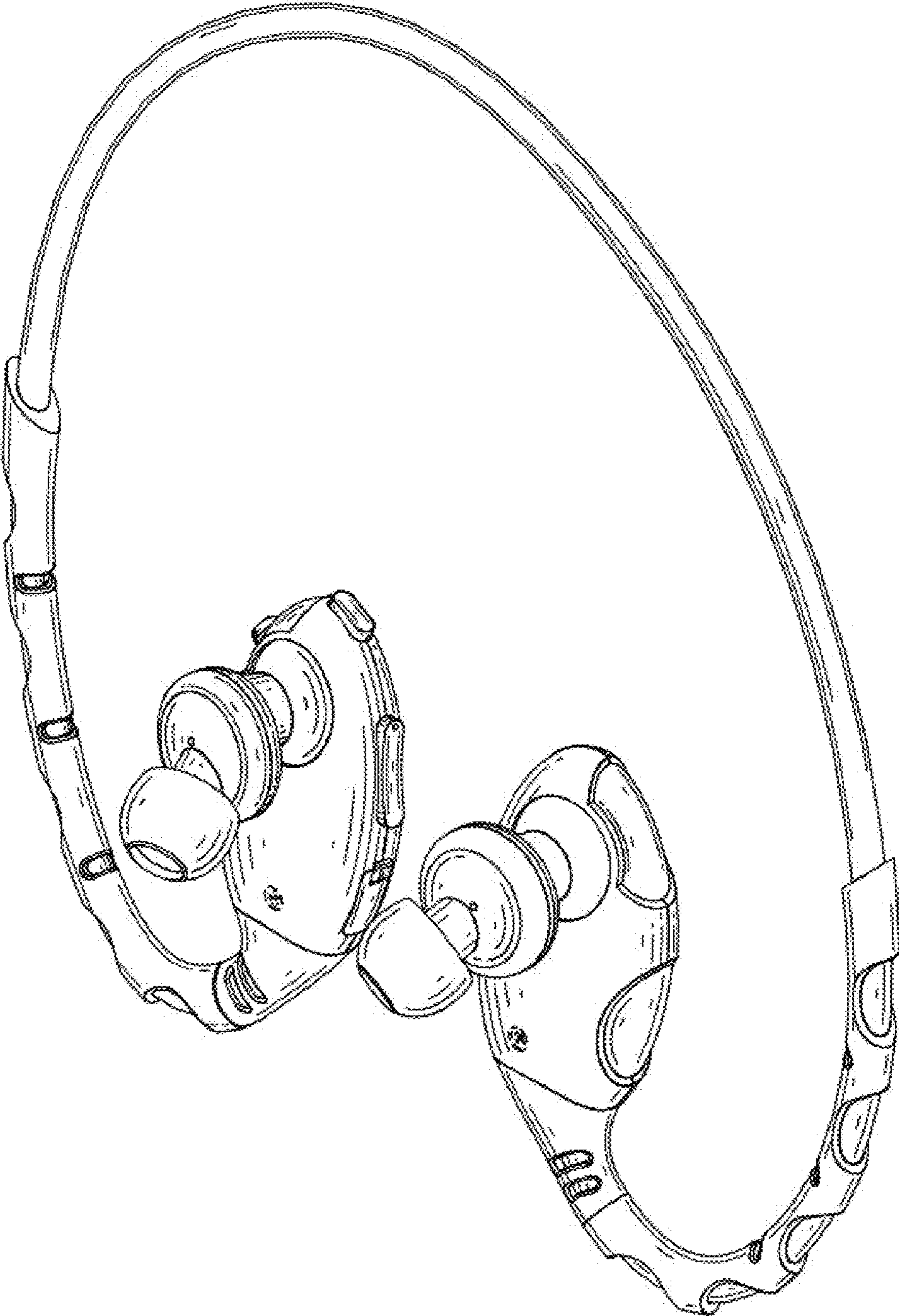


FIG.1

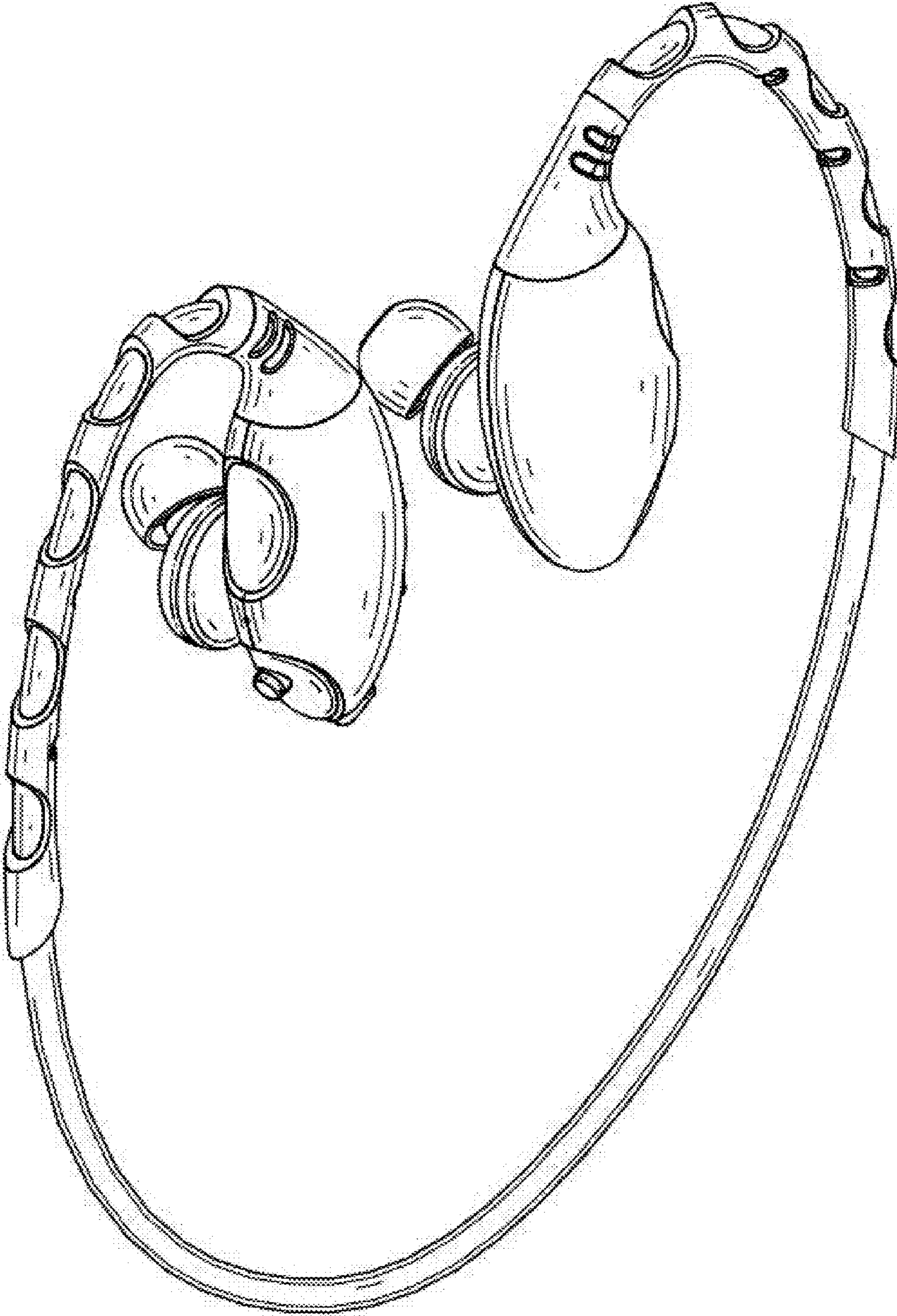


FIG. 2

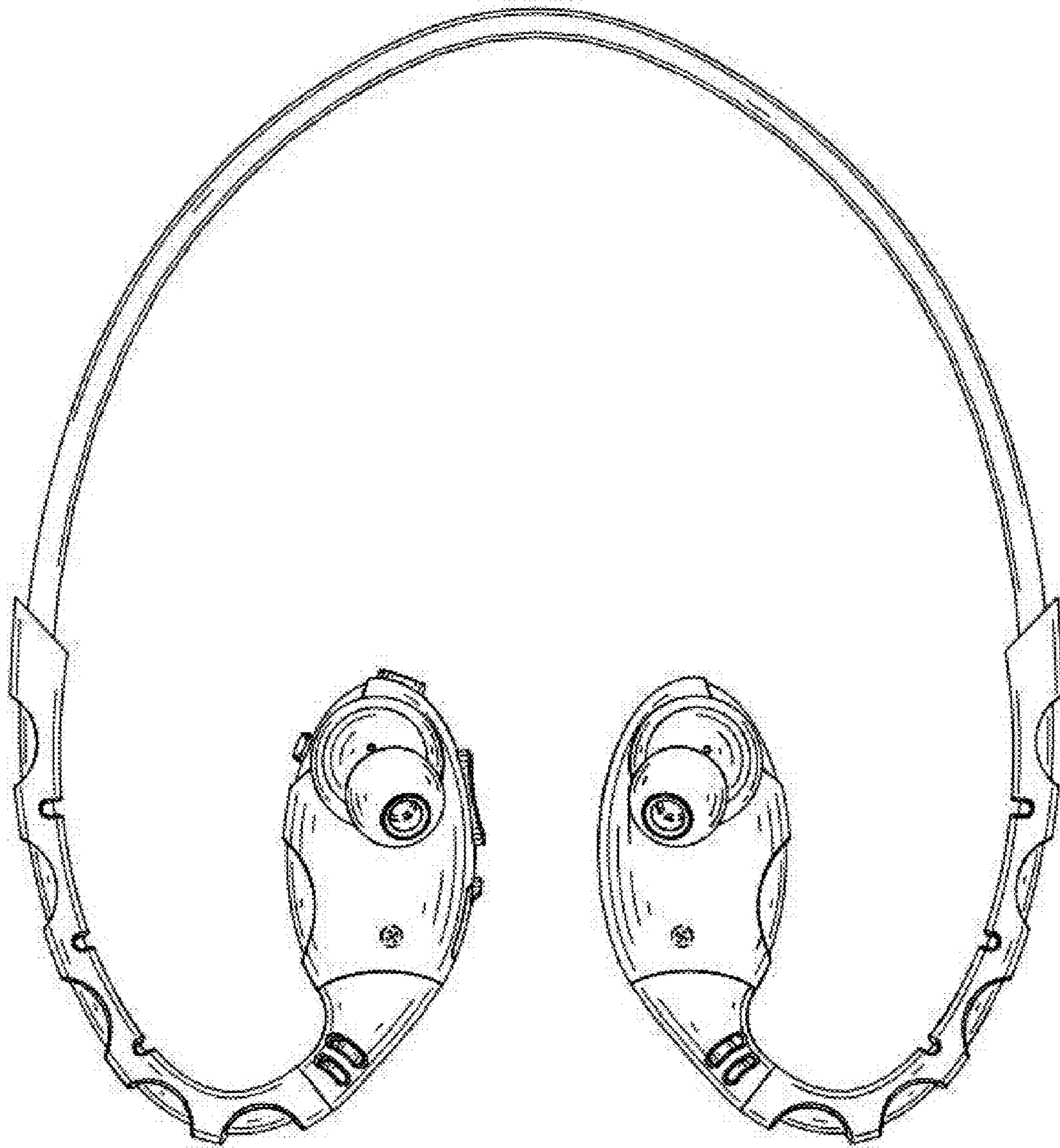


FIG.3

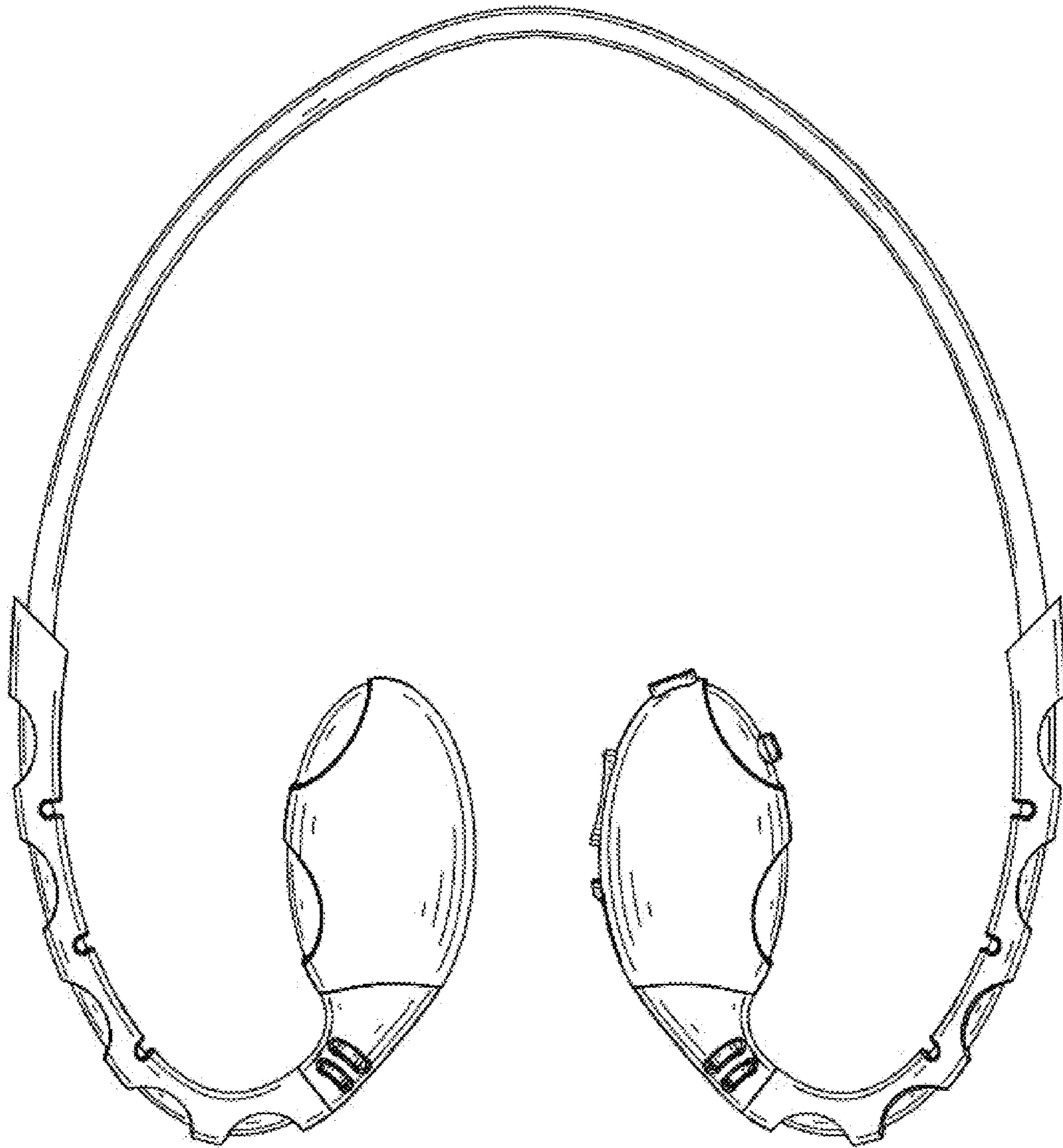


FIG.4

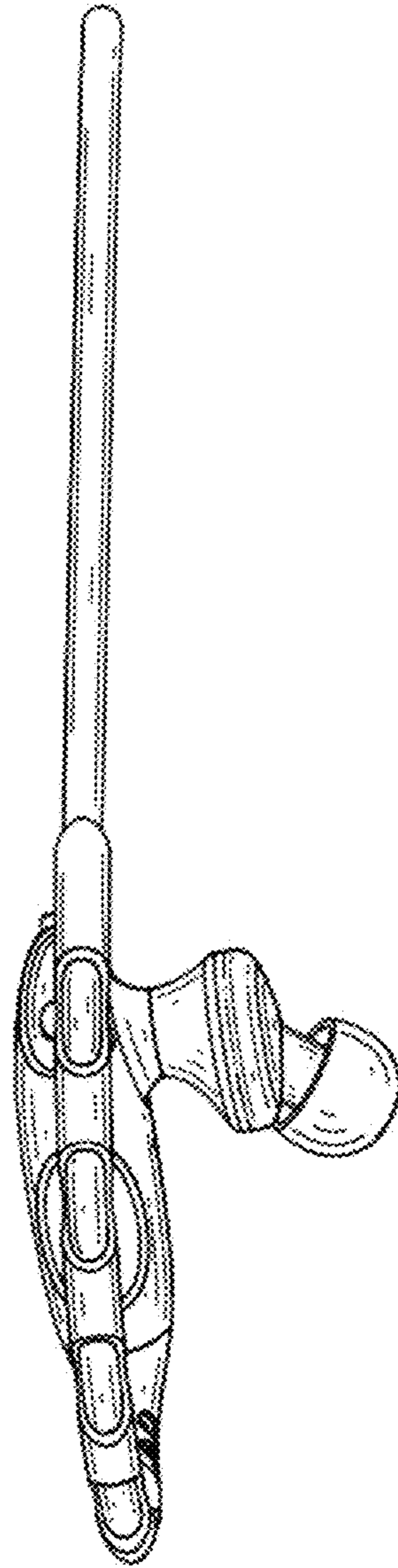


FIG.5

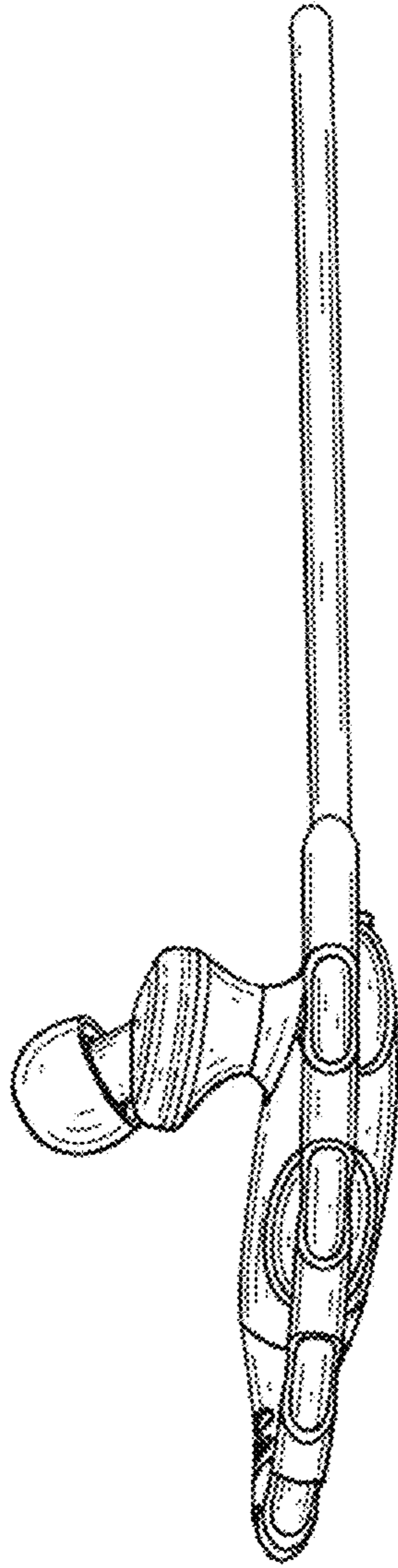


FIG.6

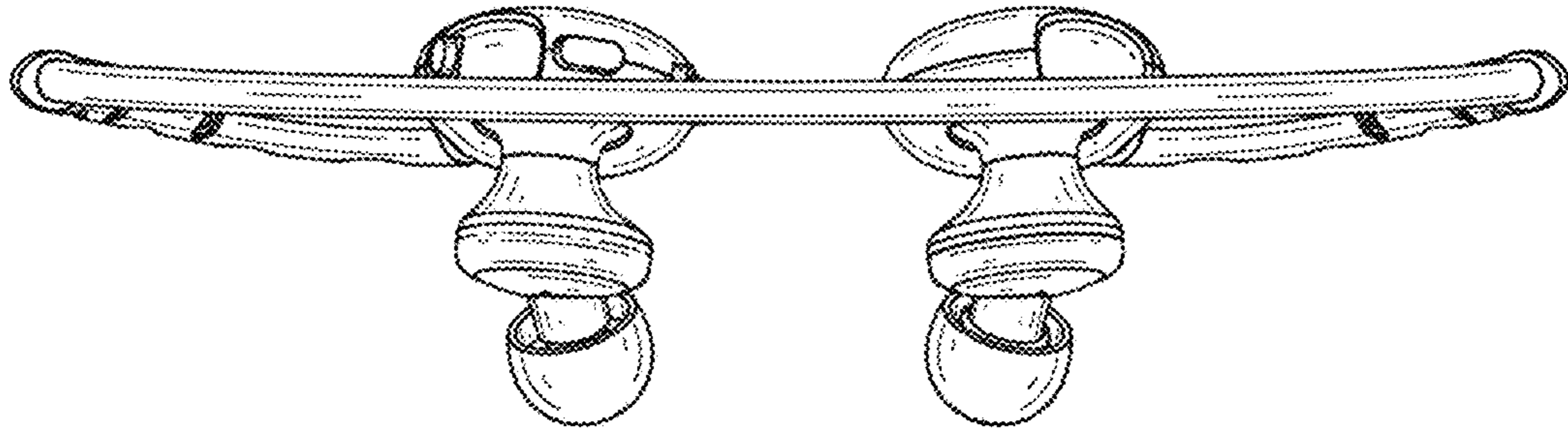


FIG. 7

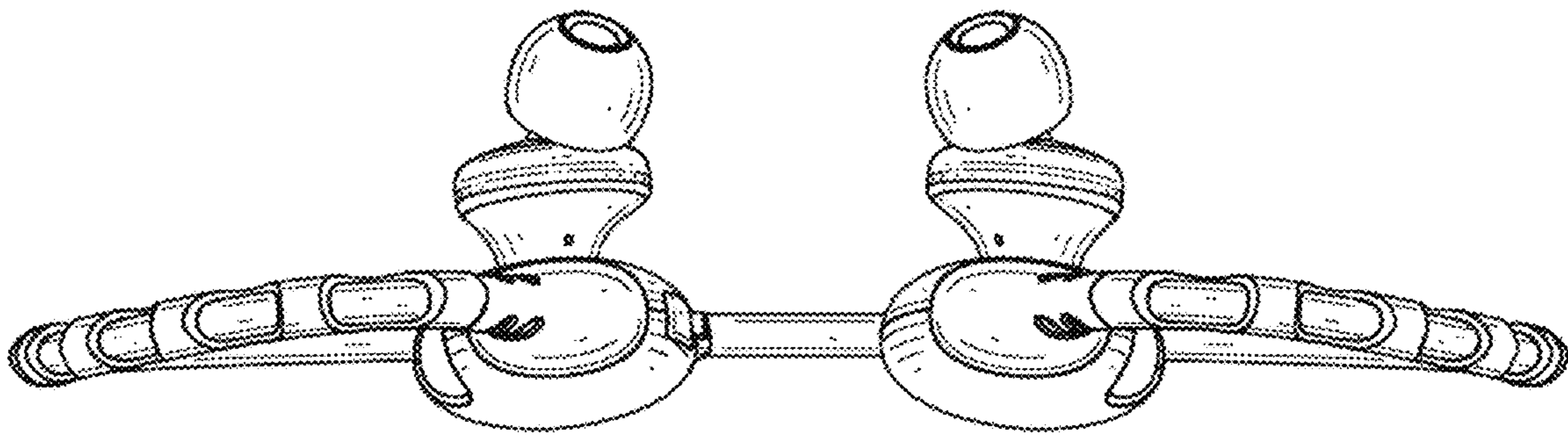


FIG.8