



US00D853351S

(12) **United States Design Patent**
Ott et al.

(10) **Patent No.:** **US D853,351 S**
(45) **Date of Patent:** **** Jul. 9, 2019**

(54) **HEADPHONES**

(71) Applicant: **Harman International Industries, Incorporated**, Northridge, CA (US)

(72) Inventors: **Ryan Ott**, St. Louis, MO (US);
Effrosini A. Karayiannis, St. Louis, MO (US); **Daniel I. Radin**, Waterford, CT (US); **Yanyao He**, Shenzhen (CN)

(73) Assignee: **Harman International Industries, Incorporated**, Northridge, CA (US)

(**) Term: **15 Years**

(21) Appl. No.: **29/615,326**

(22) Filed: **Aug. 28, 2017**

(51) **LOC (11) Cl.** **14-01**

(52) **U.S. Cl.**
USPC **D14/205**

(58) **Field of Classification Search**
USPC D14/205, 372, 223; 181/129, 130, 135;
379/430, 431; 381/380, 381, 374, 375,
381/74, 151; 455/90.3, 575.1, 569.1
CPC H04R 1/105; H04R 1/10; H04R 1/1016;
H04R 1/1066; H04R 5/033; H04R
5/0335; H04R 25/00; H04R 1/1033
See application file for complete search history.

(56) **References Cited**

U.S. PATENT DOCUMENTS

6,010,216 A *	1/2000	Jesiek	H04B 1/385 351/158
D566,099 S	4/2008	Komiyama		
D569,841 S	5/2008	Chung et al.		
D589,493 S	3/2009	Densho		
D593,067 S *	5/2009	Millora	D14/205
D606,971 S	12/2009	Christopher et al.		
D617,308 S *	6/2010	Nousiainen	D14/205
D618,210 S	6/2010	Andre et al.		
D618,211 S	6/2010	Oguro et al.		

D621,389 S	8/2010	Nagayama et al.		
D623,630 S	9/2010	Ohori et al.		
D627,765 S	11/2010	Zheng		
D637,180 S	5/2011	Shimizu et al.		
D641,008 S	7/2011	Lee et al.		
D641,737 S *	7/2011	Krauss	D14/205
D645,458 S *	9/2011	Silvestri	H04R 1/1016 D14/223

(Continued)

FOREIGN PATENT DOCUMENTS

CN	304317823 S	10/2017
EM	002756031-0001	9/2015
EM	004037588-0002	6/2017

OTHER PUBLICATIONS

JBL Everest Elite 100 Quick Start Guide, JBL by Harman, Jan. 18, 2016.

(Continued)

Primary Examiner — Paula Allen Greene
(74) *Attorney, Agent, or Firm* — Plumsea Law Group, LLC

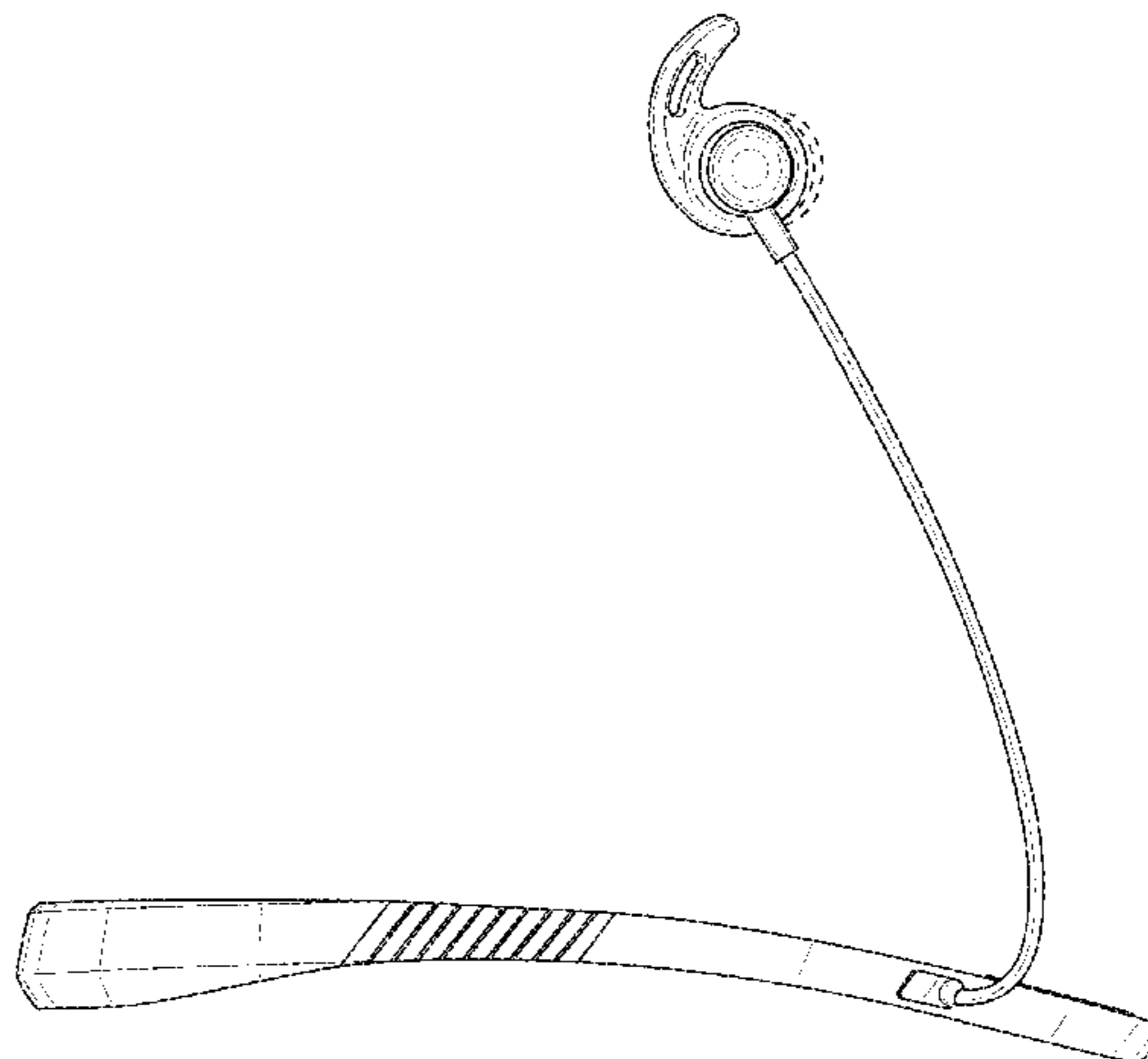
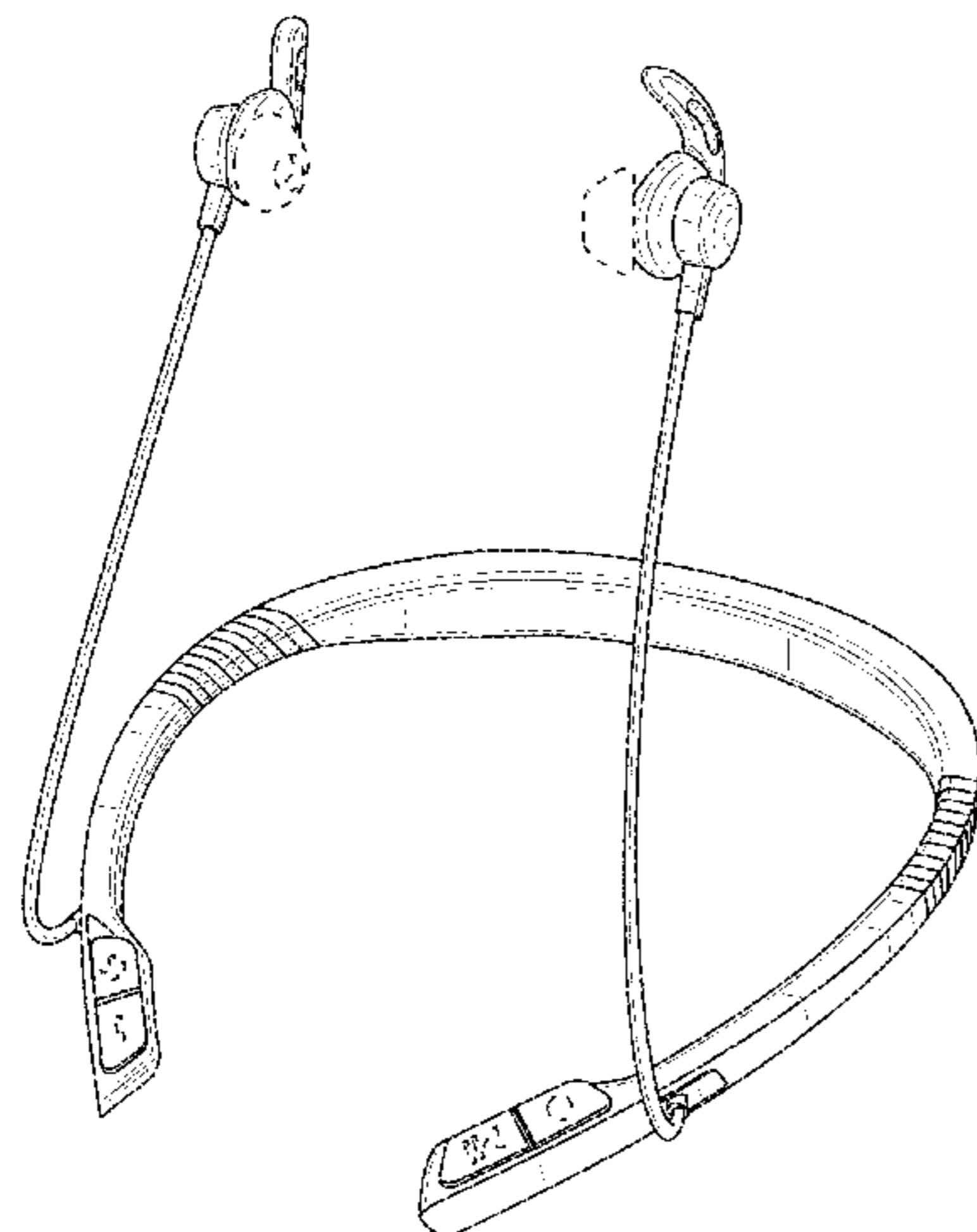
(57) **CLAIM**

The ornamental design for headphones, as shown and described.

DESCRIPTION

FIG. 1 is a perspective view of headphones showing our new design;
FIG. 2 is a front elevation view thereof;
FIG. 3 is a rear elevation view thereof;
FIG. 4 is a side elevation view of one side thereof;
FIG. 5 is a side elevation view of the opposite side thereof;
FIG. 6 is a top plan view thereof; and,
FIG. 7 is a bottom plan view thereof.
The broken line showings form no part of the claimed design.

1 Claim, 7 Drawing Sheets



(56)

References Cited

U.S. PATENT DOCUMENTS

D652,822 S 1/2012 Lee et al.
 D656,491 S 3/2012 Nomura
 D663,714 S * 7/2012 Kang D14/205
 D678,856 S 3/2013 Feng et al.
 D678,857 S 3/2013 Feng et al.
 D678,858 S 3/2013 Eng et al.
 D679,267 S 4/2013 Lee et al.
 D679,682 S 4/2013 Shimizu et al.
 D686,191 S * 7/2013 Schaal D14/205
 D689,848 S 9/2013 Lee et al.
 D694,220 S 11/2013 Lee et al.
 D695,724 S 12/2013 Ishikura
 D698,760 S 2/2014 Lee et al.
 D700,905 S 3/2014 Pavitsich
 D703,634 S * 4/2014 Han H04R 1/1016
 D715,253 S 10/2014 Lee et al.
 D715,254 S 10/2014 Lee et al.
 D718,745 S 12/2014 Thompson et al.
 D721,673 S * 1/2015 Park D14/205
 D727,871 S 4/2015 Orbach
 D729,775 S 5/2015 Seo et al.
 D740,255 S 10/2015 Samrelius
 D740,785 S * 10/2015 Chen D14/205
 D740,786 S 10/2015 Huang et al.
 D742,859 S 11/2015 Miyake et al.
 D743,933 S * 11/2015 Park D14/205
 D760,189 S 6/2016 Loh Jun Kern et al.
 D762,196 S 7/2016 Hsieh et al.
 D762,617 S * 8/2016 Park D14/205
 D763,224 S * 8/2016 Silvestri H04R 1/1016
 D763,822 S * 8/2016 Lee D14/205
 D766,210 S * 9/2016 Graylin D14/205
 D771,011 S 11/2016 Ott et al.
 D771,587 S * 11/2016 Iwane D14/205
 D775,108 S 12/2016 Hsieh et al.
 D776,636 S * 1/2017 Lim D14/205
 D777,011 S * 1/2017 Vavassori D12/345
 D777,136 S * 1/2017 Erbeus D14/205
 D777,137 S * 1/2017 Erbeus D14/205
 D777,139 S 1/2017 Fletcher et al.

D778,268 S 2/2017 Hsieh et al.
 D780,155 S 2/2017 Levine et al.
 9,571,928 B2 * 2/2017 Seo G06F 3/165
 D784,962 S 4/2017 Yang
 D796,473 S * 9/2017 Kim D14/205
 D800,703 S 10/2017 Vaclavik
 9,794,683 B2 * 10/2017 Kim H04R 1/323
 D803,816 S 11/2017 Bolster
 D810,720 S * 2/2018 Lee D14/205
 D811,366 S 2/2018 Mackiewicz et al.
 D822,646 S * 7/2018 Dang D14/223
 D824,358 S * 7/2018 Vaclavik D14/205
 D826,899 S * 8/2018 Ahn D14/205
 2007/0003093 A1 * 1/2007 Ito H04R 1/1066
 2015/0222978 A1 6/2015 Murozaki
 2015/0196101 A1 * 7/2015 Dayal A61H 3/061
 2015/0264474 A1 * 9/2015 Seo G06F 3/165
 2016/0098138 A1 * 4/2016 Park G06F 3/0416
 381/378
 63/1.11
 381/74

OTHER PUBLICATIONS

JBL Everest Elite 100 Specification Sheet, JBL by Harman, 2015.
 Design U.S. Appl. No. 29/631,197, filed Dec. 28, 2017, available via USPTO.
 Design U.S. Appl. No. 29/631,265, filed Dec. 28, 2017, available via USPTO.
 Design U.S. Appl. No. 29/631,217, filed Dec. 28, 2017, available via USPTO.
 JBL Everest Elite 100 NXTGEN Noise-Cancelling Bluetooth In-Ear Headphones Black, first available Mar. 15, 2016, site visited Nov. 20, 2017, Copyright © 1996-2017, <https://www.amazon.com/JBL-Everest-Elite-Noise-Cancelling-Bluetooth-Headphones/dp/B01D0CEC62/ref=sr_1_2_sspa?ie=UTF8&qid=1511212239&sr=8-2-spons&keywords=jbl+everest+elite&psc=1&smid=AKR88PAWTQVN2>.
 Design U.S. Appl. No. 29/560,428, filed Apr. 6, 2018, available via USPTO.
 JBL Everst Elite 100 Quick Start Guide, JBL by Harman, Jan. 18, 2016.

* cited by examiner

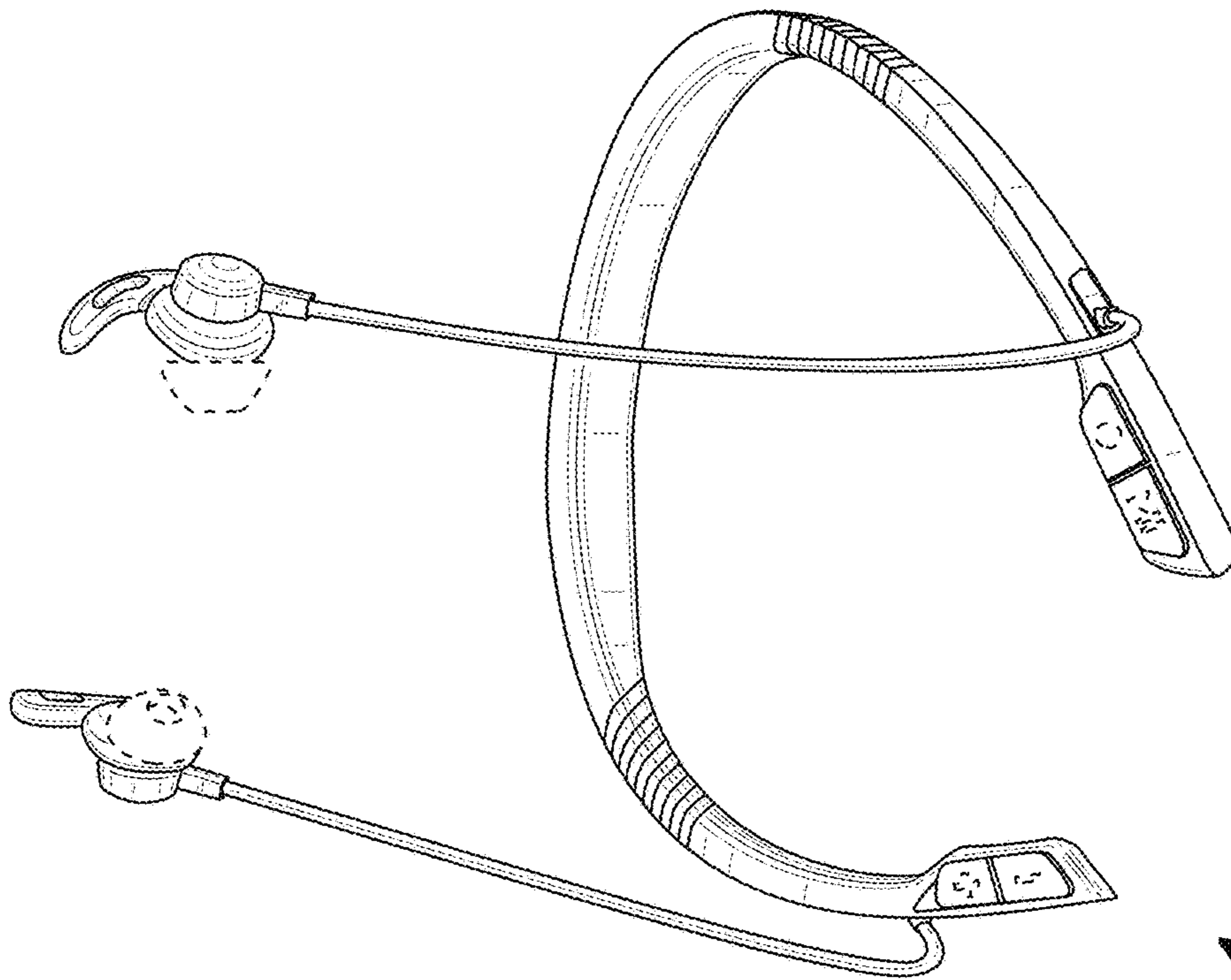
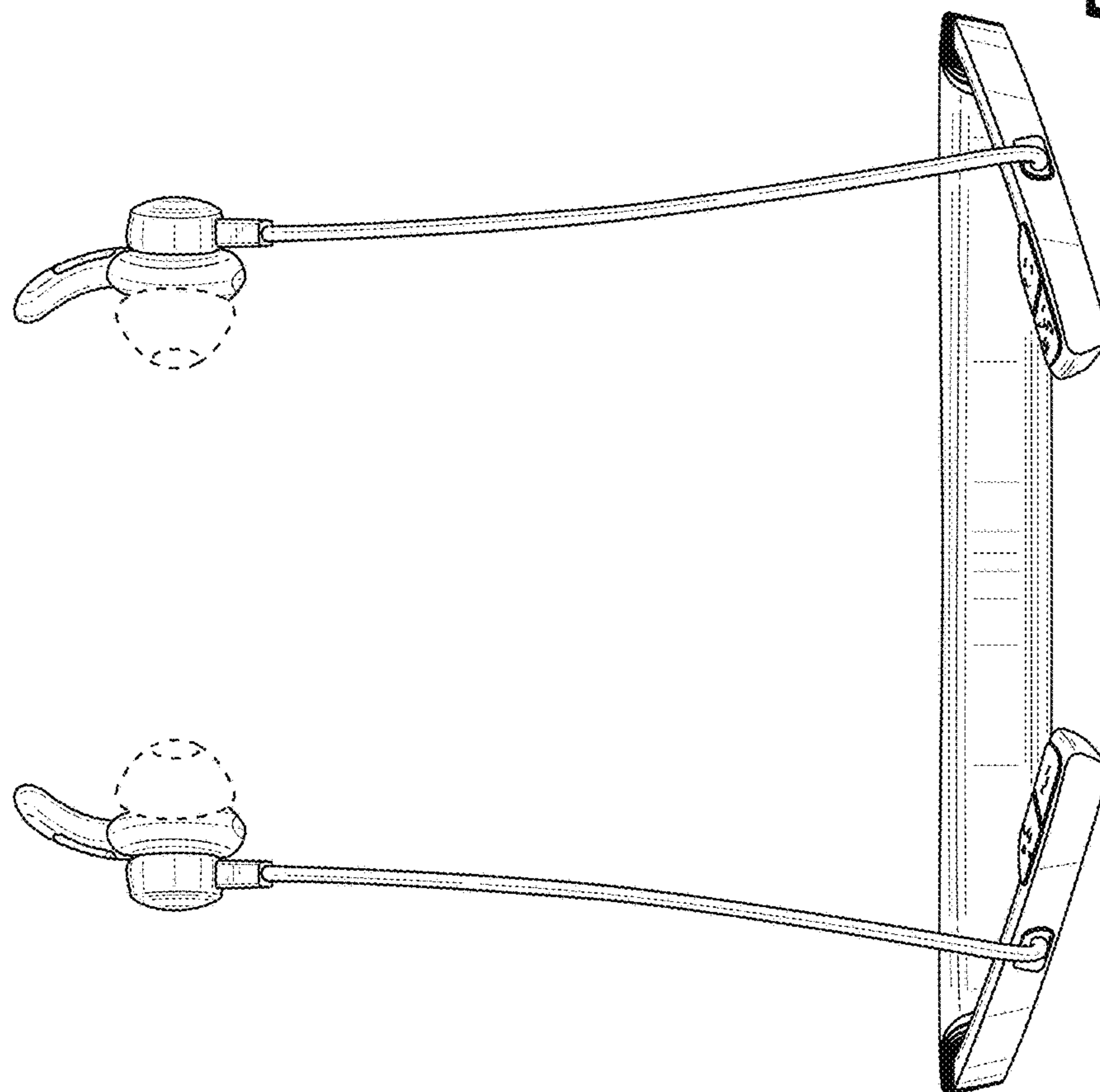


FIG. 1



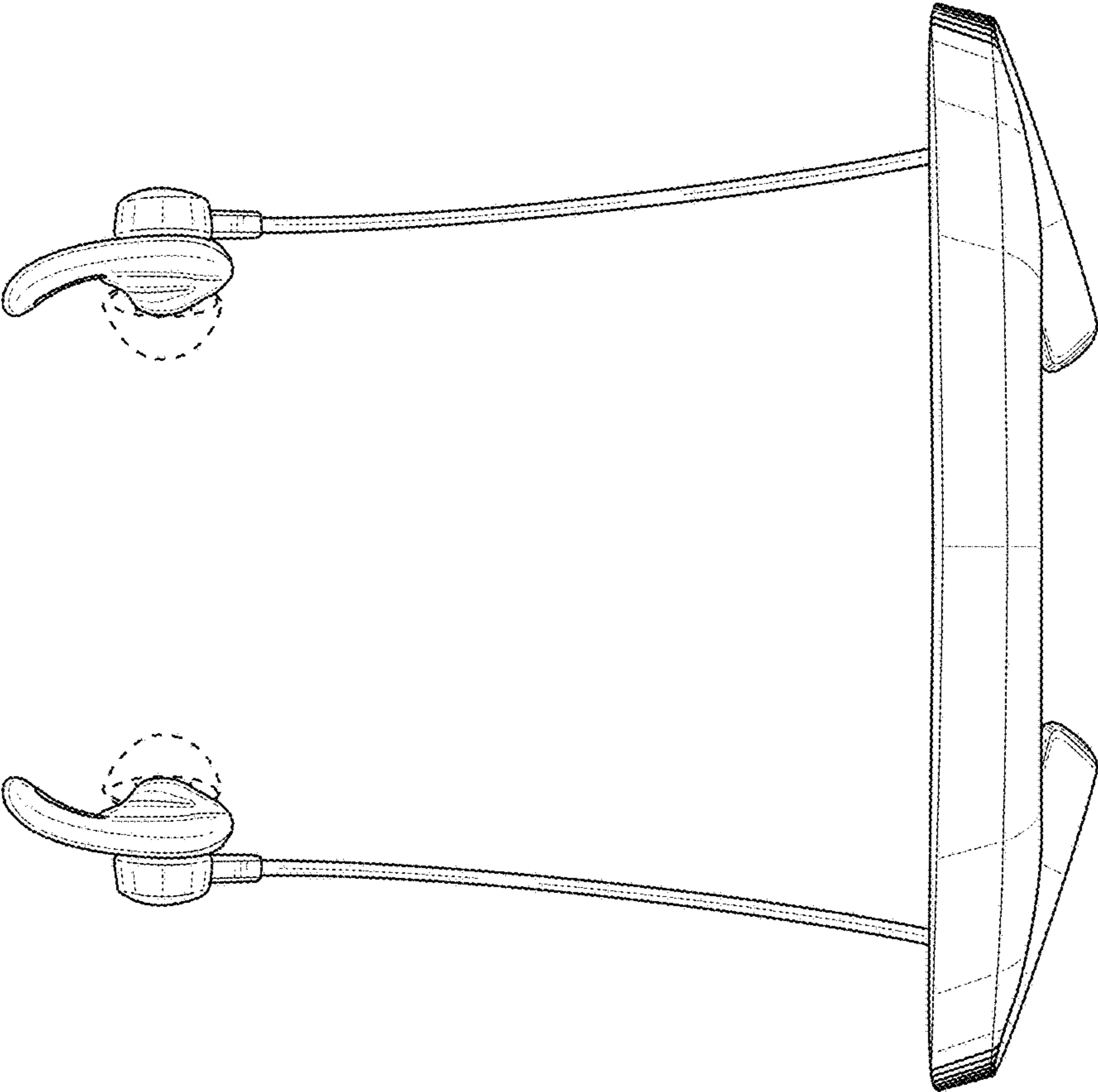


FIG. 3

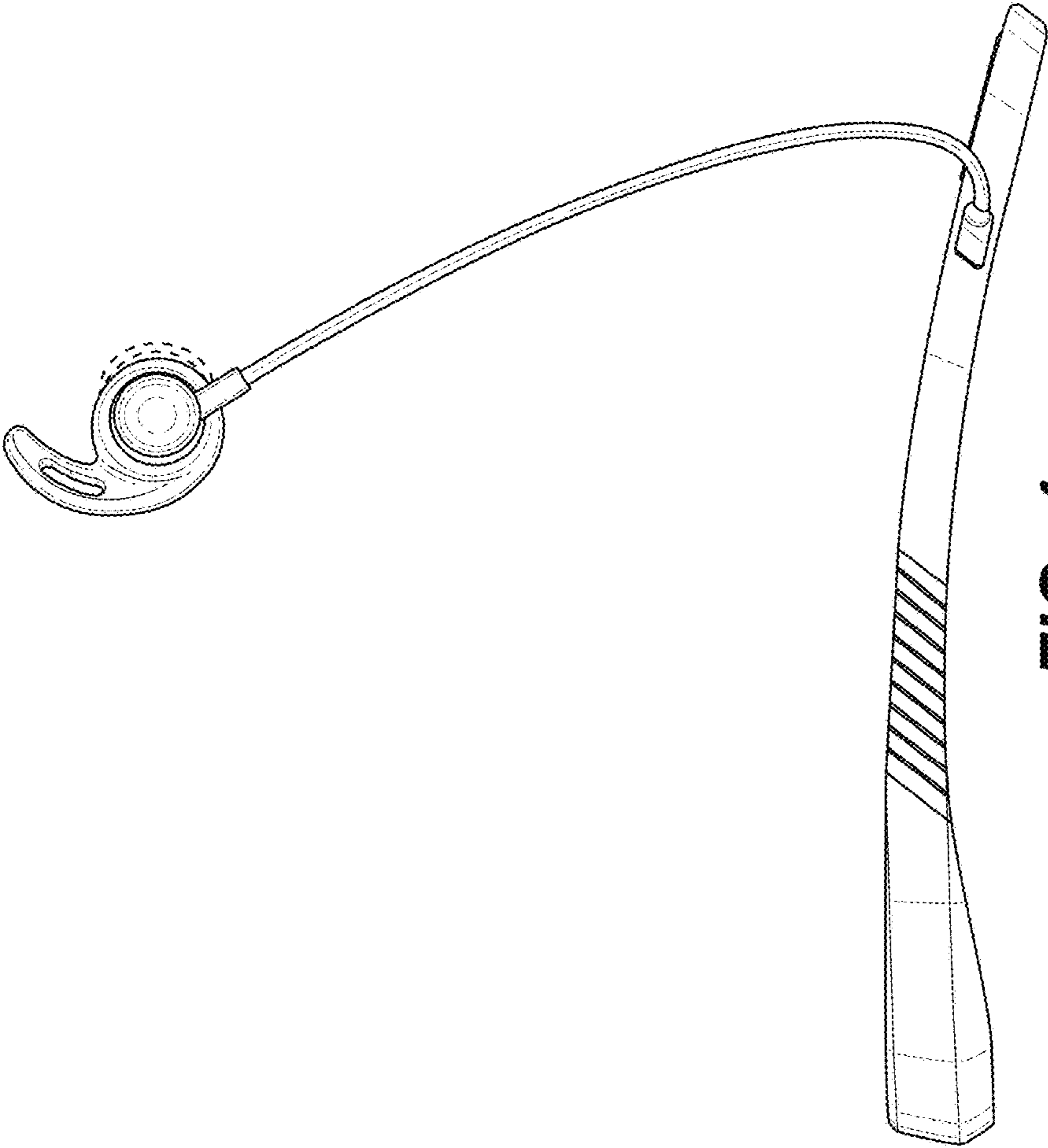


FIG. 4



FIG. 5

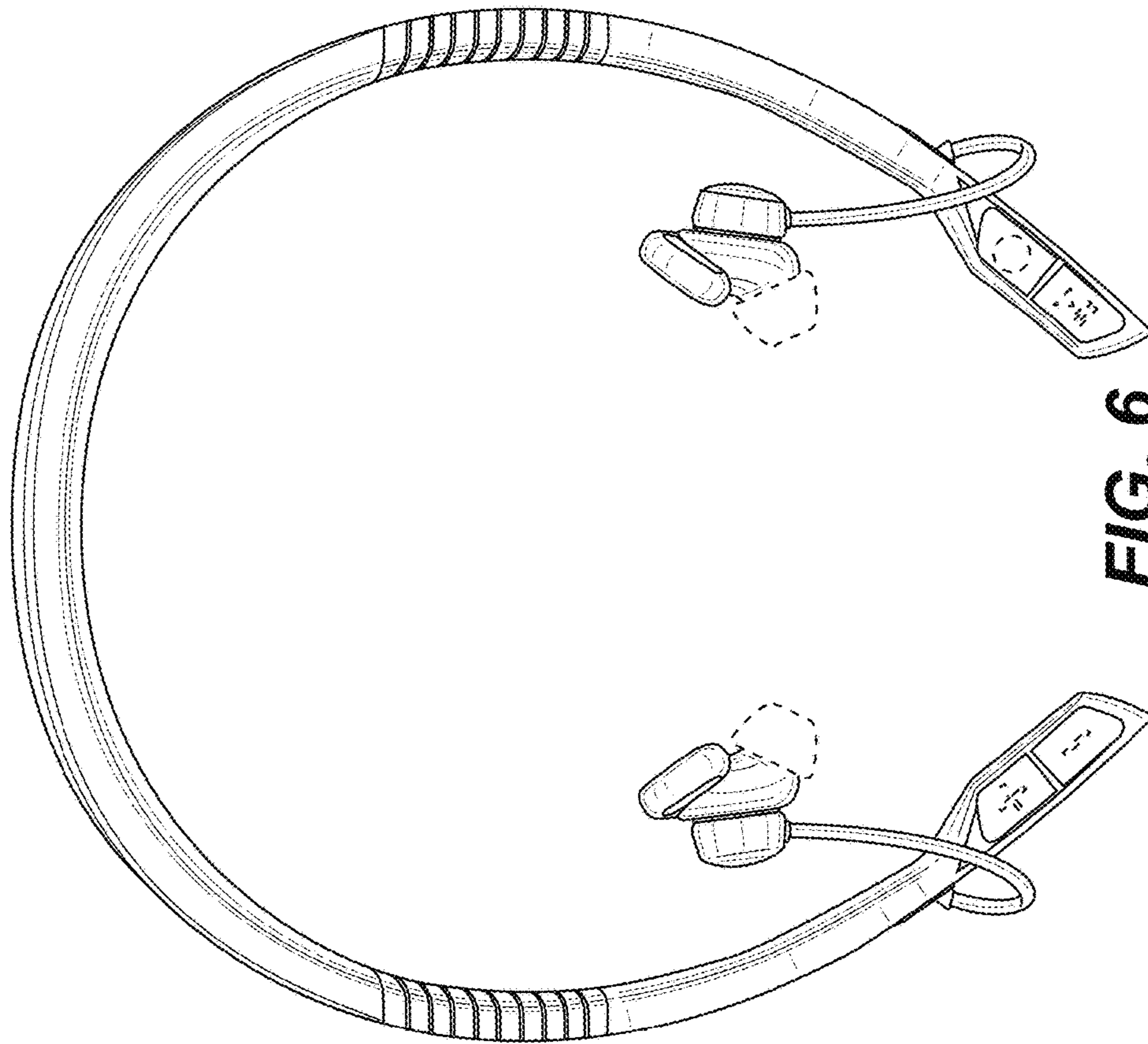


FIG. 6

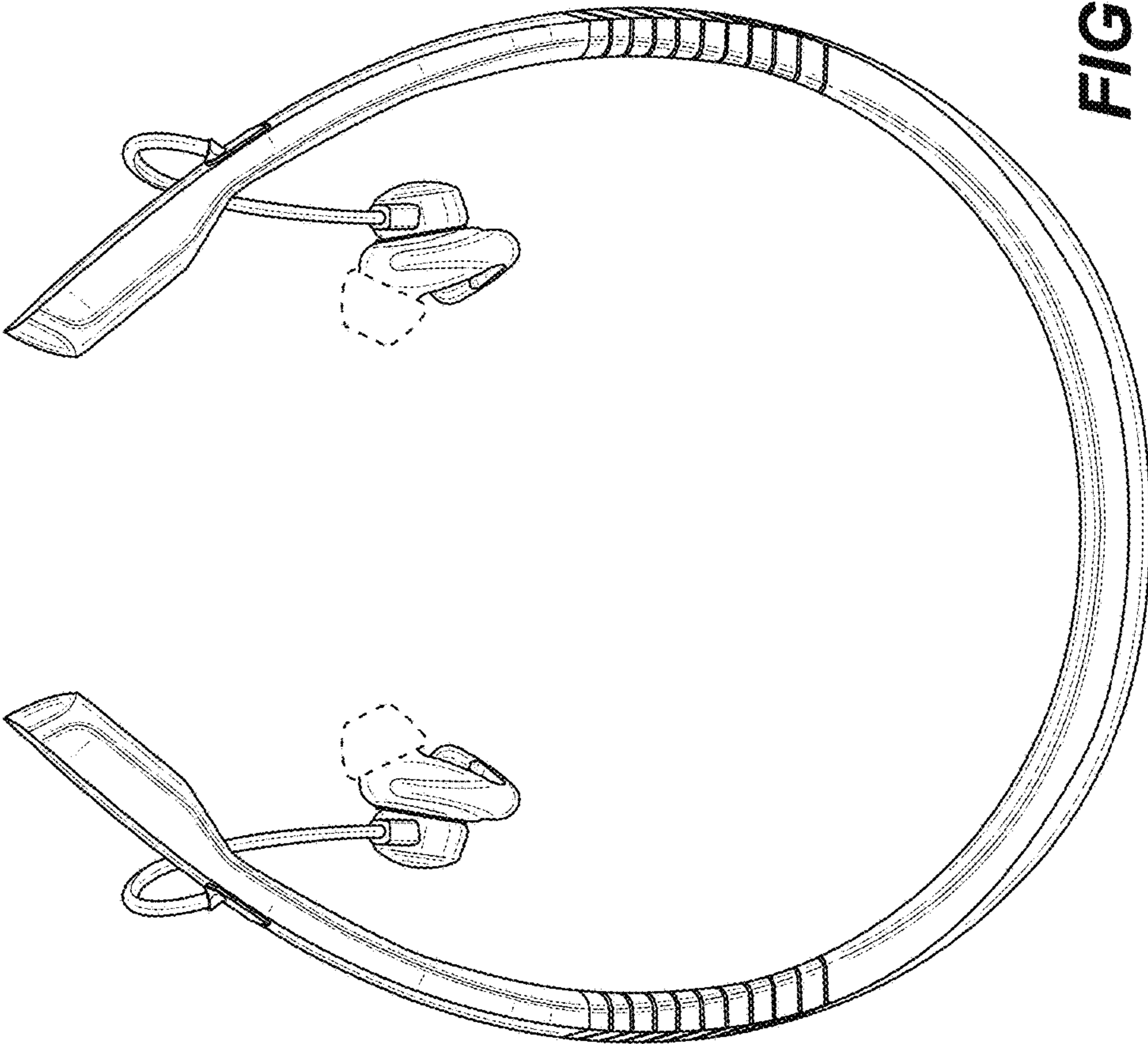


FIG. 7