



US00D853349S

(12) **United States Design Patent**  
**Milstead et al.**

(10) **Patent No.:** **US D853,349 S**  
(45) **Date of Patent:** **\*\* Jul. 9, 2019**

(54) **BOOMBOX**

(71) Applicant: **Walmart Apollo, LLC**, Bentonville, AR (US)

(72) Inventors: **Jason Milstead**, Bentonville, AR (US);  
**David Hyde**, Bentonville, AR (US);  
**Roger Fontaine**, Attleboro, MA (US);  
**Christopher Carbone**, Attleboro, MA (US);  
**Jeremy McDaniel**, Attleboro, MA (US)

(73) Assignee: **Walmart Apollo, LLC**, Bentonville, AR (US)

(\*\*) Term: **15 Years**

(21) Appl. No.: **29/629,686**

(22) Filed: **Dec. 14, 2017**

(51) **LOC (11) Cl.** ..... **14-01**

(52) **U.S. Cl.**  
USPC ..... **D14/168**

(58) **Field of Classification Search**  
USPC ..... D14/168-171, 188-198, 204-216, 496,  
D14/498-511; 455/90.1-90.3, 344-355;  
312/7.1; 369/6-12  
CPC ..... H04B 1/06; H04B 1/08; H04B 1/086  
See application file for complete search history.

(56) **References Cited**

**U.S. PATENT DOCUMENTS**

D425,062 S \* 5/2000 Kokkinis ..... D14/168  
D440,550 S \* 4/2001 Nakano ..... D14/168

D451,487 S \* 12/2001 Ng ..... D14/168  
D468,716 S \* 1/2003 Cuvelier ..... D14/168  
D547,299 S \* 7/2007 Obata ..... D14/168  
D599,322 S \* 9/2009 Zheng ..... D14/168  
D601,998 S \* 10/2009 Zheng ..... D14/168  
D626,529 S \* 11/2010 Lam ..... D14/168  
D676,413 S \* 2/2013 Poandl ..... D14/171

\* cited by examiner

*Primary Examiner* — Sandra L Morris

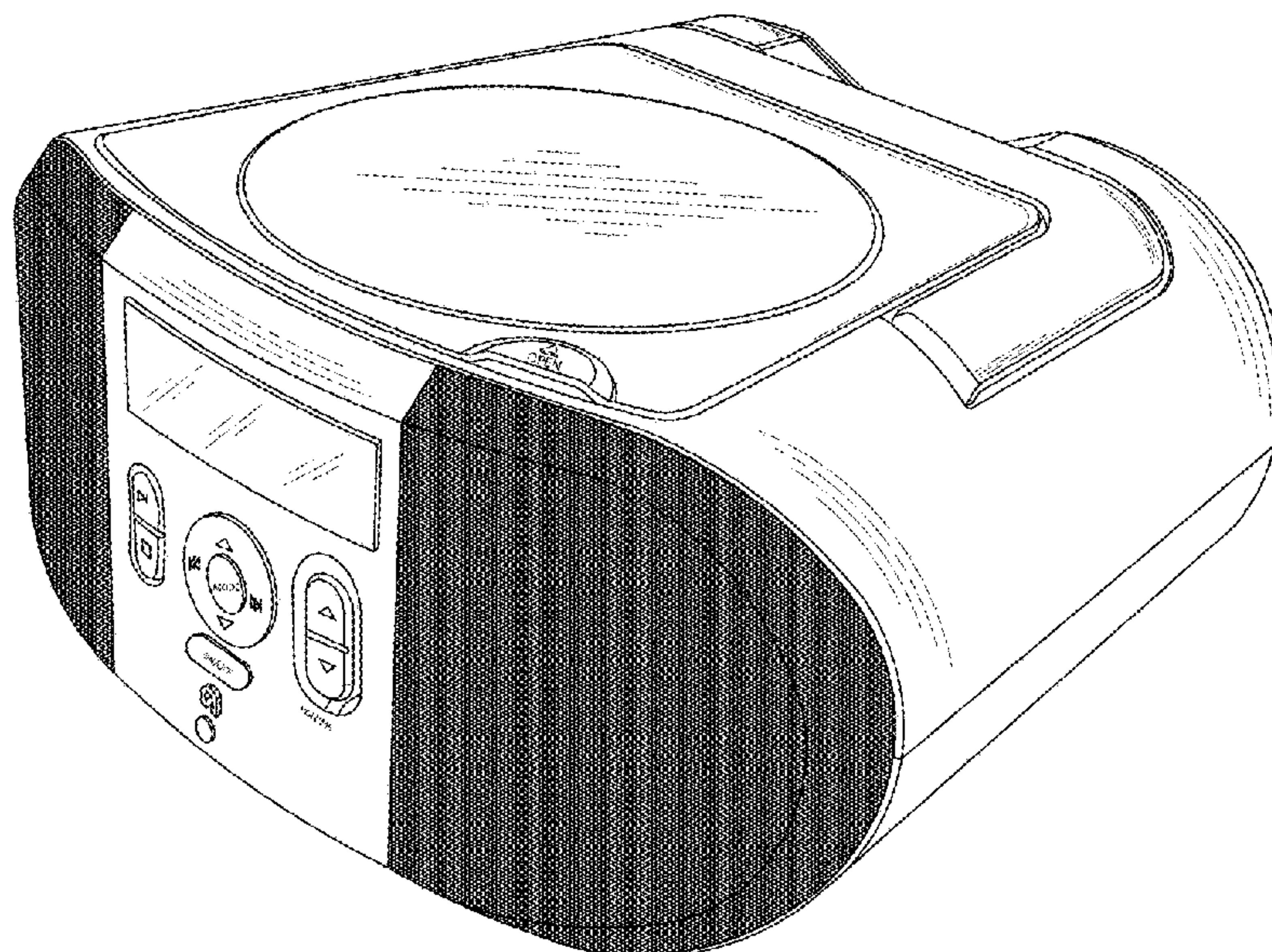
(57) **CLAIM**

The ornamental design for a boombox, as shown and described.

**DESCRIPTION**

FIG. 1 is a perspective view of a boombox;  
FIG. 2 is a front perspective view thereof, with the handle shown in an upright position;  
FIG. 3 is a rear perspective view thereof, with the handle shown in an upright position;  
FIG. 4 is a bottom view thereof;  
FIG. 5 is a top view thereof;  
FIG. 6 is a front view thereof;  
FIG. 7 is a back view thereof;  
FIG. 8 is a side view thereof; and,  
FIG. 9 is a side view thereof.  
The broken lines in the drawings depict boundaries of the claims and form no part thereof.

**1 Claim, 9 Drawing Sheets**



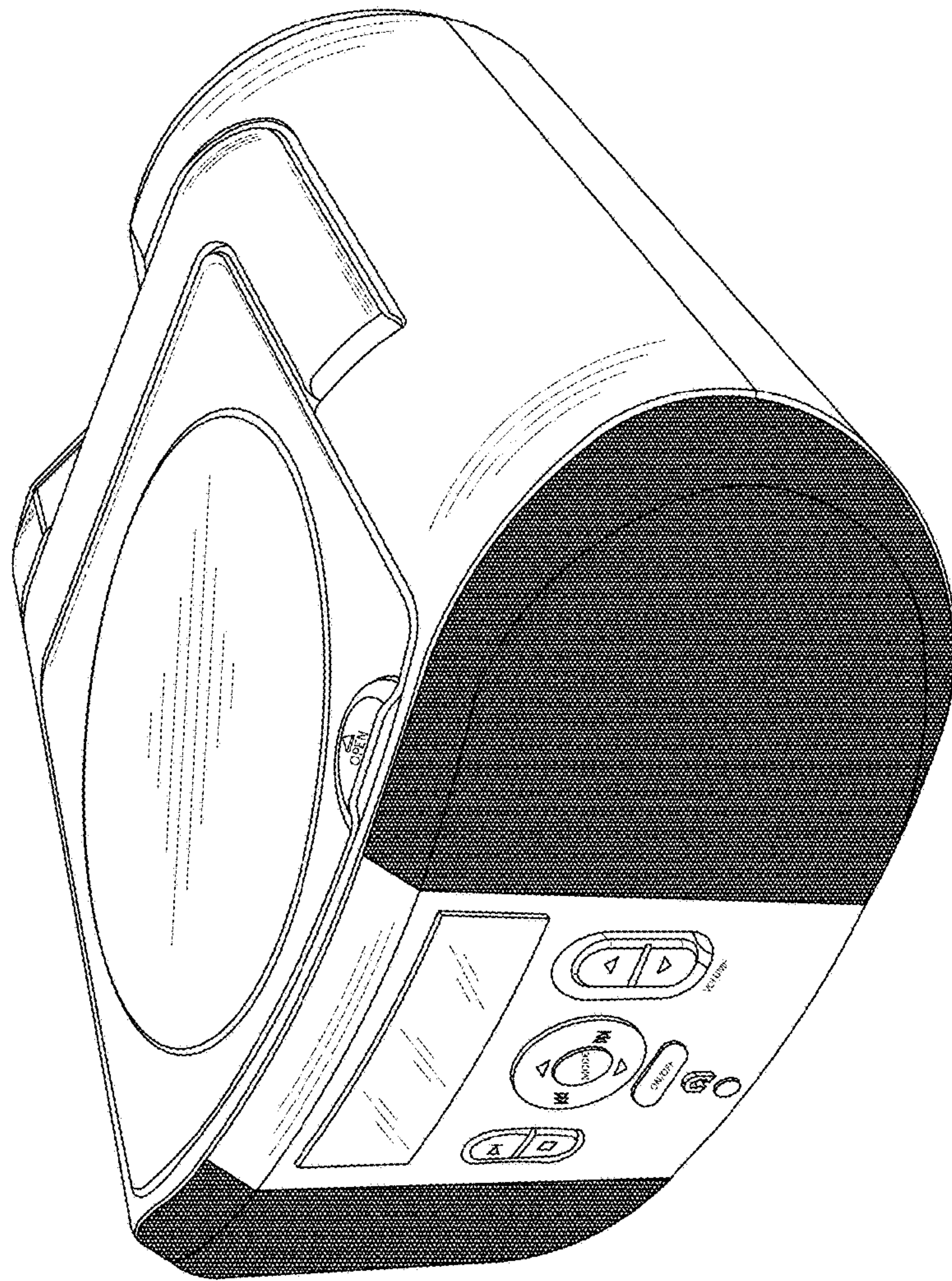


FIG. 1



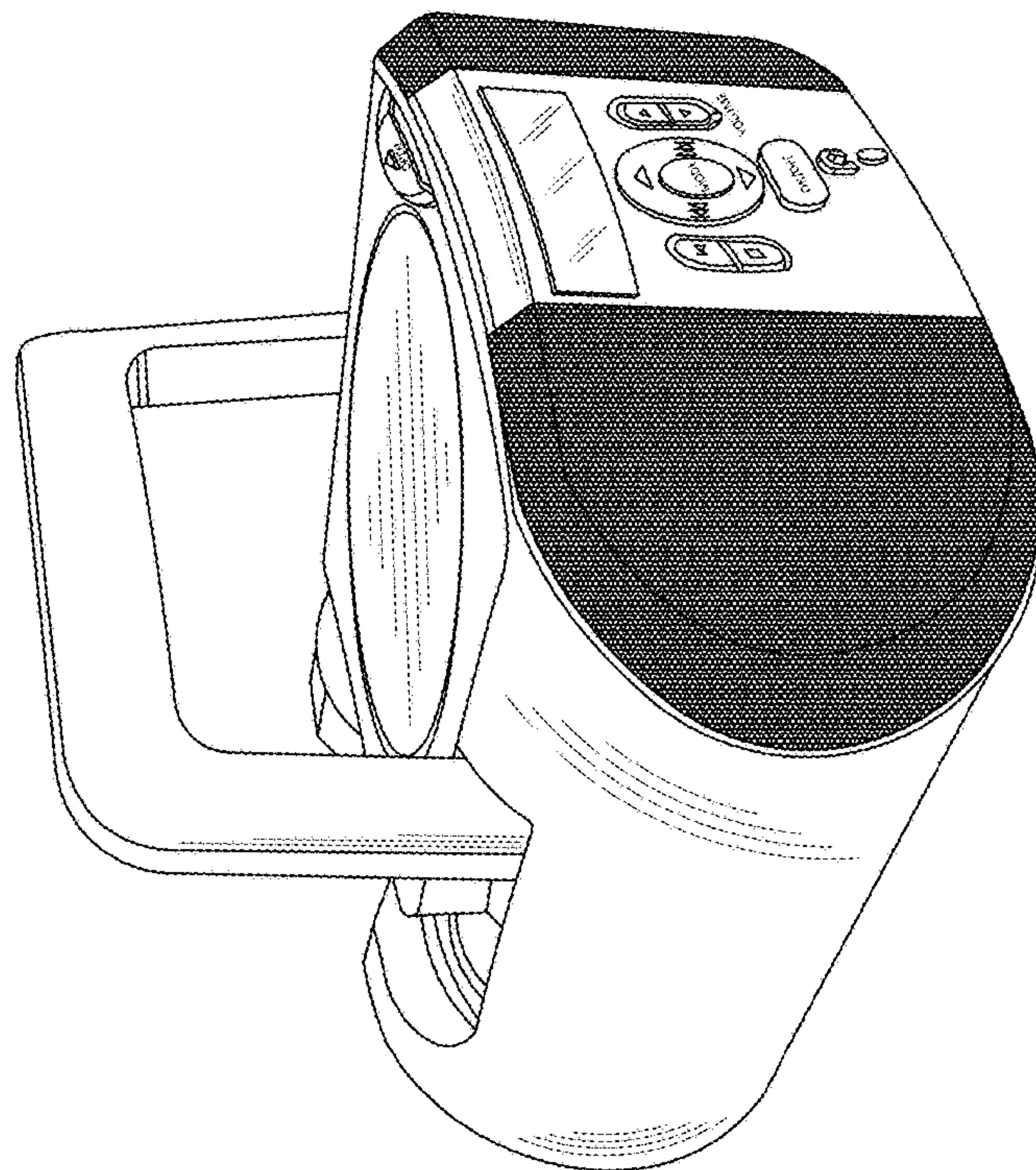


FIG. 2

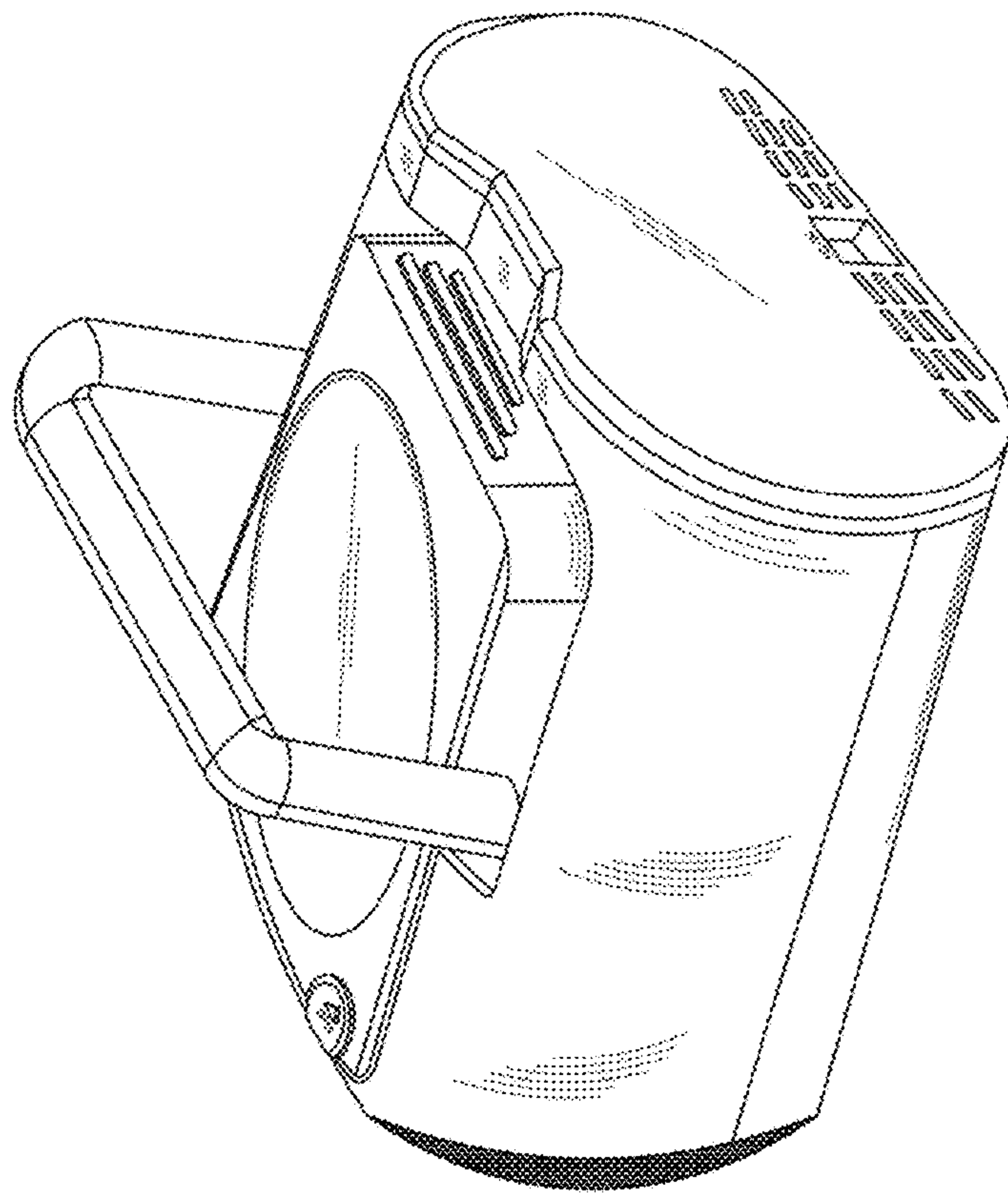


FIG. 3

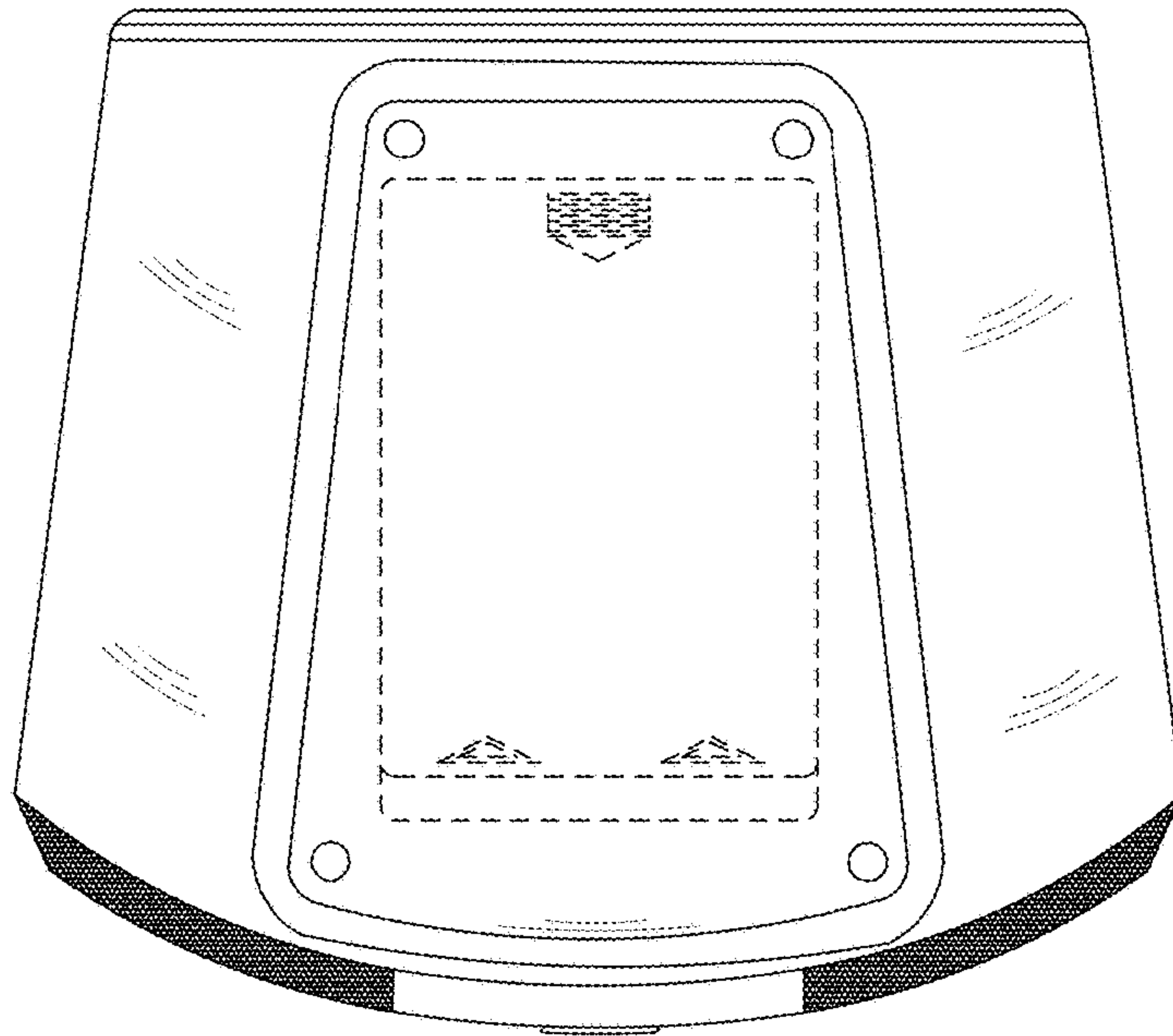


FIG. 4

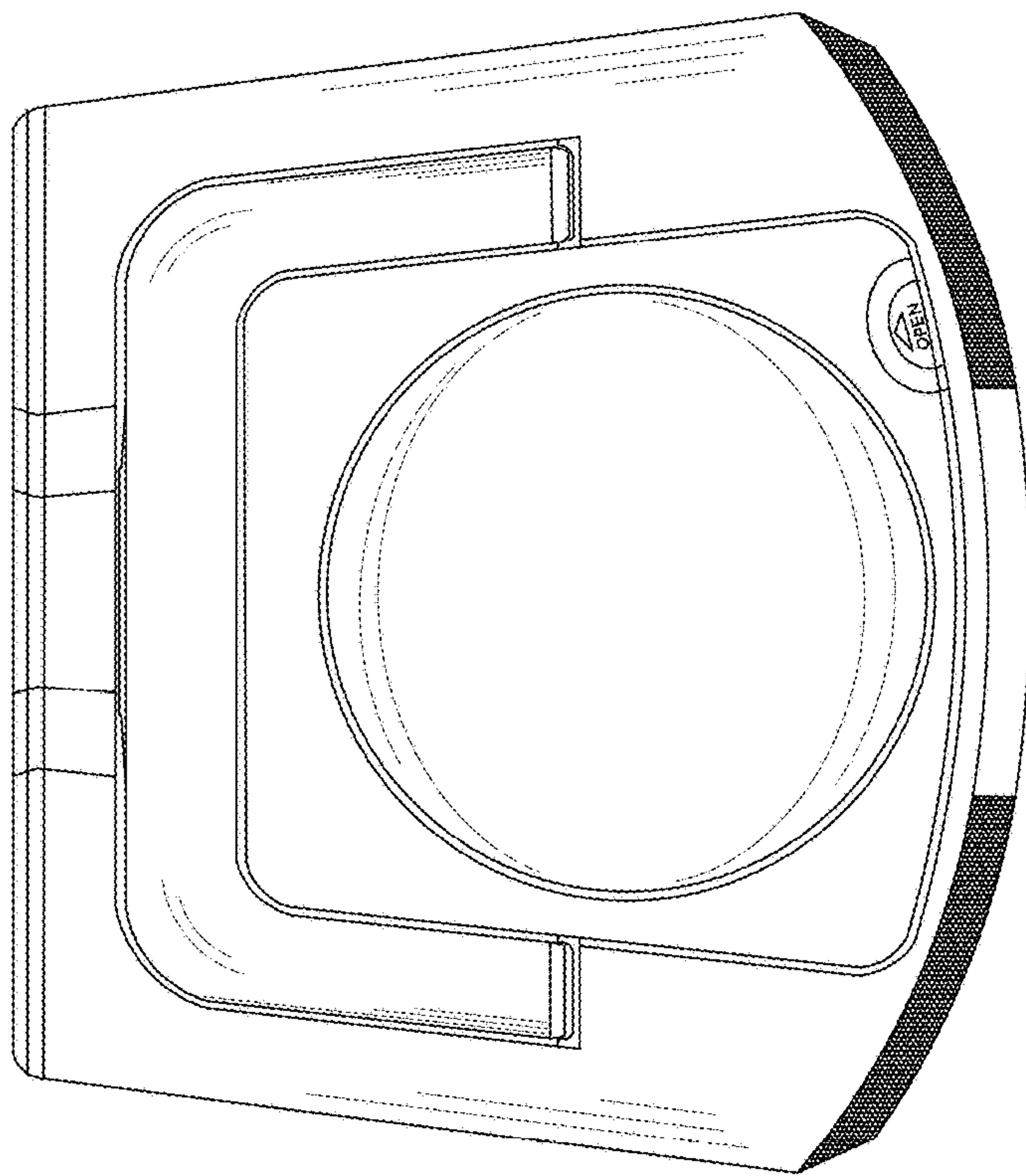


FIG. 5



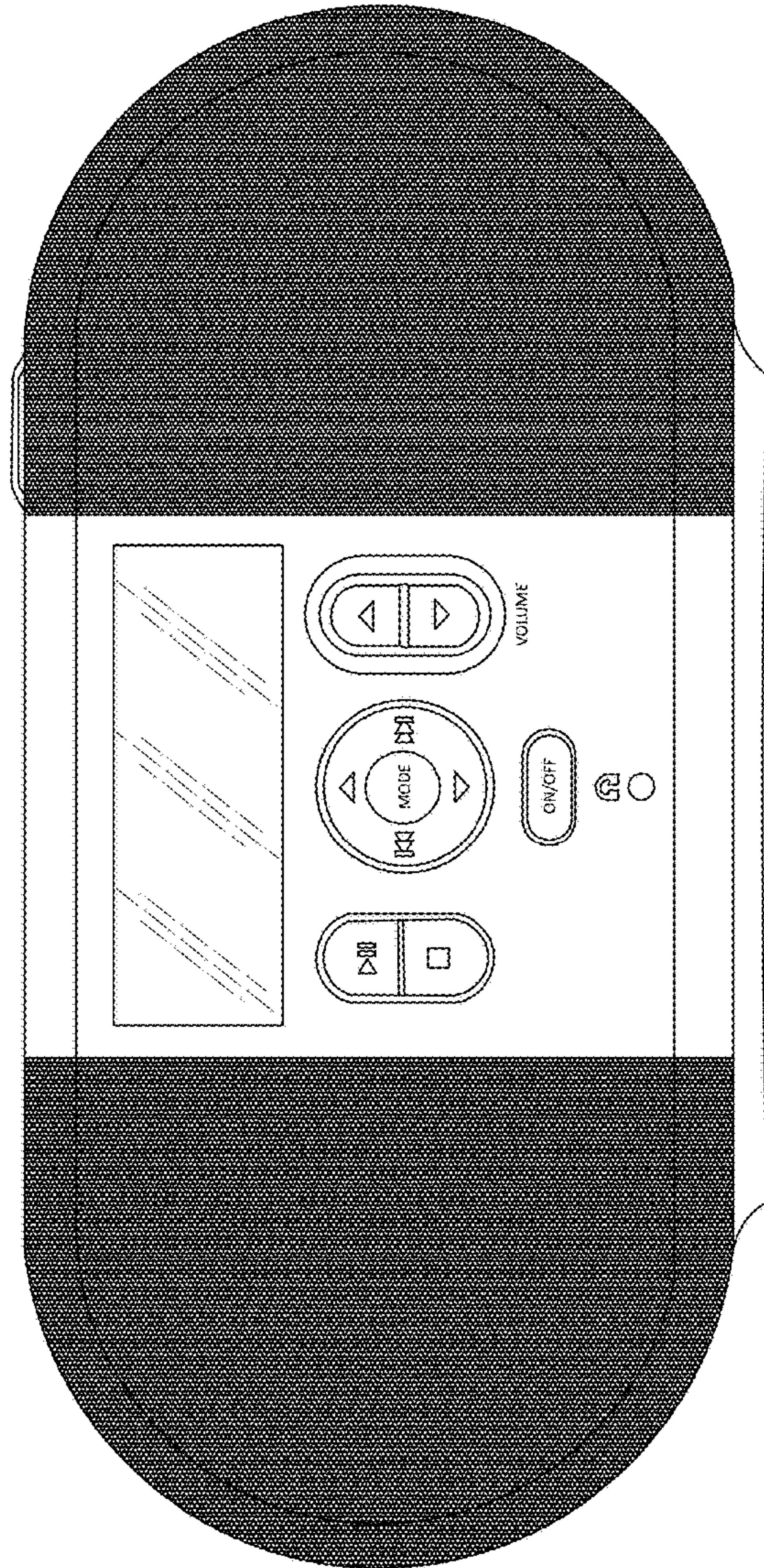


FIG. 6

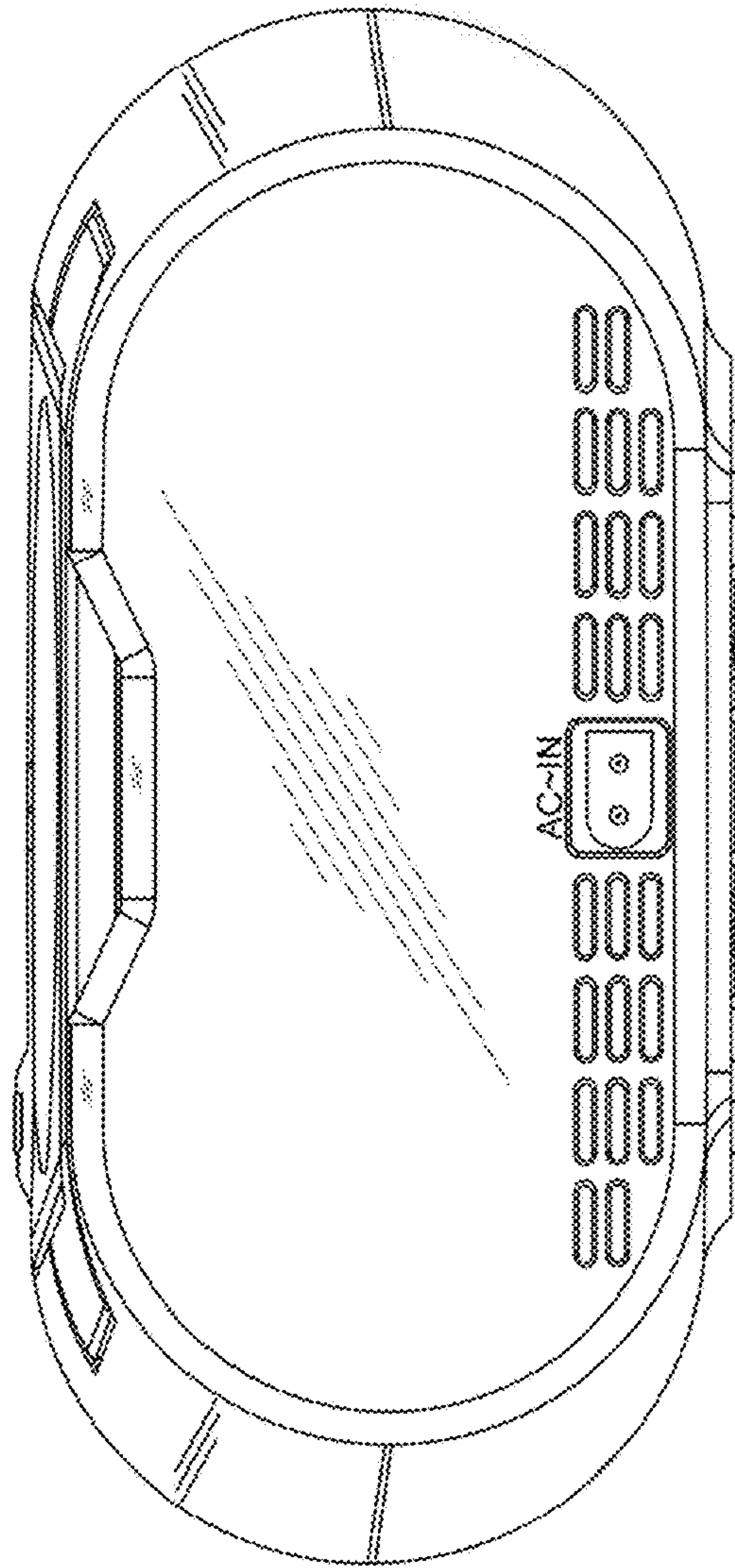


FIG. 7



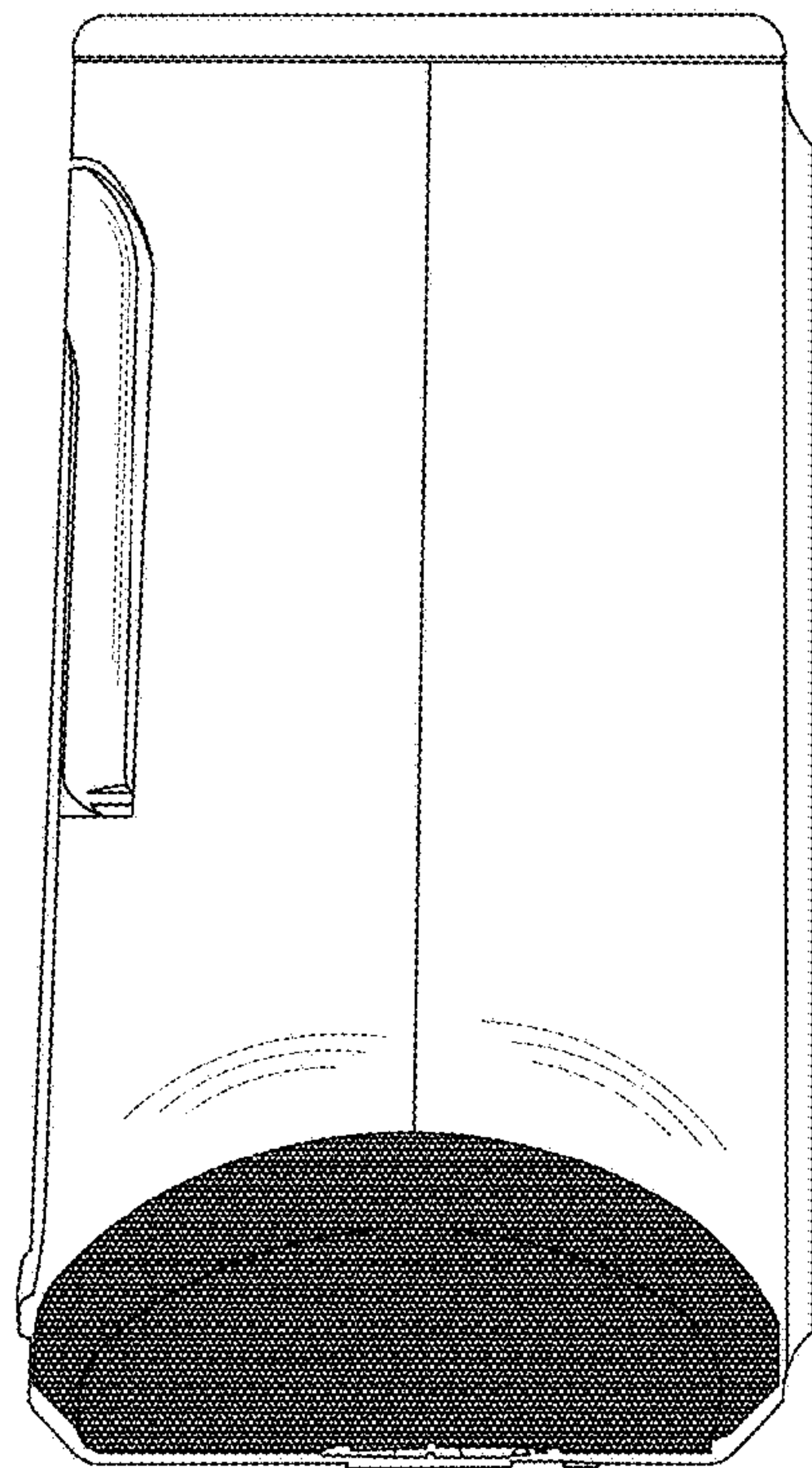


FIG. 8

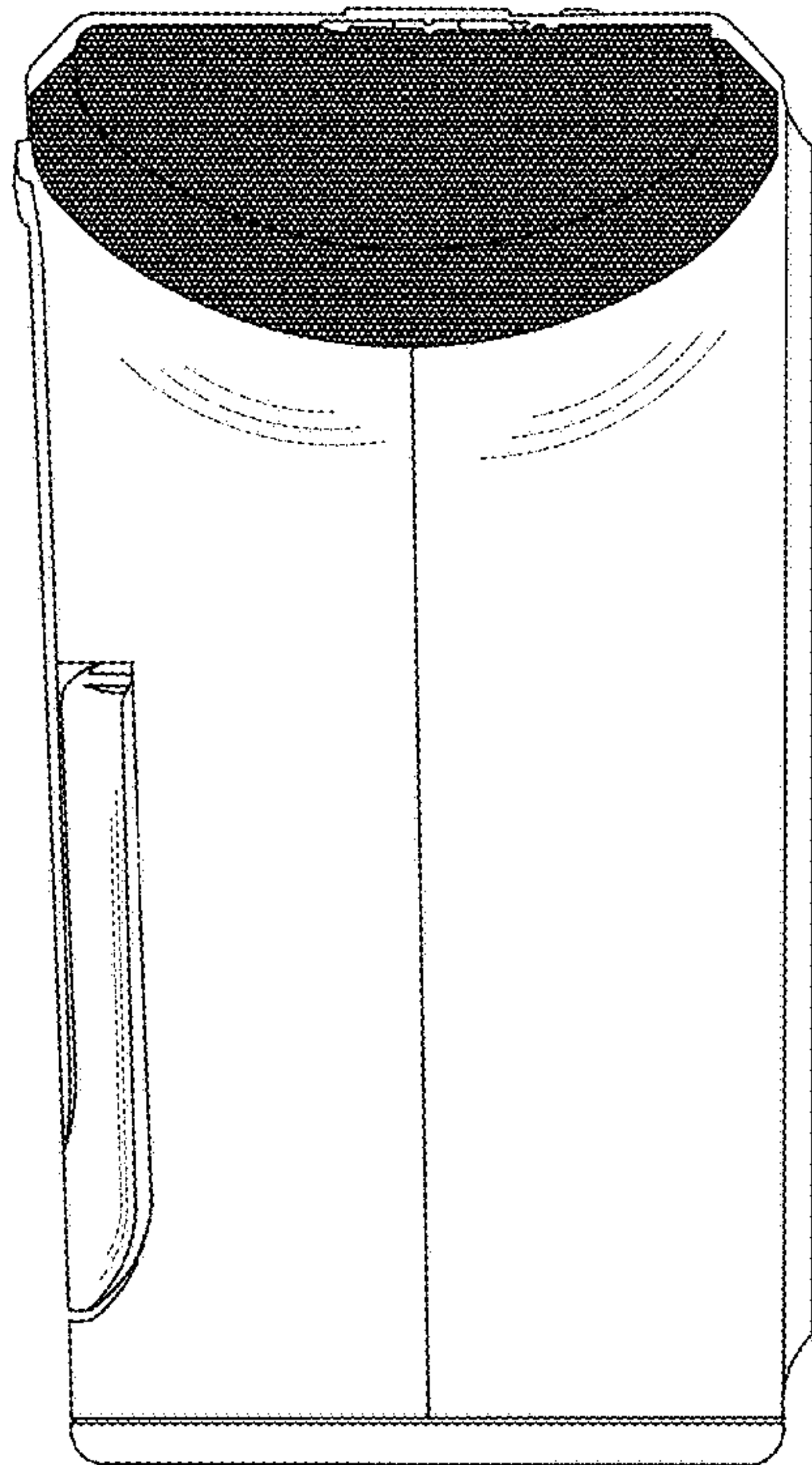


FIG. 9