



US00D853346S

(12) **United States Design Patent**
Jang

(10) **Patent No.:** **US D853,346 S**
(45) **Date of Patent:** **** Jul. 9, 2019**

(54) **ADD-ON MODULE FOR A TELEPHONE**

(71) Applicant: **Samsung Electronics Co., Ltd.,**
Suwon-si (KR)

(72) Inventor: **Moonjung Jang,** Gunpo-si (KR)

(73) Assignee: **Samsung Electronics Co., Ltd.,**
Suwon-si (KR)

(**) Term: **15 Years**

(21) Appl. No.: **29/624,022**

(22) Filed: **Oct. 30, 2017**

(30) **Foreign Application Priority Data**

Aug. 16, 2017 (KR) 30-2017-0037964

(51) **LOC (11) Cl.** **14-03**

(52) **U.S. Cl.**
USPC **D14/140.8**

(58) **Field of Classification Search**

USPC ... D14/140, 140.1, 140.7, 140.8, 141.2, 142,
D14/144, 147, 148, 149, 150, 151, 158,
D14/159, 188, 217, 240, 243, 247, 248,
D14/251, 299, 329, 462, 467, 471, 130,
D14/338, 140.9, 140.11, 244, 245;
D21/517; D24/165; D13/164

CPC H04M 1/00; H04M 1/003; H04M 1/02;
H04M 1/0289; H04M 1/0297; H04M
1/0214; H04M 1/03; H04M 1/23; H04M
1/253; H04M 1/2535; H04M 1/08; H04M
7/006; H04M 9/002; H04M 9/003; H04M
9/005; H04M 9/006; H04M 9/007

See application file for complete search history.

(56) **References Cited**

U.S. PATENT DOCUMENTS

D289,638 S * 5/1987 Kasprzycki D14/245
D306,027 S * 2/1990 Gagnon D14/140.9

D312,461 S * 11/1990 Ando D14/140.8
D313,602 S * 1/1991 Weber D14/140.11
D317,920 S * 7/1991 Fuqua D14/140.8
D318,276 S * 7/1991 Fuqua D14/151
D318,660 S * 7/1991 Weber D14/140.11
D326,649 S * 6/1992 Joffe D14/142
D340,057 S * 10/1993 Wetzel D14/140.9
D374,674 S * 10/1996 Elkins D14/140.9
D387,063 S * 12/1997 Hillenmayer D14/140.9
D413,332 S * 8/1999 Delhaes D14/140.8

(Continued)

OTHER PUBLICATIONS

“Professional Desktop IP Telephone Sets.” [2018] www.cloudtelephone.net Jan. 18, 2018 <<http://www.cloudtelephone.net/voip-telephone-set-line-up.html>>.

(Continued)

Primary Examiner — Marie D. Fast Horse

(74) *Attorney, Agent, or Firm* — NSIP Law

(57) **CLAIM**

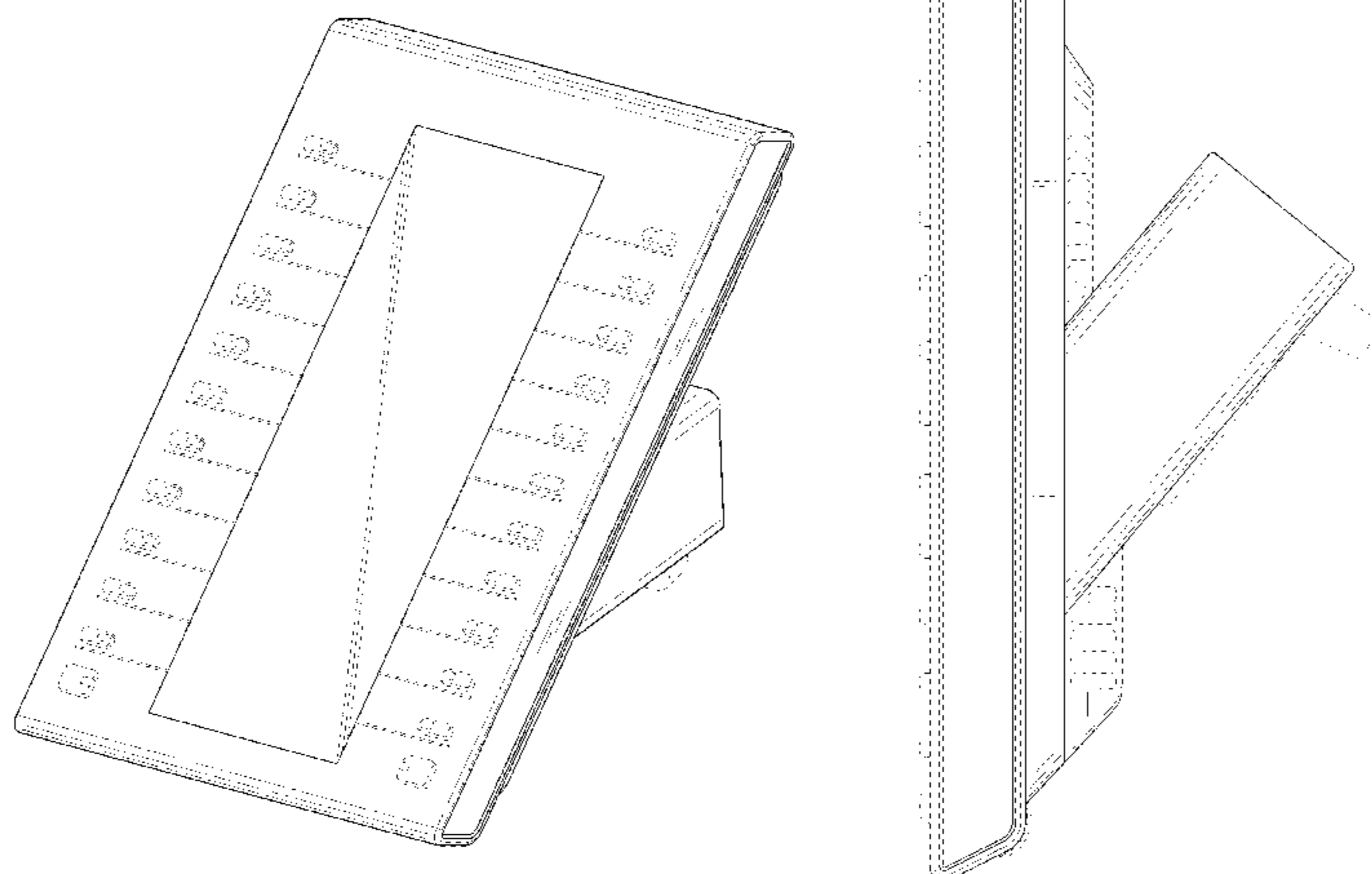
I claim the ornamental design for an add-on module for a telephone, as shown and described.

DESCRIPTION

FIG. 1 is a front perspective view of an add-on module for a telephone showing my new design;
FIG. 2 is a front elevational view thereof;
FIG. 3 is a rear elevational view thereof;
FIG. 4 is a left-side elevational view thereof;
FIG. 5 is a right-side elevational view thereof;
FIG. 6 is a top plan view thereof;
FIG. 7 is a bottom plan view thereof; and,
FIG. 8 is another perspective view thereof, showing our new design in an alternate position in which the stand for the add-on module is unfolded.

The broken lines in the figures depict environmental subject matter and form no part of the claimed design.

1 Claim, 7 Drawing Sheets



(56)

References Cited

U.S. PATENT DOCUMENTS

D417,222 S * 11/1999 Johnson D14/140.9
D428,000 S * 7/2000 Takayama D14/140.9
D472,236 S * 3/2003 Schramm D14/144
D482,679 S * 11/2003 Hillenmayer D14/140.9
D499,393 S * 12/2004 Evans D14/151
D558,181 S * 12/2007 Takada D14/142
D573,974 S 7/2008 Liu
D583,353 S 12/2008 Brown et al.
7,500,880 B1 * 3/2009 Vaziri H01R 31/005
439/638
D591,275 S * 4/2009 Takada D14/240
D591,276 S * 4/2009 Takada D14/240
D634,295 S * 3/2011 Turnbull D14/140.8
D723,501 S * 3/2015 Jeon D14/140.8
9,509,817 B1 * 11/2016 Peters H04M 1/0295
D784,951 S * 4/2017 Kwak D14/151
D789,319 S * 6/2017 Schwarz D14/140.9
D789,320 S * 6/2017 Schwarz D14/140.9
D797,698 S * 9/2017 Kwak D14/151

OTHER PUBLICATIONS

“Grandstream GXP2200EXT Expansion Module,” [2018] www.
iphone-warehouse.com Jan. 18, 2018 <<http://www.iphone-warehouse.com/grandstream-gxp2200ext-expansion-module-p/gxp2200ext.htm>>.

“Panasonic SIP Desk Phone Expansion Module KX-HDV20,”
[2018] www.siptelephones.com Jan. 18, 2018 <<https://www.siptelephones.com.au/shop/sip-desk-phones/panasonic-kx-hdv20-ip-dss-console/>>.

* cited by examiner

FIG. 1

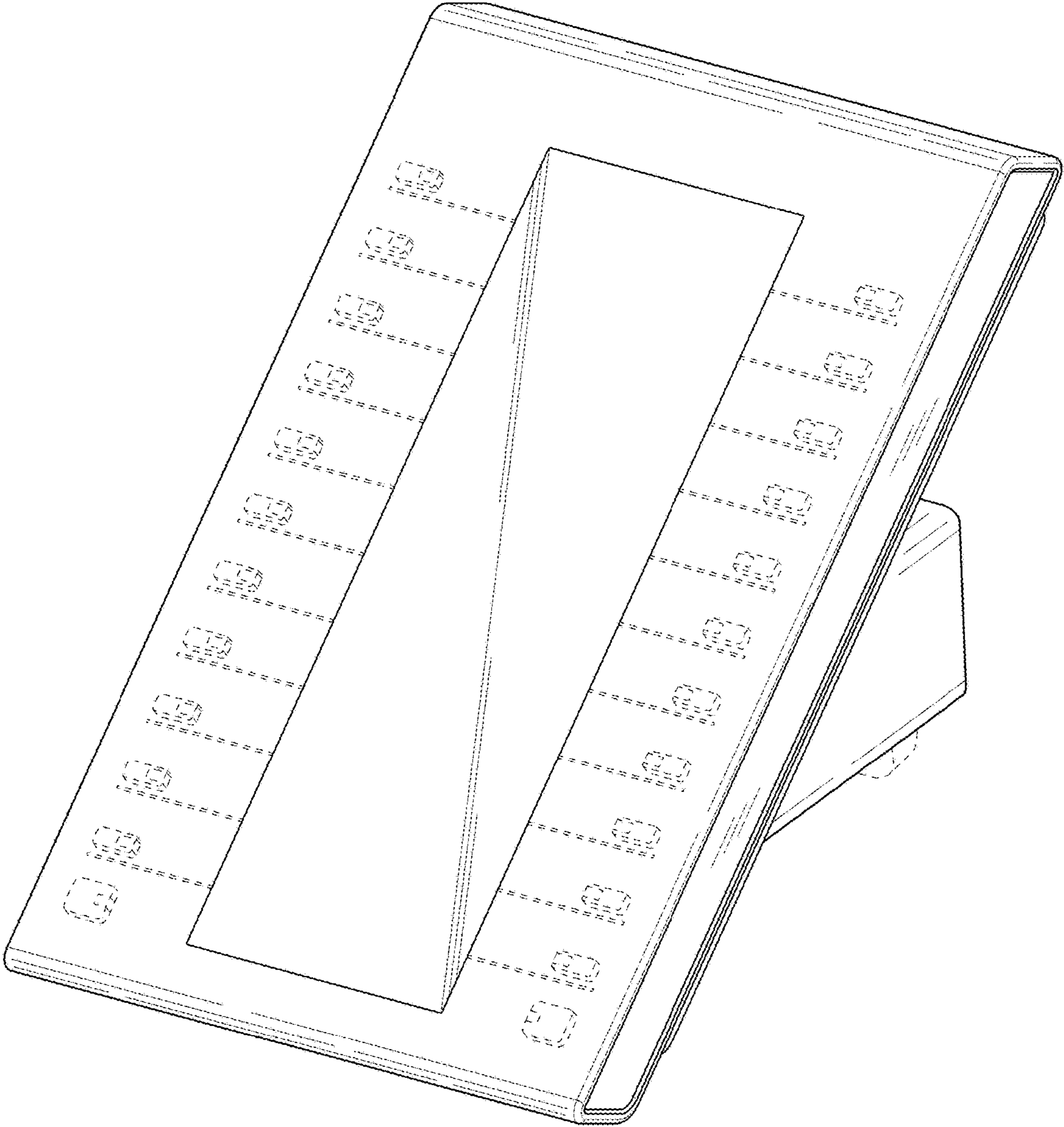


FIG.2

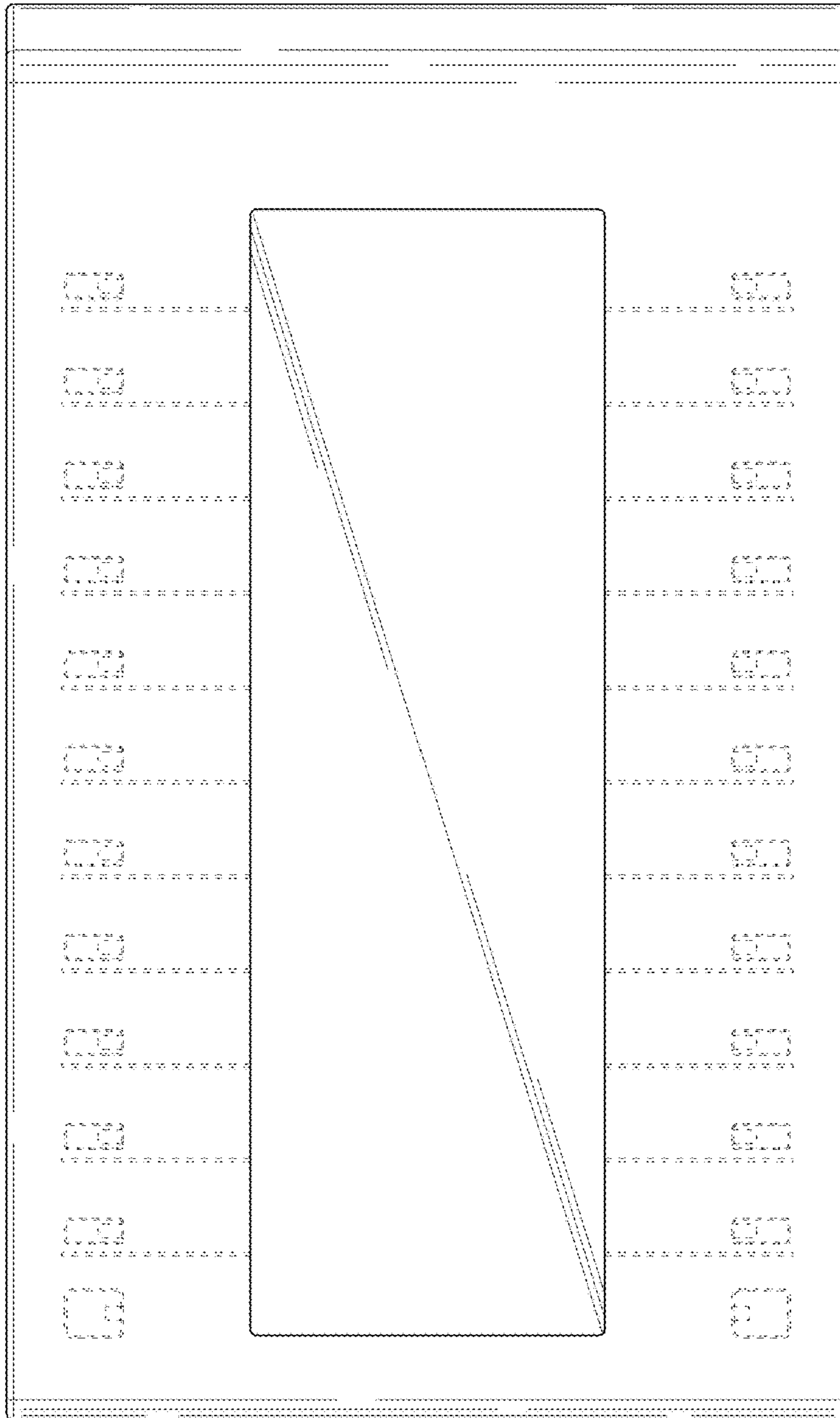


FIG.3

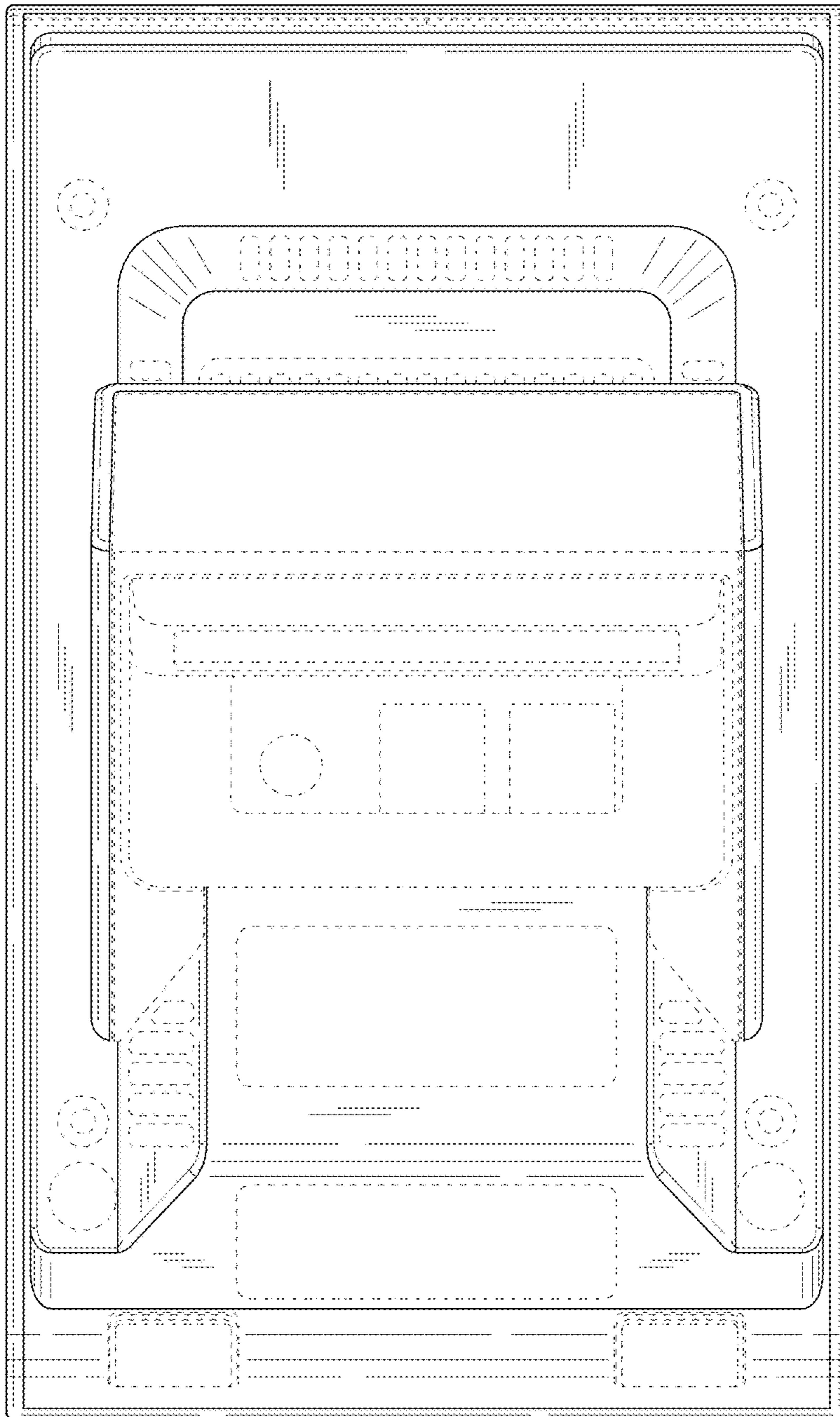


FIG.4

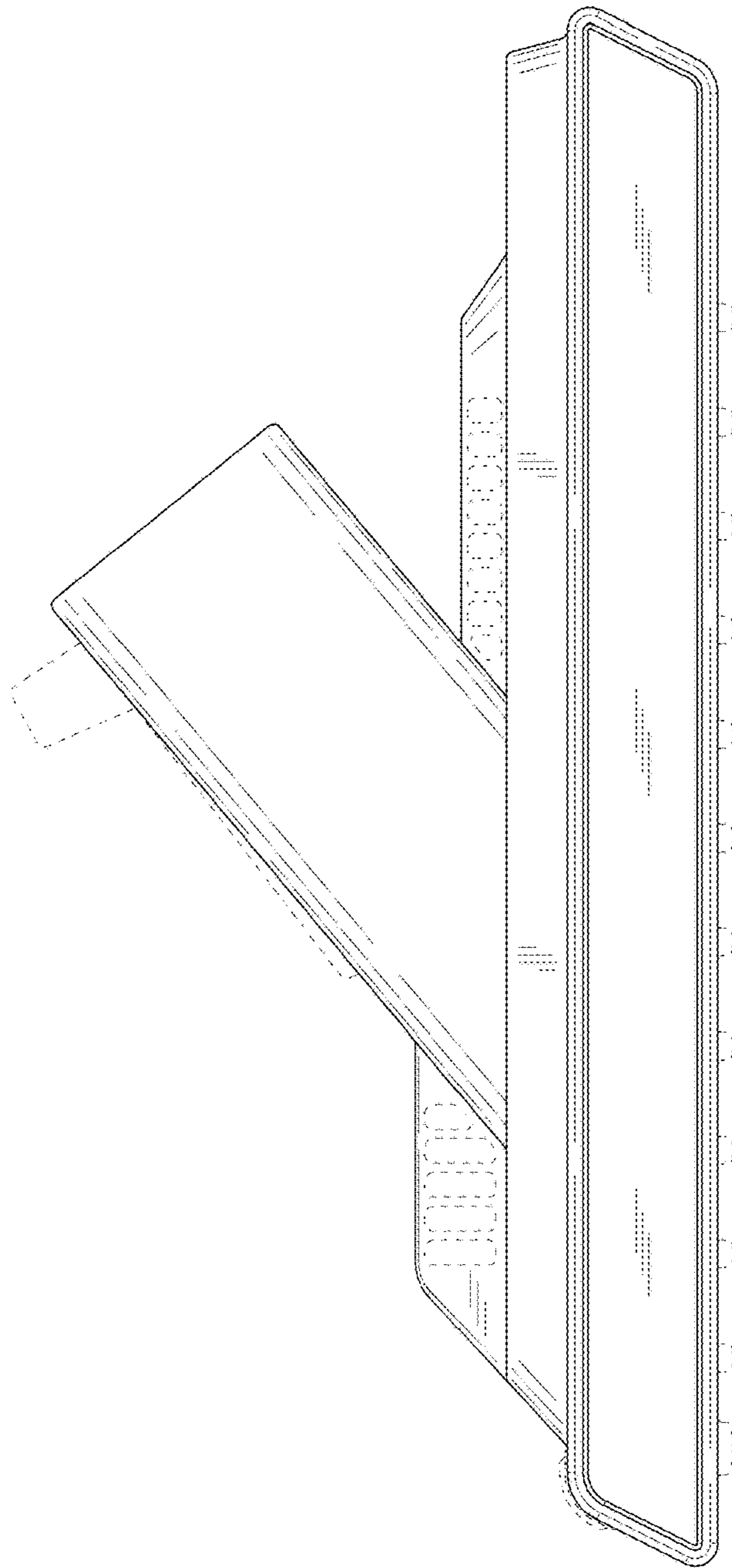


FIG.5

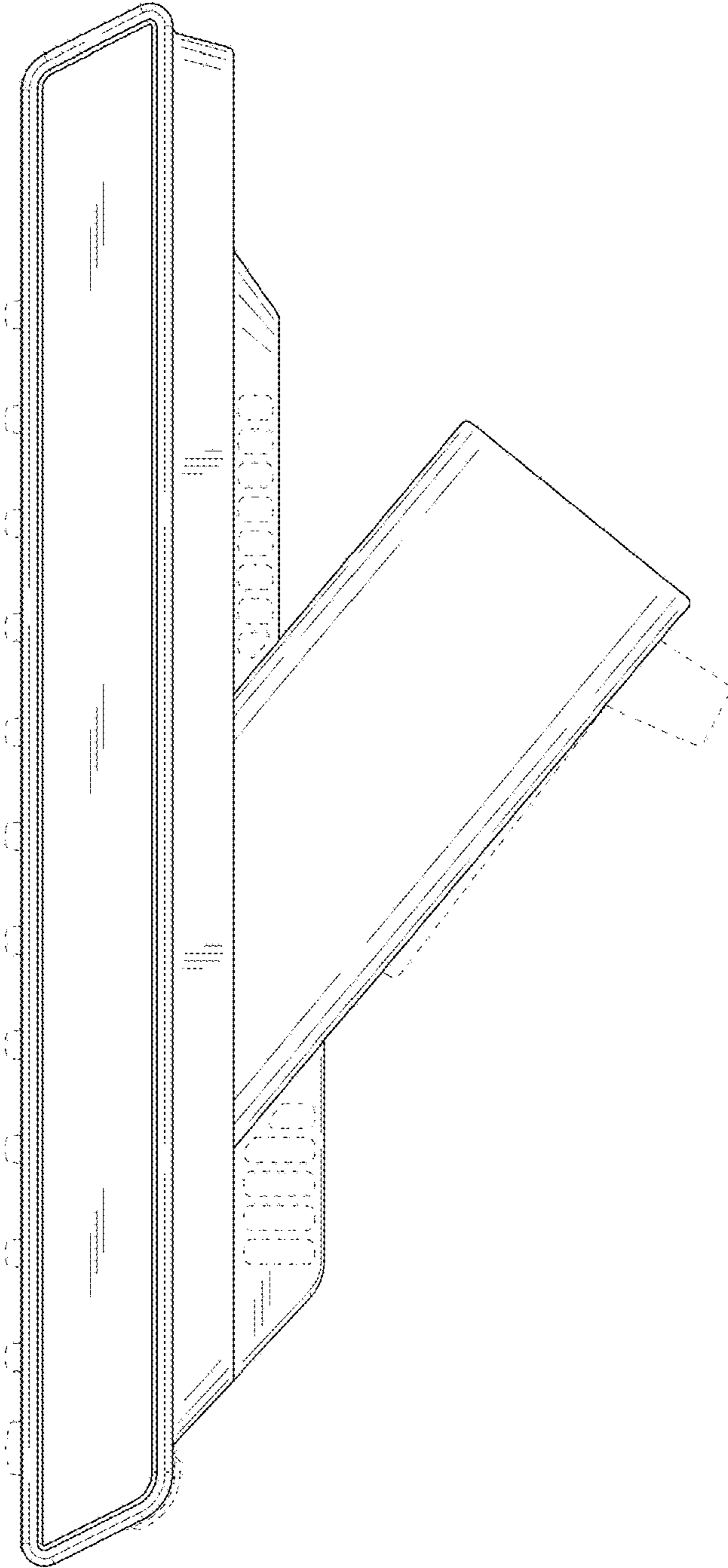


FIG.6

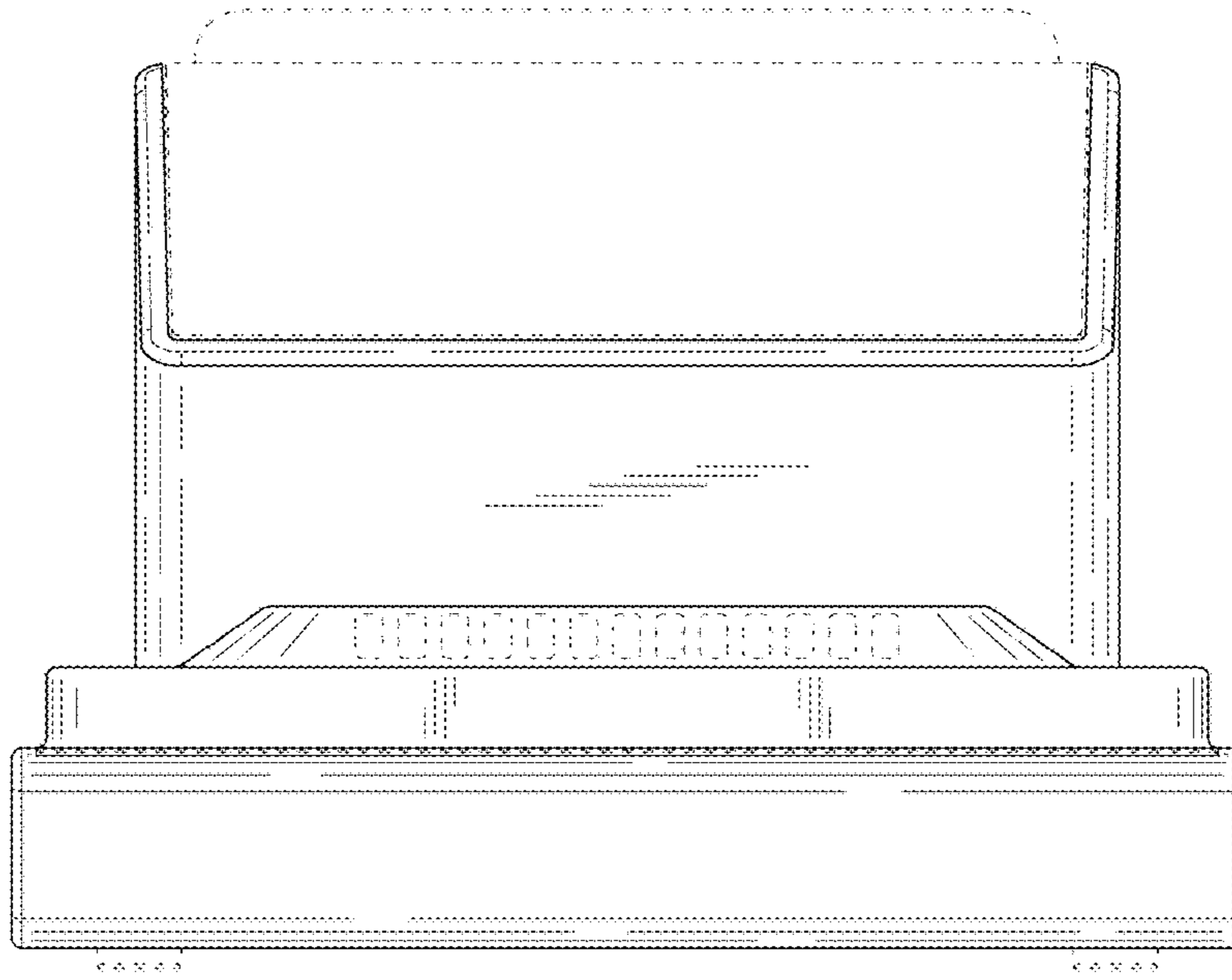


FIG.7

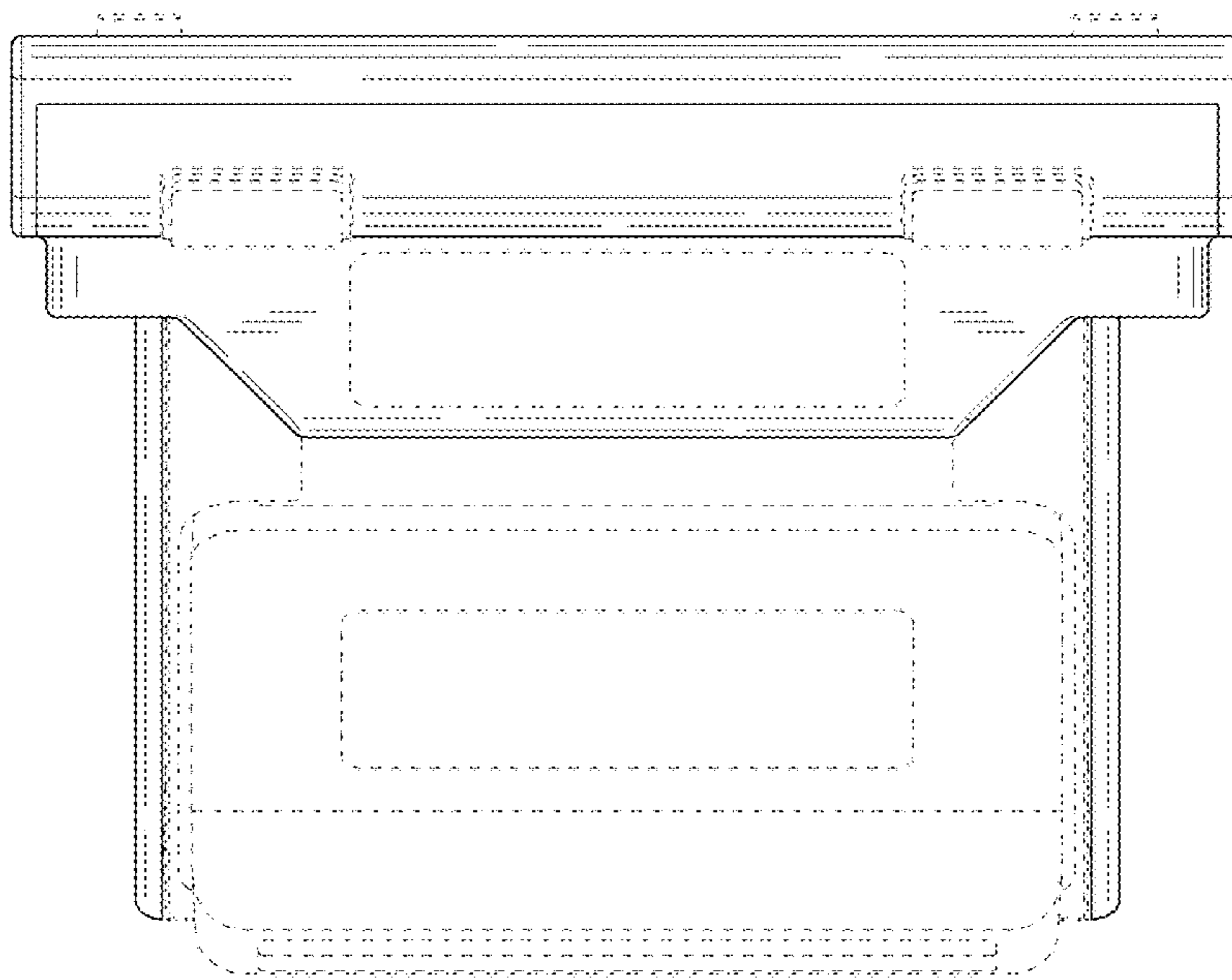


FIG.8

