



US00D853345S

(12) **United States Design Patent**
Nishida

(10) **Patent No.:** **US D853,345 S**
(45) **Date of Patent:** **** Jul. 9, 2019**

(54) **PORTABLE COMMUNICATION DEVICE**

FOREIGN PATENT DOCUMENTS

- (71) Applicant: **ICOM INCORPORATED**, Osaka (JP)
- (72) Inventor: **Tetsuro Nishida**, Osaka (JP)
- (73) Assignee: **ICOM INCORPORATED**, Osaka-Shi, Osaka (JP)

JP	D1535839	10/2015
JP	D1573411	* 4/2017
JP	D1583449	* 8/2017

- (**) Term: **15 Years**
- (21) Appl. No.: **29/607,012**
- (22) Filed: **Jun. 9, 2017**

OTHER PUBLICATIONS

IC-A25N_IC-A25C Brochure, 2017, [online], [site visited Mar. 11, 2019]. Retrieved from url:file:///C:/Users/tbell2/Downloads/A25N-A25C-Product-Brochure-10-26-2018.pdf (Year: 2017).*

(Continued)

Primary Examiner — Cathron C Brooks

Assistant Examiner — Tracey J Bell

(74) *Attorney, Agent, or Firm* — Birch, Stewart, Kolasch & Birch, LLP

(30) **Foreign Application Priority Data**

Jan. 17, 2017 (JP) D2017-000618

(51) **LOC (11) Cl.** **14-03**

(52) **U.S. Cl.**
USPC **D14/137**

(58) **Field of Classification Search**
USPC D14/138, 138 AA, 138 AB, 138 R, 147, D14/148, 203.7, 250, 496, 191, 159, 218, D14/299, 248, 241, 343, 203.1, 203.3; D13/107; D10/106.1, 65, 104.1, 70; D24/183; D21/106.1, 65, 104.1, 70
CPC H04B 1/3827; H04B 1/383; H04B 2001/3861; H04M 1/03; H04M 1/35; H04M 1/026; H04M 1/02; H04M 1/0279; H04M 1/0266
See application file for complete search history.

(57) **CLAIM**

The ornamental design for a portable communication device, as shown and described.

DESCRIPTION

FIG. 1 is a perspective view of the portable communication device;
FIG. 2 is a front view of the portable communication device;
FIG. 3 is a rear view of the portable communication device;
FIG. 4 is a left side view of the portable communication device;
FIG. 5 is a right side view of the portable communication device;
FIG. 6 is a top view of the portable communication device;
and,
FIG. 7 is a bottom view of the portable communication device.
The broken lines depict portions of the portable communication device in which the design is embodied that are not considered part of the claimed design.

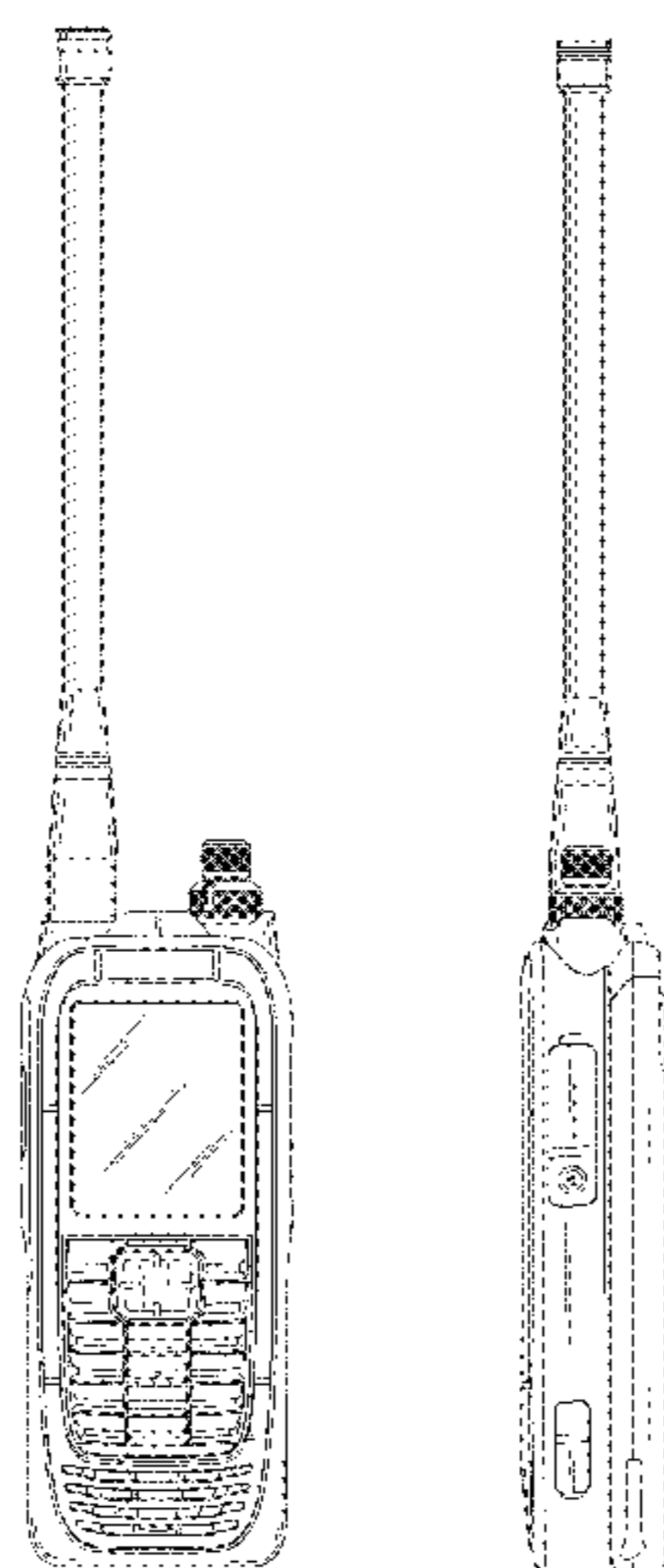
(56) **References Cited**

U.S. PATENT DOCUMENTS

D584,712 S	*	1/2009	Okkonen	D14/138 AA
D589,919 S	*	4/2009	Bower	D14/138 AA
D608,747 S	*	1/2010	Nakagawa	D14/137
D778,251 S	*	2/2017	Nishizawa	D14/137
D796,467 S	*	9/2017	Oikawa	D14/137

(Continued)

1 Claim, 4 Drawing Sheets



(56)

References Cited

U.S. PATENT DOCUMENTS

D797,069 S * 9/2017 Nishizawa D14/137
D810,040 S * 2/2018 Nakagawa D14/137
D816,639 S * 5/2018 Abe D14/226
D819,590 S * 6/2018 Nakagawa D14/137

OTHER PUBLICATIONS

Picture of the Portable Communication Device which was exhibited
at the HAM Fair, Aug. 20 and 21, 2016 (Icom Incorporated).

* cited by examiner

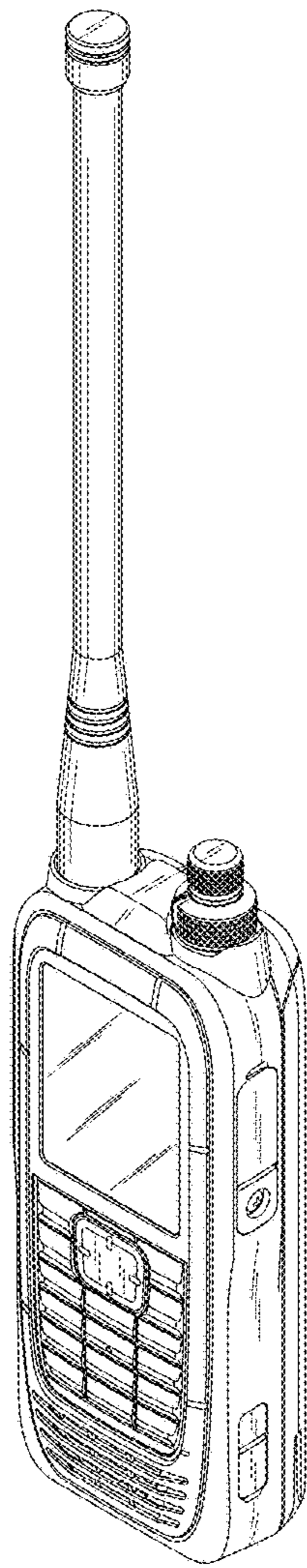


FIG.1

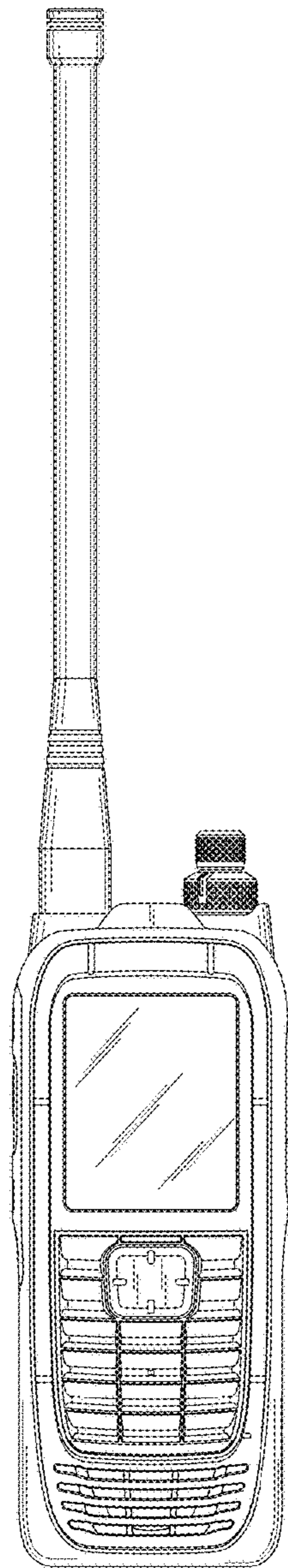


FIG. 2

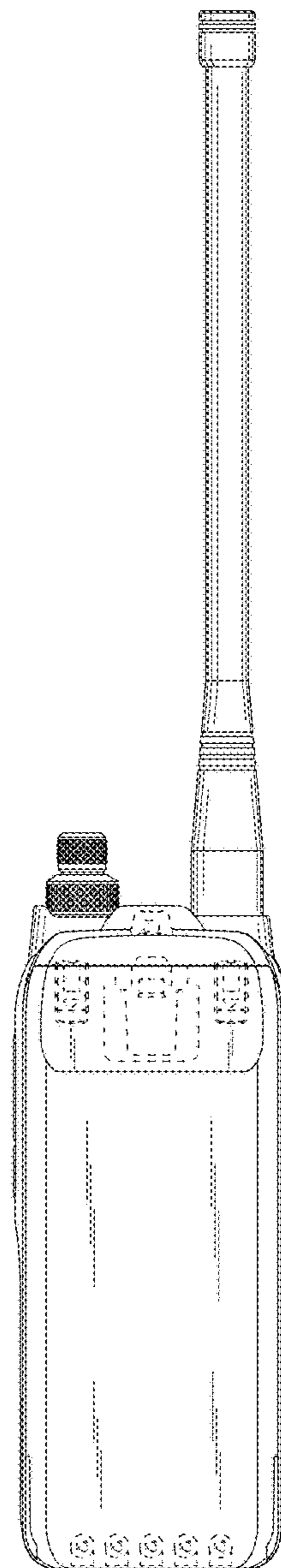


FIG. 3

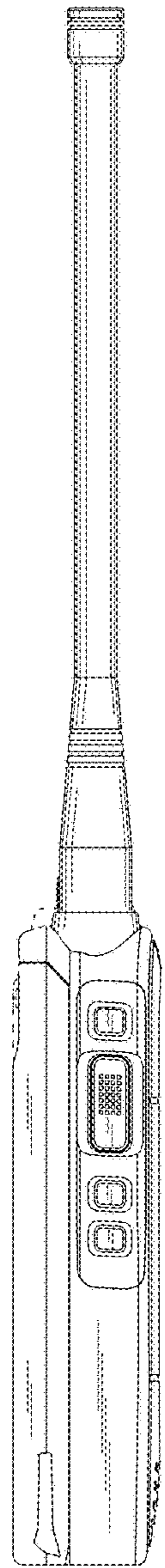


FIG. 4

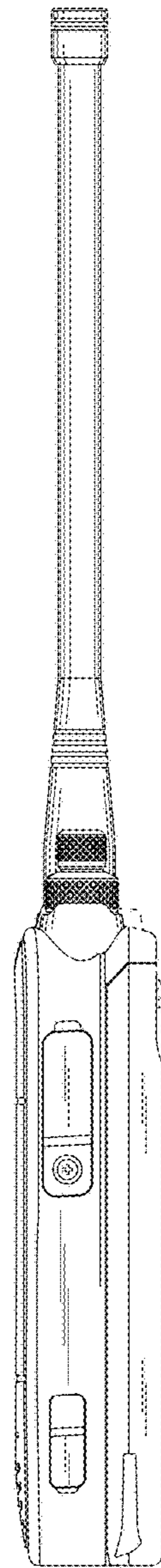


FIG. 5

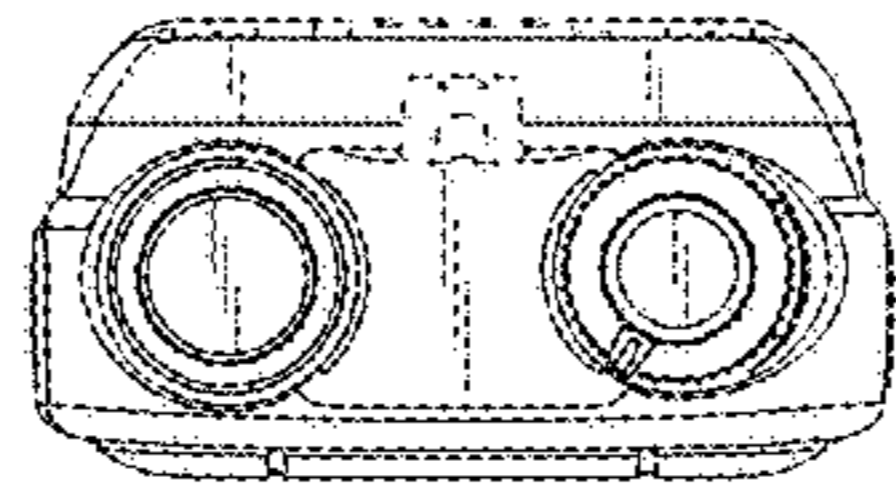


FIG.6

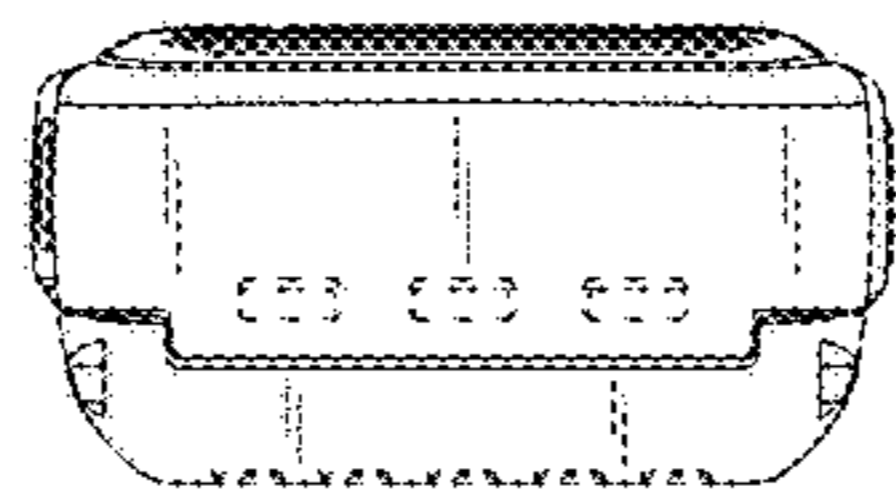


FIG.7