



US00D853343S

(12) **United States Design Patent** (10) **Patent No.:** **US D853,343 S**  
**Nii** (45) **Date of Patent:** **\*\* Jul. 9, 2019**

(54) **SEMICONDUCTOR DEVICE**

(71) Applicant: **ROHM CO., LTD.**, Kyoto-shi, Kyoto (JP)

(72) Inventor: **Akinori Nii**, Kyoto (JP)

(73) Assignee: **ROHM CO., LTD.**, Kyoto (JP)

(\*\*) Term: **15 Years**

(21) Appl. No.: **29/644,404**

(22) Filed: **Apr. 17, 2018**

(30) **Foreign Application Priority Data**

Oct. 19, 2017 (JP) ..... 2017-023166

(51) **LOC (11) Cl.** ..... **13-03**

(52) **U.S. Cl.**  
USPC ..... **D13/182**

(58) **Field of Classification Search**  
USPC ..... D13/182

CPC ..... H01L 21/00; H01L 21/02433; H01L 2224/42; H01L 2224/43; H01L 2021/00; H01L 2021/02; H01L 2021/04; H01L 21/4814; H01L 21/4846; H01L 21/4871; H01L 21/67144; H01L 23/12; H01L 23/13; H01L 23/14; H01L 23/147; H01L 2924/171; H01L 2924/1711; H01L 2924/1715; H01L 2924/17151; H01L 2924/181; H01L 2924/1811; H01L 2924/1815; H01L 2924/19042; H01L 2924/1905; H01L 2224/08054; H01L 23/58; H05B 41/14; H02B 6/4201; G02B 6/4256; G02B 6/4257; G02B 6/4261; G02B 6/4262; G02B 6/42; G02B 6/4281; H05K 1/14; H05K 1/141; H05K 1/142; H05K 1/144; H05K 1/18; H05K 1/181; H05K 1/182; H05K 1/026; H05K 1/0228; H05K 1/0245; H05K 1/0236; H05K 1/0263

See application file for complete search history.

(56) **References Cited**

U.S. PATENT DOCUMENTS

3,602,846	A *	8/1971	Hauser .....	H03H 7/34 174/528
3,762,039	A *	10/1973	Douglass .....	B29C 70/72 174/522
D259,560	S *	6/1981	Mochizuki .....	D13/182
D259,782	S *	7/1981	Mochizuki .....	D13/182
D259,783	S *	7/1981	Mochizuki .....	D13/182
D260,091	S *	8/1981	Mochizuki .....	D13/182
4,663,833	A *	5/1987	Tanaka .....	G11C 16/18 257/667
D345,731	S *	4/1994	Owens .....	D13/182
D357,901	S *	5/1995	Horman .....	D13/110
D358,806	S *	5/1995	Siegel .....	D13/182
D359,028	S *	6/1995	Siegel .....	D13/182
5,557,504	A *	9/1996	Siegel .....	H01L 23/58 174/250

(Continued)

*Primary Examiner* — Elizabeth J Oswecki

(74) *Attorney, Agent, or Firm* — Hamre, Schumann, Mueller & Larson, P.C.

(57) **CLAIM**

The ornamental design for a semiconductor device, as shown and described.

**DESCRIPTION**

FIG. 1 is a perspective view of a semiconductor device showing my new design;

FIG. 2 is a front view thereof, the rear view being a mirror image of FIG. 2;

FIG. 3 is a top plan view thereof;

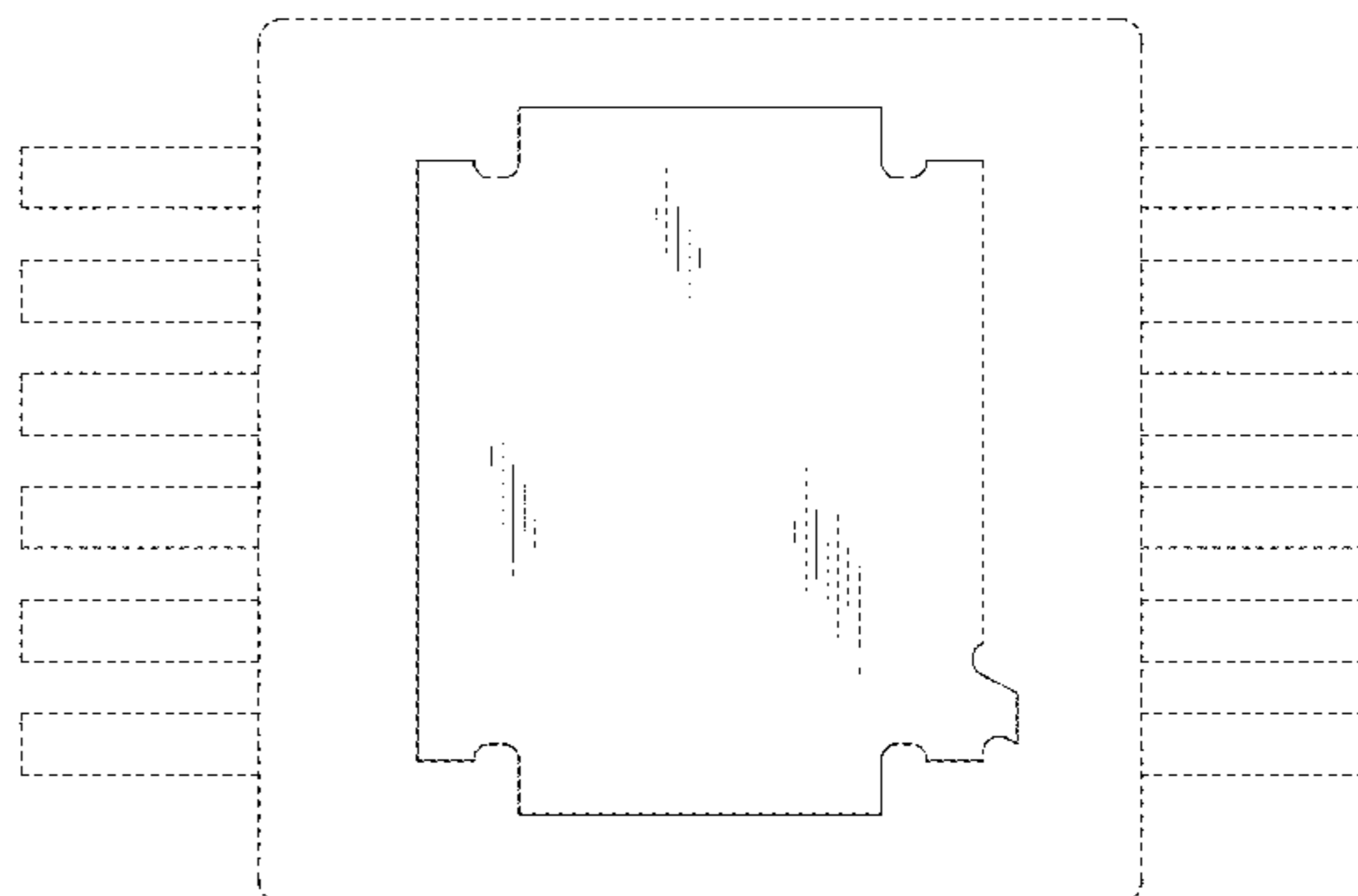
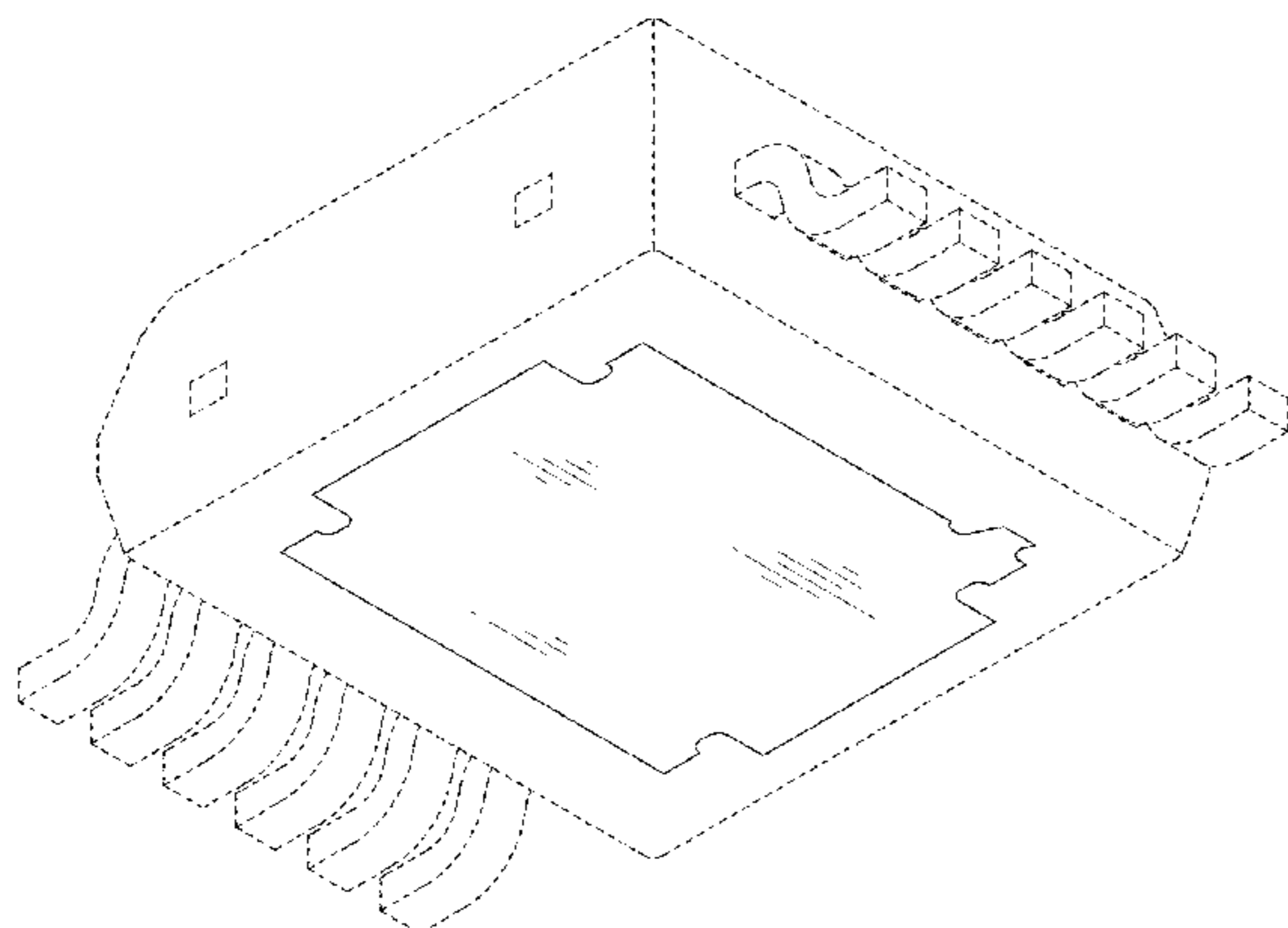
FIG. 4 is a bottom plan view thereof;

FIG. 5 is a right side view thereof; and,

FIG. 6 is a left side view thereof.

The broken lines illustrate portions of the semiconductor device and form no part of the claimed design.

**1 Claim, 6 Drawing Sheets**



(56)

References Cited

U.S. PATENT DOCUMENTS

D394,244 S \* 5/1998 Majumdar ..... D13/182  
 D396,211 S \* 7/1998 Enomoto ..... D13/182  
 D396,212 S \* 7/1998 Enomoto ..... D13/182  
 D396,213 S \* 7/1998 Enomoto ..... D13/182  
 D396,847 S \* 8/1998 Nakayama ..... D13/182  
 5,798,570 A \* 8/1998 Watanabe ..... H01L 21/565  
 257/705  
 D421,421 S \* 3/2000 Kashio ..... D13/147  
 D427,977 S \* 7/2000 Takizawa ..... D13/182  
 6,093,957 A \* 7/2000 Kwon ..... H01L 23/49527  
 174/529  
 D432,097 S \* 10/2000 Song ..... D13/182  
 6,238,953 B1 \* 5/2001 Tanaka ..... H01L 23/3107  
 257/669  
 D448,739 S \* 10/2001 Iwasaki ..... D13/182  
 D466,485 S \* 12/2002 Maehara ..... D13/182  
 D466,873 S \* 12/2002 Kasem ..... D13/182  
 D472,528 S \* 4/2003 Kasem ..... D13/182  
 D473,199 S \* 4/2003 Sako ..... D13/182  
 6,555,899 B1 \* 4/2003 Chung ..... H01L 23/3107  
 257/666

D476,962 S \* 7/2003 Yoshihira ..... D13/182  
 D480,371 S \* 10/2003 Sako ..... D13/182  
 D489,338 S \* 5/2004 Seddon ..... D13/182  
 D504,874 S \* 5/2005 Celaya ..... D13/182  
 D510,728 S \* 10/2005 Celaya ..... D13/182  
 6,992,386 B2 \* 1/2006 Hata ..... H01L 23/49562  
 257/735  
 D539,761 S \* 4/2007 Takahashi ..... D13/182  
 D548,202 S \* 8/2007 Takahashi ..... D13/182  
 D548,203 S \* 8/2007 Takahashi ..... D13/182  
 D717,253 S \* 11/2014 Jo ..... D13/182  
 D717,254 S \* 11/2014 Jo ..... D13/182  
 D717,255 S \* 11/2014 Lim ..... D13/182  
 D717,256 S \* 11/2014 Sohn ..... D13/182  
 D719,113 S \* 12/2014 Sohn ..... D13/182  
 D721,047 S \* 1/2015 Vinciarelli ..... D13/182  
 D752,000 S \* 3/2016 Vinciarelli ..... D13/182  
 D770,994 S \* 11/2016 Hasegawa ..... D13/182  
 D783,550 S \* 4/2017 Hasegawa ..... D13/182  
 D824,866 S \* 8/2018 Matsubara ..... D13/182  
 D832,227 S \* 10/2018 Chikamatsu ..... D13/182  
 D832,228 S \* 10/2018 Chikamatsu ..... D13/182

\* cited by examiner

FIG.1

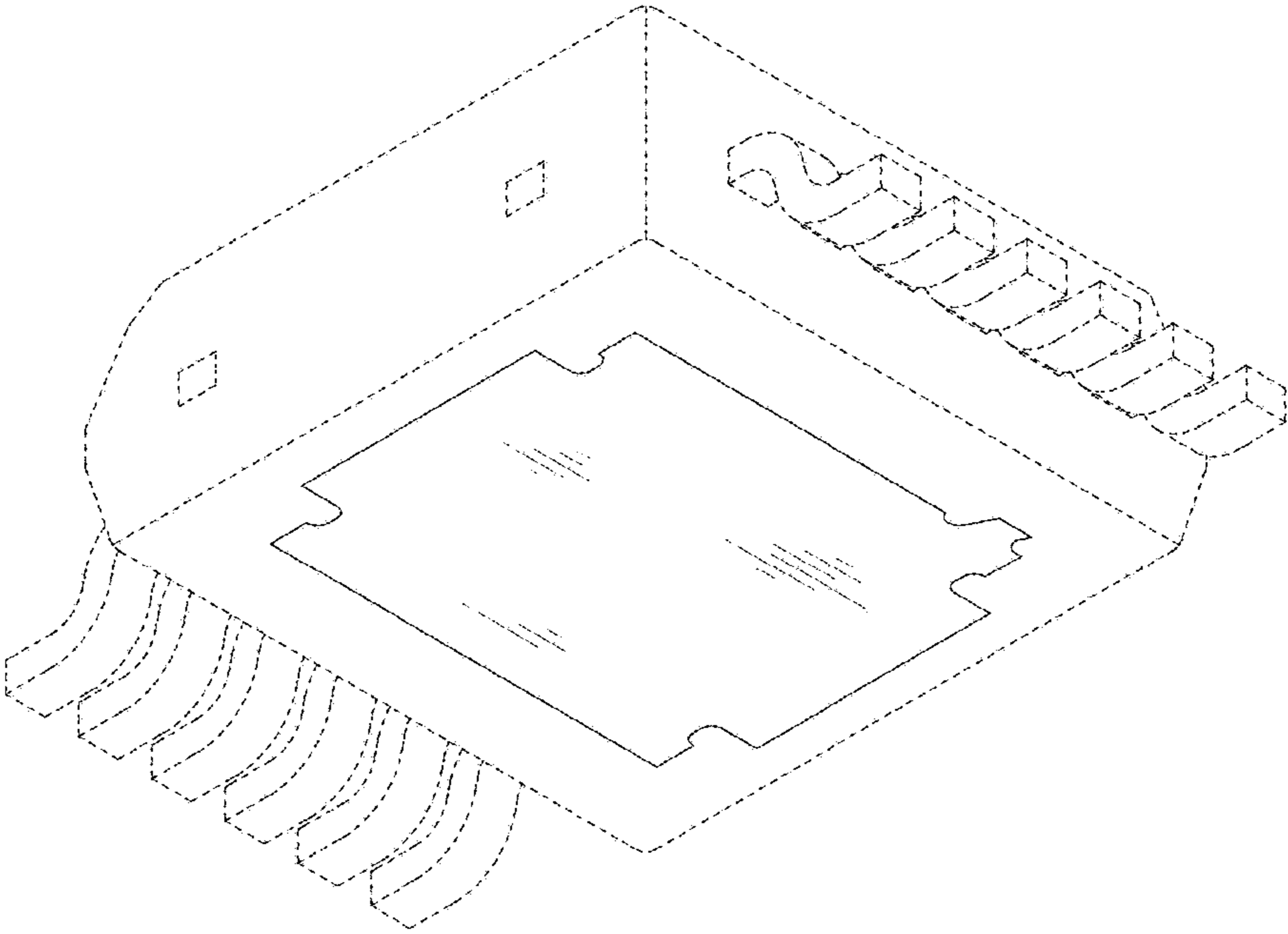


FIG.2



FIG.3

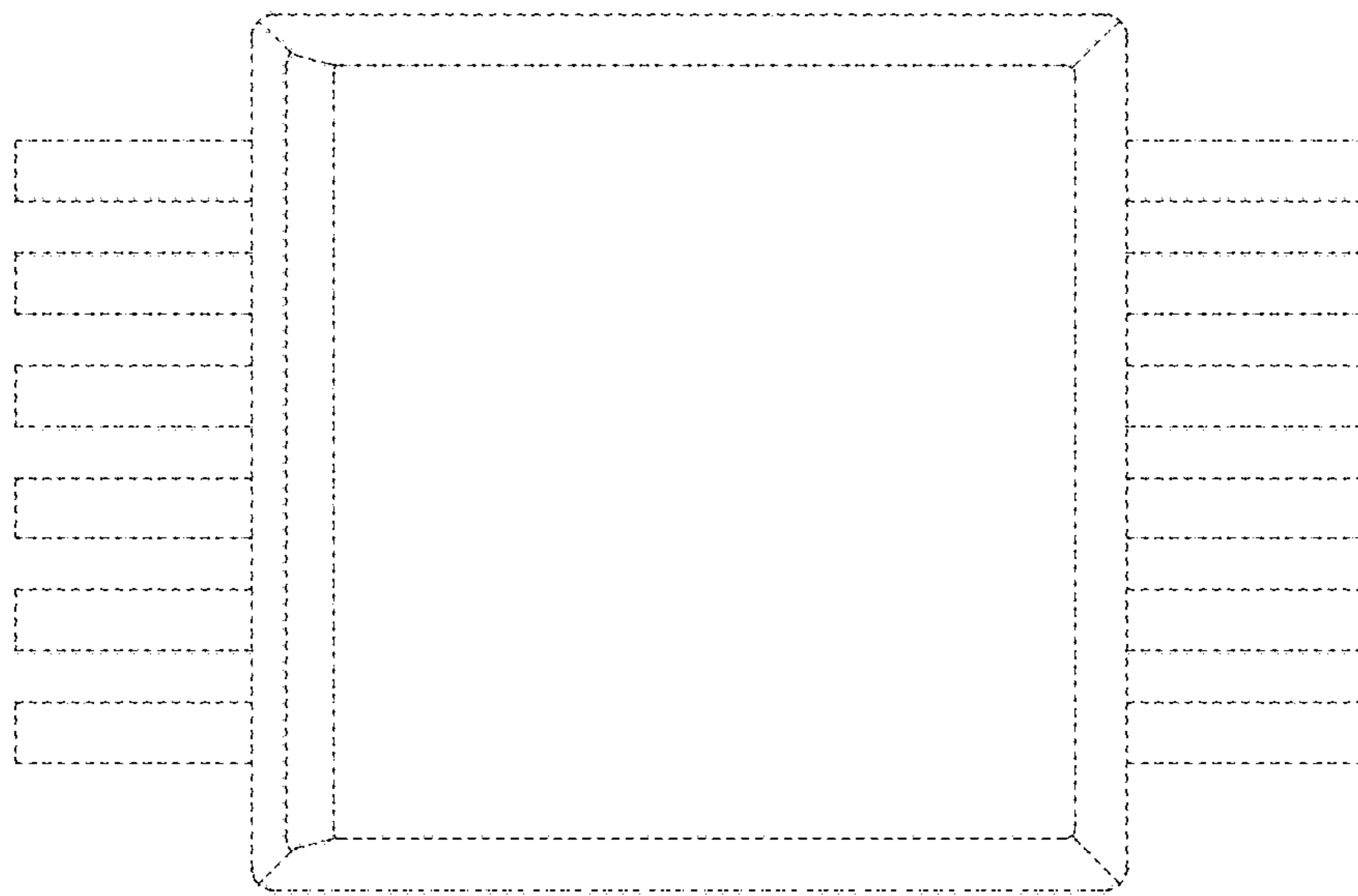


FIG.4

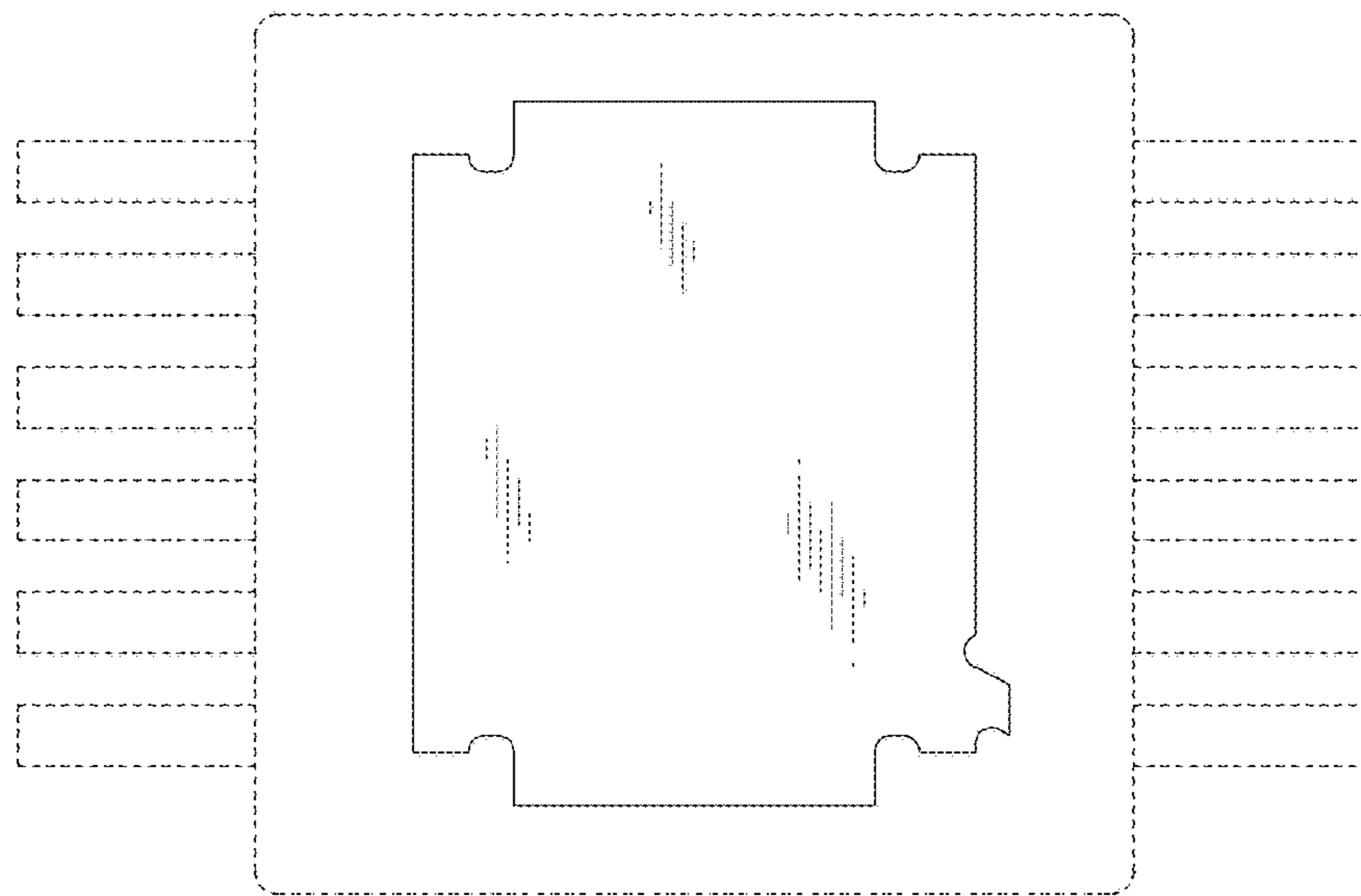


FIG.5

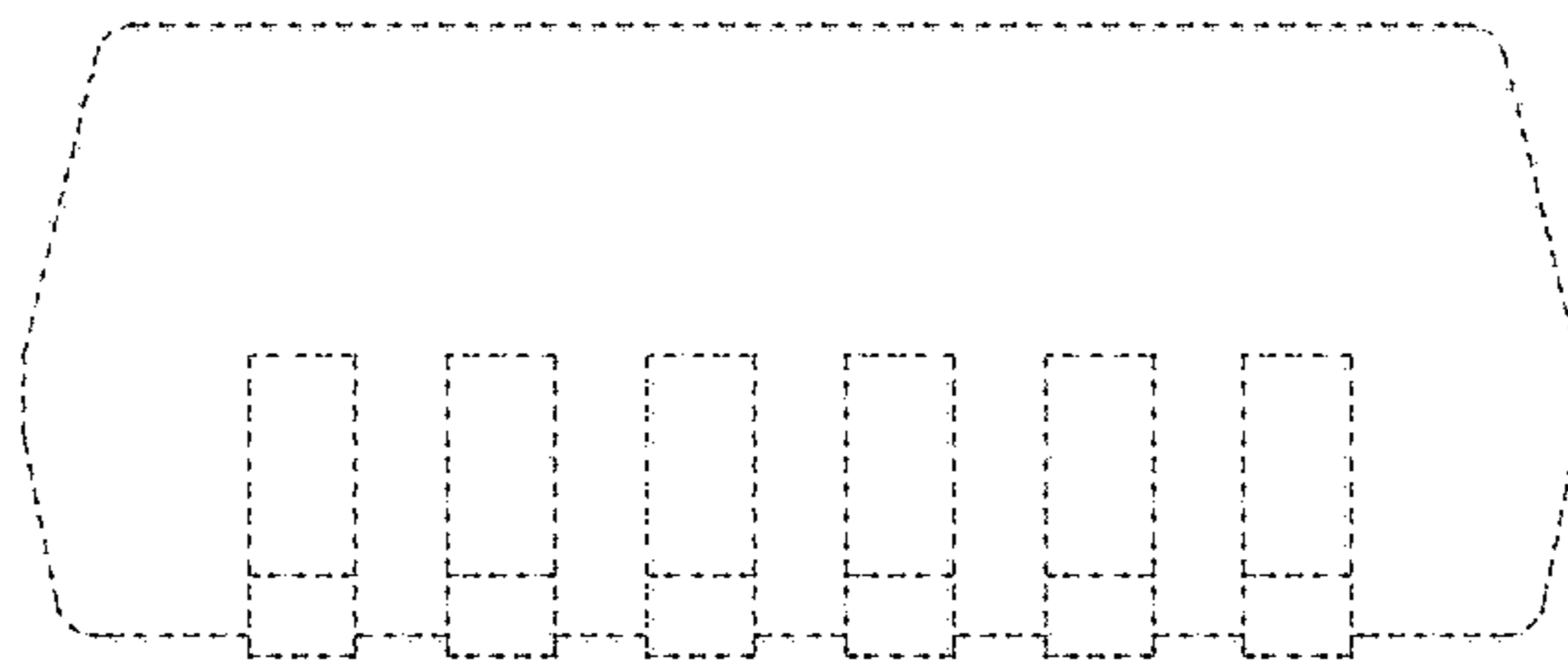


FIG.6

