



US00D853341S

(12) **United States Design Patent** (10) **Patent No.:** **US D853,341 S**  
**Kurz** (45) **Date of Patent:** **\*\* Jul. 9, 2019**

(54) **SEMICONDUCTOR MODULE** 7,397,668 B2 \* 7/2008 Sekine ..... H05K 7/1465  
361/728  
(71) Applicant: **Infineon Technologies AG**, Neubiberg D621,351 S 8/2010 Huang et al.  
(DE) D695,229 S \* 12/2013 Ran ..... D13/158  
D737,221 S \* 8/2015 Andersson ..... D13/158  
(72) Inventor: **Dorian Kurz**, Solingen (DE) 9,099,256 B2 \* 8/2015 Gole  
D753,608 S \* 4/2016 Chen ..... D13/162.1  
D754,614 S \* 4/2016 Chen ..... D13/162.1  
(73) Assignee: **Infineon Technologies AG**, Neubiberg D763,201 S \* 8/2016 Burkell ..... D13/162  
(DE) D834,544 S \* 11/2018 Kurz ..... D13/182  
D834,545 S \* 11/2018 Kurz ..... D13/182  
(\*\*) Term: **15 Years** 2010/0307895 A1 \* 12/2010 Park ..... H01H 9/02  
200/237  
(21) Appl. No.: **29/541,128** 2012/0109343 A1 \* 5/2012 Shah ..... G05B 19/409  
700/83

\* cited by examiner

*Primary Examiner* — Angela J Lee

*Assistant Examiner* — Shawn T Gingrich

(74) *Attorney, Agent, or Firm* — Murphy, Bilak & Homiller, PLLC

(30) **Foreign Application Priority Data**

Apr. 1, 2015 (EM) ..... 002673699

(51) **LOC (11) Cl.** ..... **13-03**

(52) **U.S. Cl.**  
USPC ..... **D13/182; D13/158**

(58) **Field of Classification Search**  
USPC ..... D13/101, 110, 118, 123, 158–162, 173,  
D13/182, 184, 199

CPC . G05B 15/00; H01H 9/00; H01H 9/02; H01H  
9/22; H01H 13/00; H01L 23/48; H01L  
23/49; H01L 23/52; H01L 25/07; H01R  
13/00; H01R 13/60; H02B 1/00

See application file for complete search history.

(56) **References Cited**

**U.S. PATENT DOCUMENTS**

D358,753 S \* 5/1995 Yoshida ..... D13/123  
6,731,507 B2 \* 5/2004 Varghese ..... G06F 1/18  
312/223.2  
6,802,737 B2 \* 10/2004 Bergner ..... H01R 9/2658  
439/532

(57) **CLAIM**

The ornamental design for a semiconductor module, as shown and described.

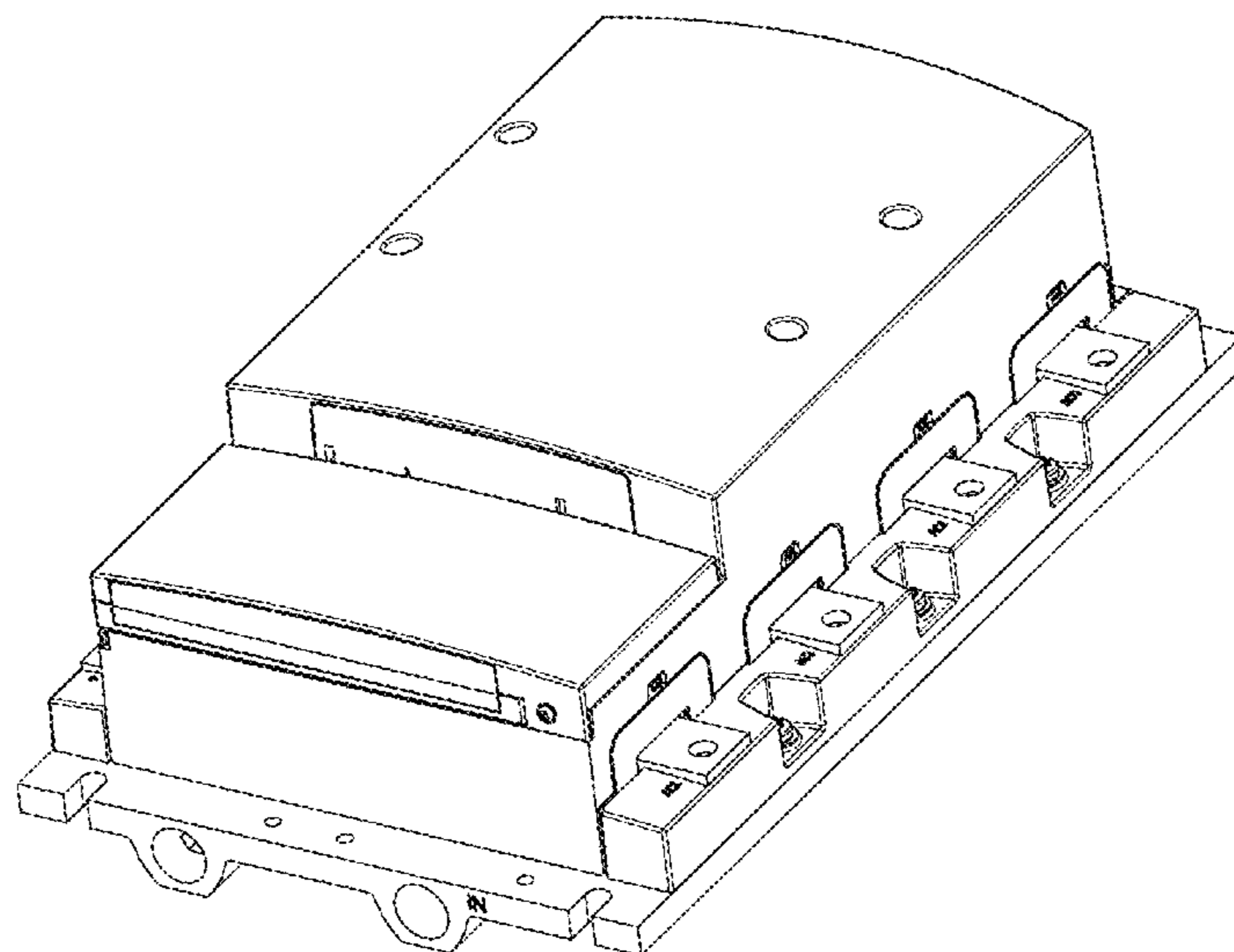
**DESCRIPTION**

FIG. 1 is a top, front and right side perspective view of the semiconductor module showing my new design; FIG. 2 is a back side elevational view thereof; FIG. 3 is a front side elevational view thereof; FIG. 4 is a left side elevational view thereof; FIG. 5 is a right side elevational view thereof; and, FIG. 6 is a top plan view thereof.

The broken line portion of the figure drawings is included to show portions of the article that form no part of the claimed design.

All surfaces not shown form no part of the claimed design.

**1 Claim, 6 Drawing Sheets**



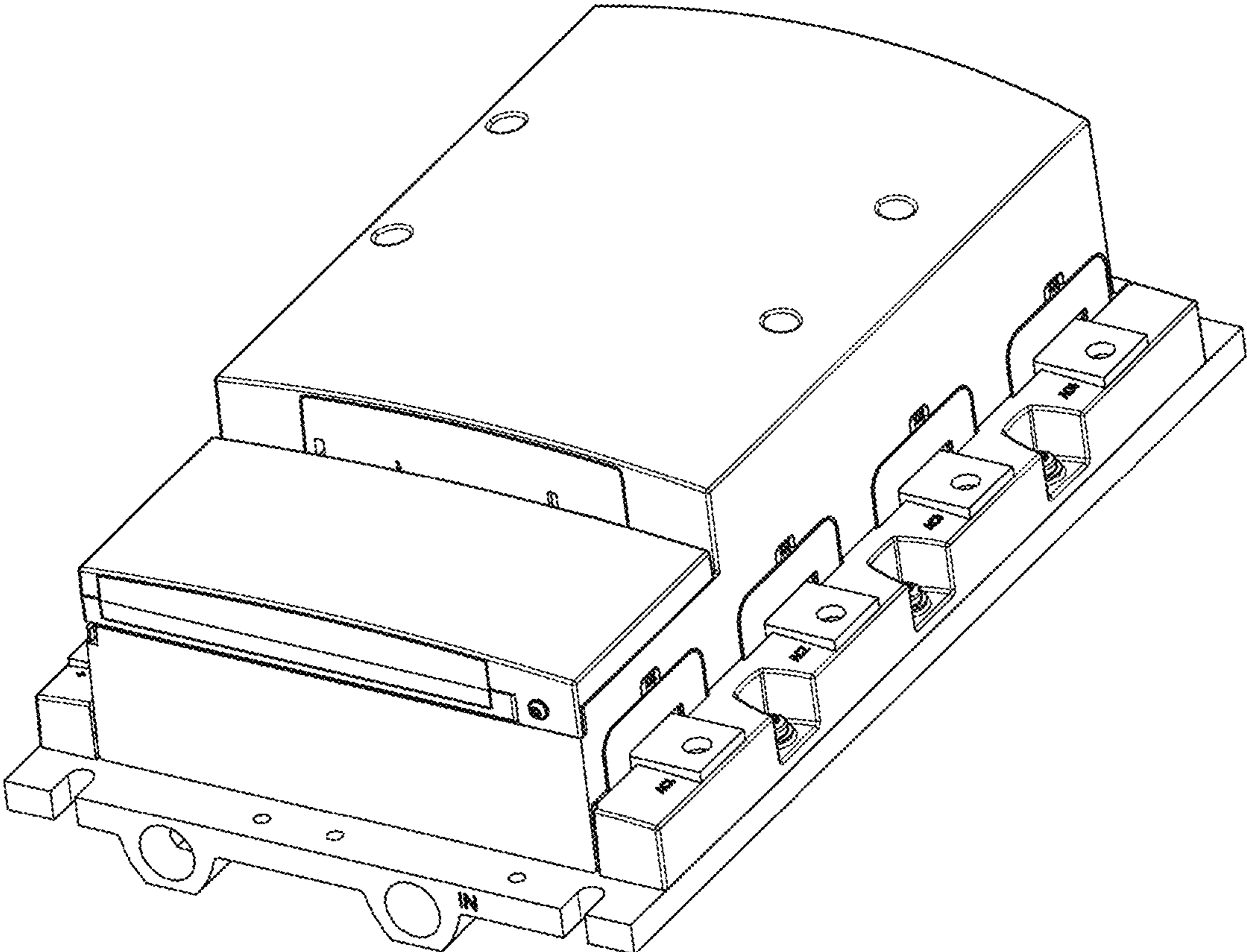


FIG. 1

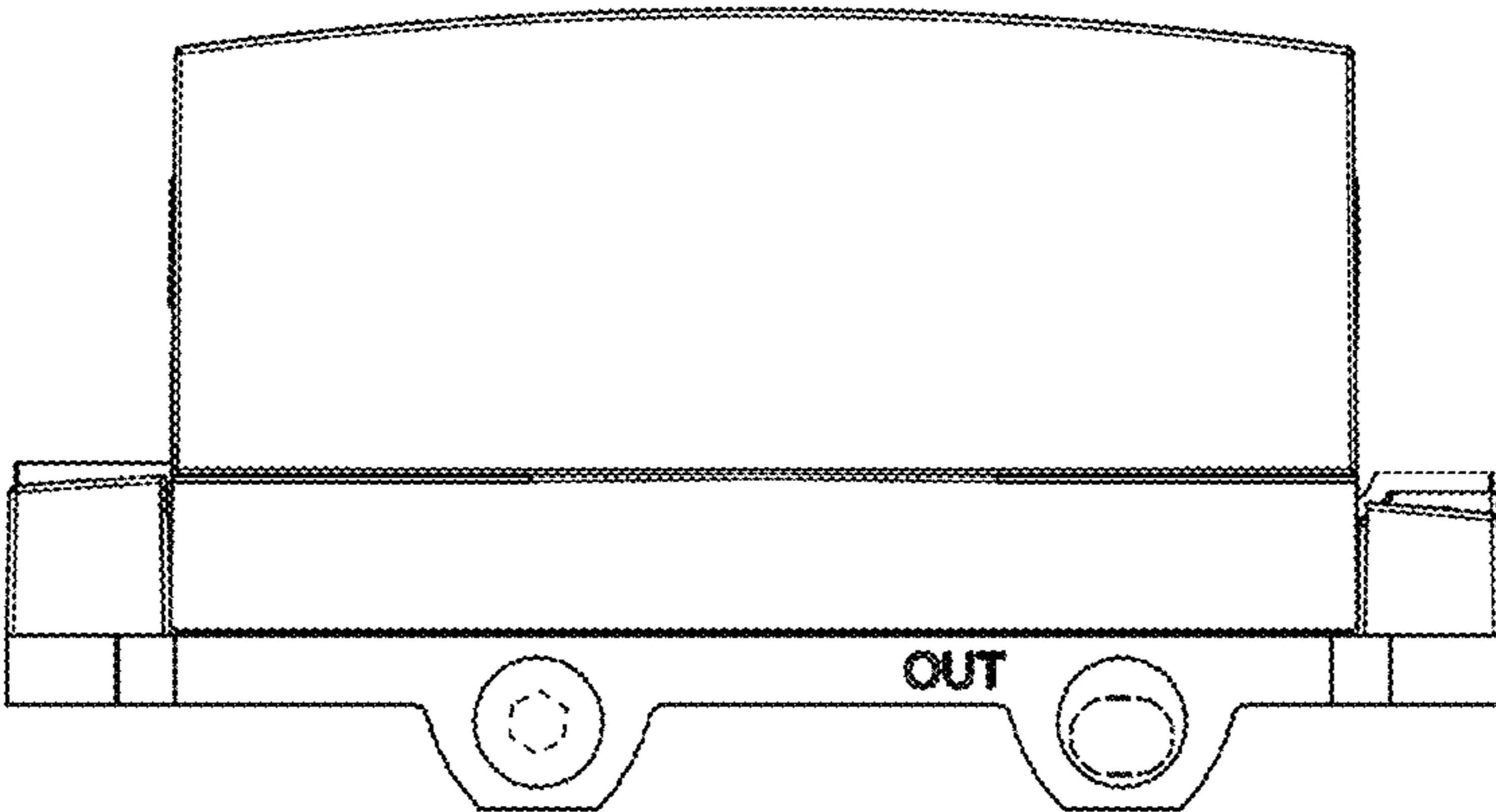


FIG. 2

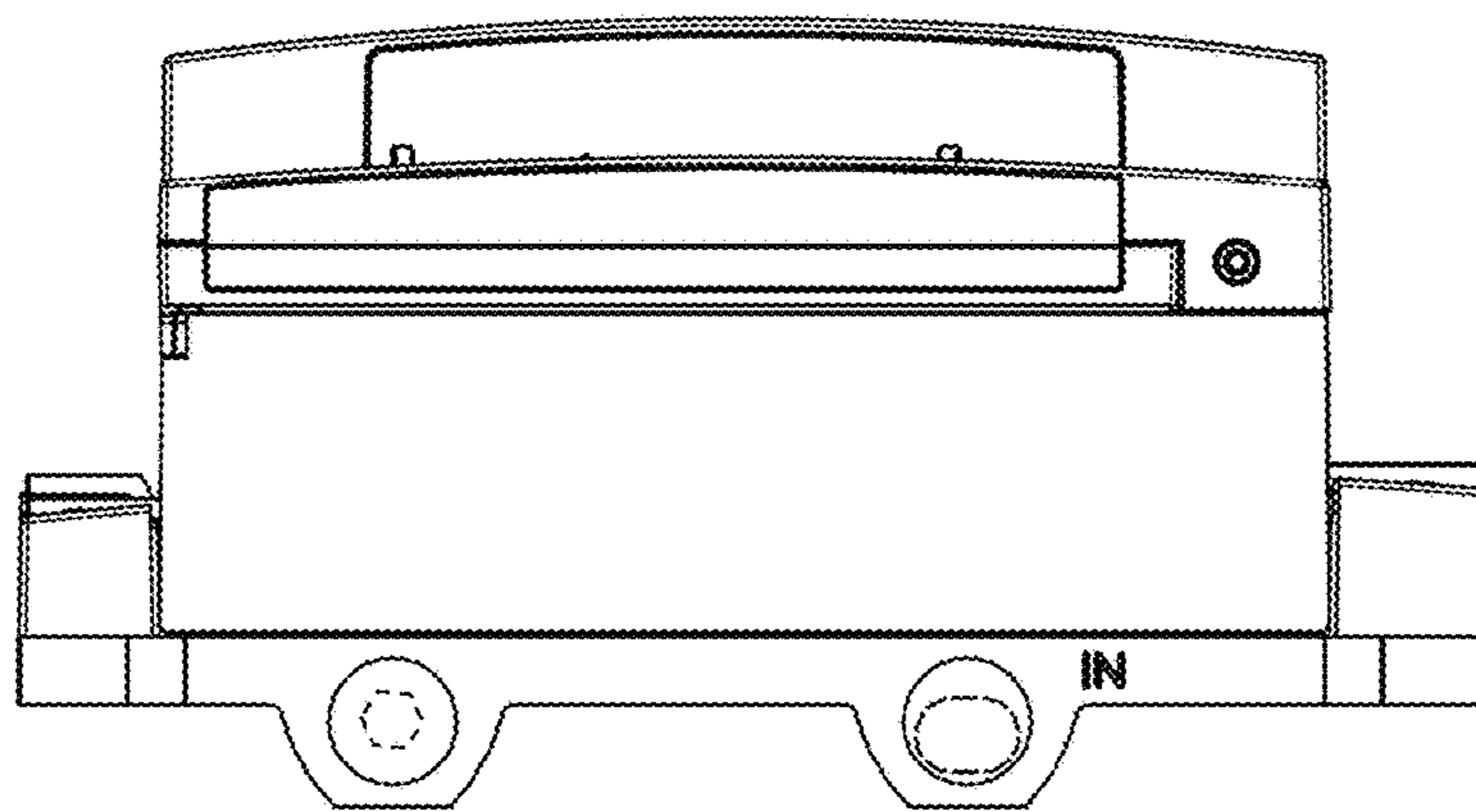


FIG. 3

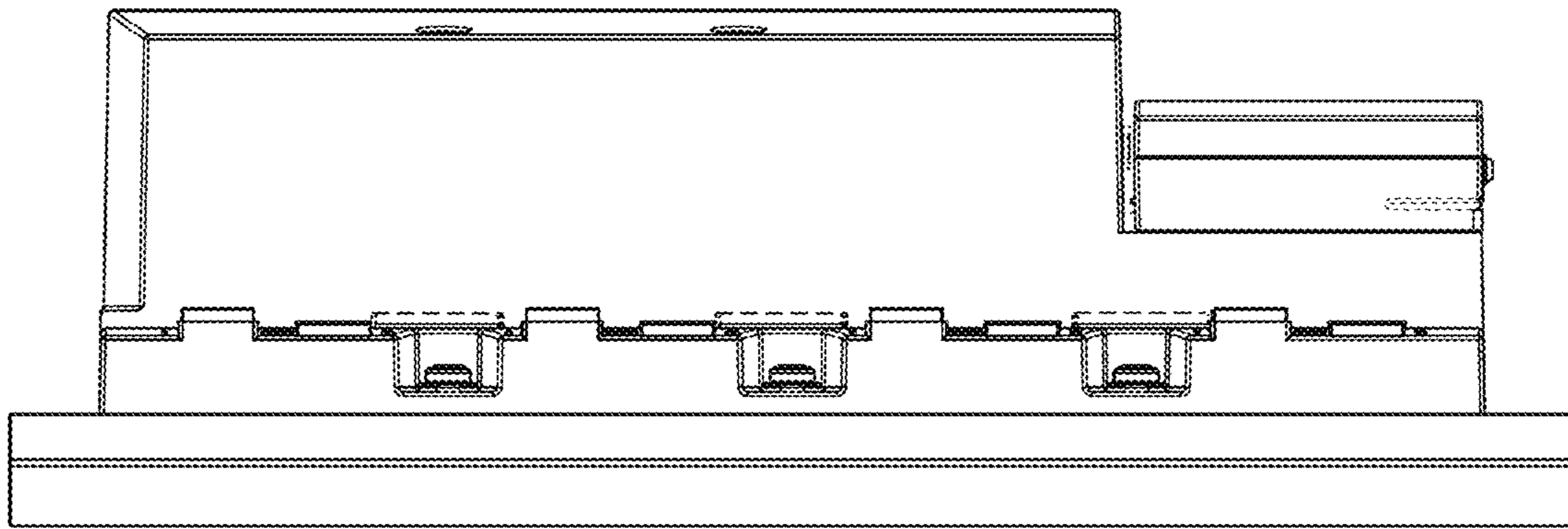


FIG. 4

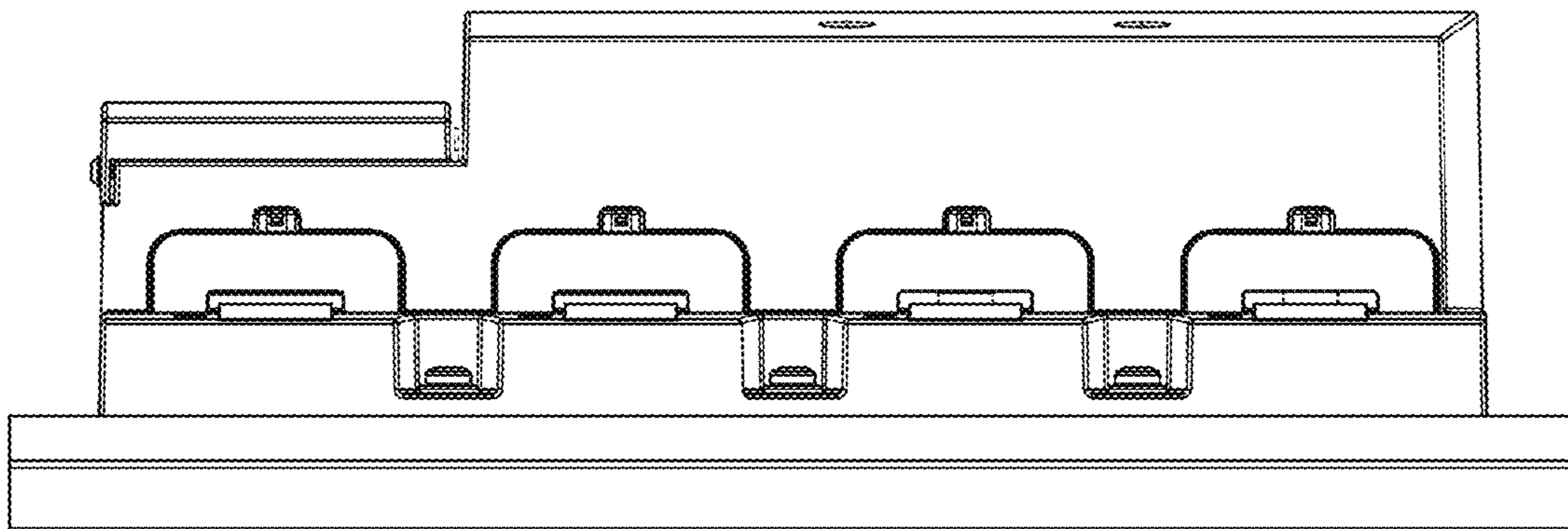


FIG. 5

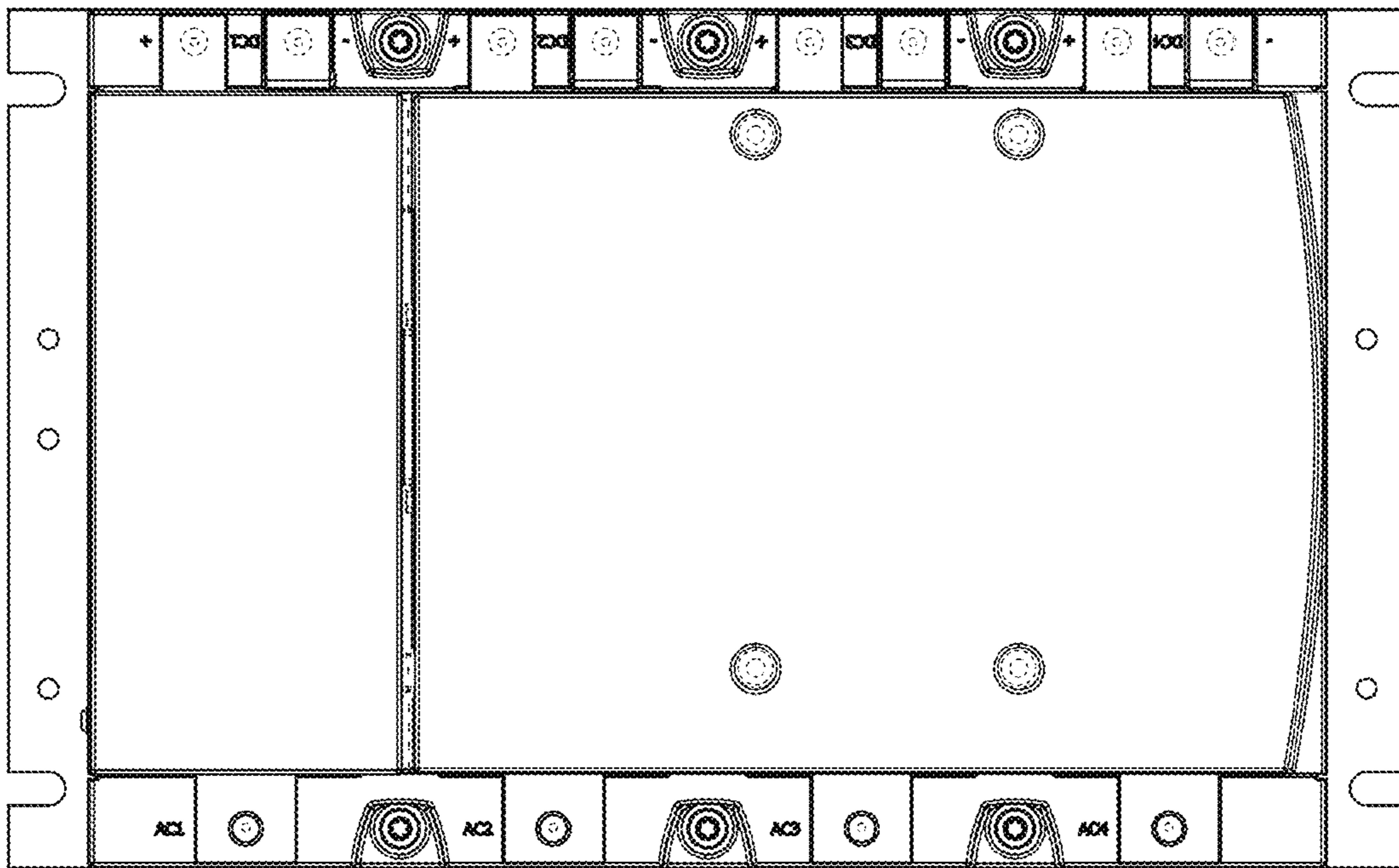


FIG. 6