



US00D853338S

(12) **United States Design Patent** (10) **Patent No.:** **US D853,338 S**
Tanabe et al. (45) **Date of Patent:** **** Jul. 9, 2019**

(54) **CONTROLLER FOR A ROBOT**

(71) Applicant: **FANUC CORPORATION**, Yamanashi (JP)

(72) Inventors: **Yoshikiyo Tanabe**, Yamanashi (JP);
Masaru Kino, Yamanashi (JP);
Toshihiro Fujimori, Yamanashi (JP)

(73) Assignee: **FANUC CORPORATION**, Yamanashi (JP)

(**) Term: **15 Years**

(21) Appl. No.: **29/648,870**

(22) Filed: **May 24, 2018**

(30) **Foreign Application Priority Data**

Nov. 24, 2017 (JP) 2017-026187

(51) **LOC (11) Cl.** **13-03**

(52) **U.S. Cl.**
USPC **D13/162; D13/162.1**

(58) **Field of Classification Search**
USPC D13/162, 162.1, 163, 199; D15/199
CPC ... B25J 9/16; B25J 9/161; B25J 9/1602; B25J
9/1065; G05B 19/18; G05B 19/19; G05B
19/418; G06F 1/26; G06F 1/266; G06F
1/28; H05K 7/0017; H05K 7/1462; H05K
7/1467; H05K 7/1468

See application file for complete search history.

(56) **References Cited**

U.S. PATENT DOCUMENTS

D839,844 S * 2/2019 Yan D13/162
D839,845 S * 2/2019 Yan D13/162
D840,953 S * 2/2019 Yan D13/162
2007/0119049 A1 * 5/2007 Teranaka B25J 9/1602
29/740

OTHER PUBLICATIONS

Google image ,Toshiba TSL Series, prior to May 24, 2018; 1
pg.;<https://www.google.com/search?hl=en&biw=1536&bih=813>

&tbs=cdr%3A1%2Ccd_max%3A5%2F24%2F2018&tbs=isch&sa=1&ei =SQGtXOisI43a5gKT5K-wBw&q=toshiba+controller+for+robot&oq=toshiba+controller+for+robot&gs_l=img.12...99576.107337..111356...1.0..1.186.809.9j.*

Google image, Staubli Robot Controller, prior to May 24, 2018; 1 pg.; https://www.google.com/search?q=controller+for+robot&hl=en&biw=1536&bih=813&source=Int&tbs=cdr%3A1%2Ccd_min%3A%2Ccd_max%3A5%2F24%2F2018&tbs=isch#imgrc=_KWSvcZzRQ7sZM:&spf=1554830216927.*

Google image, DENSO RC7 Robot Controller, prior to May 24, 2018; 1 pg.; https://www.google.com/search?q=controller+for+robot&hl=en&biw=1536&bih=813&source=Int&tbs=cdr%3A1%2Ccd_min%3A%2Ccd_max%3A5%2F24%2F2018&tbs=isch#imgrc=smcvercnibGiiM:&spf=1554835572532.*

Google image, DirectIndustry, prior to May 24, 2018, 1pg.; https://www.google.com/search?hl=en&biw=1536&bih=813&tbs=cdr%3A1%2Ccd_max%3A5%2F24%2F2017&tbs=isch&sa=1&ei=z9msXJvqPKO3ggeOuqLgCQ&q=+robot+controller&oq=+robot+controller&gs_l=img.12..0j0i7i3019.125441.125441..128826...0.0..0.86.86.1.....0....1..gws-w.*

* cited by examiner

Primary Examiner — Selina Sikder

(74) *Attorney, Agent, or Firm* — Banner & Witcoff, Ltd.

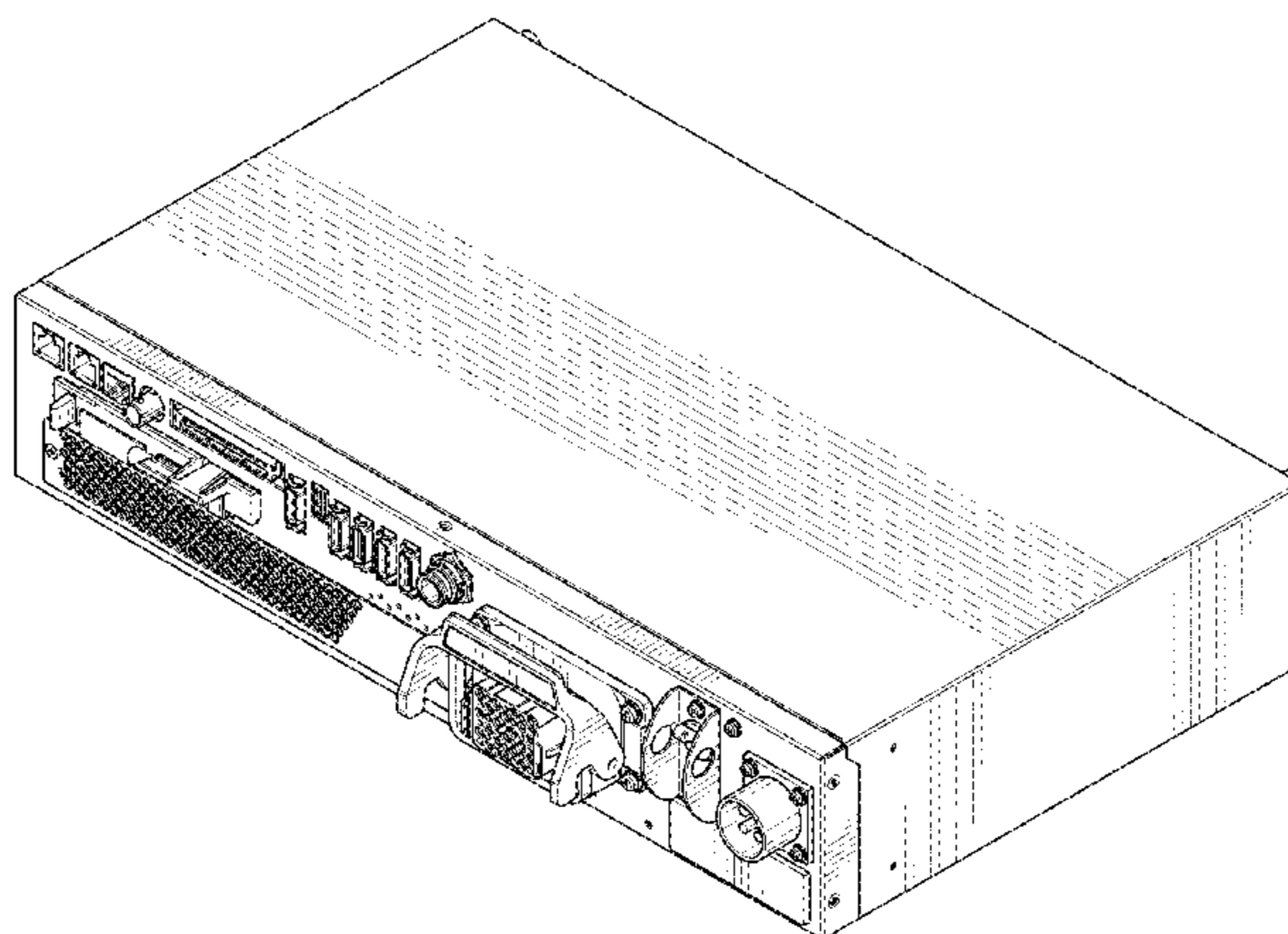
(57) **CLAIM**

The ornamental design for a controller for a robot, as shown and described.

DESCRIPTION

FIG. 1 is a front perspective view of a controller for a robot showing our new design;
FIG. 2 is a front view thereof,
FIG. 3 is a rear view thereof;
FIG. 4 is a top plan view thereof;
FIG. 5 is a bottom view thereof;
FIG. 6 is a right side view thereof; and,
FIG. 7 is a left side view thereof.

1 Claim, 7 Drawing Sheets



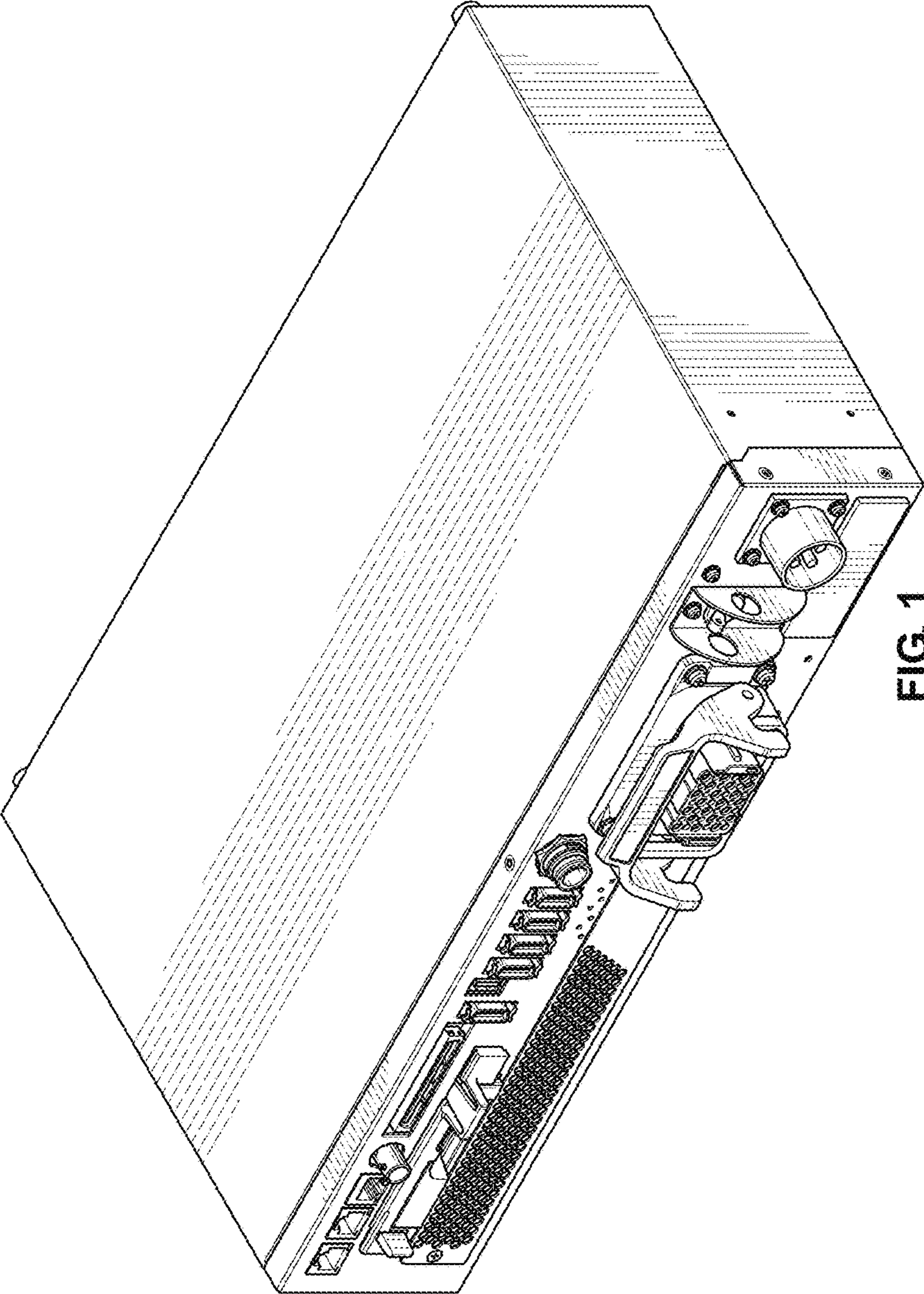


FIG. 1

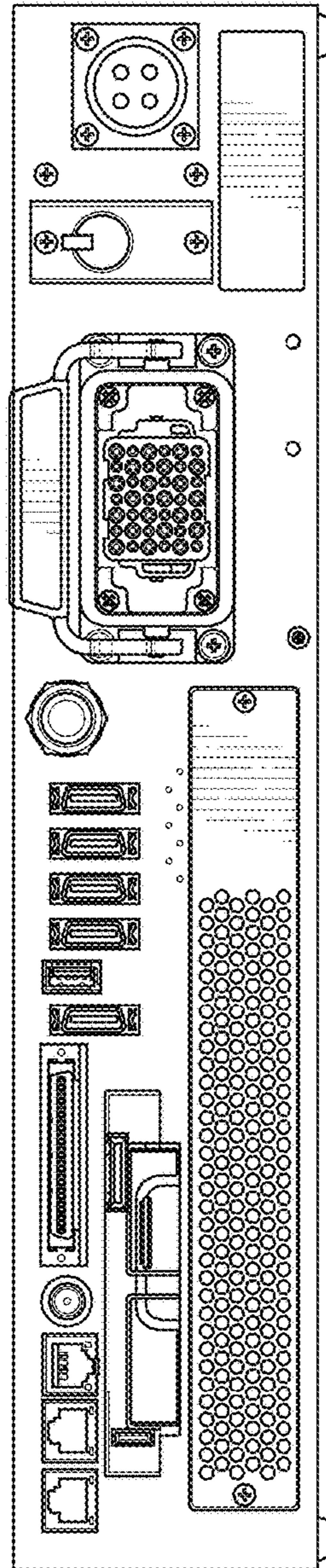


FIG. 2

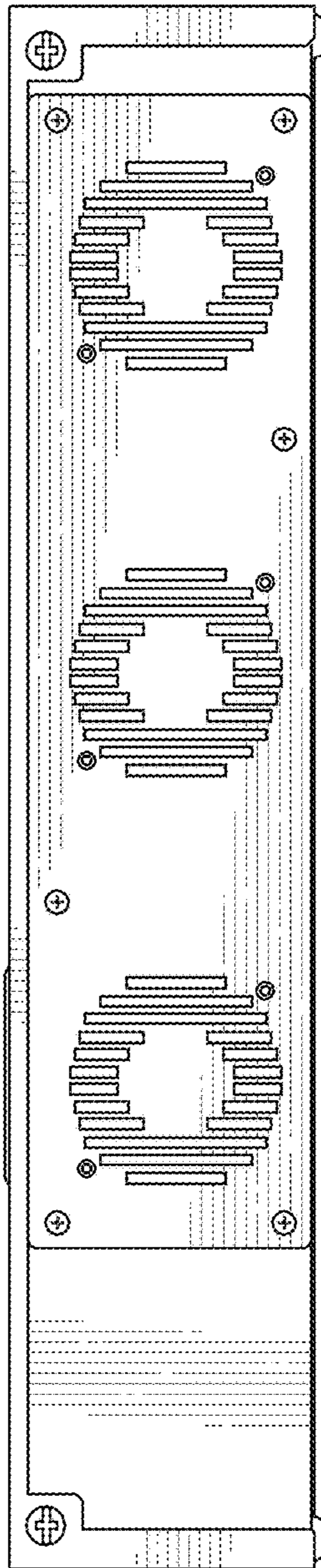


FIG. 3

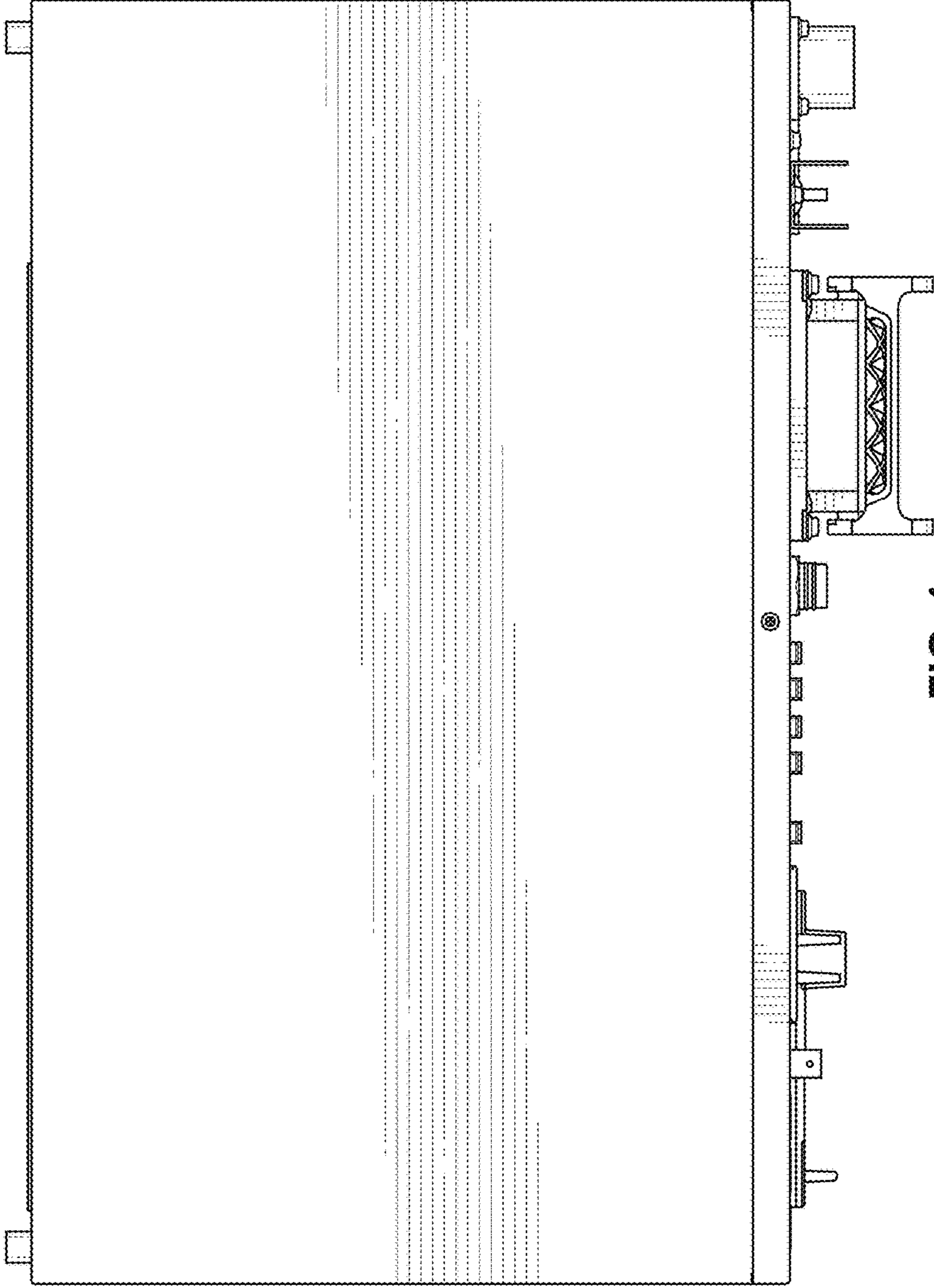


FIG. 4

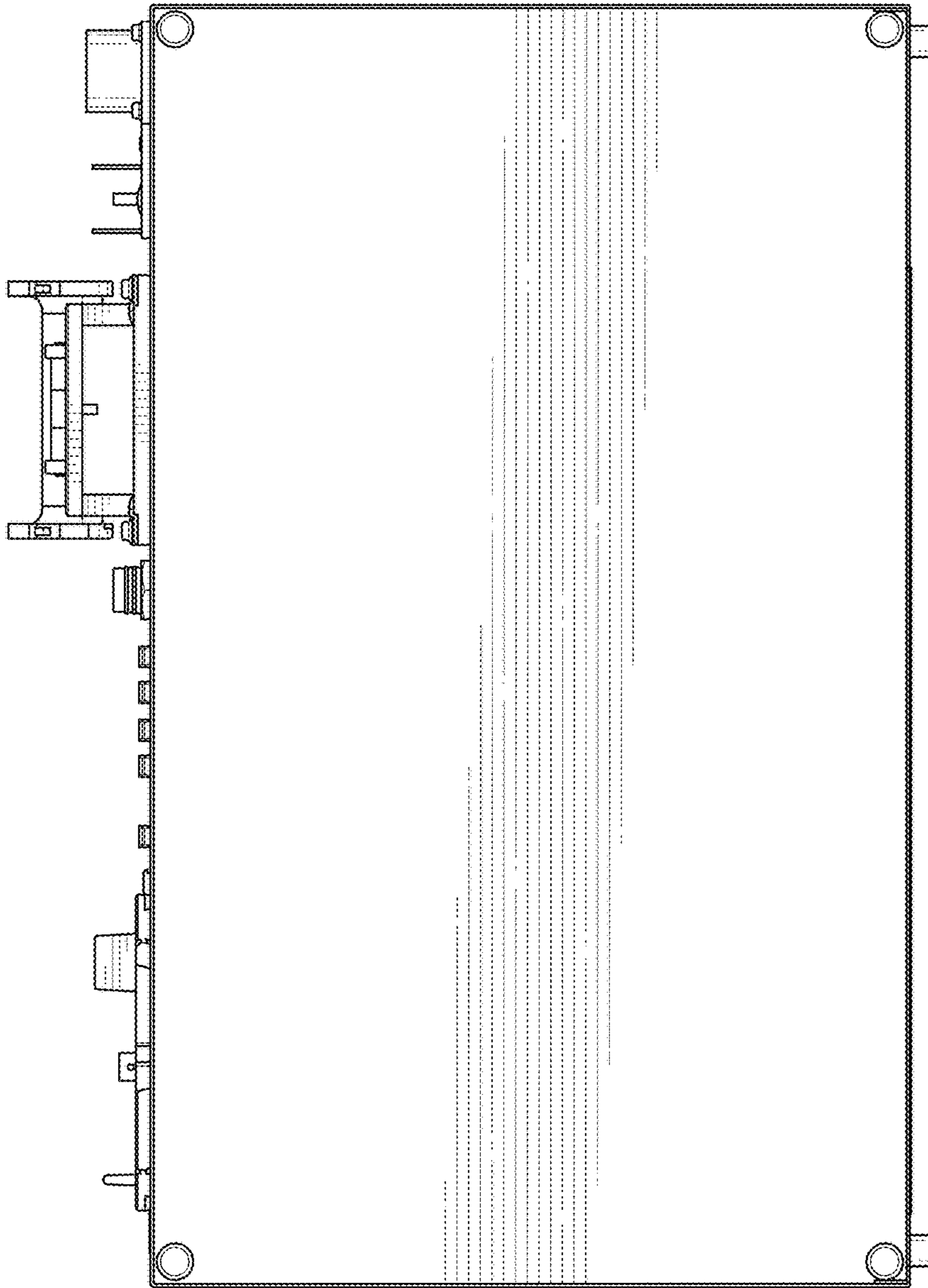


FIG. 5

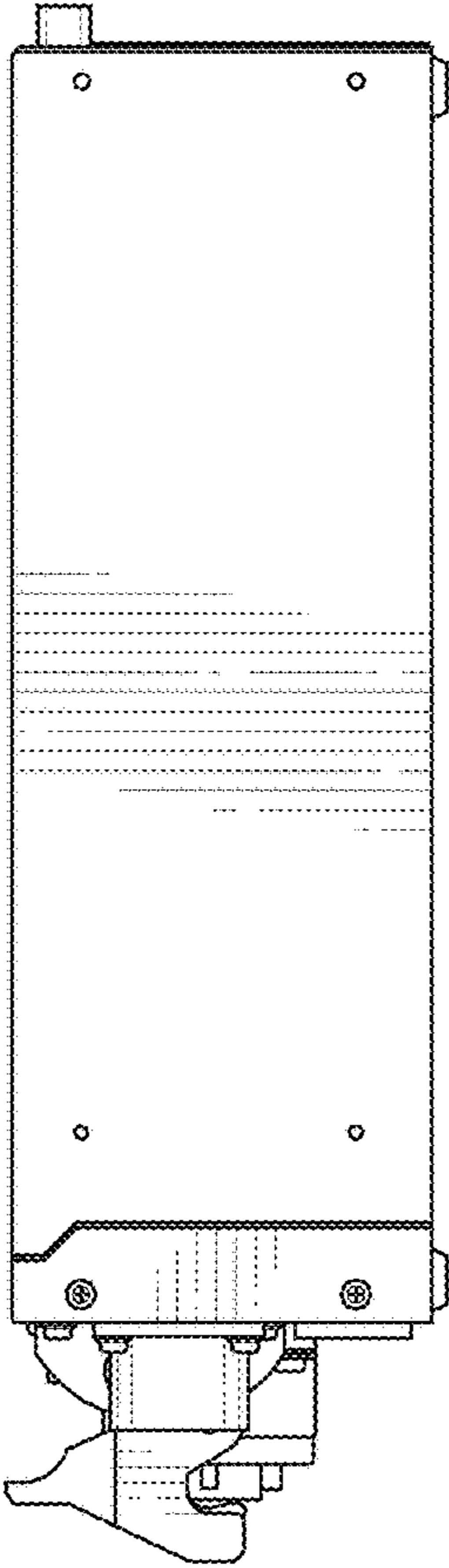


FIG. 6

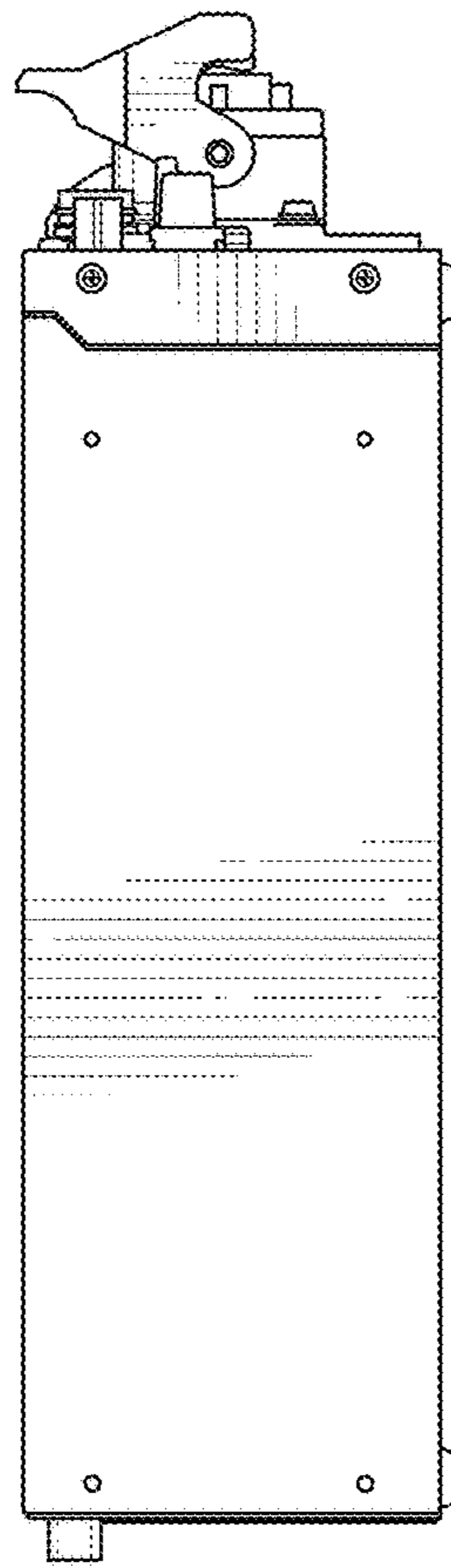


FIG. 7