



US00D853334S

(12) **United States Design Patent**  
**Mastel**

(10) **Patent No.:** **US D853,334 S**

(45) **Date of Patent:** **\*\* \*Jul. 9, 2019**

(54) **ELECTRICAL CONNECTOR**

(71) Applicant: **WAGO Verwaltungsgesellschaft mbH**,  
Minden (DE)

(72) Inventor: **Rudolf Mastel**, Porta Westfalica (DE)

(73) Assignee: **WAGO Verwaltungsgesellschaft mbH**,  
Minden (DE)

(\*) Notice: This patent is subject to a terminal disclaimer.

(\*\*) Term: **15 Years**

(21) Appl. No.: **29/604,000**

(22) Filed: **May 15, 2017**

(30) **Foreign Application Priority Data**

Nov. 14, 2016 (EM) ..... 003461839-0001

(51) **LOC (11) Cl.** ..... **13-03**

(52) **U.S. Cl.**  
USPC ..... **D13/146; D13/147**

(58) **Field of Classification Search**

USPC ..... D13/110, 118, 123, 133, 146, 147, 149,  
D13/154, 158-161, 173, 184, 199

CPC ..... H01R 4/48; H01R 4/4836; H01R 4/50;  
H01R 9/24; H01R 13/6273; H01R

13/639; H01R 13/627; H01R 13/6456;  
H01R 13/193; H01R 13/58; H01R 13/62;

H01R 12/00; H01R 23/02; H01R 23/88;  
H01R 23/94; H01R 25/00; H01R 37/02;

H01R 31/00; H01R 33/90; H01R 4/00;  
H01R 11/00; H01R 13/00; H01R 24/00;

H01R 33/00; H01R 13/02; H01R 13/52;  
H01R 33/92; H01R 4/02; H01R 4/30;

H01R 9/242

See application file for complete search history.

(56) **References Cited**

**U.S. PATENT DOCUMENTS**

D473,519 S \* 4/2003 Borst ..... H01R 4/40

D13/147

D618,619 S \* 6/2010 Walter ..... D13/147

D625,270 S \* 10/2010 Schafmeister ..... D13/147

D739,822 S \* 9/2015 Severing ..... D13/146

D756,301 S \* 5/2016 Wu ..... D13/133

D756,304 S \* 5/2016 Wu ..... D13/146

(Continued)

**FOREIGN PATENT DOCUMENTS**

EM 003383926-0001 \* 12/2016

EM 003383926-0004 \* 12/2016

*Primary Examiner* — Angela J Lee

*Assistant Examiner* — Shawn T Gingrich

(74) *Attorney, Agent, or Firm* — Muncy, Geissler, Olds &  
Lowe, P.C.

(57) **CLAIM**

The ornamental design for an electrical connector, as shown and described.

**DESCRIPTION**

FIG. 1 is a front perspective view of an electrical connector according to the present invention.

FIG. 2 is a front view of the electrical connector of FIG. 1.

FIG. 3 is a rear view of the electrical connector of FIG. 1.

FIG. 4 is a left side view of the electrical connector of FIG. 1.

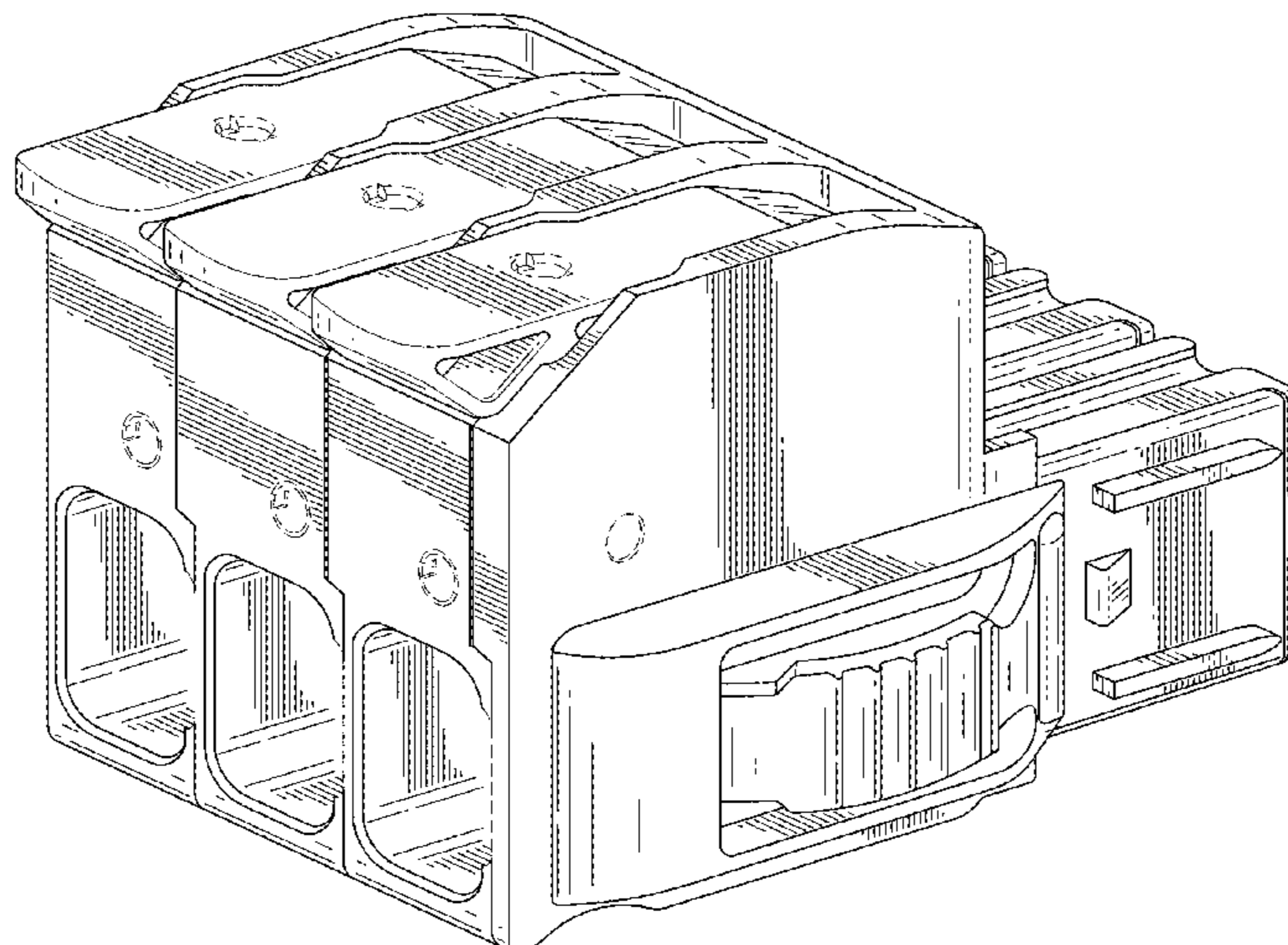
FIG. 5 is a right side view of the electrical connector of FIG. 1.

FIG. 6 is a top view of the electrical connector of FIG. 1; and,

FIG. 7 is a bottom view of the electrical connector of FIG. 1.

The dashed lines illustrate environment that does not form a part of the present invention, and no claim is made to the material illustrated with dashed lines.

**1 Claim, 7 Drawing Sheets**



(56)

**References Cited**

U.S. PATENT DOCUMENTS

D756,305	S *	5/2016	Kollmann	.....	D13/133
D810,693	S *	2/2018	Rao	.....	D13/147
D824,860	S *	8/2018	Mastel	.....	D13/147
D824,861	S *	8/2018	Mastel	.....	D13/147
D825,480	S *	8/2018	Mastel	.....	D13/147
D825,482	S *	8/2018	Mastel	.....	D13/147
D826,164	S *	8/2018	Mastel	.....	D13/146
D826,165	S *	8/2018	Mastel	.....	D13/146
D826,169	S *	8/2018	Mastel	.....	D13/147
D833,976	S *	11/2018	Wu	.....	D13/147
10,153,564	B1 *	12/2018	Wu	.....	H01R 9/093
2015/0044897	A1 *	2/2015	Wu	.....	H01R 4/48
					439/352
2015/0357728	A1 *	12/2015	Chen	.....	H01R 4/48
					439/725
2016/0006176	A1 *	1/2016	Kollmann	.....	H01R 4/4836
					439/346

\* cited by examiner

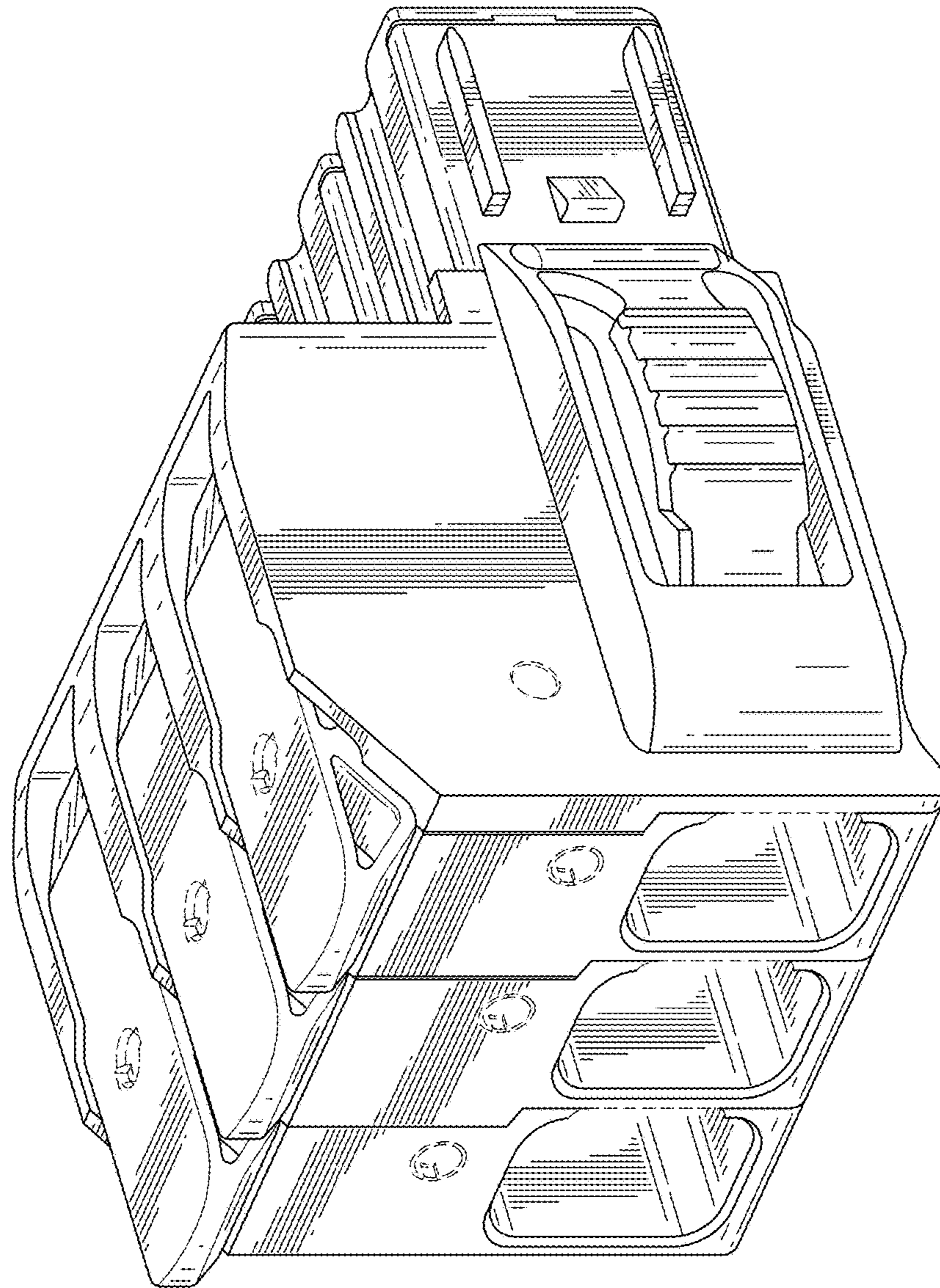


FIG.1



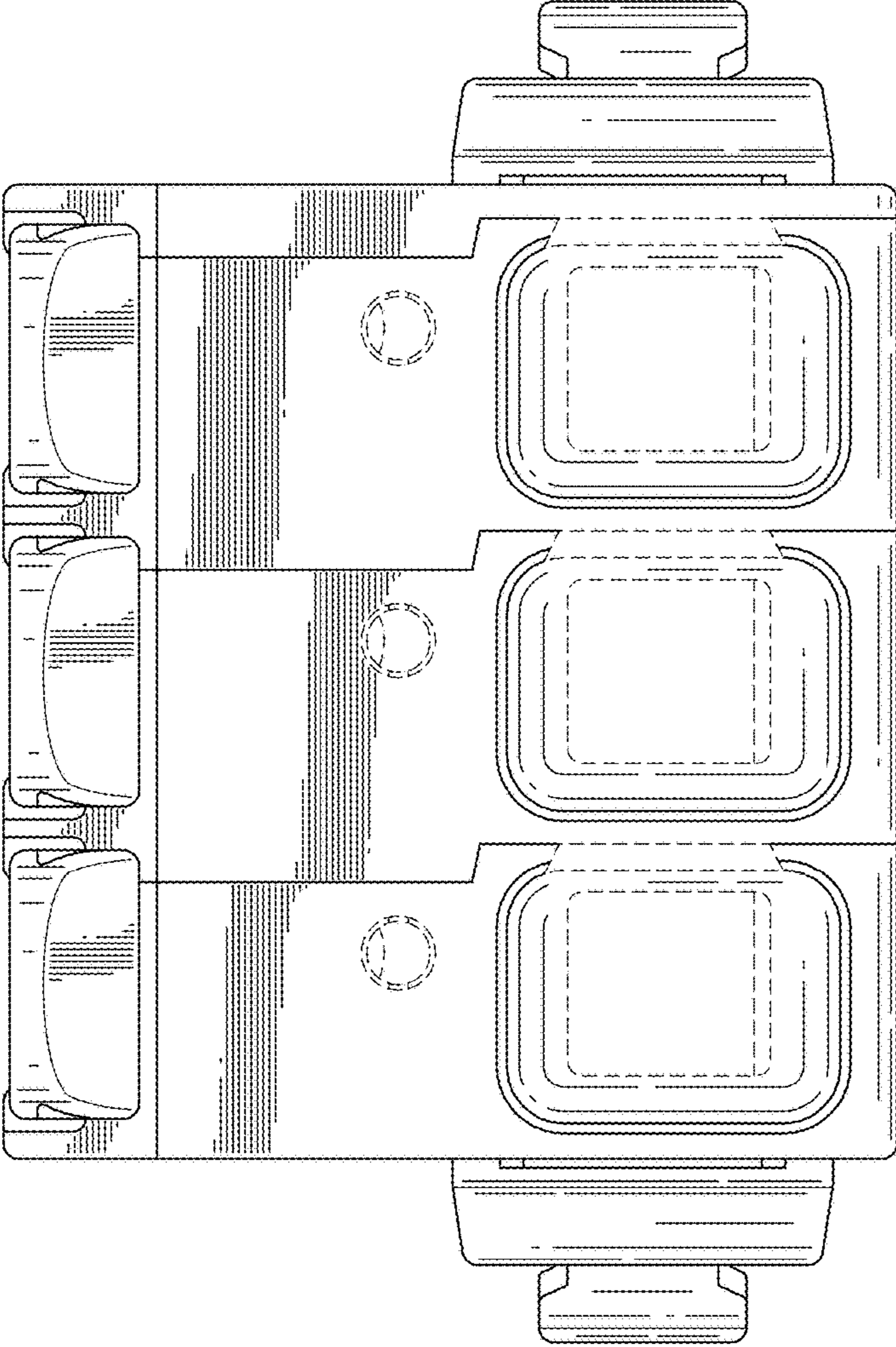


FIG.2

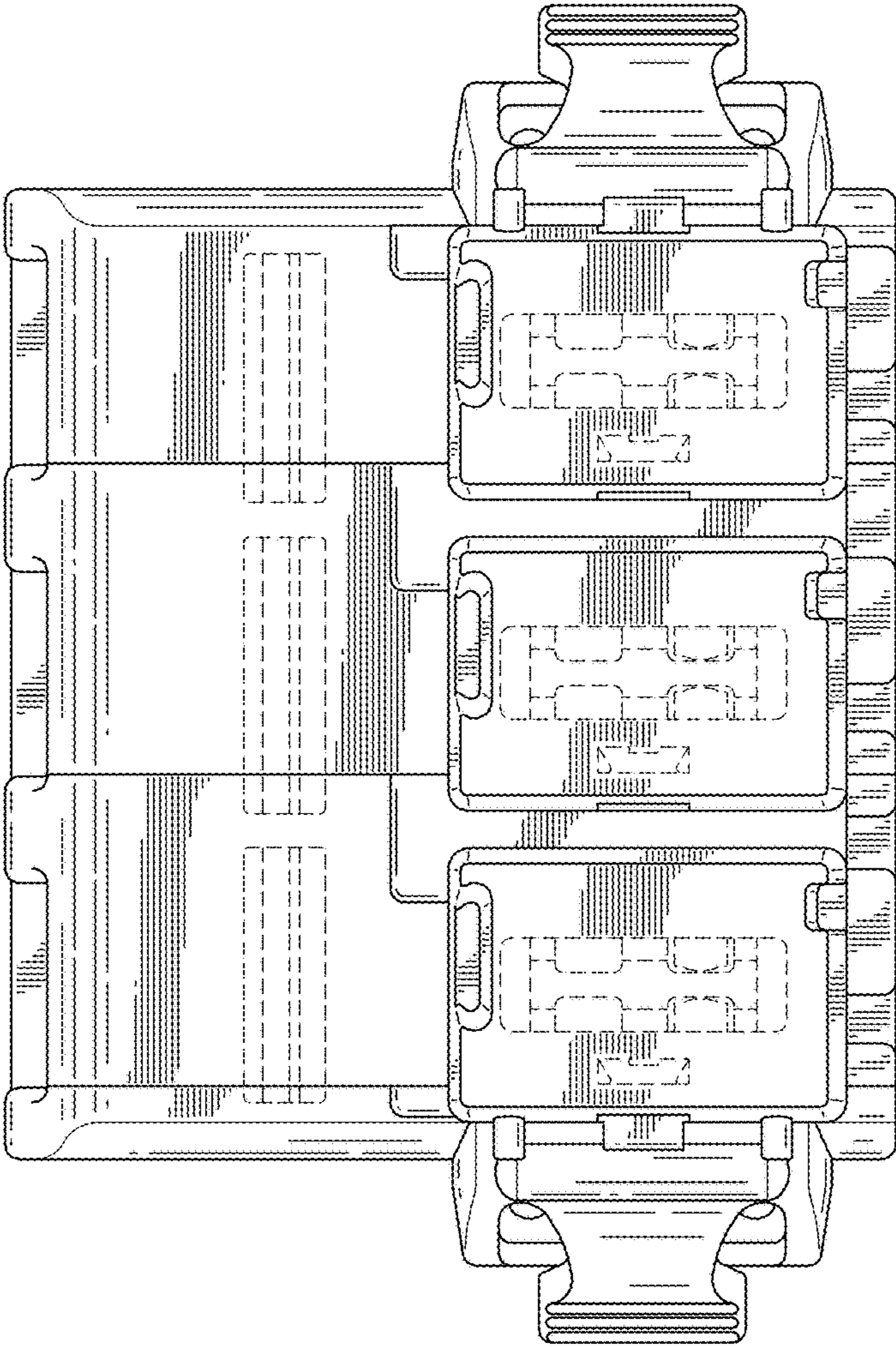


FIG.3

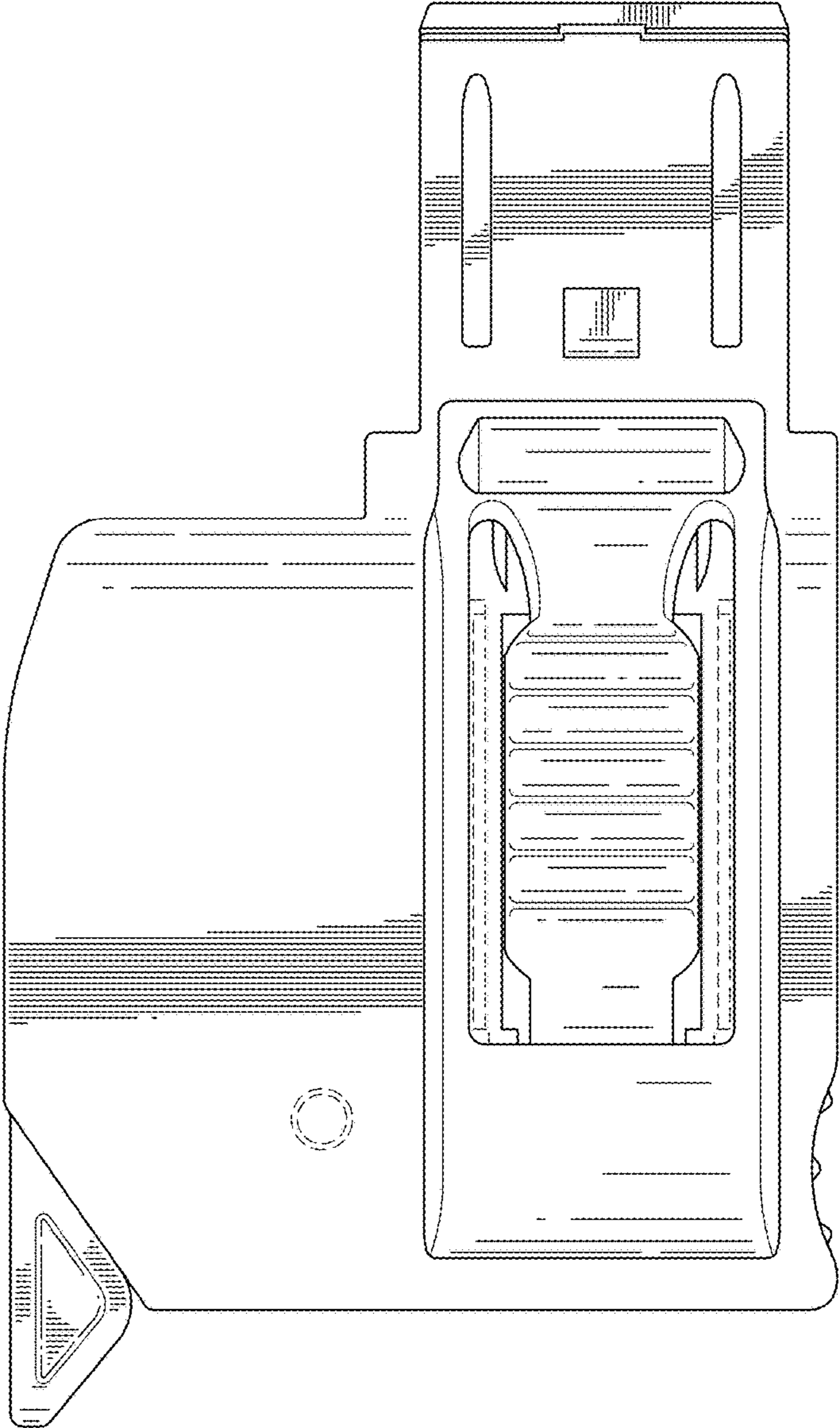


FIG.4

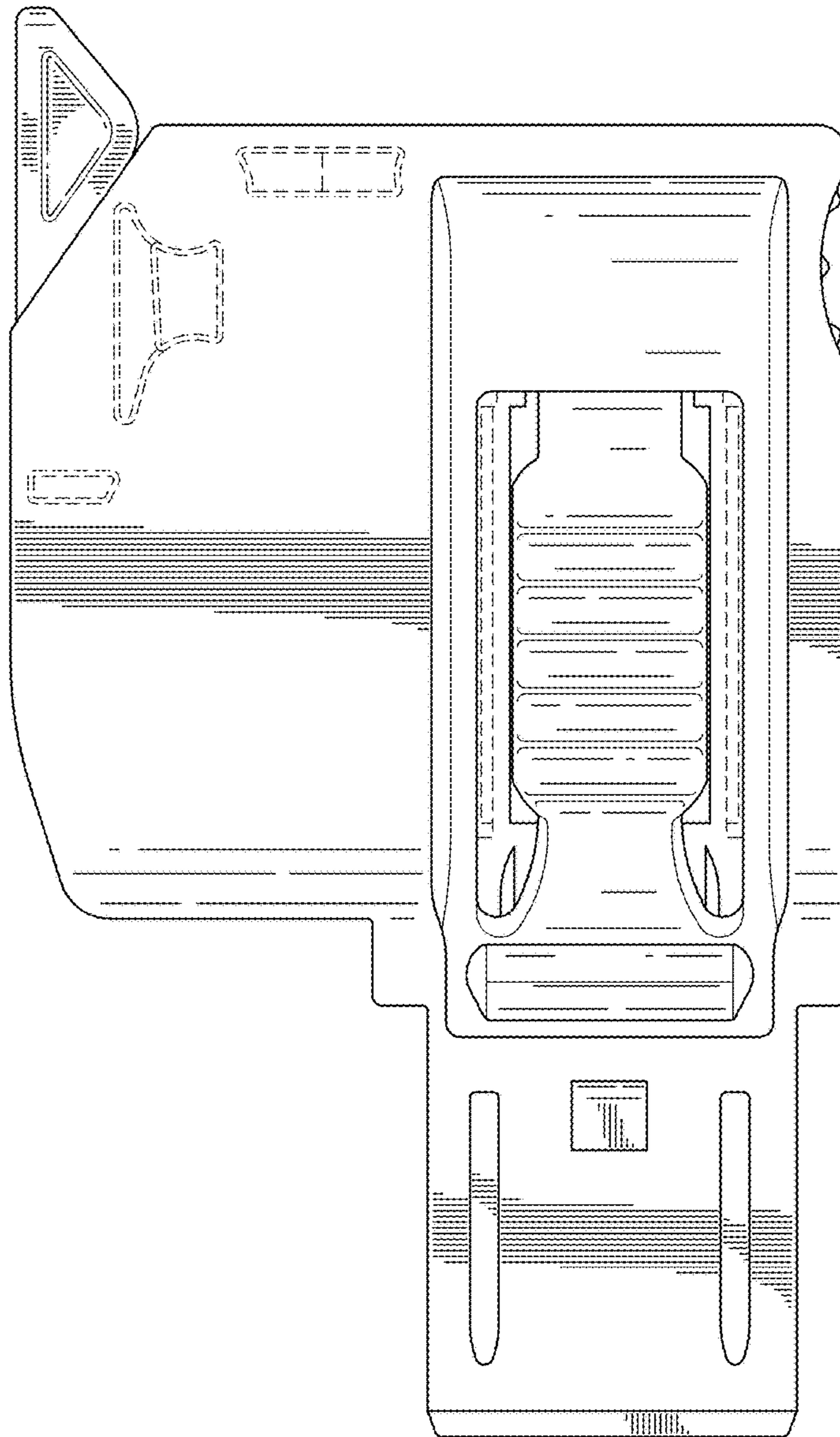


FIG.5

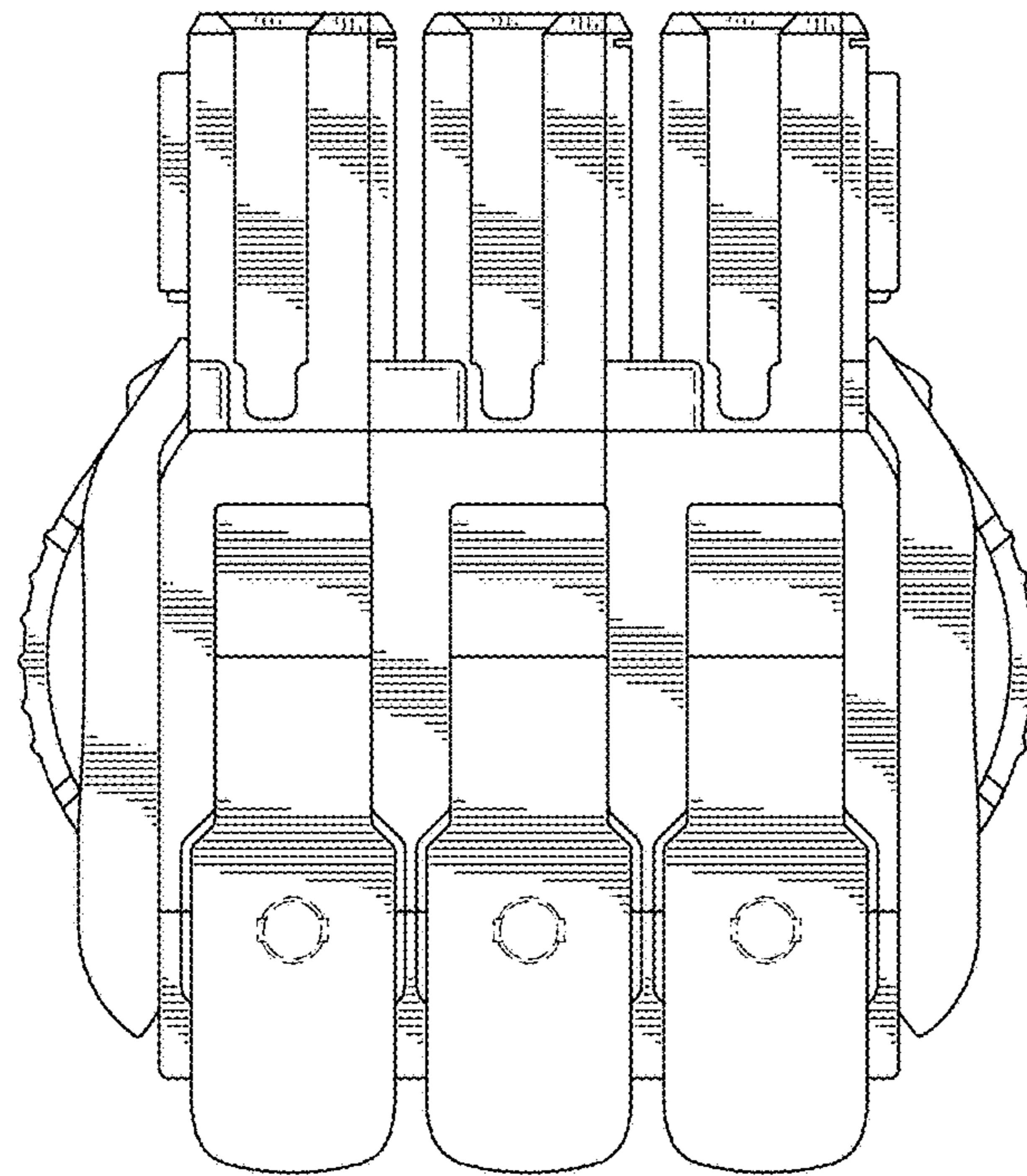


FIG.6



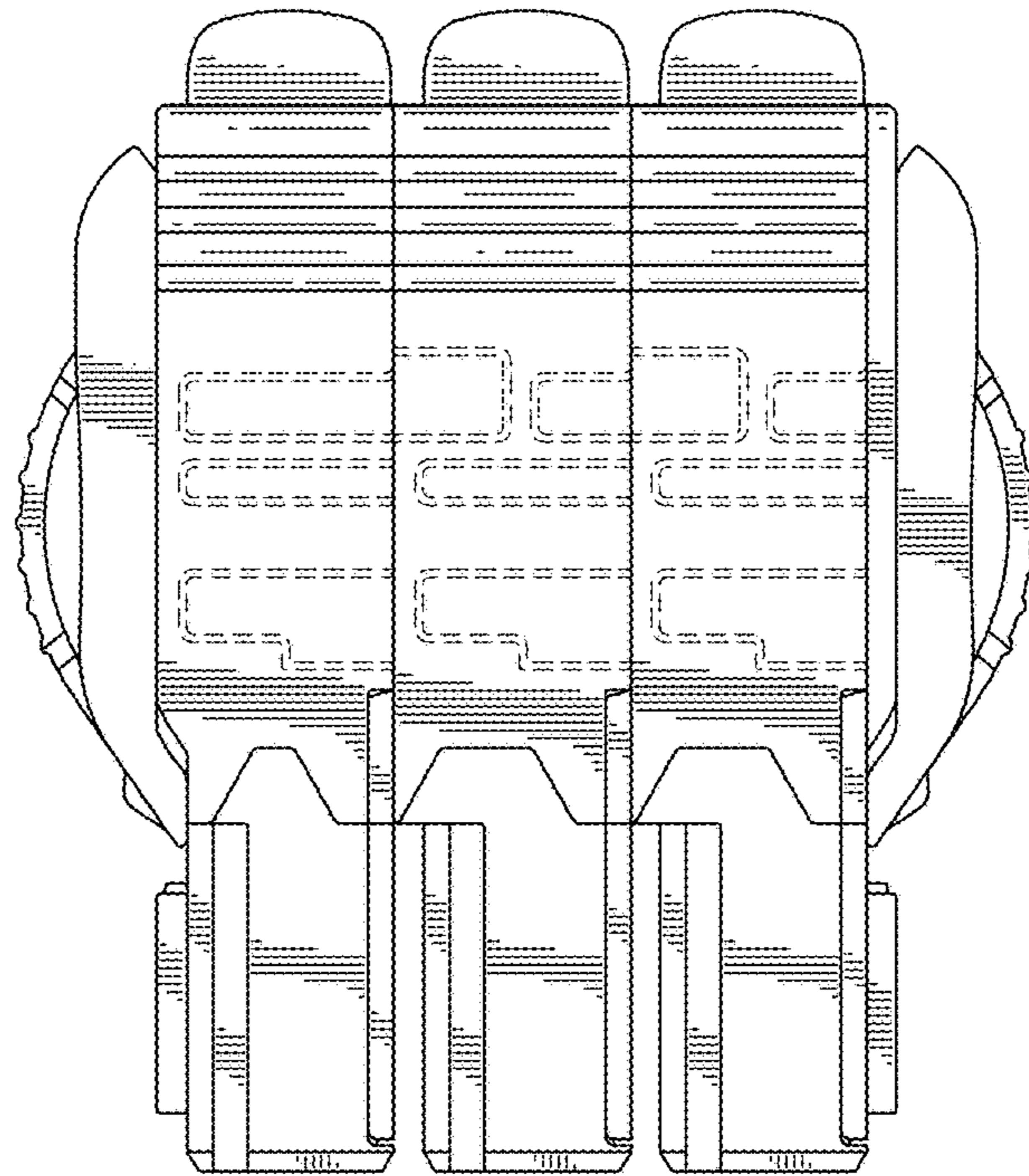


FIG.7