



US00D853331S

(12) **United States Design Patent**
Bradley et al.

(10) **Patent No.:** **US D853,331 S**
(45) **Date of Patent:** **** Jul. 9, 2019**

(54) **ENGINE CONTROL UNIT**

(71) Applicant: **General Electric Company,**
Schenectady, NY (US)

(72) Inventors: **Neil Patrick Bradley,** Erie, PA (US);
Christian Carlsson, Amal (SE); **Bo**
Bijlenga, Amal (SE)

(73) Assignee: **GE Global Sourcing LLC,** Norwalk,
CT (US)

(**) Term: **15 Years**

(21) Appl. No.: **29/541,062**

(22) Filed: **Sep. 30, 2015**

(51) **LOC (11) Cl.** **13-01**

(52) **U.S. Cl.**
USPC **D13/122**

(58) **Field of Classification Search**
USPC 123/2, 3; 290/1 A, 1 B, 1 R; 310/89;
322/100; 361/730, 836; D13/101,
D13/110-116, 118, 122, 184, 199;
D23/111, 351, 395
CPC . F02B 63/04; G06F 1/188; G06F 1/26; H02K
35/02

See application file for complete search history.

(56) **References Cited**

U.S. PATENT DOCUMENTS

D217,870 S * 6/1970 Brenner D13/118
D292,913 S * 11/1987 Shaper D13/103

D356,995 S * 4/1995 Henderson D13/110
D708,133 S * 7/2014 Hakala D13/110
D732,471 S * 6/2015 Rucareanu D13/110
D739,347 S * 9/2015 Huang D13/110
D741,259 S * 10/2015 Siddiqui D13/110
D755,123 S * 5/2016 Ho D13/110
D783,529 S * 4/2017 Hoffman D13/110
D789,887 S * 6/2017 Zeng D13/110
9,678,546 B2 * 6/2017 May G06F 1/20
D801,924 S * 11/2017 Priem D13/112
D805,473 S * 12/2017 Montgomery D13/110
2007/0081306 A1 * 4/2007 Wong G06F 1/20
361/695

* cited by examiner

Primary Examiner — Derrick E Holland

Assistant Examiner — Jennifer O King

(74) *Attorney, Agent, or Firm* — McCoy Russell LLP

(57) **CLAIM**

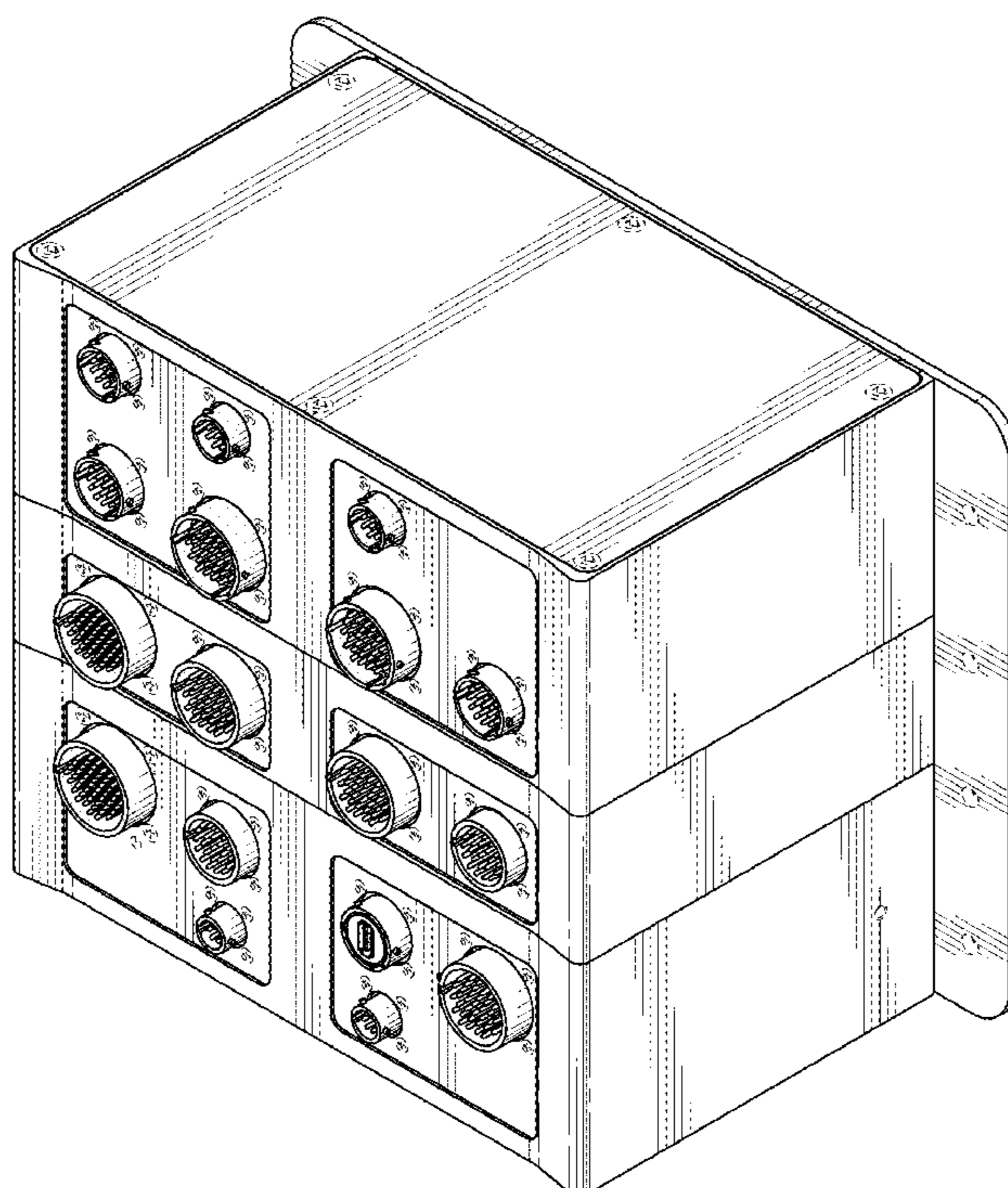
The ornamental design for an engine control unit, as shown and described.

DESCRIPTION

FIG. 1 is a perspective view of an engine control unit depicting our new design;
FIG. 2 is a front view thereof;
FIG. 3 is a first side view thereof;
FIG. 4 is a second side view thereof;
FIG. 5 is a top view thereof; and,
FIG. 6 is a bottom end view thereof.

The broken lines are included to show portions of the engine control unit that form no part of the claimed design.

1 Claim, 4 Drawing Sheets



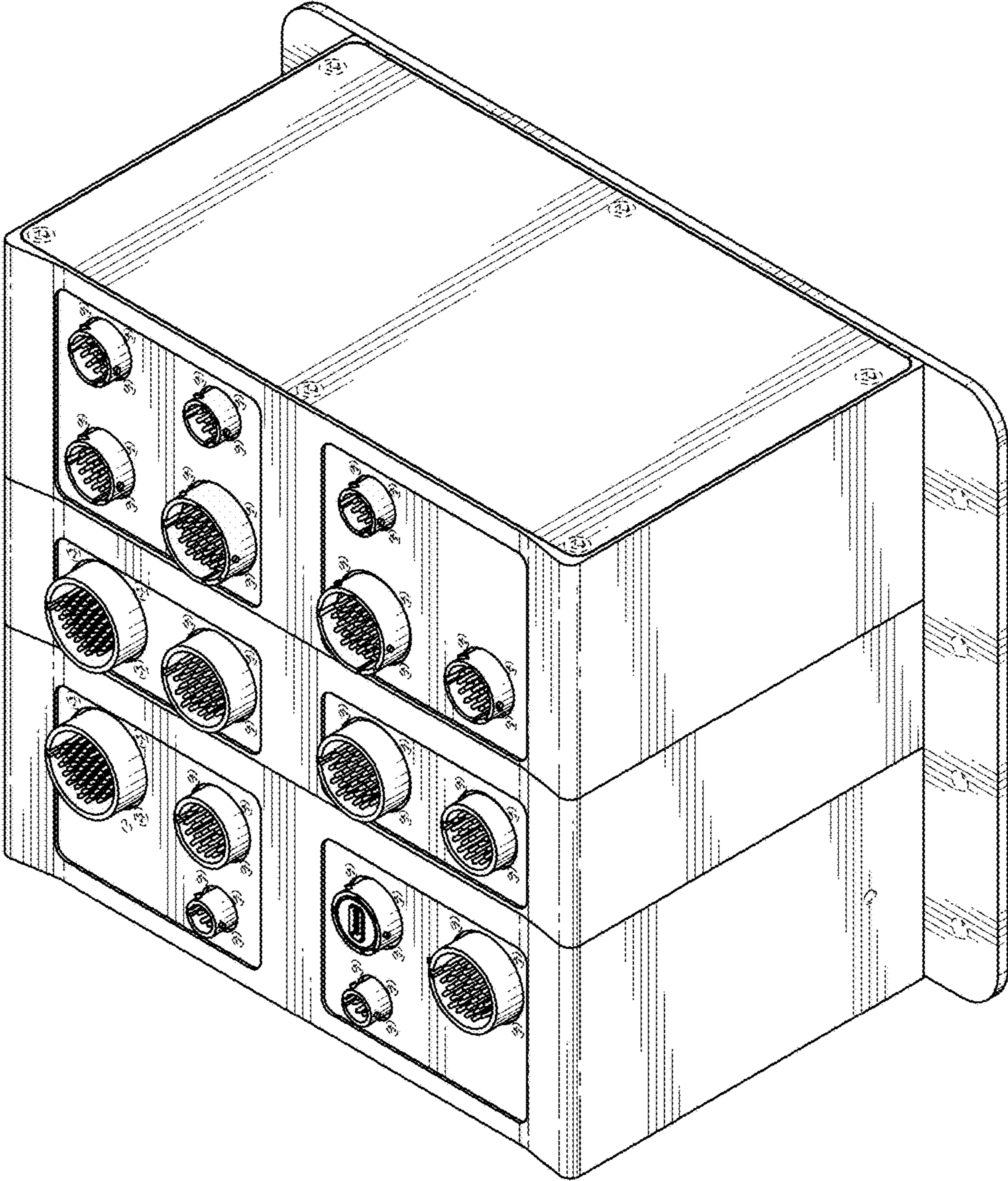


FIG. 1

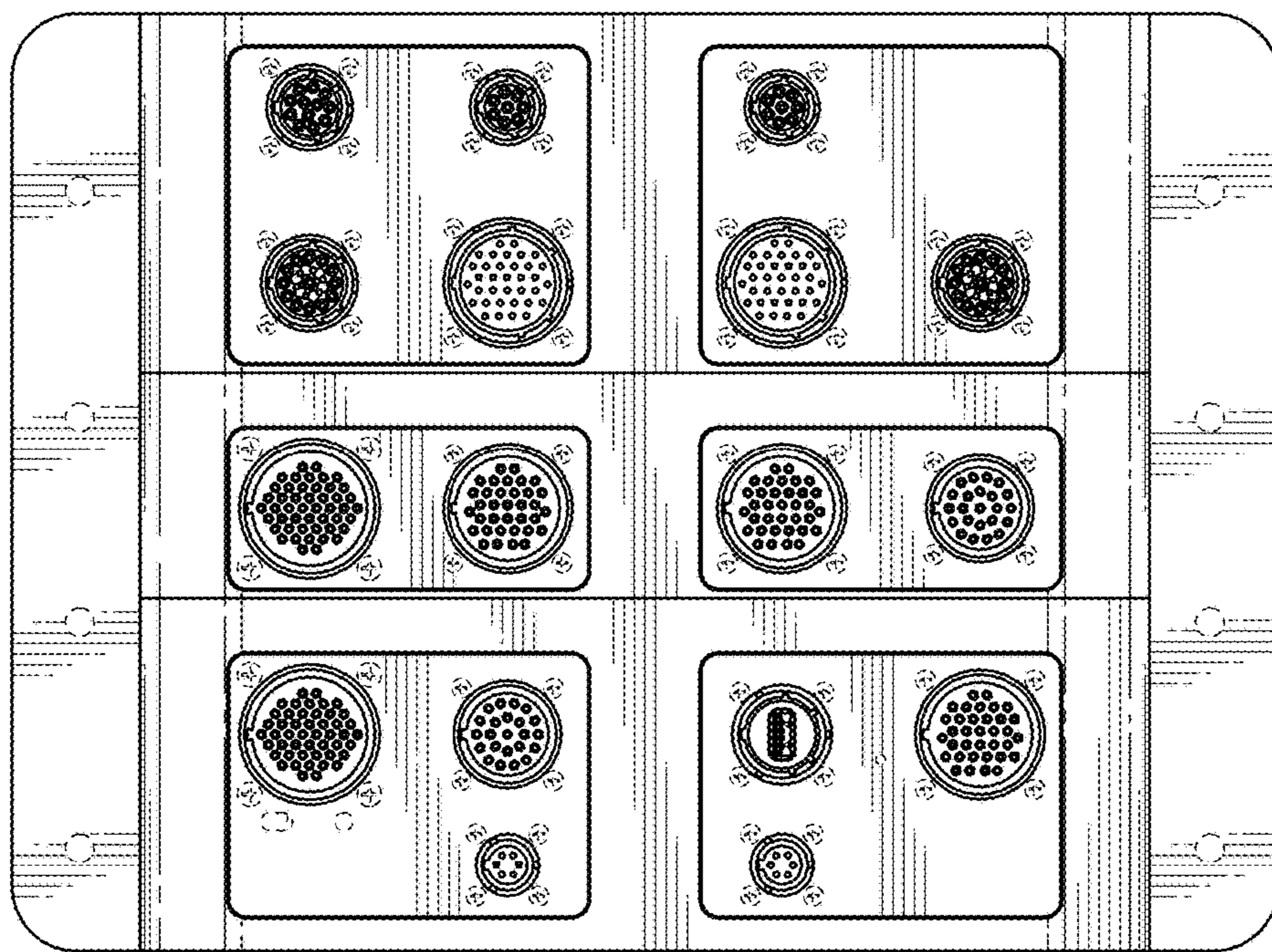


FIG. 2

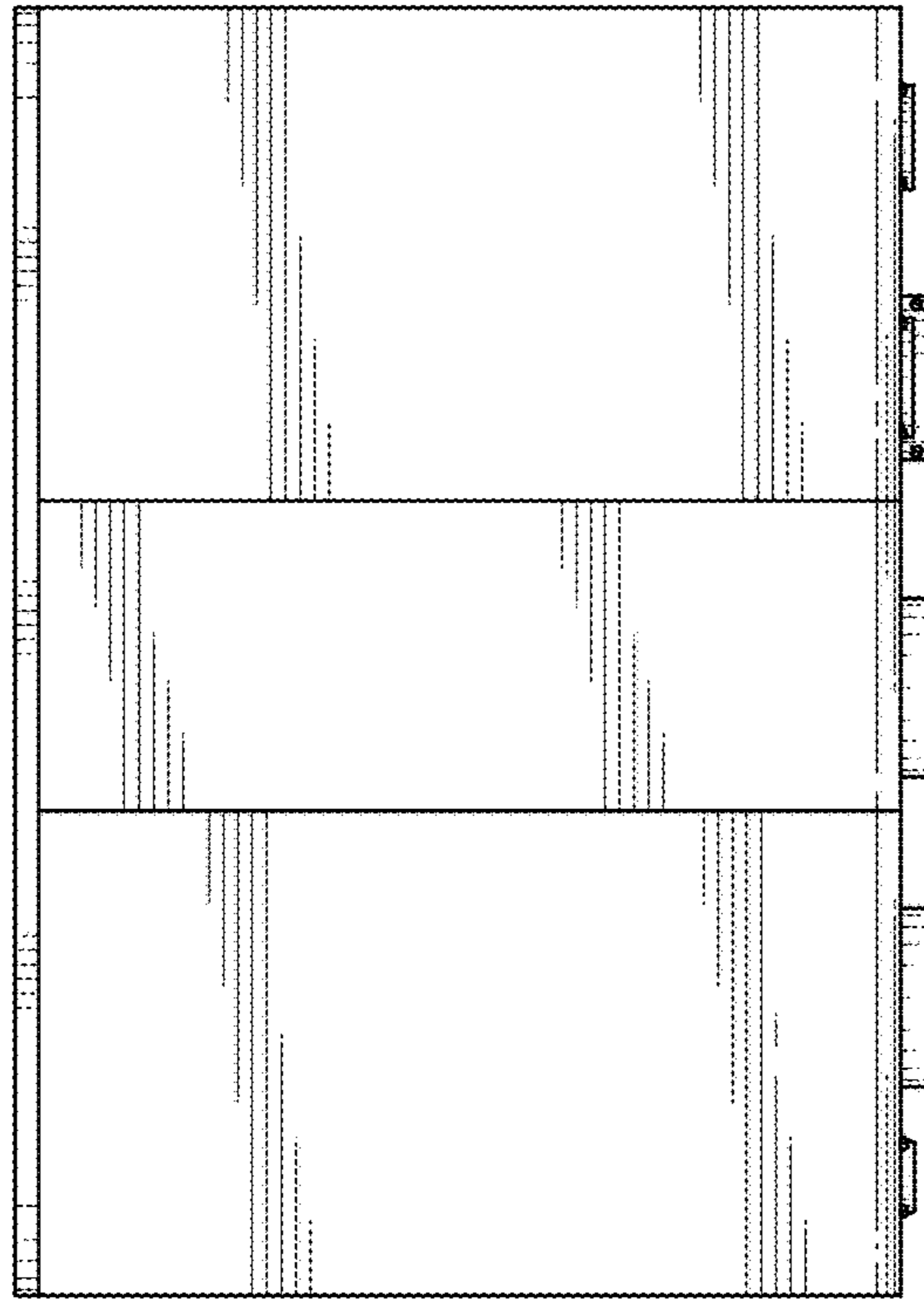


FIG. 3

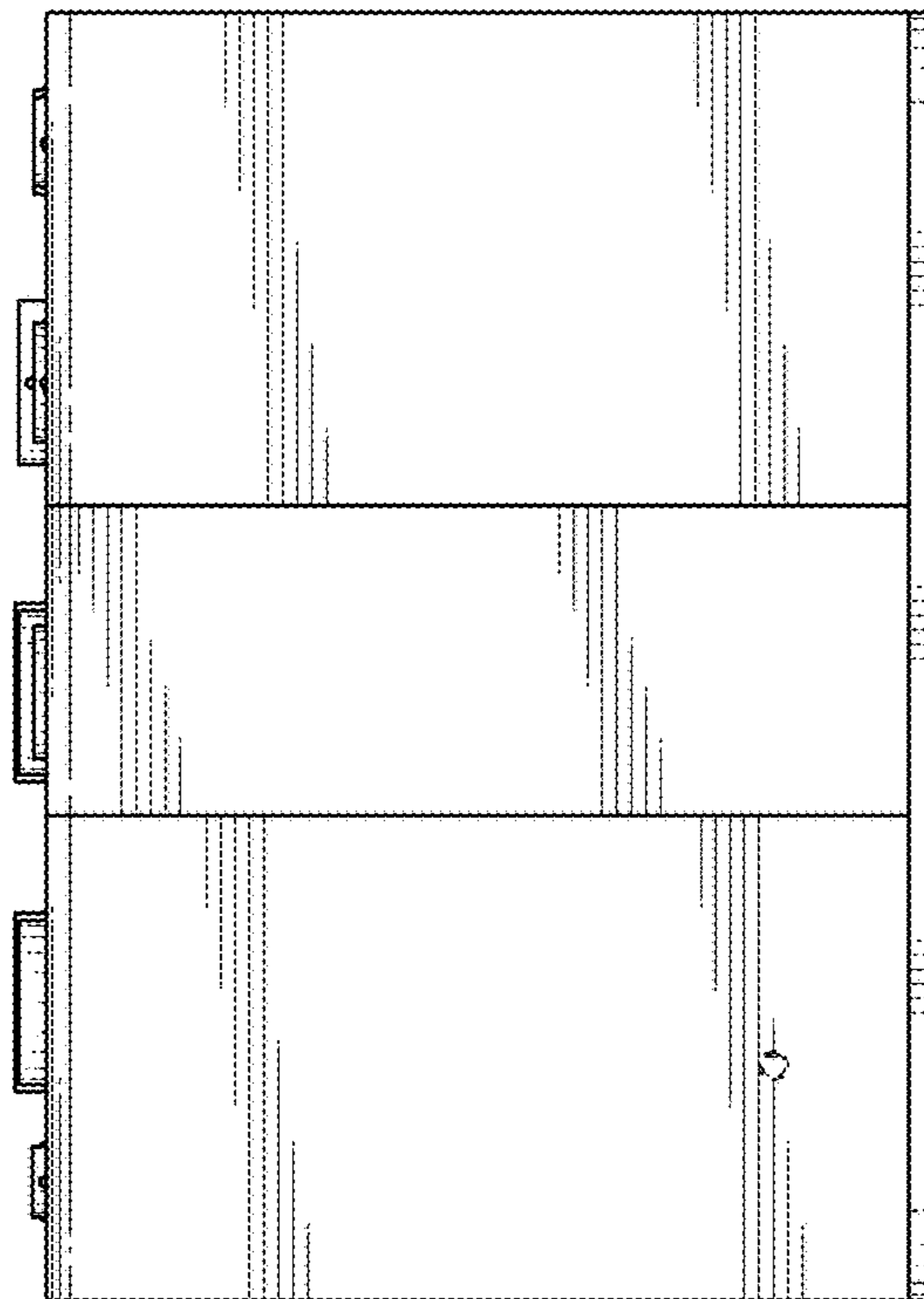


FIG. 4

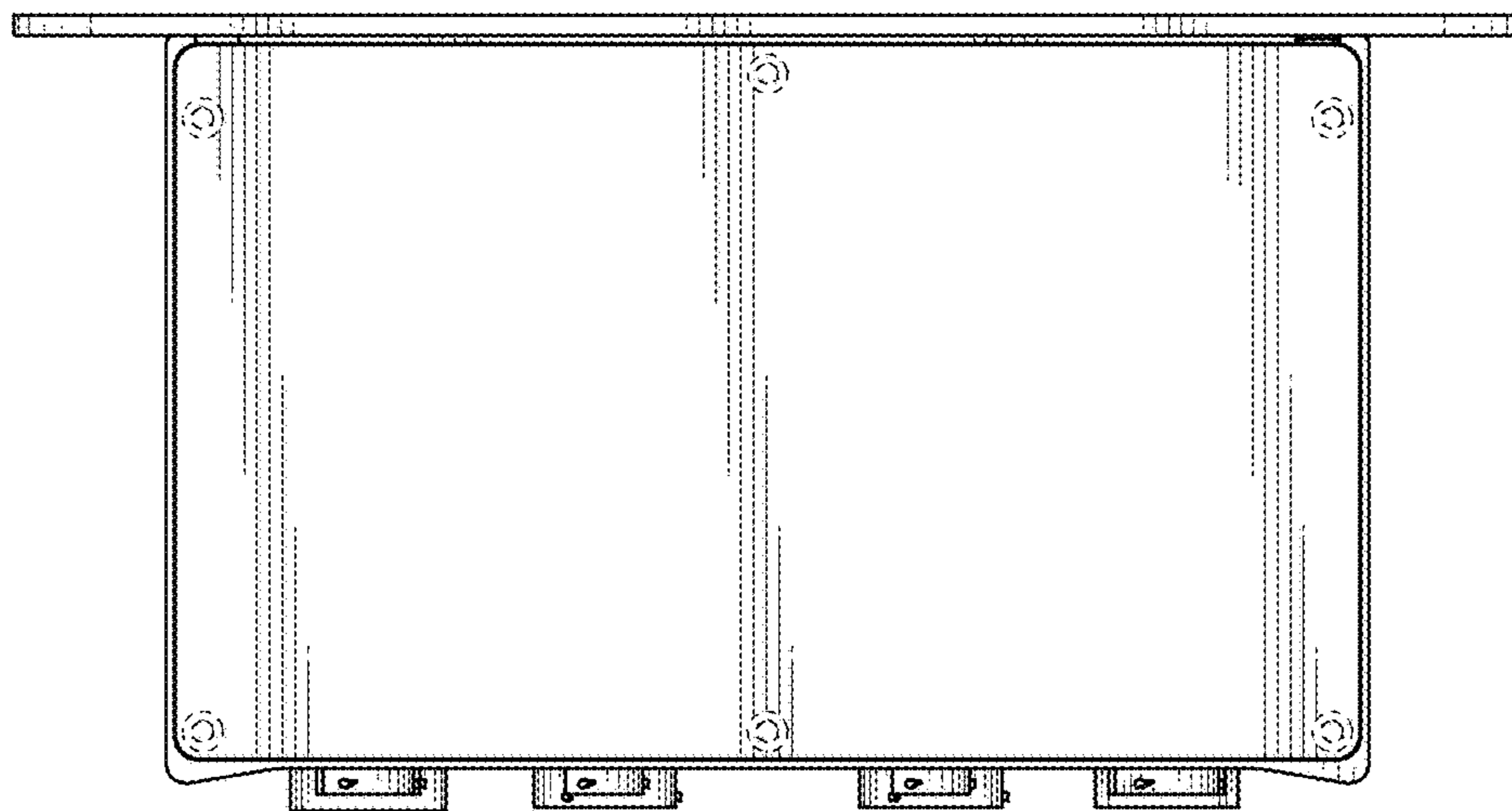


FIG. 5

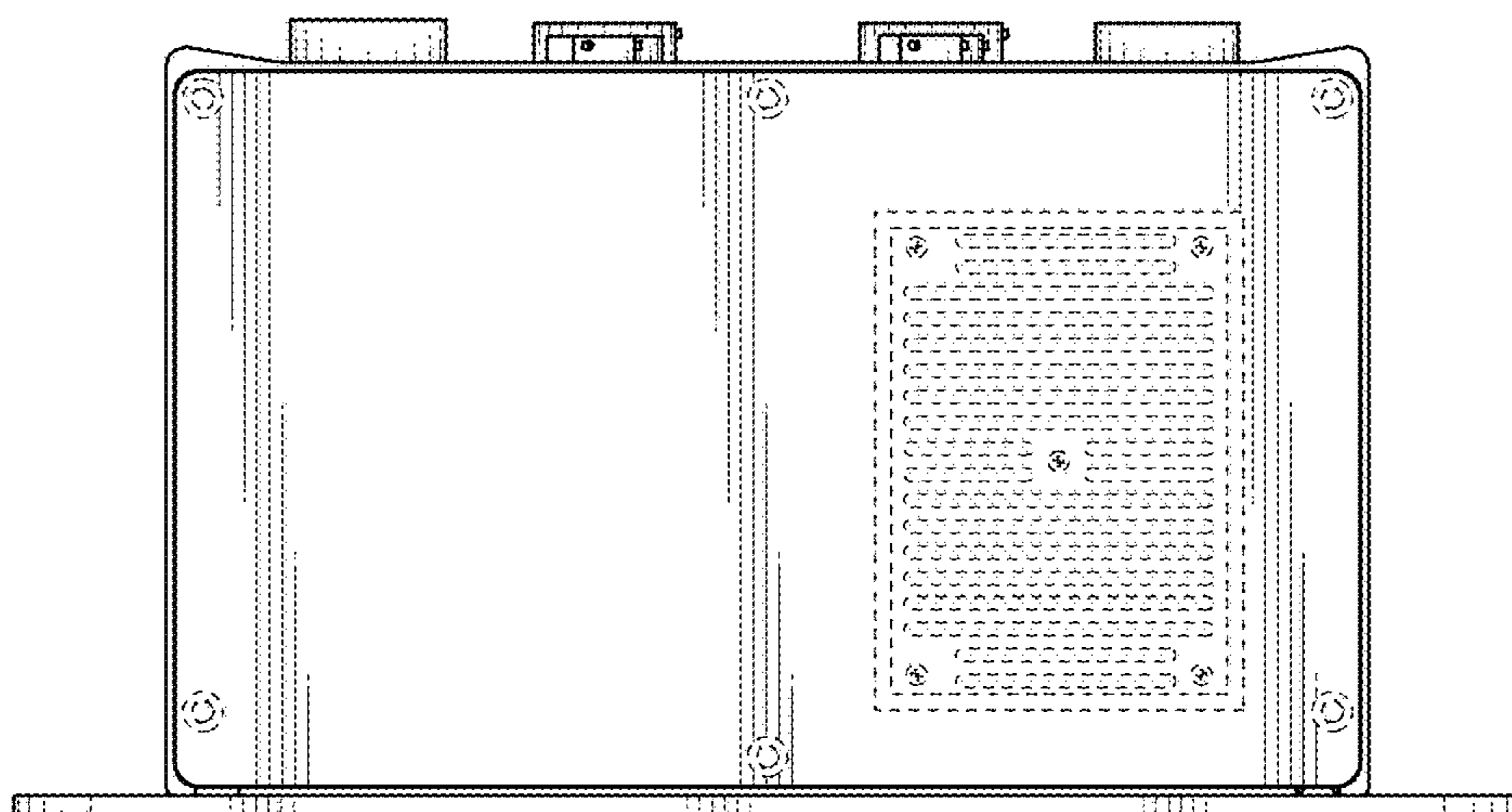


FIG. 6