



US00D853330S

(12) **United States Design Patent**
Dai

(10) **Patent No.:** **US D853,330 S**

(45) **Date of Patent:** **** Jul. 9, 2019**

(54) **BATTERY CLAMP**

(71) Applicant: **Alex Dai**, Taichung (TW)

(72) Inventor: **Alex Dai**, Taichung (TW)

(**) Term: **15 Years**

(21) Appl. No.: **29/551,972**

(22) Filed: **Jan. 19, 2016**

(30) **Foreign Application Priority Data**

Jul. 21, 2015 (TW) 104303897
Jul. 21, 2015 (TW) 104303898

(51) **LOC (11) Cl.** **13-03**

(52) **U.S. Cl.**
USPC **D13/120**

(58) **Field of Classification Search**
USPC D13/103, 107, 108, 110, 119, 120, 149,
D13/184, 199; 320/104, 105
CPC H02J 7/0054; H02J 7/0031; H02J 7/007;
H02J 2001/006; H01R 11/24
See application file for complete search history.

(56) **References Cited**

U.S. PATENT DOCUMENTS

1,547,314 A * 7/1925 Frankel H01R 11/24
24/507
3,090,029 A * 5/1963 Stroebel H01R 11/24
24/500
4,057,313 A * 11/1977 Polizzano H01R 11/18
439/219
D258,818 S * 4/1981 Johnson D13/120
4,913,668 A * 4/1990 Chamberlain H01R 11/24
439/217
4,936,796 A * 6/1990 Anderson, Jr. H01R 31/06
439/504
D346,149 S * 4/1994 Deering D13/120
D408,785 S * 4/1999 Davis D13/120

D416,866 S * 11/1999 Amin D13/149
6,007,373 A * 12/1999 Chew H01R 13/6675
439/500
6,527,585 B1 * 3/2003 Pannone H01R 11/24
439/504
D597,029 S * 7/2009 Li D13/120
7,598,699 B2 * 10/2009 Restaino G01R 31/3624
320/105
D625,265 S * 10/2010 Dumelle D13/120
D649,116 S * 11/2011 Nakatsuka D13/120
D689,020 S * 9/2013 Demirjian D13/120
D718,999 S * 12/2014 Robinson D8/72
D726,109 S * 4/2015 Nook D13/120
D738,307 S * 9/2015 Nook D13/120
D738,825 S * 9/2015 Nook D13/120

(Continued)

Primary Examiner — Derrick E Holland

Assistant Examiner — Jennifer O King

(74) *Attorney, Agent, or Firm* — Muncy, Geissler, Olds & Lowe, P.C.

(57) **CLAIM**

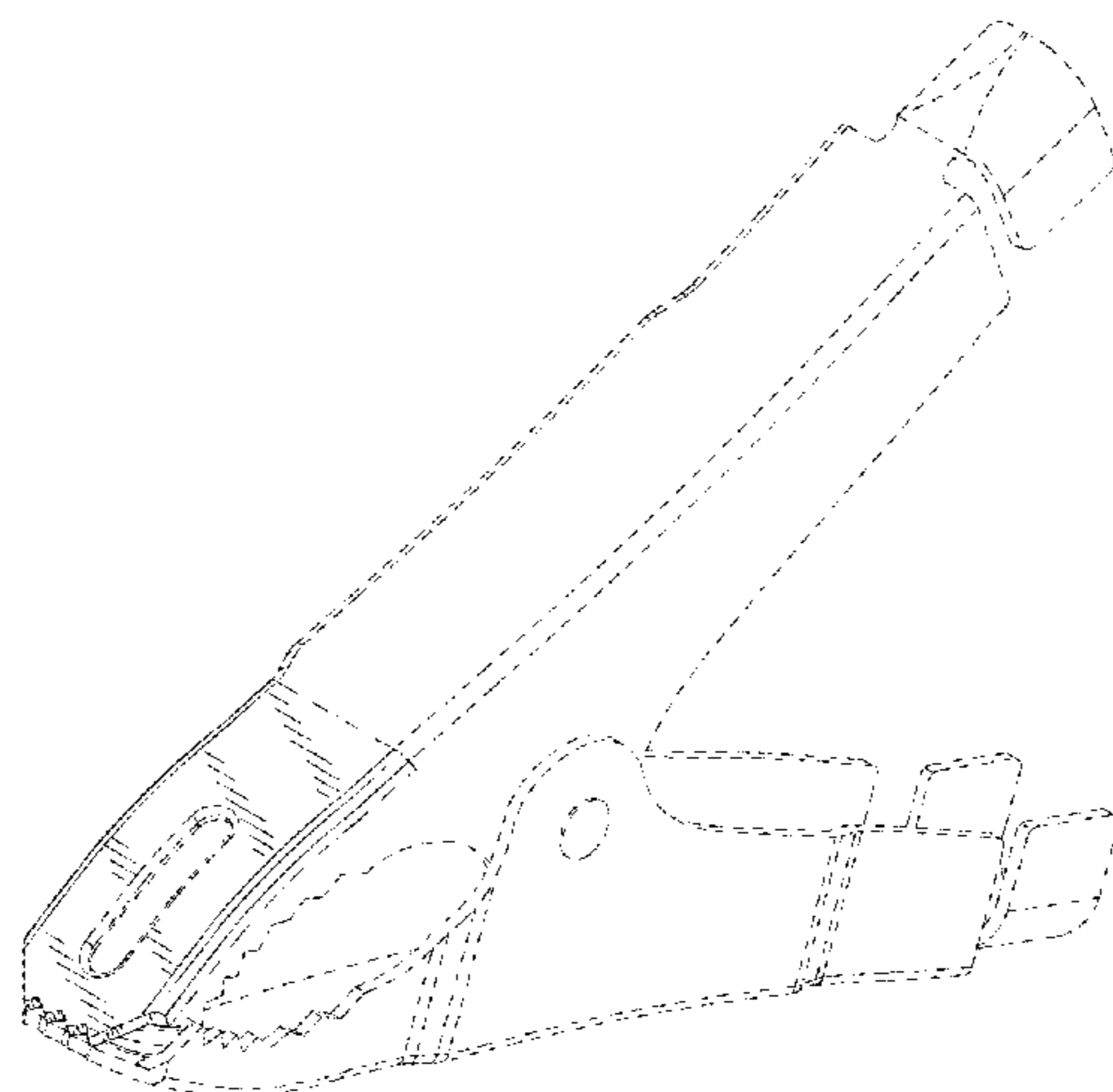
I claim the ornamental design for a battery clamp, as shown and described.

DESCRIPTION

FIG. 1 is a perspective view of a battery clamp showing my new design;
FIG. 2 is a front elevational view thereof;
FIG. 3 is a left side view thereof;
FIG. 4 is a right side view thereof;
FIG. 5 is a top plan view thereof; and,
FIG. 6 is a perspective view thereof showing the battery clamp in use.

The broken lines shown depict portions of the battery clamp that form no part of the claimed design.
The dot-dashed line in the figures defines the boundary of claimed and unclaimed objects, and the dot-dashed line forms no part of the claimed design.

1 Claim, 5 Drawing Sheets



(56)

References Cited

U.S. PATENT DOCUMENTS

D746,774 S * 1/2016 Nook D13/120
D794,565 S * 8/2017 Vetu D13/120

* cited by examiner

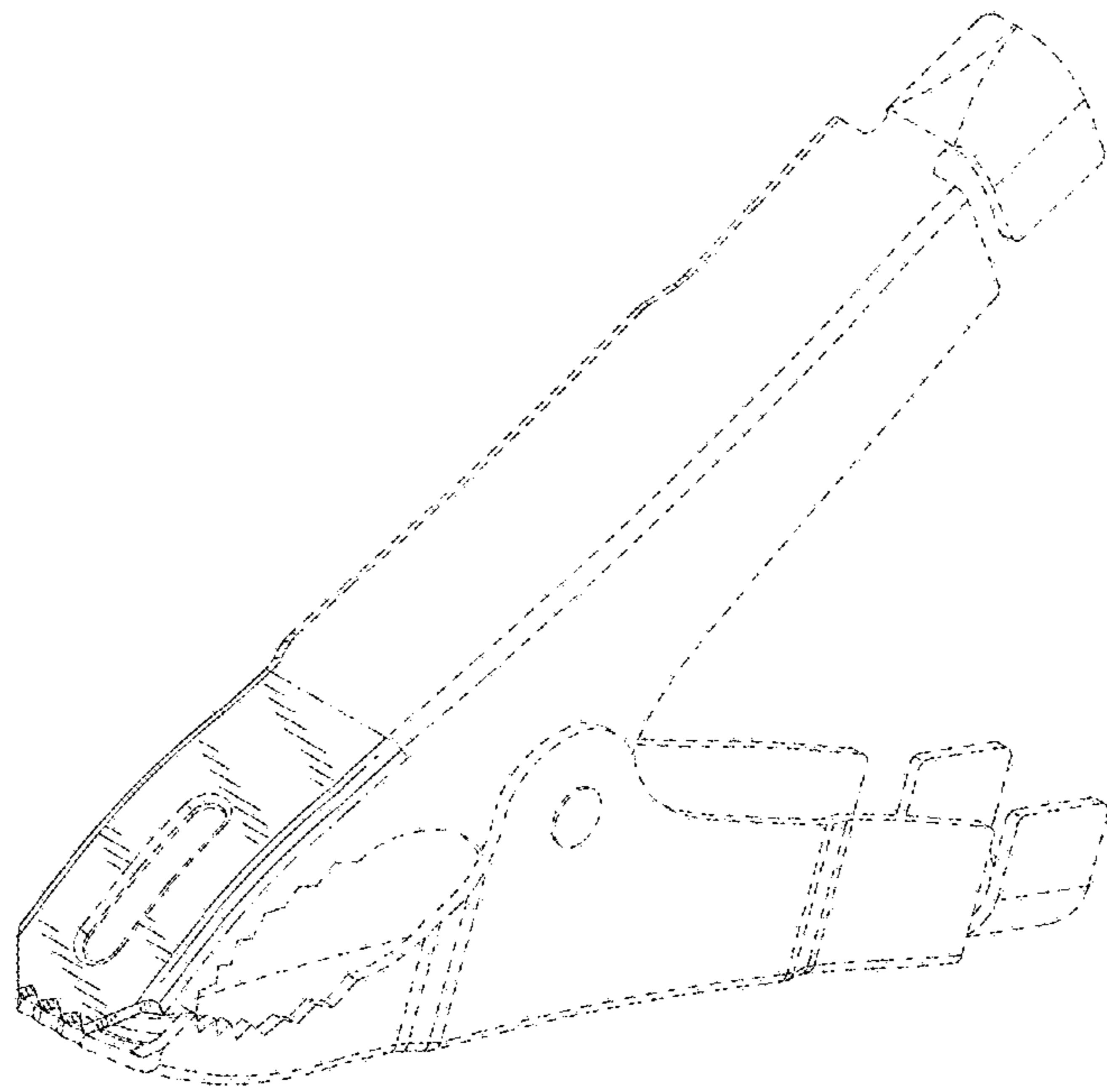


FIG. 1

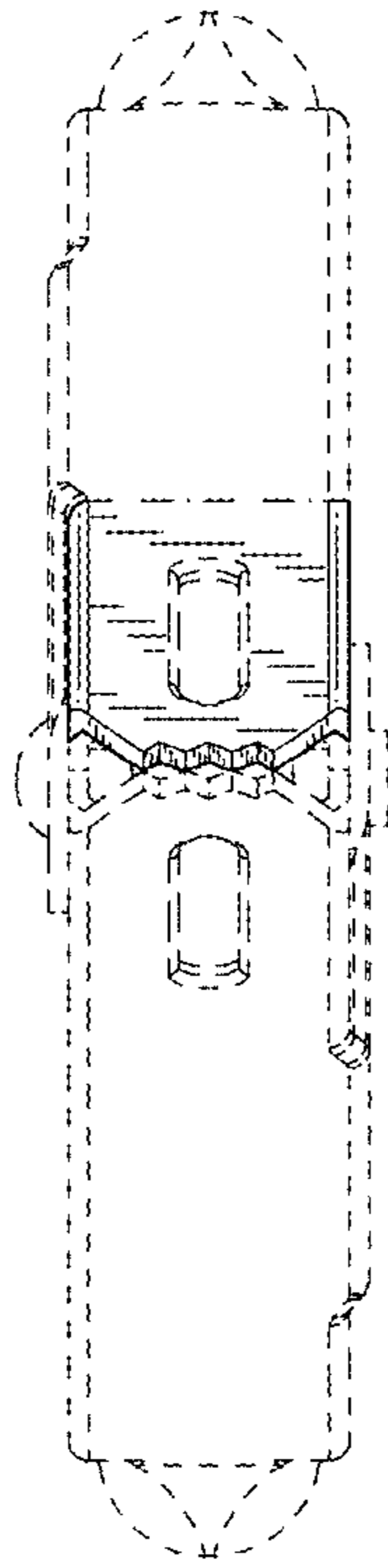


FIG. 2

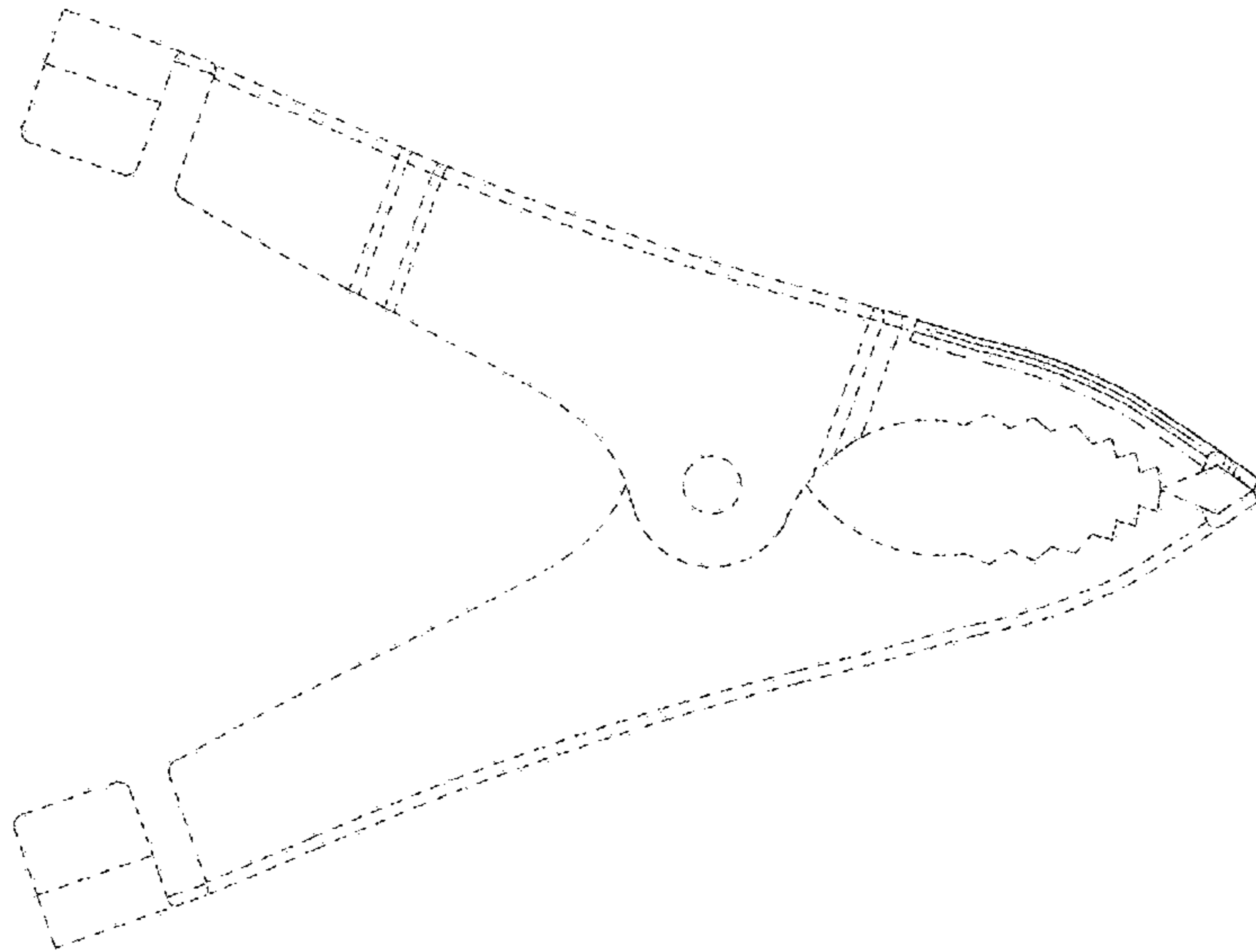


FIG. 3

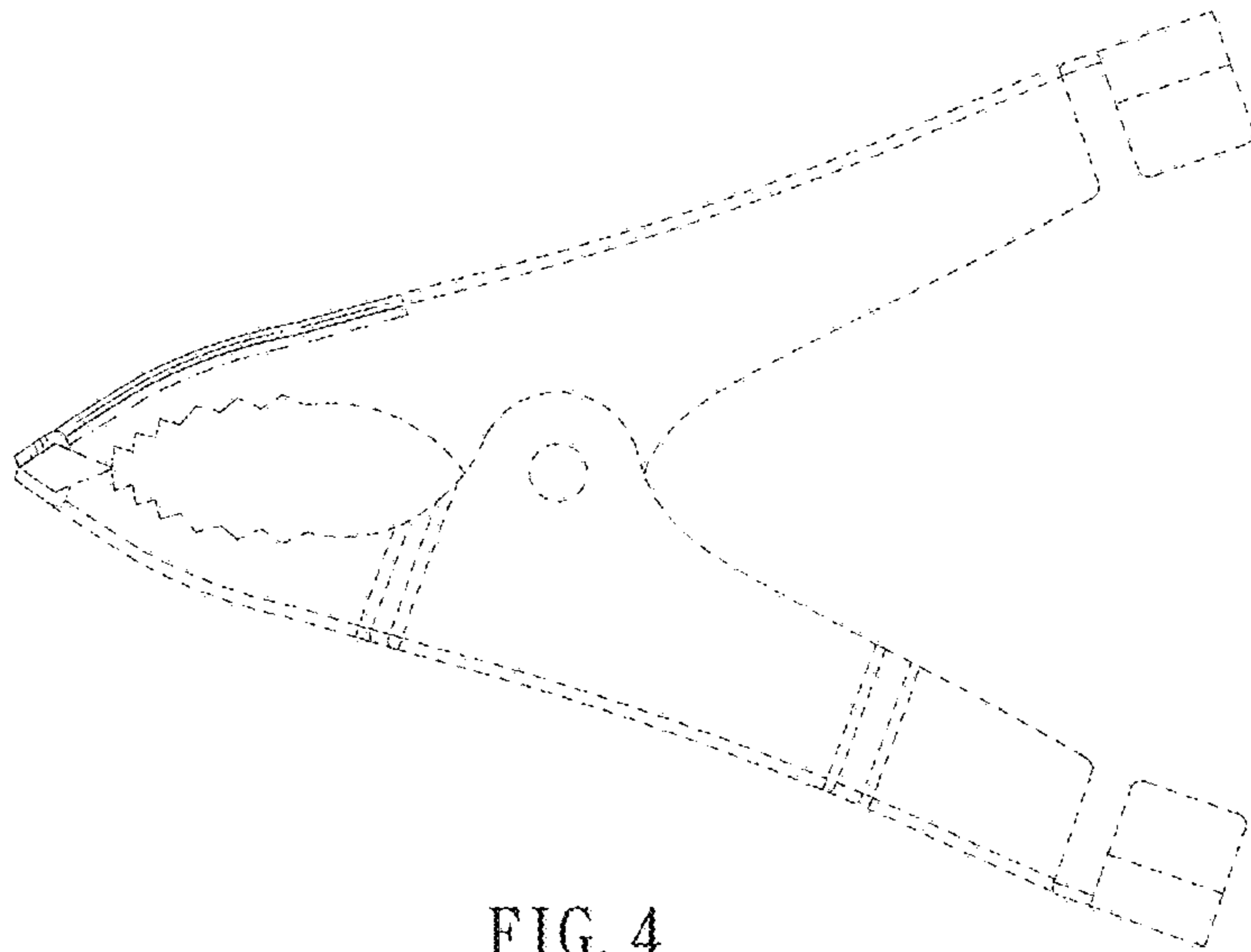


FIG. 4

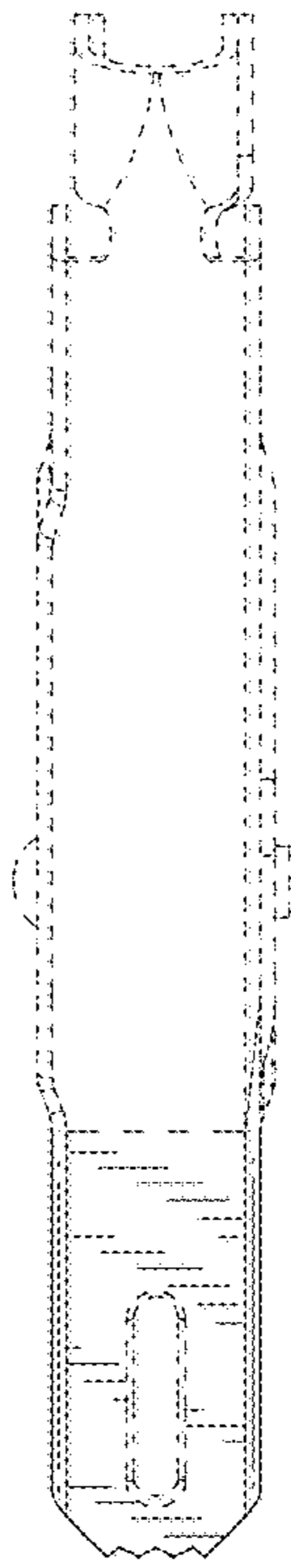


FIG. 5

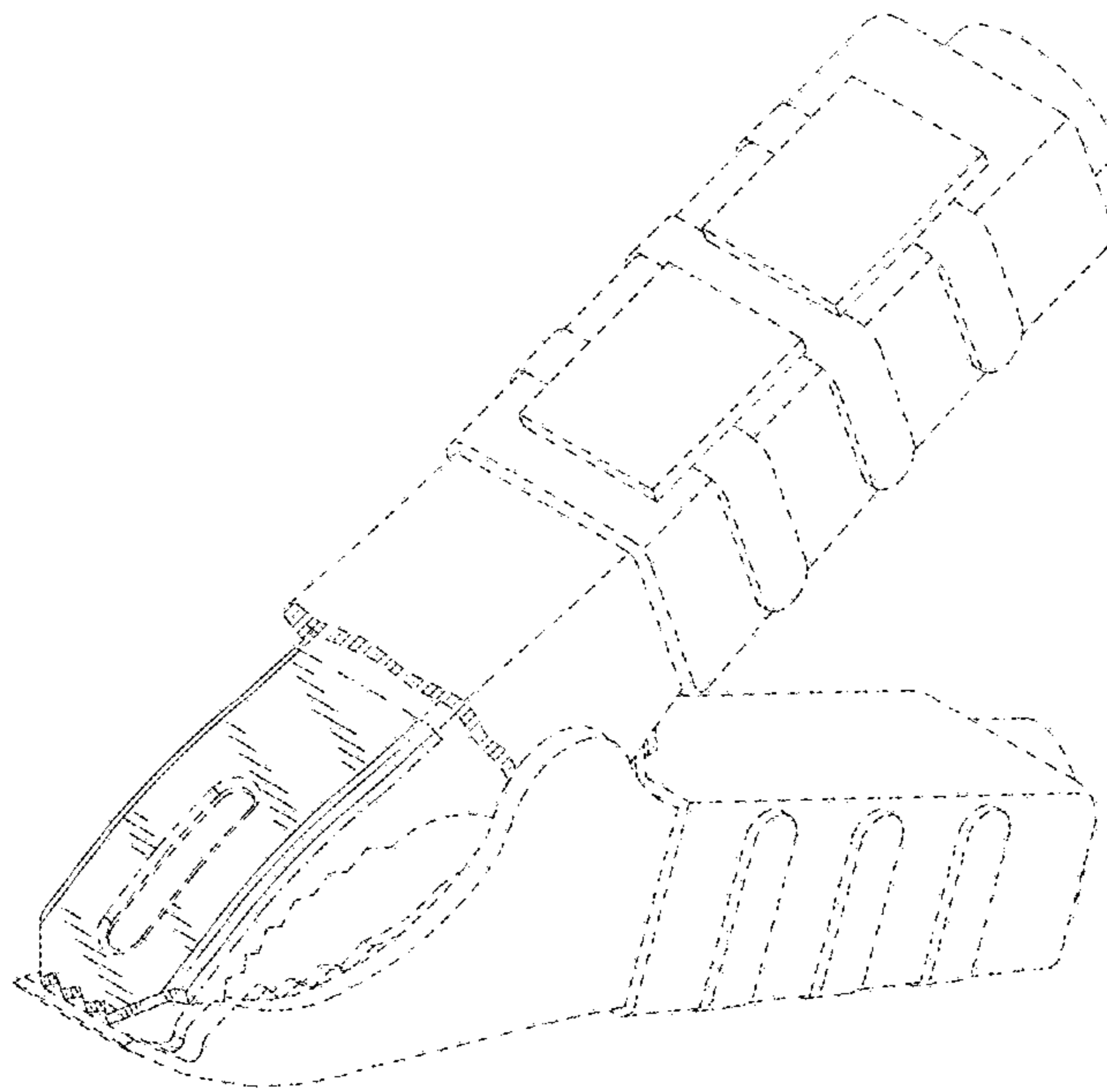


FIG. 6