



US00D853328S

(12) **United States Design Patent**
Xiong

(10) **Patent No.:** **US D853,328 S**

(45) **Date of Patent:** **** Jul. 9, 2019**

(54) **CAR INVERTER**

(71) Applicant: **Shenzhen Segre Electronics Co.,Ltd,**
Shenzhen (CN)

(72) Inventor: **Wanglong Xiong,** Shenzhen (CN)

(**) Term: **15 Years**

(21) Appl. No.: **29/622,553**

(22) Filed: **Oct. 18, 2017**

(51) **LOC (11) Cl.** **13-02**

(52) **U.S. Cl.**
USPC **D13/110**

(58) **Field of Classification Search**
USPC D13/110, 108, 118, 123, 162, 168, 169,
D13/174, 177, 184, 199; D14/257, 432,
D14/438; 174/16.3, 17 R, 17.08;
361/600, 601, 690, 694, 695, 679.01,
361/679.61, 704, 730; 363/141, 142
CPC H05K 5/00; H05K 5/02; H05K 5/0247;
H05K 7/00; H05K 7/20; H05K 7/20136;
H05K 7/20154; H05K 7/209; H02M 7/00;
H02M 7/003; H02J 7/0042; Y10T
307/367

See application file for complete search history.

(56) **References Cited**

U.S. PATENT DOCUMENTS

- 3,460,246 A * 8/1969 Hatton H01F 5/02
219/68
- 3,585,553 A * 6/1971 Muckelroy H01F 5/04
336/192

- 4,872,102 A * 10/1989 Getter H02M 7/003
363/141
- 5,949,640 A * 9/1999 Cameron H05K 5/0247
361/600
- D496,629 S * 9/2004 Hriscu D13/110
- 6,819,214 B2 * 11/2004 Elliott H01F 27/292
336/192
- D544,438 S * 6/2007 Hussaini D13/110
- 7,272,008 B2 * 9/2007 Hussaini H02J 7/0042
361/601
- 7,304,852 B2 * 12/2007 Hernandez H05K 5/0247
174/50
- D742,826 S * 11/2015 Hetzroni D13/110
- D785,565 S * 5/2017 Xu D13/110

* cited by examiner

Primary Examiner — Derrick E. Holland

(74) *Attorney, Agent, or Firm* — W&K IP

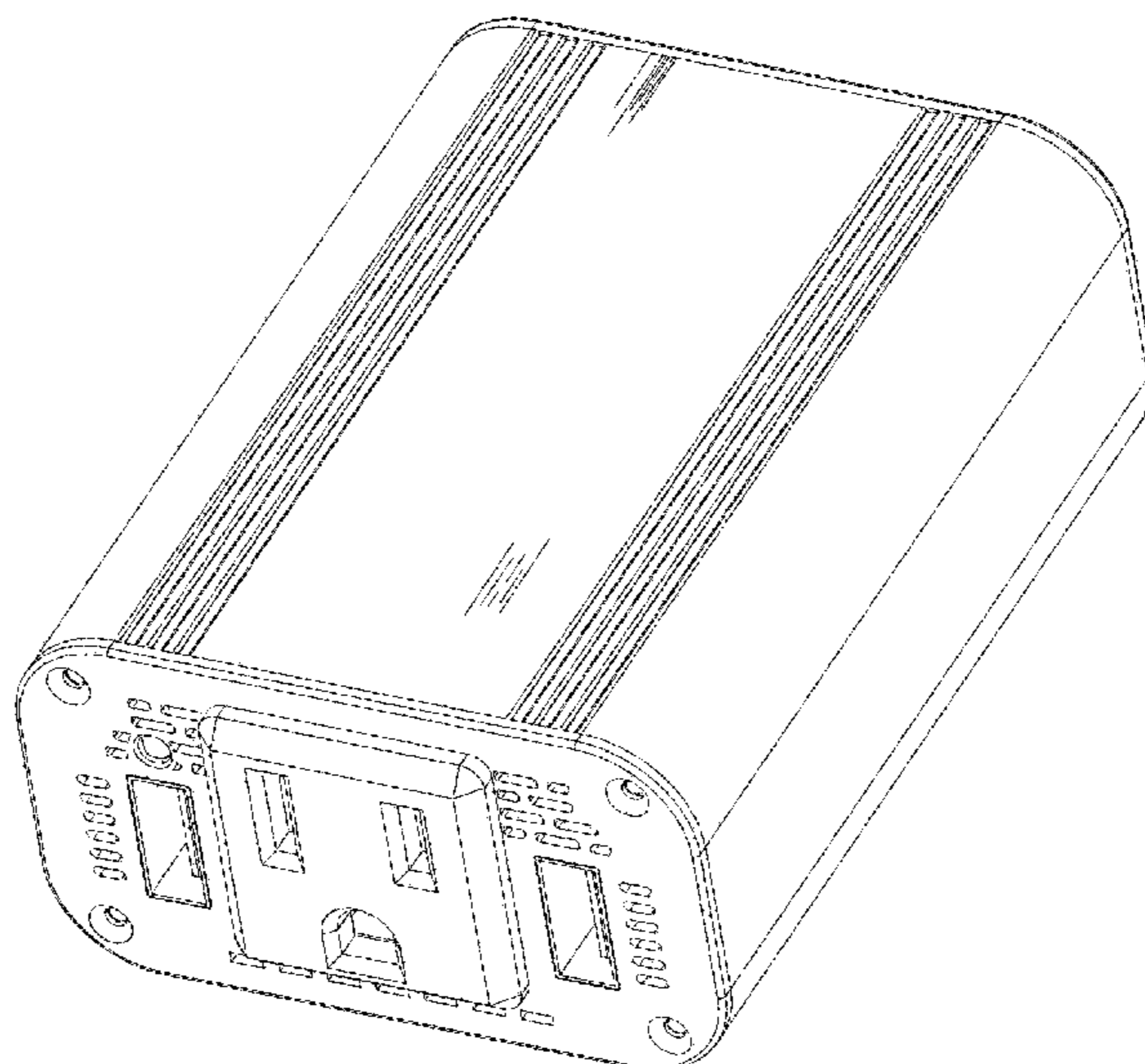
(57) **CLAIM**

The ornamental design for a car inverter, as shown and described.

DESCRIPTION

FIG. 1 is a perspective view of a car inverter showing my new design;
 FIG. 2 is another perspective view thereof;
 FIG. 3 is a front elevational view thereof;
 FIG. 4 is a back elevational view thereof;
 FIG. 5 is a left side elevational view thereof;
 FIG. 6 is a right side elevational view thereof;
 FIG. 7 is a top plan view thereof; and,
 FIG. 8 is a bottom plan view thereof.

1 Claim, 8 Drawing Sheets



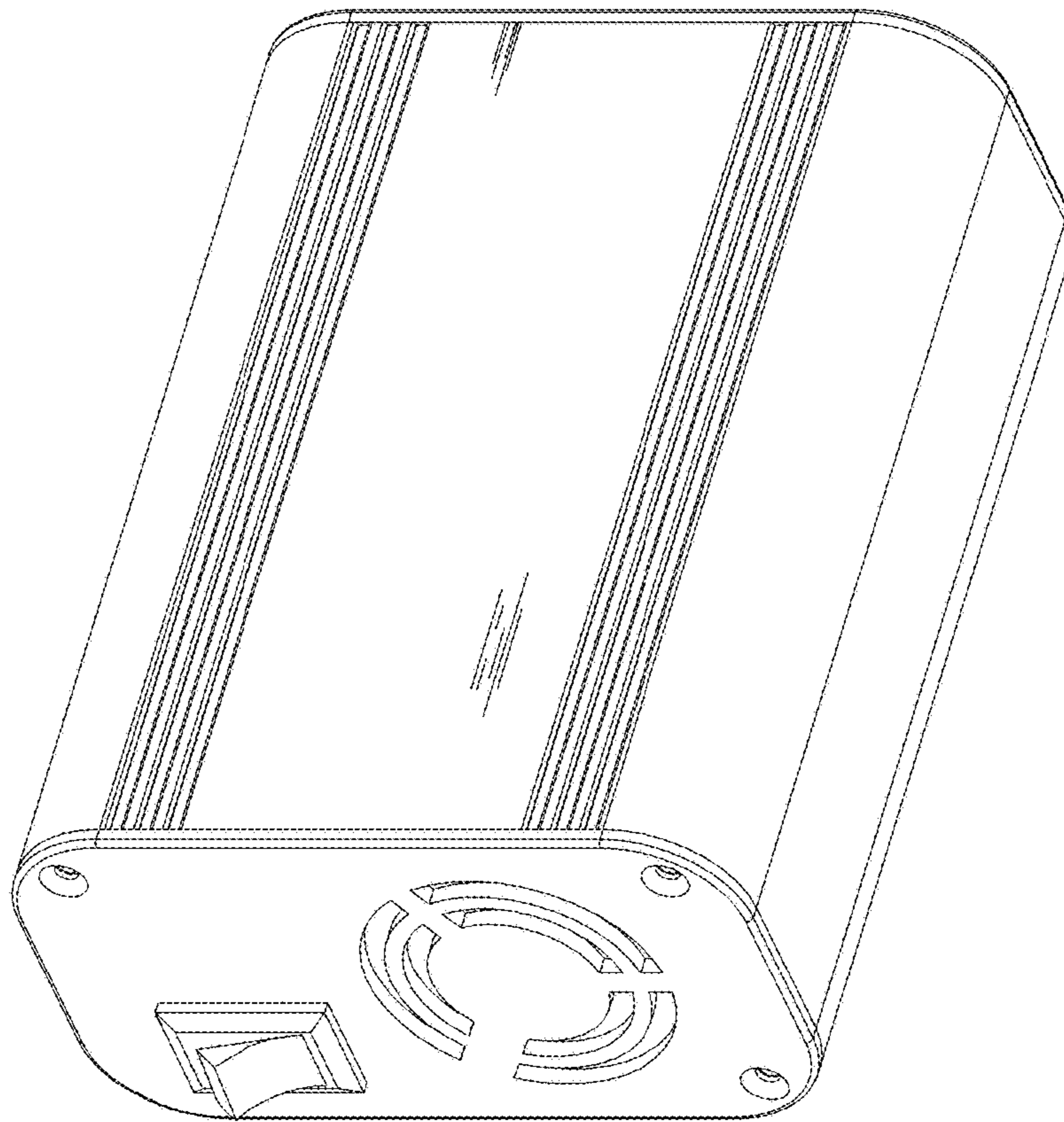


FIG. 1

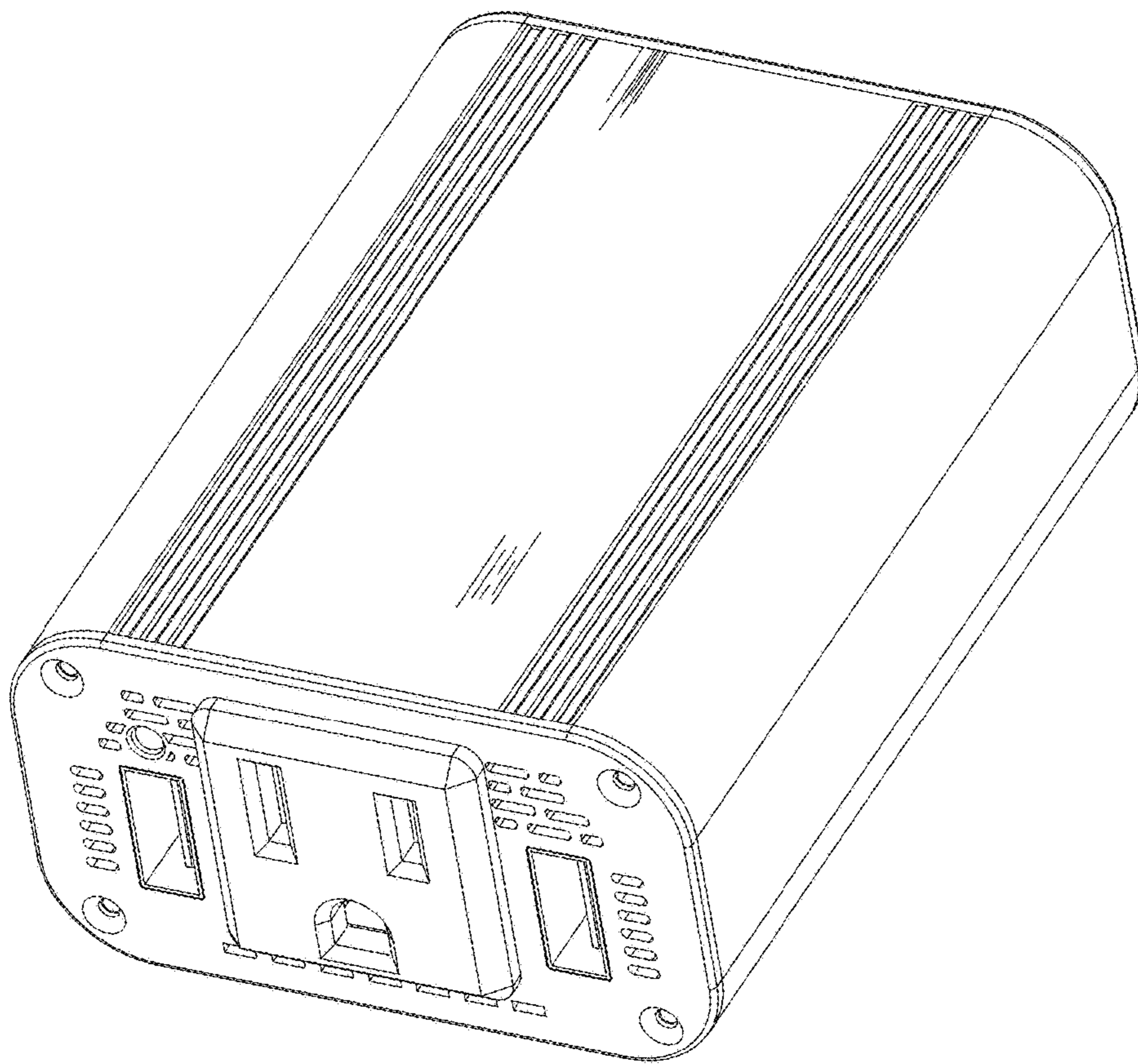


FIG.2

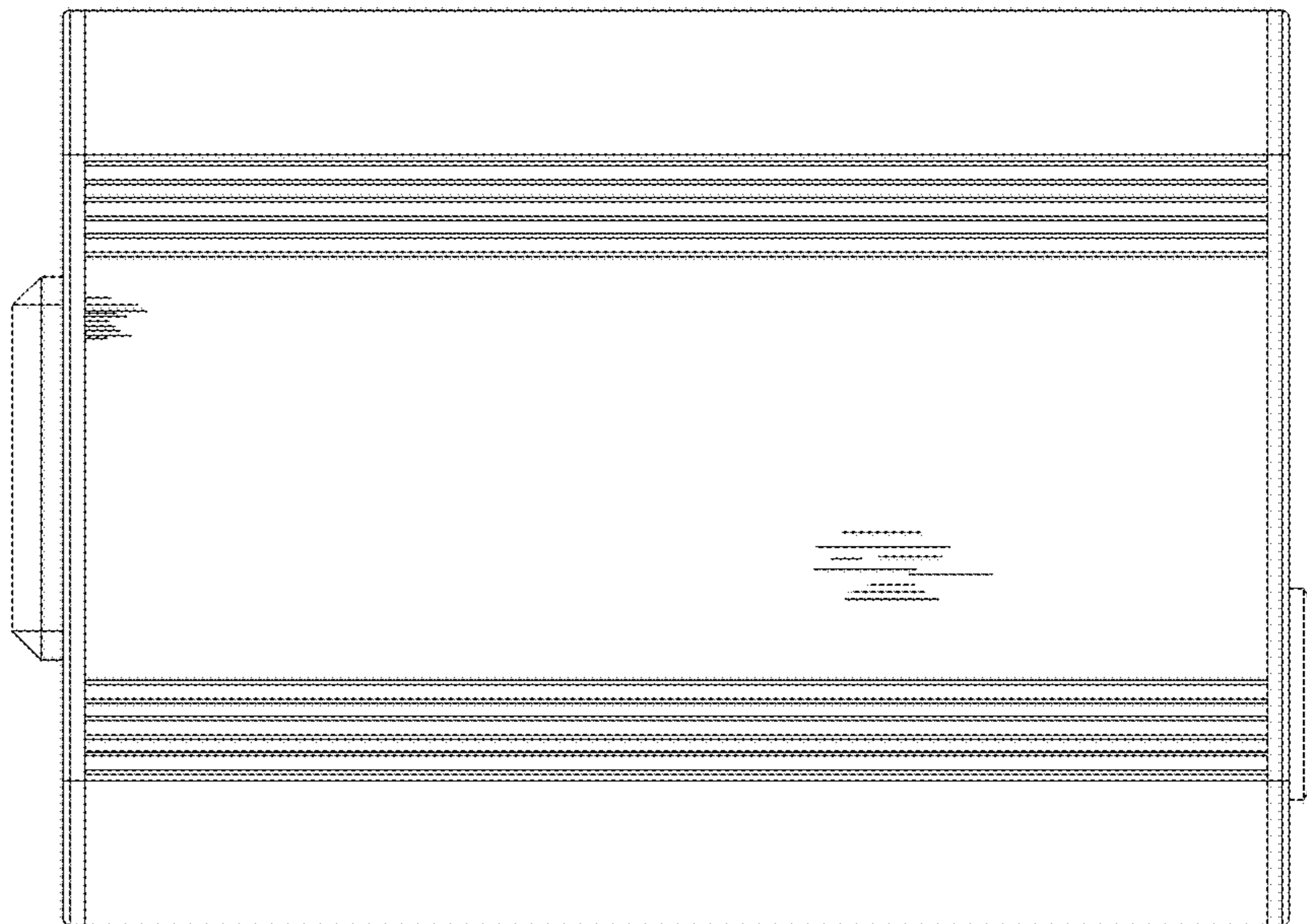


FIG. 3

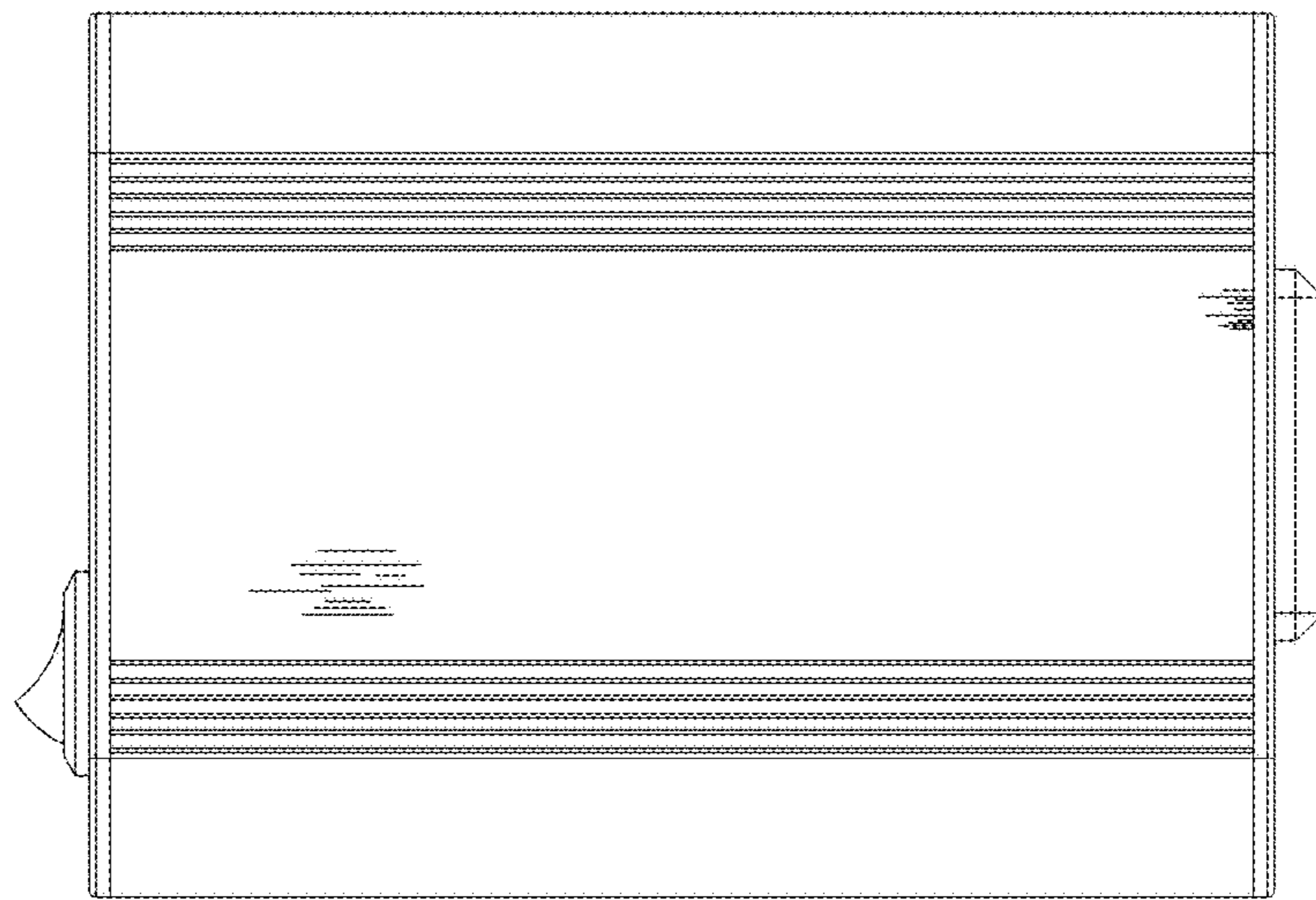


FIG. 4

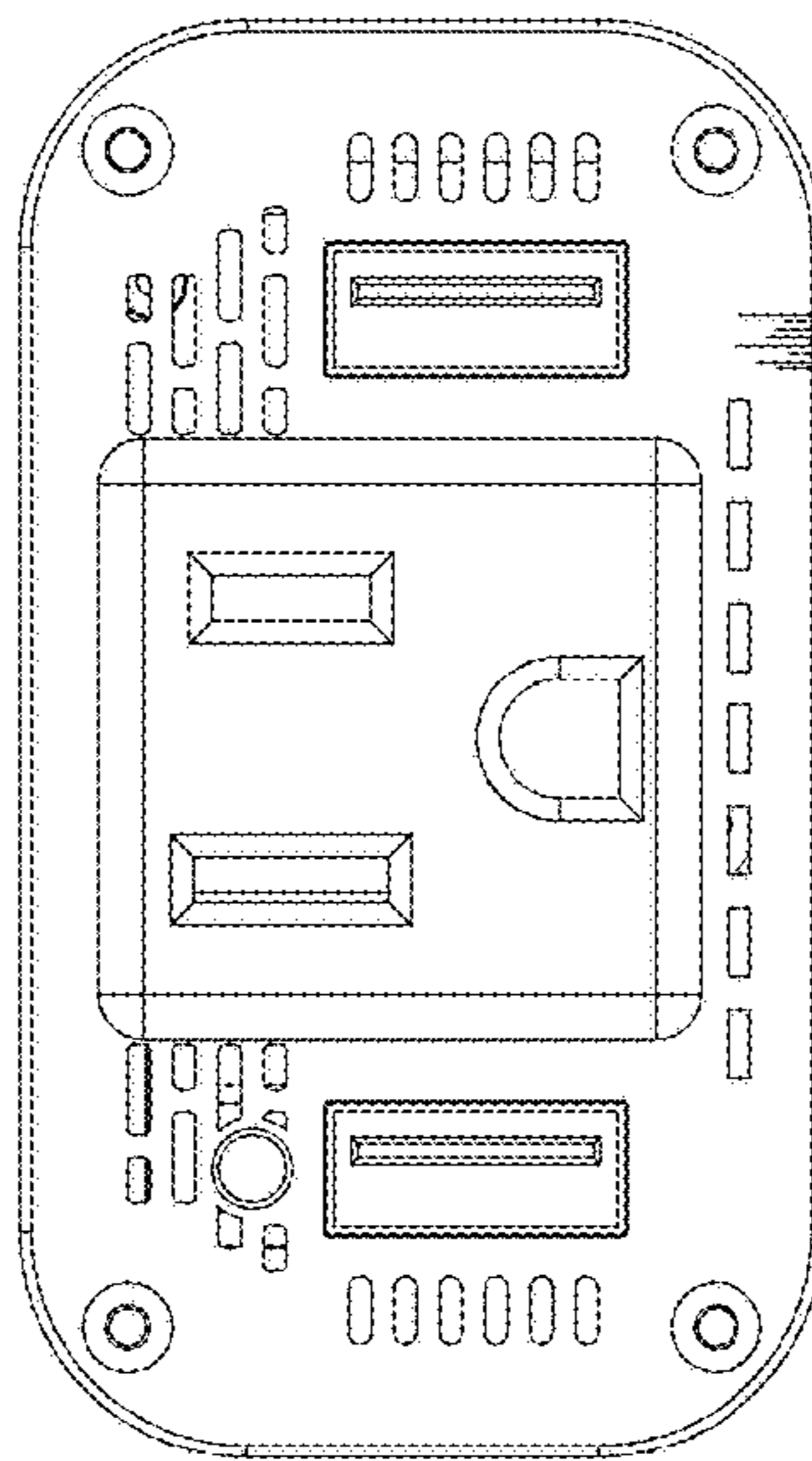


FIG.5

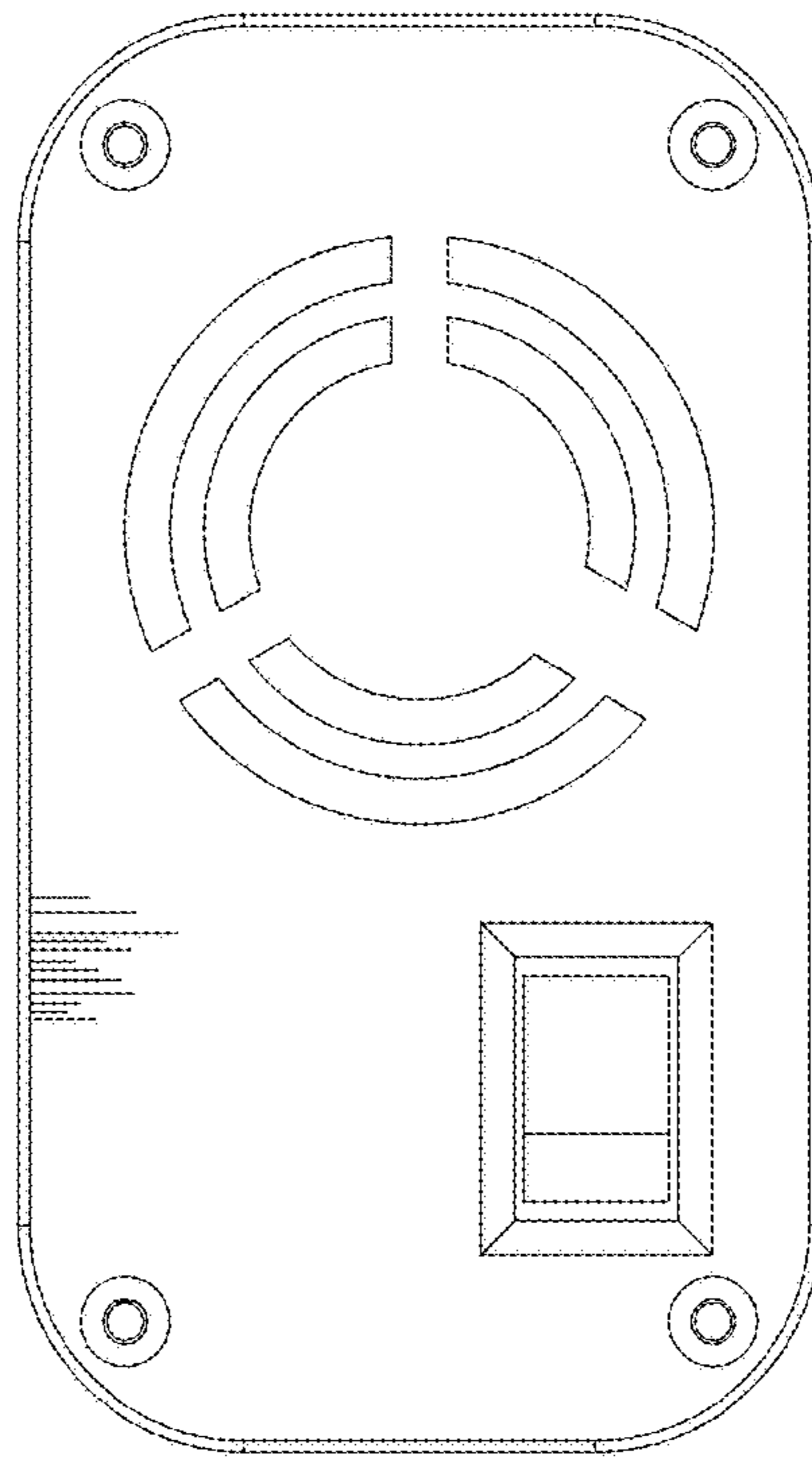


FIG.6

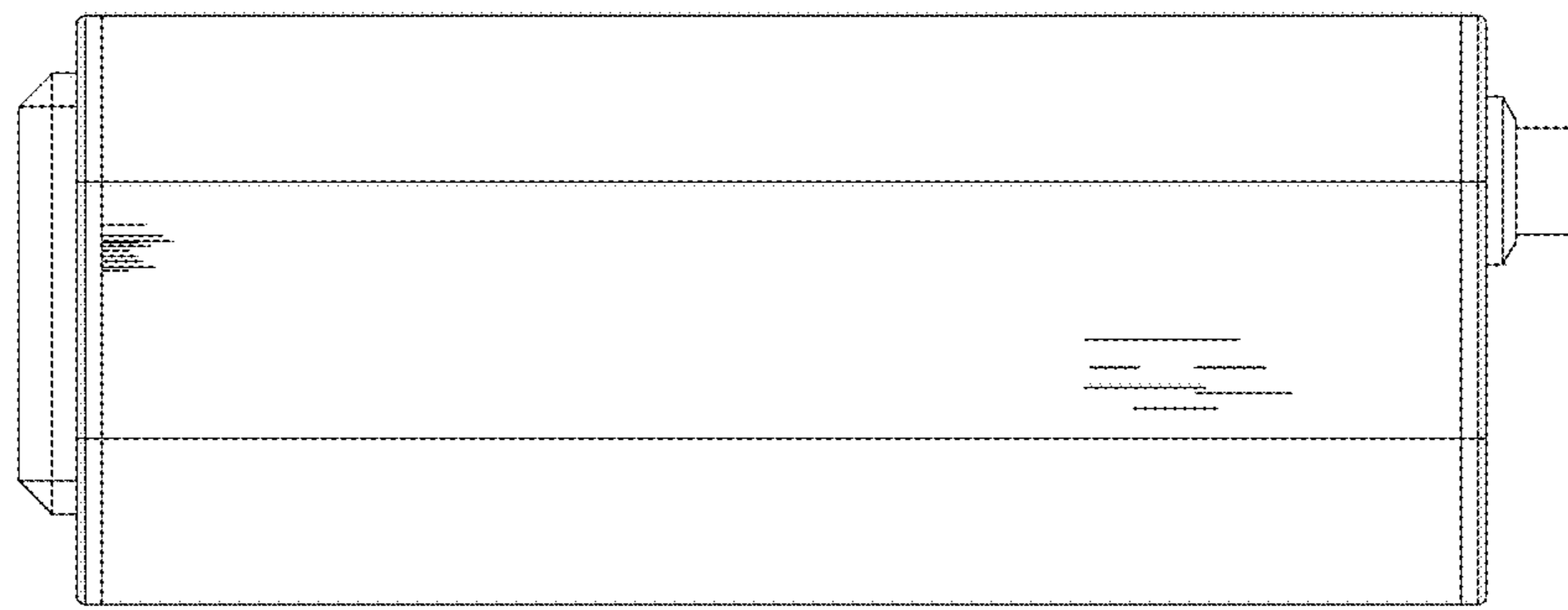


FIG.7

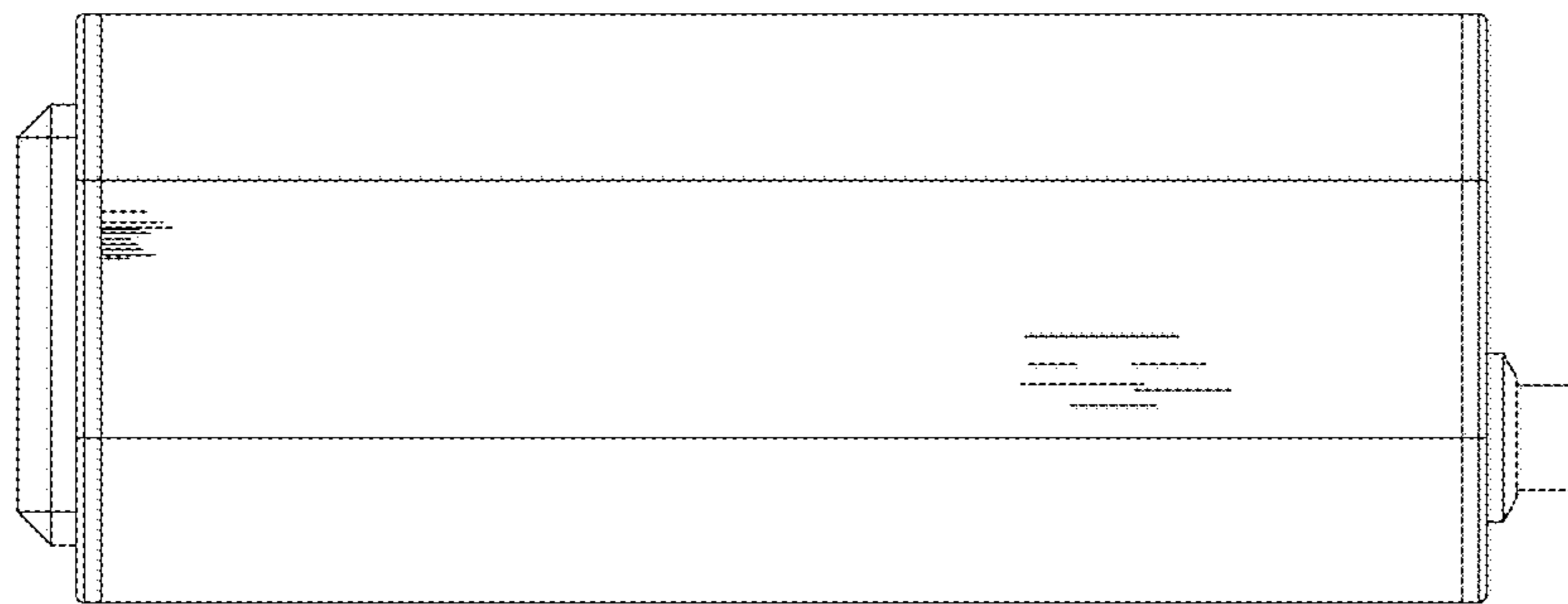


FIG. 8