



US00D853327S

(12) **United States Design Patent**
Tschopp

(10) **Patent No.:** **US D853,327 S**

(45) **Date of Patent:** **** Jul. 9, 2019**

(54) **ELECTRIC DEVICE**

(71) Applicant: **Black & Decker Inc.**, New Britain, CT (US)

(72) Inventor: **Tylan A. Tschopp**, Baltimore, MD (US)

(73) Assignee: **BLACK & DECKER INC.**, New Britain, CT (US)

(**) Term: **15 Years**

(21) Appl. No.: **29/587,093**

(22) Filed: **Dec. 9, 2016**

(51) **LOC (11) Cl.** **13-02**

(52) **U.S. Cl.**
USPC **D13/109**

(58) **Field of Classification Search**
USPC D13/107, 109, 110, 112, 113, 114, 115,
D13/116, 122

CPC H01M 2/02; H01M 2/0237; H01M 2/0205;
H01M 2/1005; H01M 2/12; Y02E 40/00;
Y02E 60/10; Y02E 60/12; Y02E 60/60;
F02B 63/00; F02B 63/04; F02B 63/043;
F02B 63/048; F02B 63/045; H02K 5/00;
H02K 7/18

See application file for complete search history.

(56) **References Cited**

U.S. PATENT DOCUMENTS

D122,482 S *	9/1940	Fletcher	D10/77
D134,818 S *	1/1943	Fletcher	D10/77
D240,836 S *	8/1976	Corvette	D13/109
D248,942 S *	8/1978	Kniss	D13/109
D664,090 S *	7/2012	Inskeep	D13/107
D811,325 S *	2/2018	Inskeep	D13/107
D812,561 S *	3/2018	Inskeep	D13/107

* cited by examiner

Primary Examiner — Daniel D Bui

(74) *Attorney, Agent, or Firm* — Adan Ayala

(57) **CLAIM**

The ornamental design for an electric device, as shown and described.

DESCRIPTION

FIG. 1 is a front perspective view of an electric device according to my invention.

FIG. 2 is a front view thereof.

FIG. 3 is a rear view thereof.

FIG. 4 is a left side view thereof.

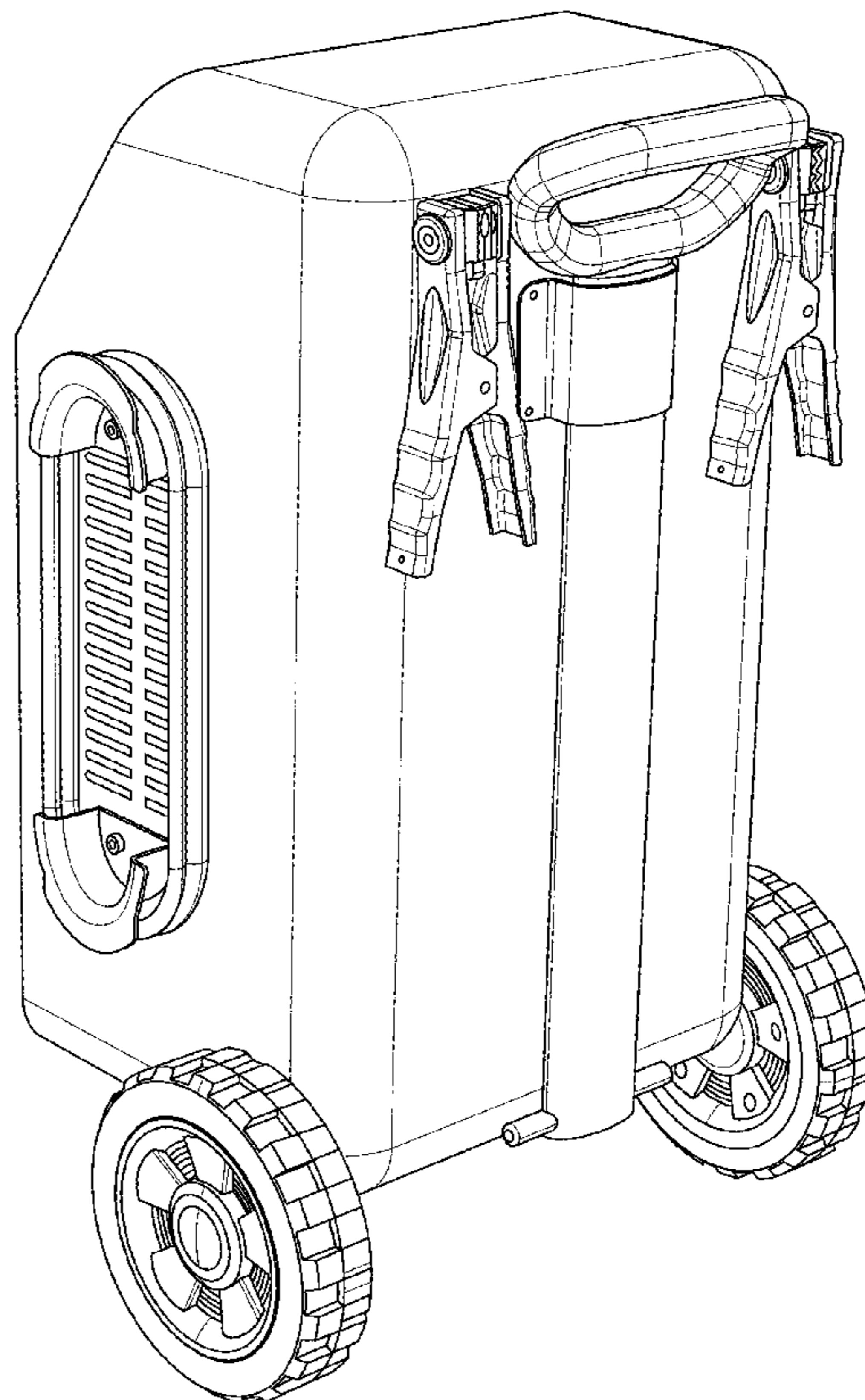
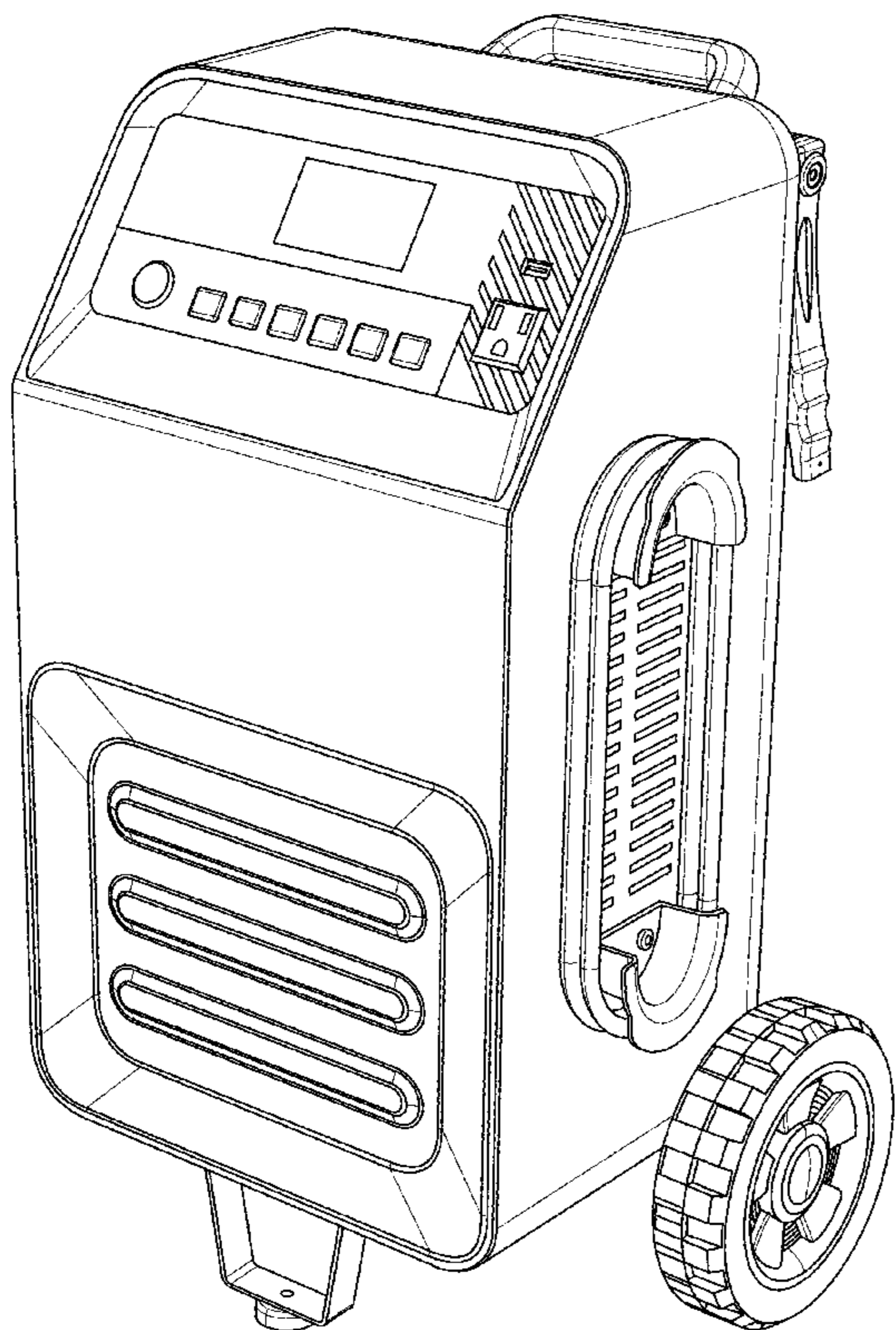
FIG. 5 is a right side view thereof.

FIG. 6 is a top plan view thereof.

FIG. 7 is a bottom plan view thereof; and,

FIG. 8 is a rear perspective view thereof.

1 Claim, 8 Drawing Sheets



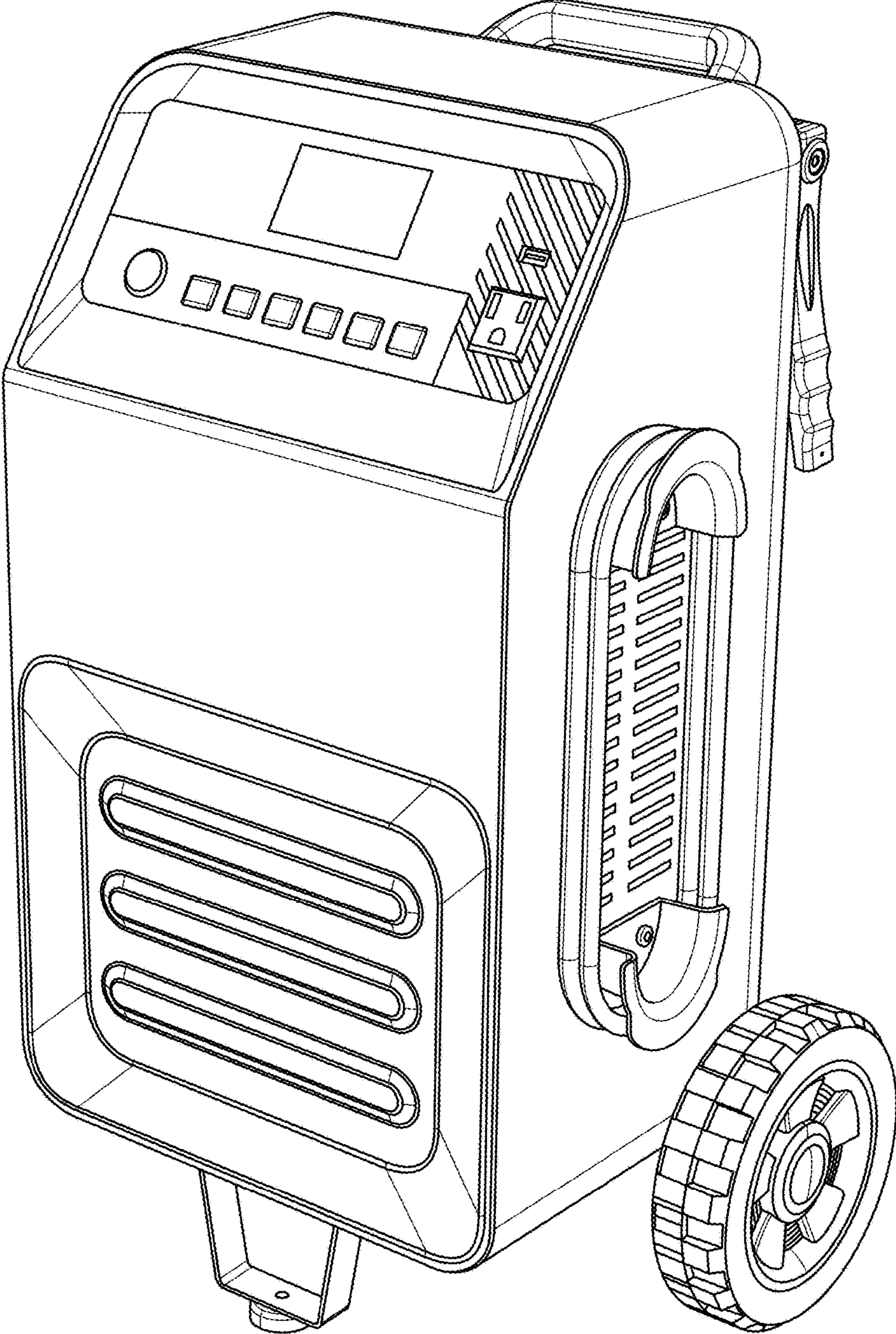


FIG. 1

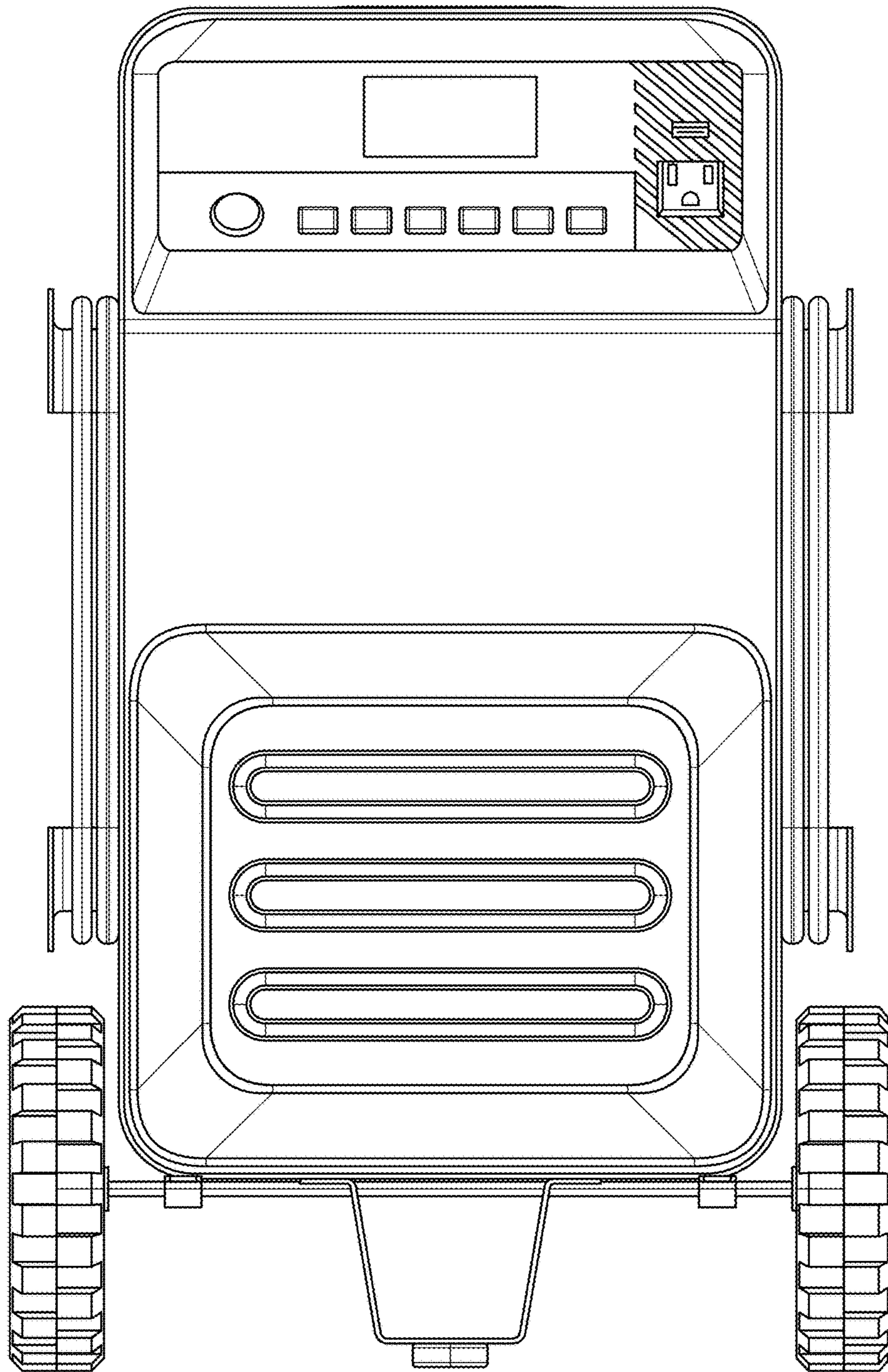


FIG. 2

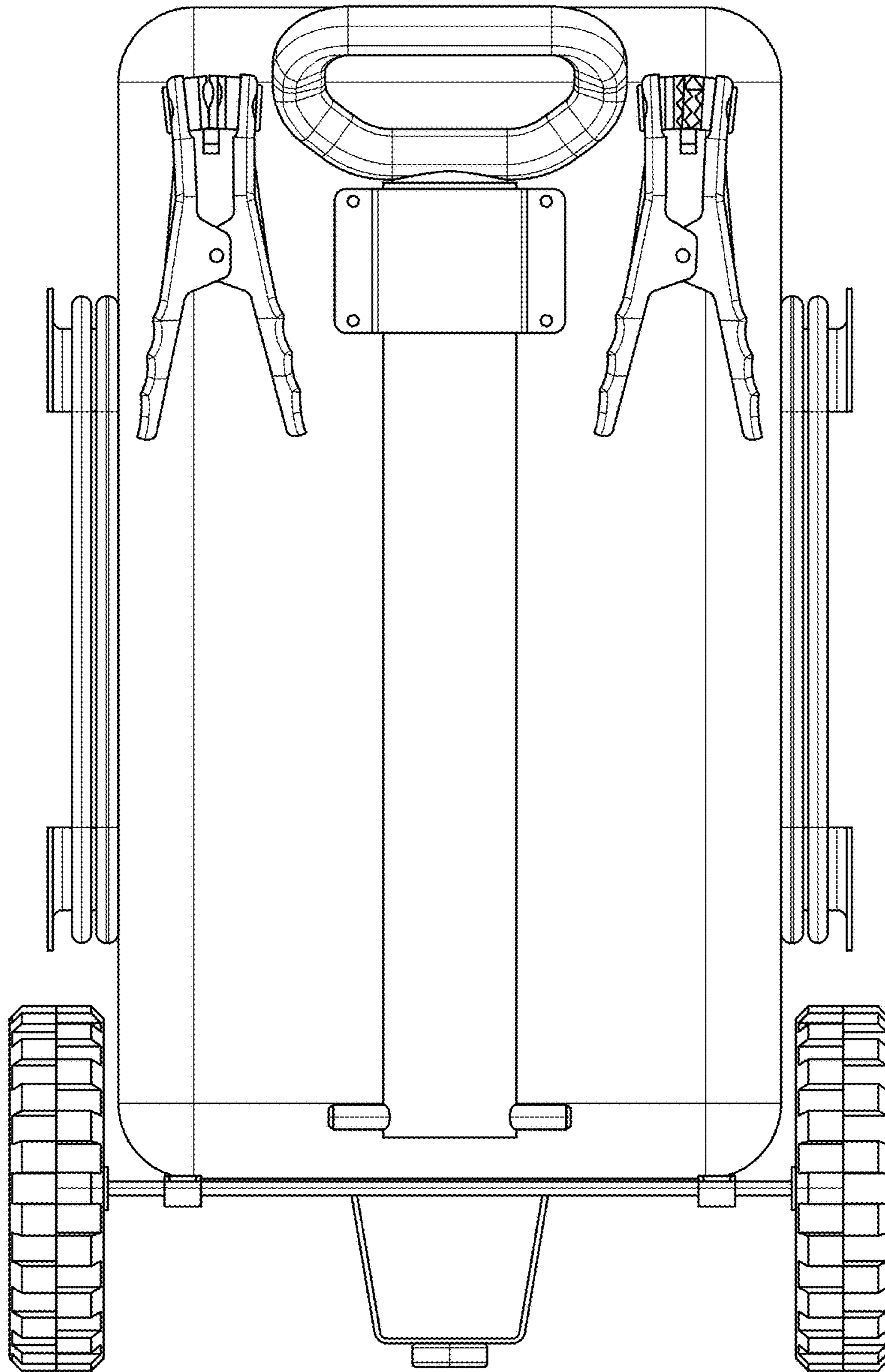


FIG. 3

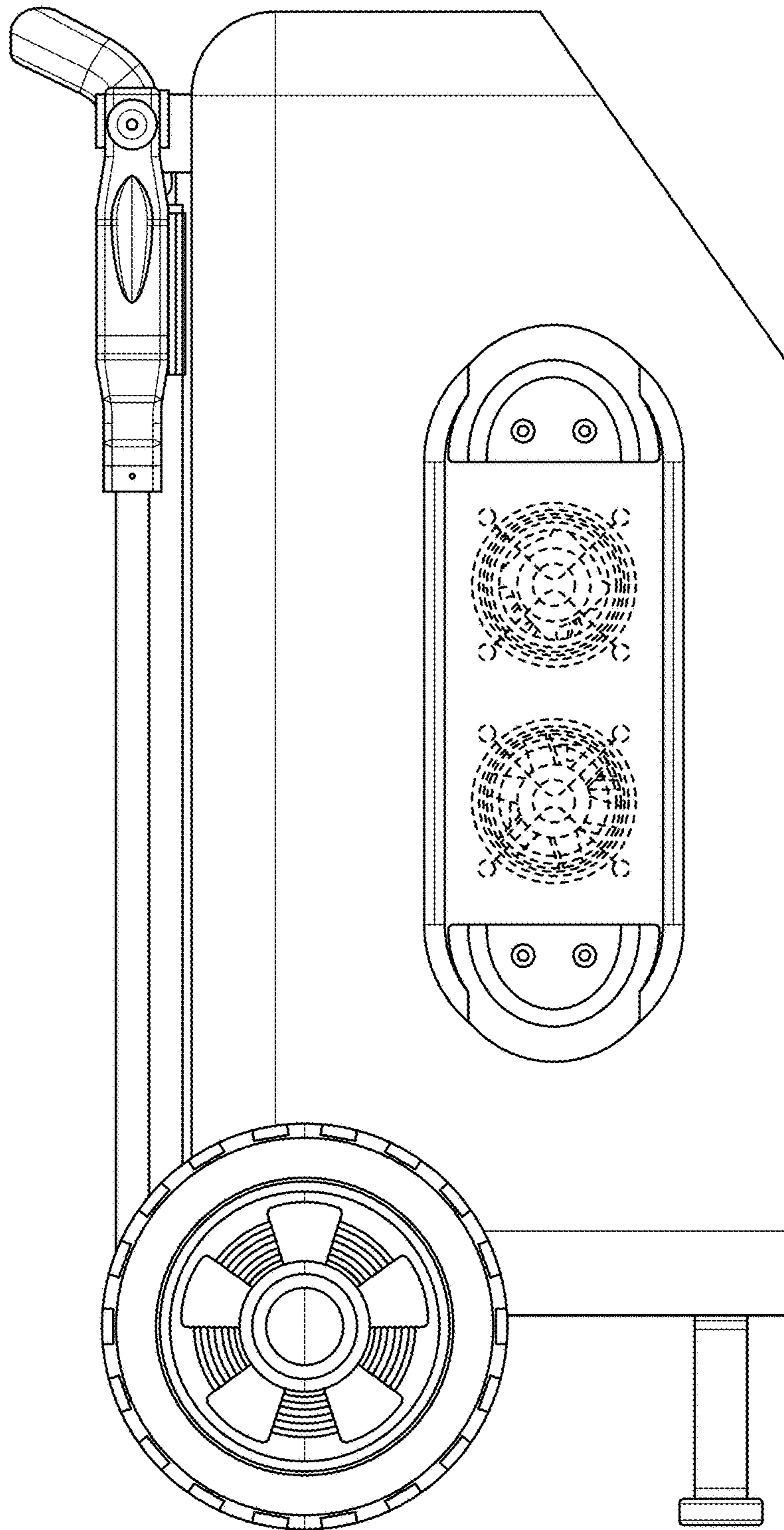


FIG. 4

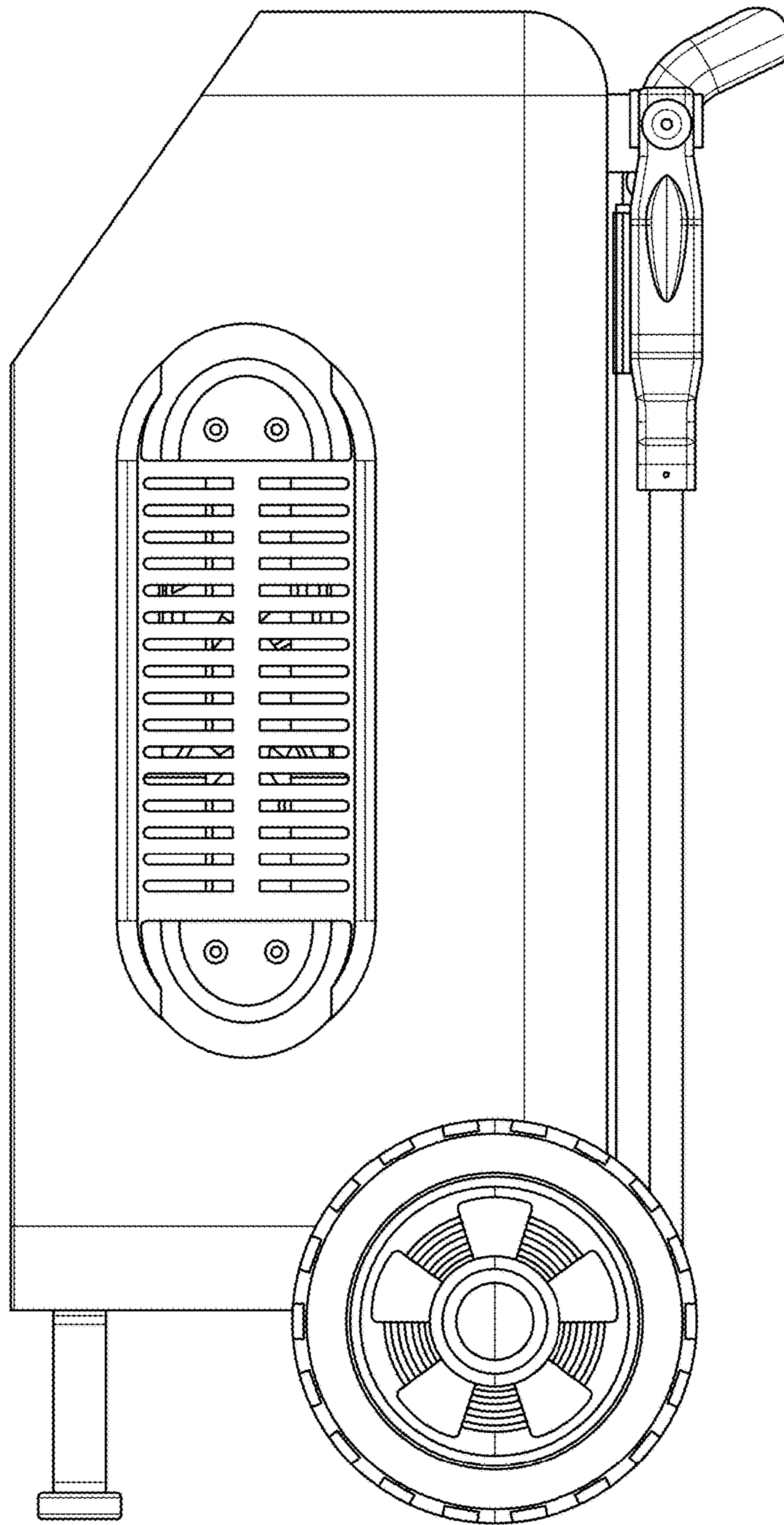


FIG. 5

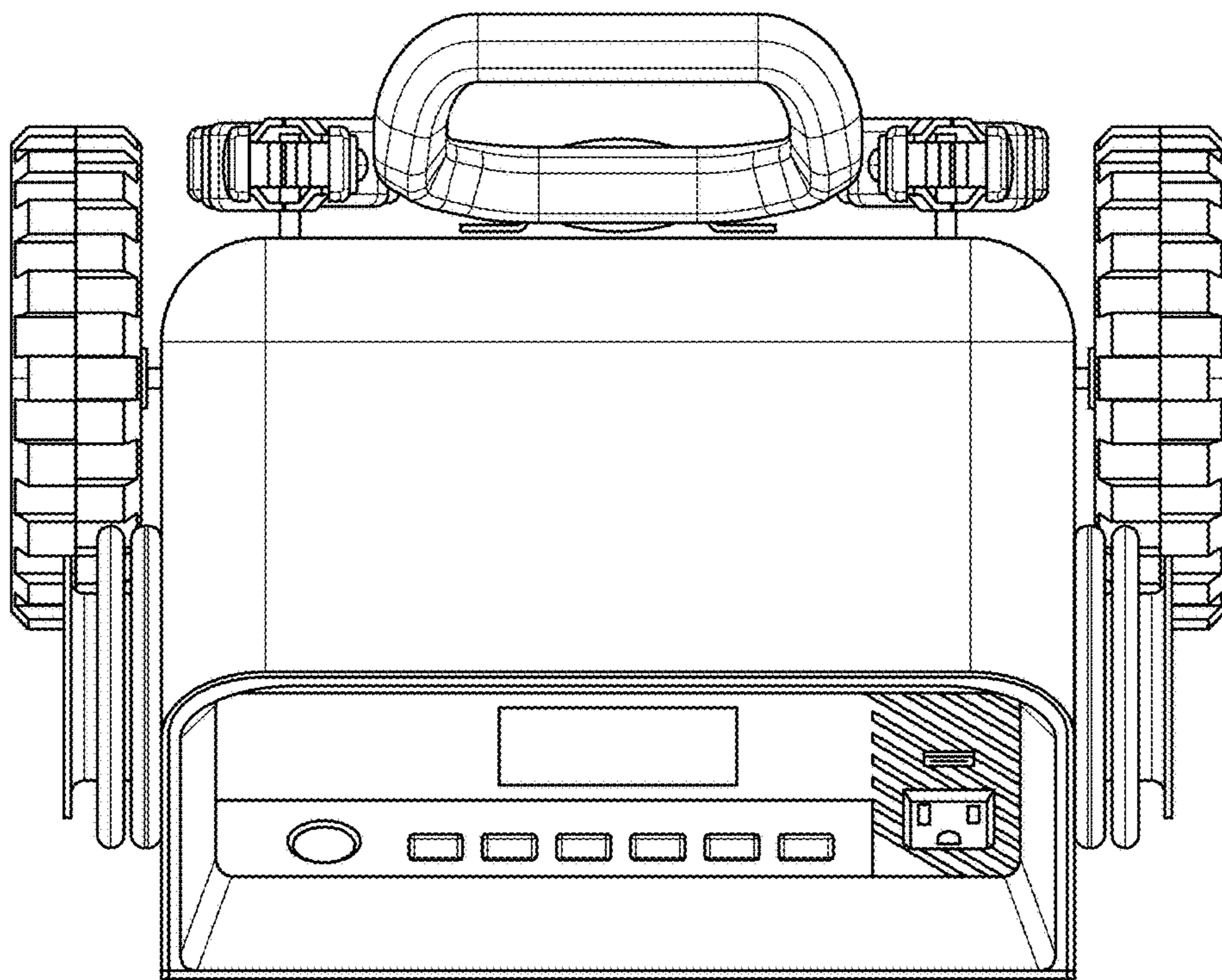


FIG. 6

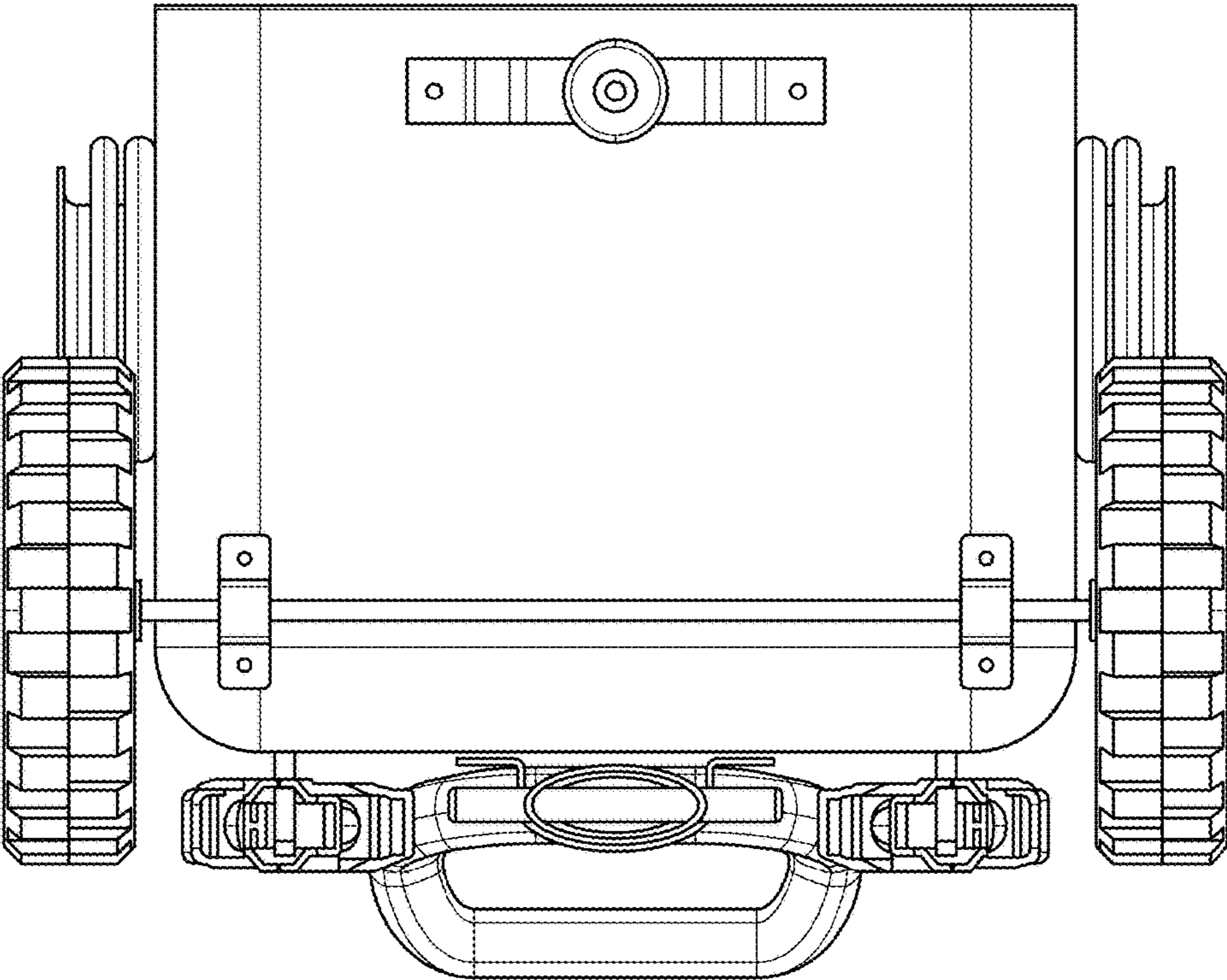


FIG. 7

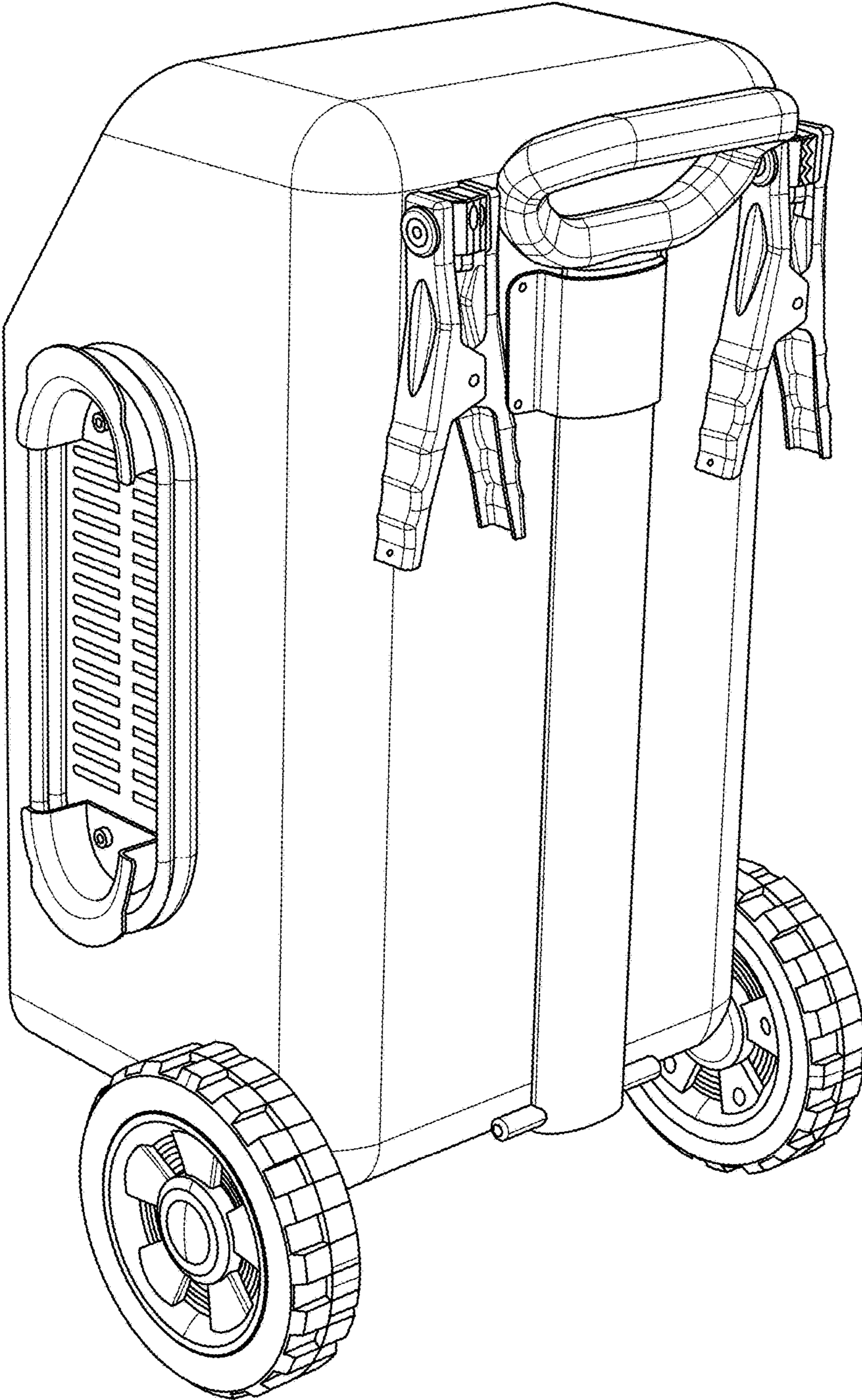


FIG. 8