



US00D853326S

(12) **United States Design Patent**  
**Jun et al.**

(10) **Patent No.:** **US D853,326 S**  
(45) **Date of Patent:** **\*\* Jul. 9, 2019**

(54) **CHARGER FOR ELECTRONIC DEVICE**

FOREIGN PATENT DOCUMENTS

(71) Applicant: **Samsung Electronics Co., Ltd.**,  
Suwon-si (KR)

JP 1252342 10/2005  
KR 30-0842773 3/2016

(72) Inventors: **Young-Joong Jun**, Seoul (KR);  
**Taewan Kim**, Seoul (KR)

OTHER PUBLICATIONS

(73) Assignee: **SAMSUNG ELECTRONICS CO., LTD.**,  
Suwon-si (KR)

Official Samsung USB-C Fast Charging Dock Review, Mobile Fun,  
published Nov. 15, 2017 on youtube.com, retrieved on Nov. 16,  
2018, retrieved from the Internet URL: <https://www.youtube.com/watch?v=jT22hMbEa7w>.\*

(Continued)

(\*\*) Term: **15 Years**

*Primary Examiner* — Jennifer Rivard

(21) Appl. No.: **29/629,205**

*Assistant Examiner* — Alison M Ofstun

(22) Filed: **Dec. 12, 2017**

(74) *Attorney, Agent, or Firm* — McAndrews Held &  
Malloy, Ltd.

(30) **Foreign Application Priority Data**

Sep. 20, 2017 (KR) ..... 30-2017-0044052

(51) **LOC (11) Cl.** ..... **13-02**

(52) **U.S. Cl.**  
USPC ..... **D13/108**

(58) **Field of Classification Search**  
USPC ..... D13/107-108, 110; D3/218, 210;  
D14/251, 253, 356, 432, 434  
CPC .... Y02E 60/12; Y02E 60/122; Y02E 60/124;  
Y02E 60/50; Y02E 60/10; H04R 1/10;  
H04R 1/28; Y02T 90/122; Y02T 90/128;  
Y02T 90/163; H02J 7/025; H02J 7/0042;  
H02J 7/0044; H02J 7/0045; H02J 7/0003;  
H01M 2/1022; H01M 2/1055; H01M  
10/44;

(Continued)

(56) **References Cited**

U.S. PATENT DOCUMENTS

D456,351 S \* 4/2002 Yoneda ..... D13/108  
D510,066 S \* 9/2005 Hickey ..... D13/108

(Continued)

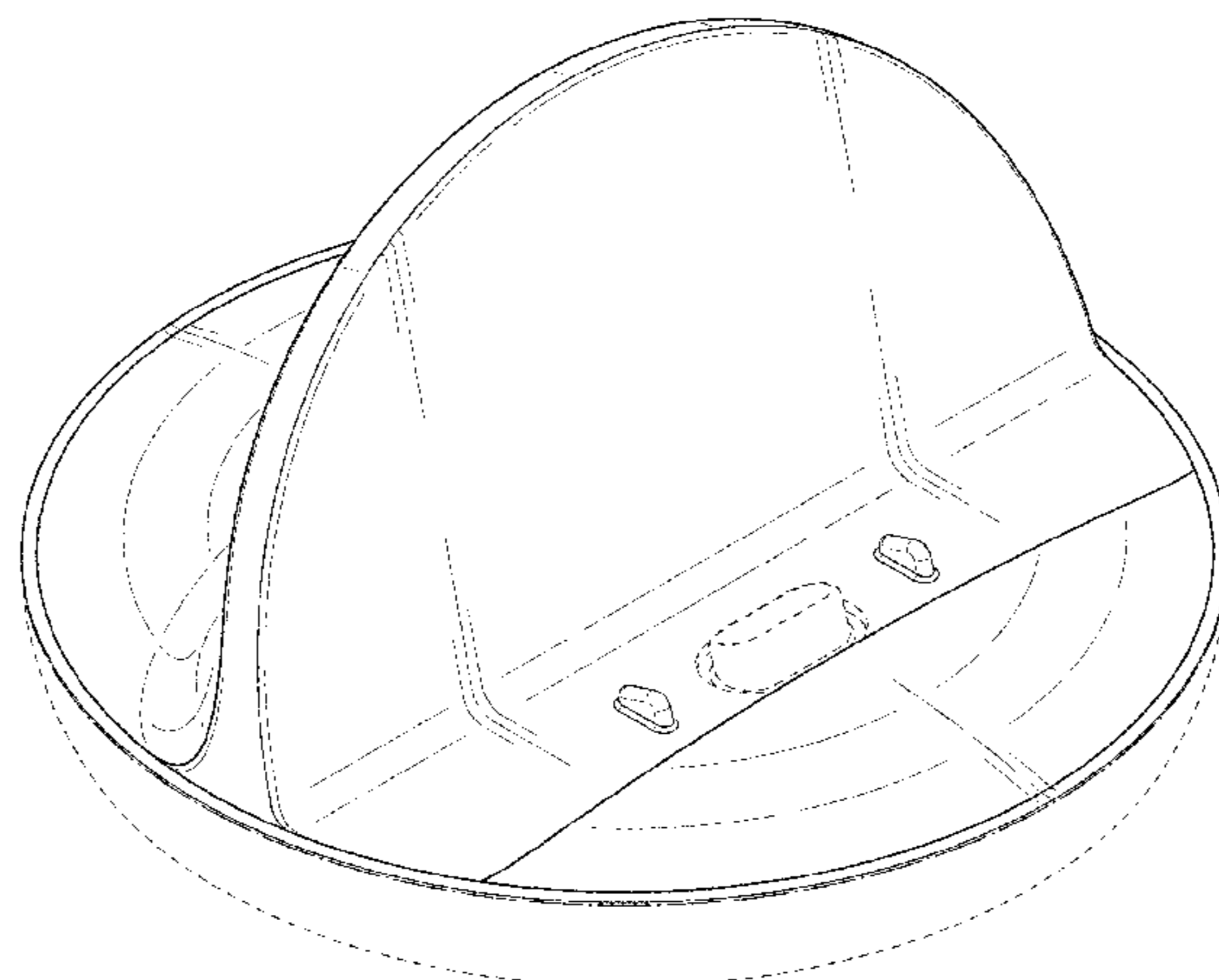
(57) **CLAIM**

The ornamental design for a charger for electronic device, as  
shown and described.

**DESCRIPTION**

FIG. 1 is a front perspective view of a charger for electronic  
device showing our new design;  
FIG. 2 is a front elevation view thereof;  
FIG. 3 is a rear elevation view thereof;  
FIG. 4 is a left side elevation view thereof;  
FIG. 5 is a right side elevation view thereof;  
FIG. 6 is a top plan view thereof;  
FIG. 7 is a bottom plan view thereof;  
FIG. 8 is a rear perspective view thereof; and,  
FIG. 9 is a front perspective view thereof, shown in an  
environment of use with an example electronic device.  
The evenly-spaced dashed broken lines in the drawings  
depict portions of the charger for electronic device that form  
no part of the claimed design.  
The unevenly-spaced dot-dash broken lines in the drawings  
define the boundaries of the claimed design and form no part  
thereof.

(Continued)



The unevenly-spaced dot-dot-dash broken line showing of an electronic device in FIG. 9 illustrates environmental structure and forms no part of the claimed design.

**1 Claim, 9 Drawing Sheets**

**(58) Field of Classification Search**

CPC ... H01M 10/46; H01M 10/425; B60L 11/182  
See application file for complete search history.

**(56) References Cited**

**U.S. PATENT DOCUMENTS**

D558,208 S \* 12/2007 Ikeda ..... D14/434  
D558,764 S \* 1/2008 Kuo ..... D14/230  
D594,404 S \* 6/2009 Kuo ..... D13/107  
D697,476 S \* 1/2014 Jeong ..... D13/108  
D797,668 S \* 9/2017 Park ..... D13/108

D802,529 S \* 11/2017 Andersson ..... D13/108  
D827,568 S \* 9/2018 Turksu ..... D13/108  
10,128,676 B2 \* 11/2018 Han ..... H02J 7/007  
2002/0117996 A1 \* 8/2002 Cheng ..... H02G 11/02  
320/114  
2015/0188356 A1 \* 7/2015 Chen ..... H02J 7/025  
320/108  
2015/0303727 A1 \* 10/2015 Jeong ..... H02J 7/0044  
320/103

**OTHER PUBLICATIONS**

Google Pixel XL Sync and Charge Dock by Encased, Mobile WizTech, published on Nov. 1, 2016 on youtube.com, retrieved on Nov. 16, 2018, retrieved from the Internet URL: <https://www.youtube.com/watch?v=eaYXNvODXd0>.  
Random Good Stuff, "NXET USB Type C Dock", published Dec. 17, 2016 on youtube.com, <<https://www.youtube.com/watch?v=vzpkpzaZgA>> (Last accessed Dec. 12, 2017).

\* cited by examiner

FIG. 1

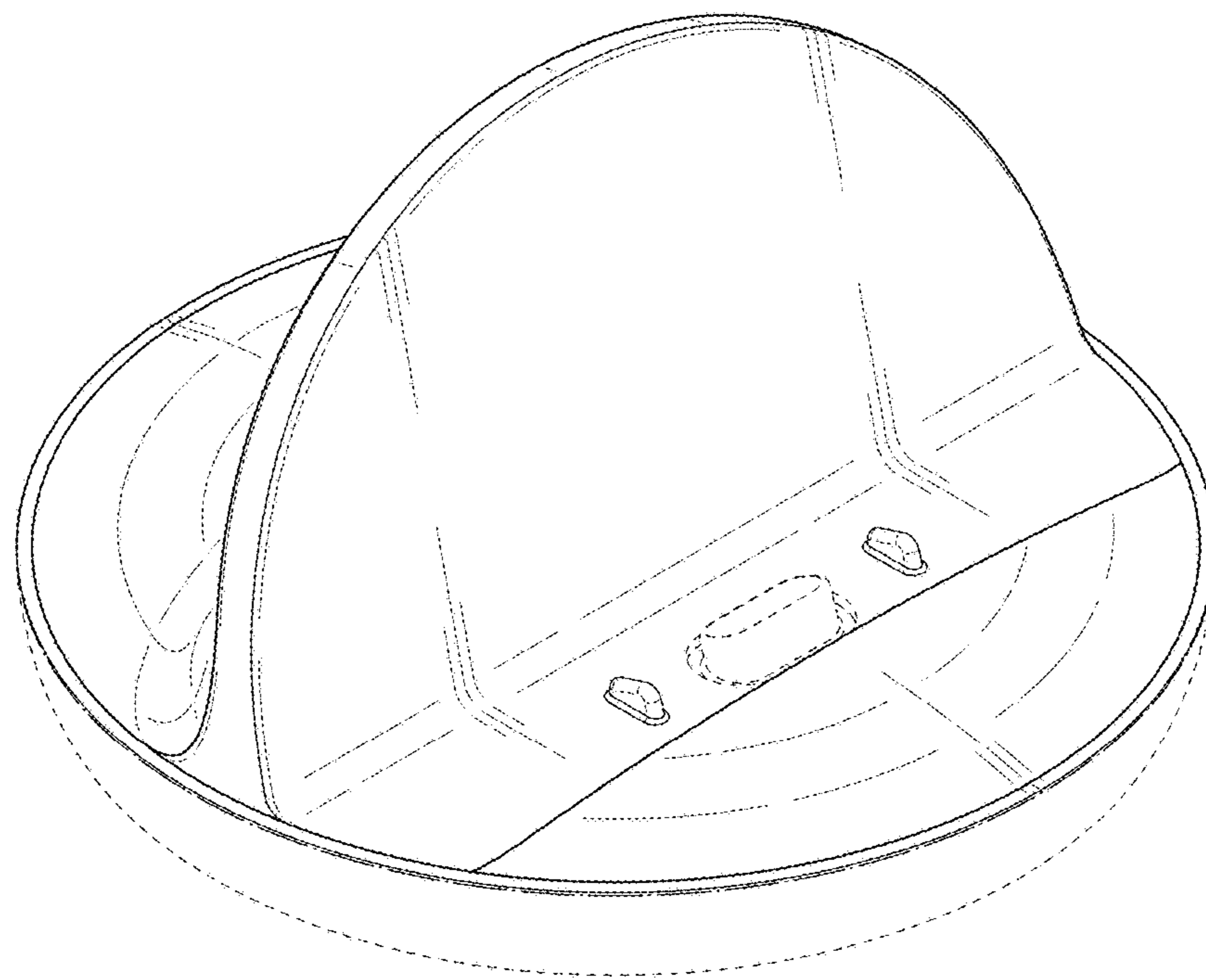


FIG. 2

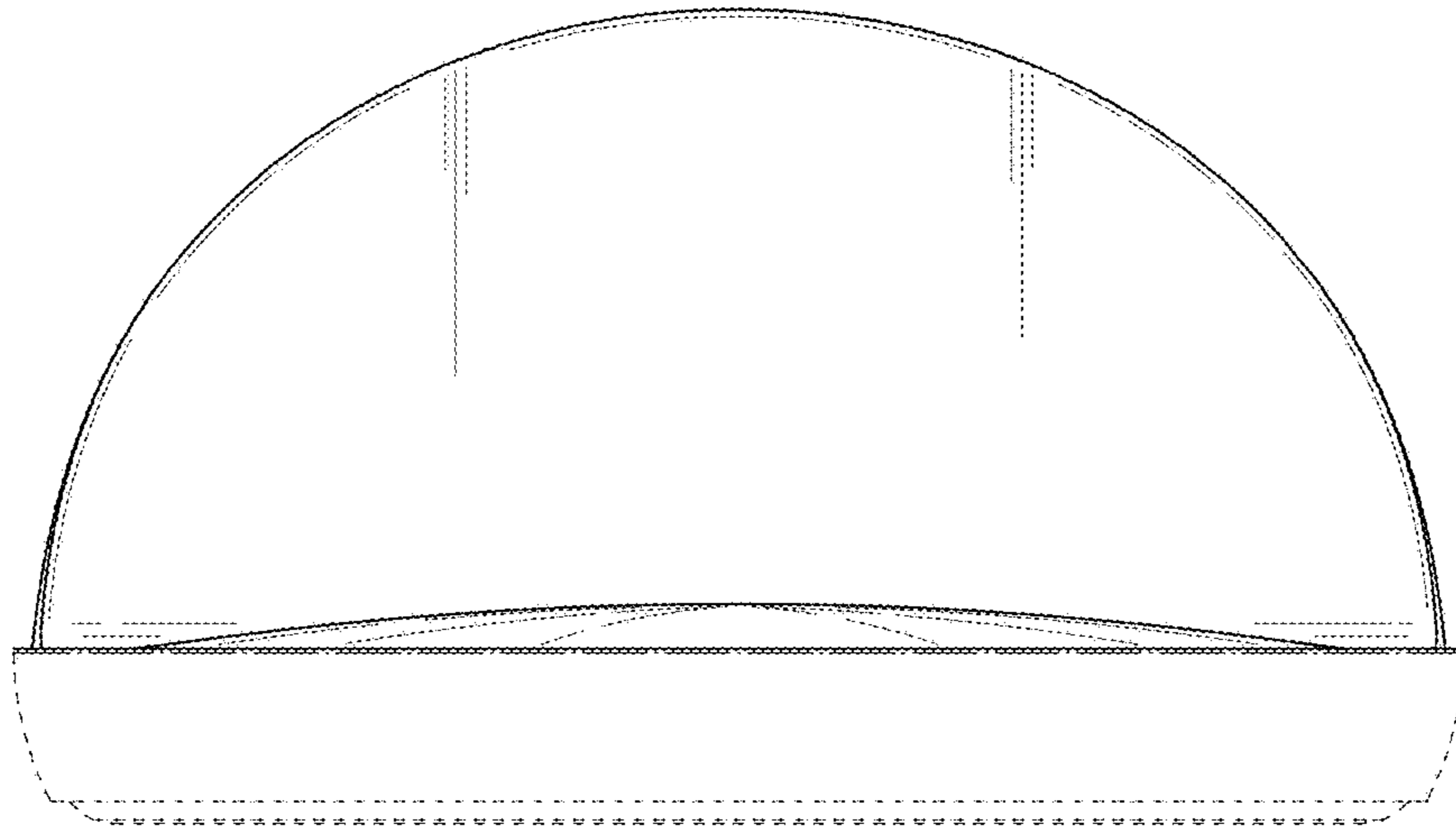


FIG. 3

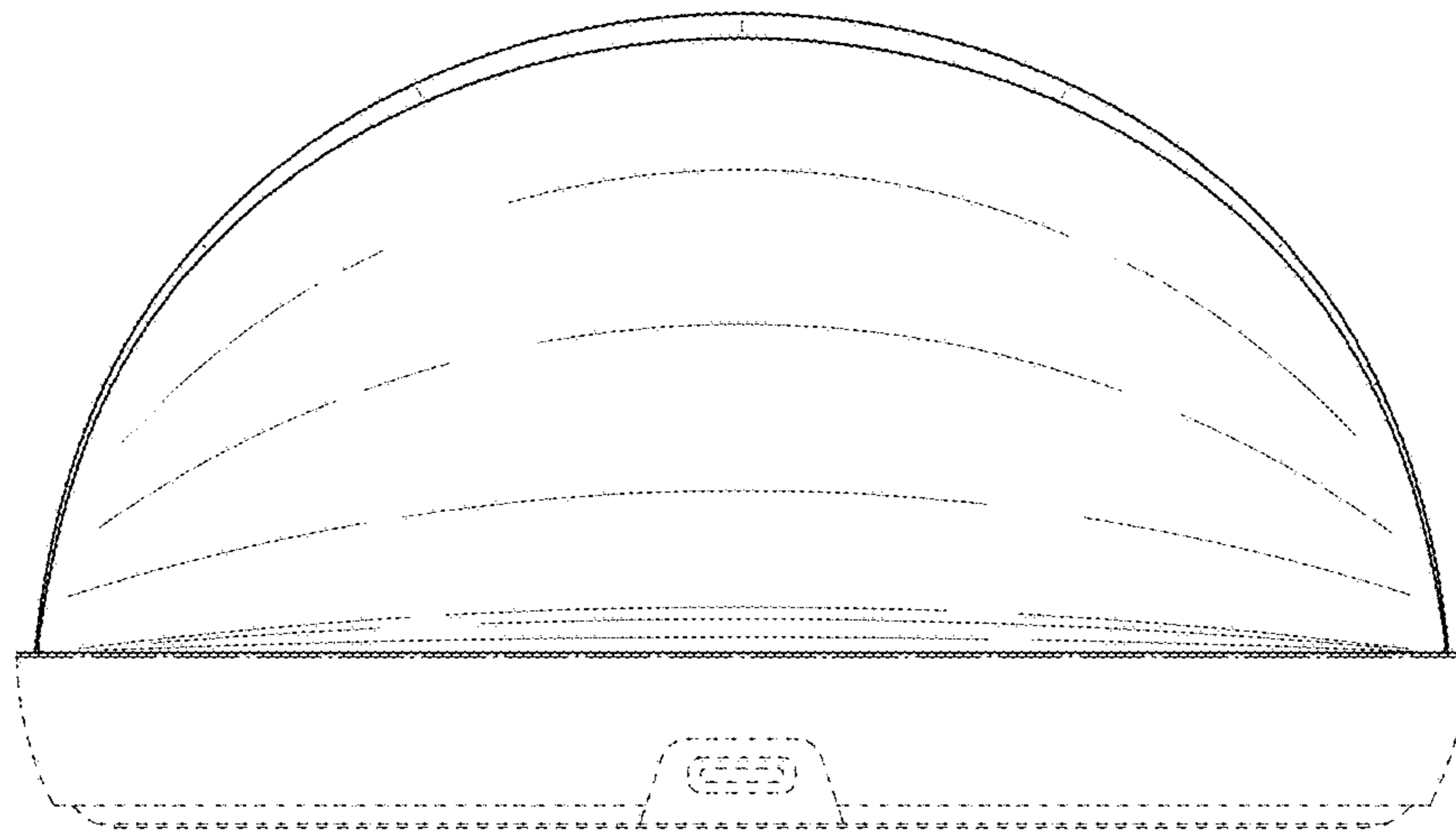


FIG. 4

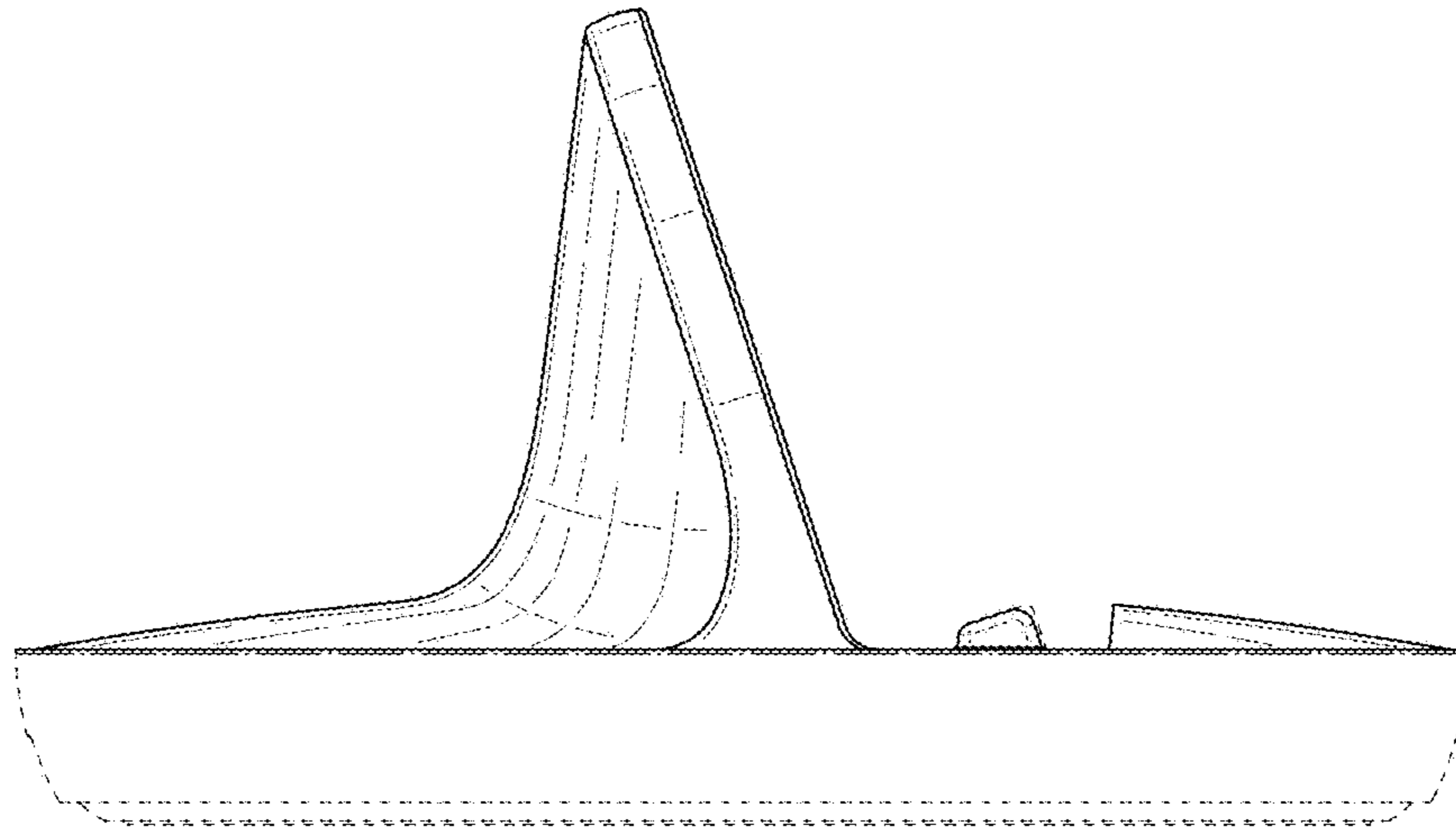


FIG. 5

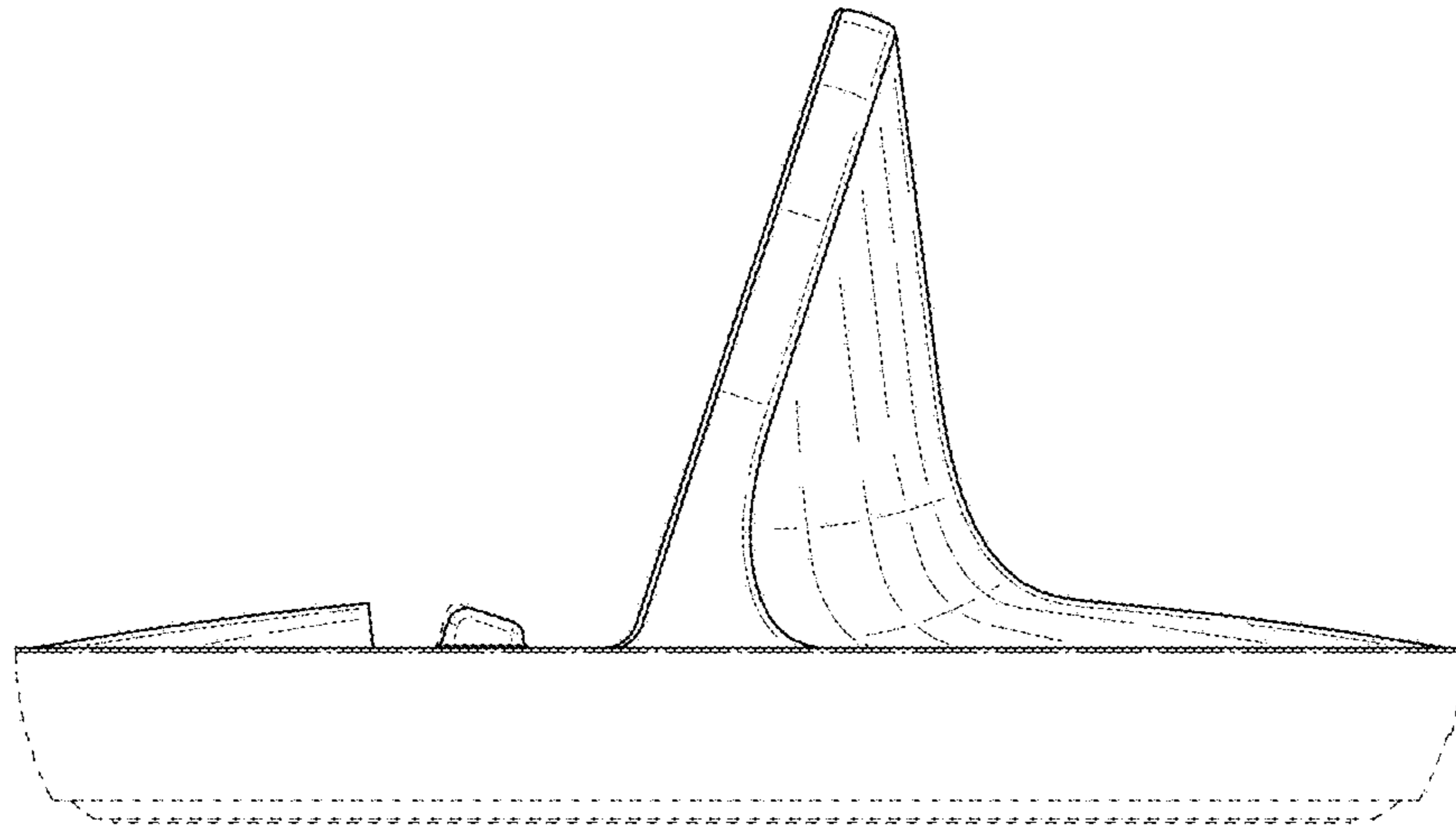


FIG. 6

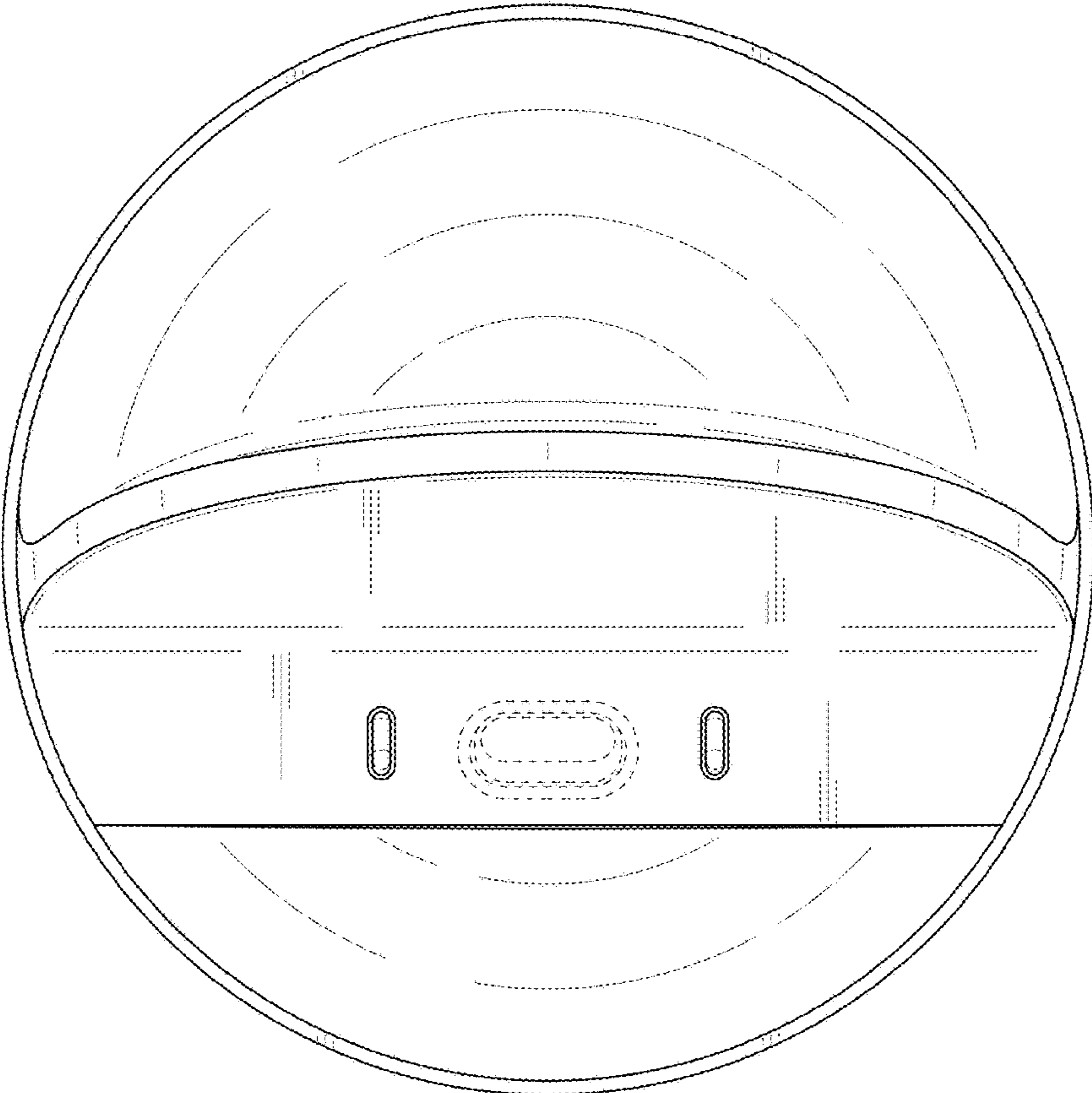




FIG. 7

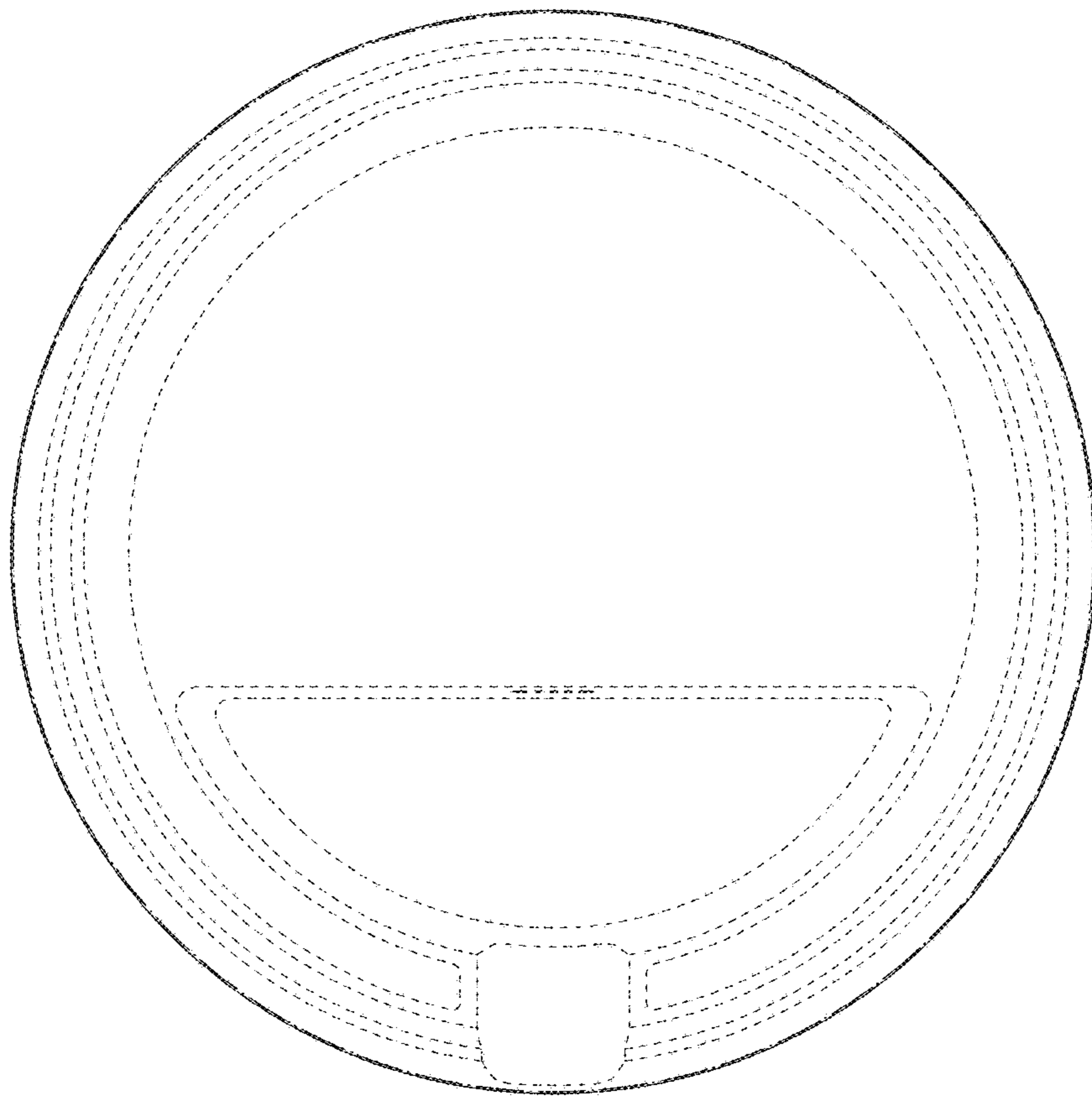


FIG. 8

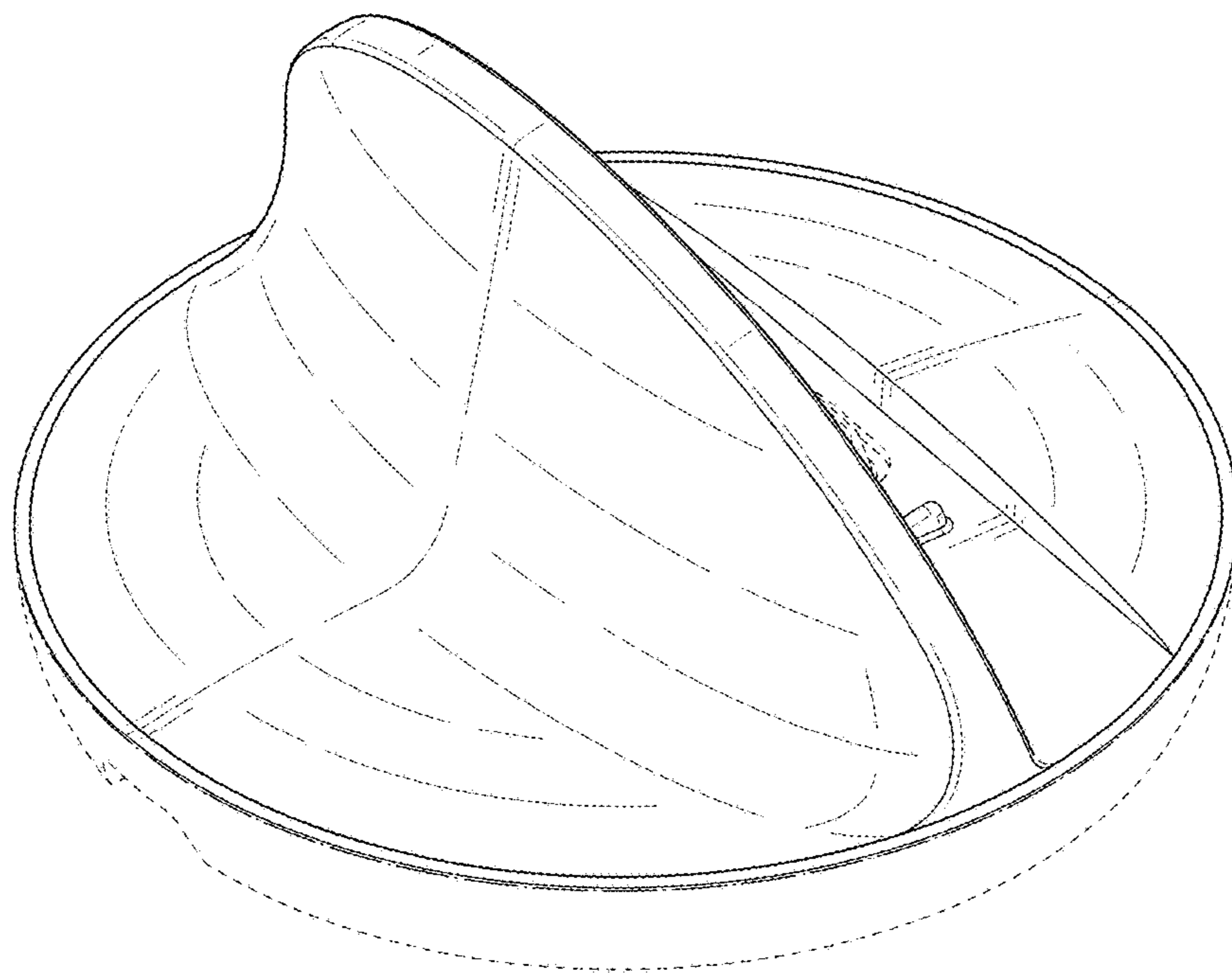


FIG. 9

