



US00D853325S

(12) **United States Design Patent** (10) **Patent No.:** **US D853,325 S**
Xu (45) **Date of Patent:** **** Jul. 9, 2019**

(54) **MULTI-FUNCTION MOBILE PHONE CHARGING DEVICE**

(71) Applicant: **Dongguan Guodun Electronic Technology Co., Ltd.**, Dongguan, Guangdong (CN)

(72) Inventor: **Guosheng Xu**, Hunan (CN)

(73) Assignee: **Dongguan Guodun Electronic Technology Co., Ltd.**, Dongguan (CN)

(**) Term: **15 Years**

(21) Appl. No.: **29/628,047**

(22) Filed: **Dec. 1, 2017**

(51) **LOC (11) Cl.** **13-02**

(52) **U.S. Cl.**
USPC **D13/108**

(58) **Field of Classification Search**
USPC D13/107-110, 118-119, 184; D14/251, D14/253, 432, 434
CPC Y02E 60/12; Y02T 90/14; Y02T 90/122; Y02T 90/128; Y02T 90/163; H02J 7/025; H02J 7/0042; H02J 7/0044; H02J 7/0045; H02J 7/0003; H01F 38/14; H01R 13/6675; H01M 2/1022; H01M 2/1055; H01M 10/44; H01M 10/46; H01M 10/425; B60L 11/182
See application file for complete search history.

(56) **References Cited**

U.S. PATENT DOCUMENTS

D336,631 S * 6/1993 Ivester D13/108
D388,764 S * 1/1998 Bartling D13/107

D495,336 S * 8/2004 Andre D14/434
D613,626 S * 4/2010 Wang D10/50
D672,336 S * 12/2012 Lister D14/218
D672,355 S * 12/2012 Lee D14/447
D725,049 S * 3/2015 Paredes D13/168
D762,648 S * 8/2016 Akana D14/434
D796,350 S * 9/2017 Bone D10/46
D801,922 S * 11/2017 Morenstein D13/108
D819,595 S * 6/2018 Tan D14/209.1
D829,209 S * 9/2018 Zheng D14/388
D832,402 S * 10/2018 Lance D23/250

* cited by examiner

Primary Examiner — Rosemary K Tarca
Assistant Examiner — Nathaniel D. Buckner

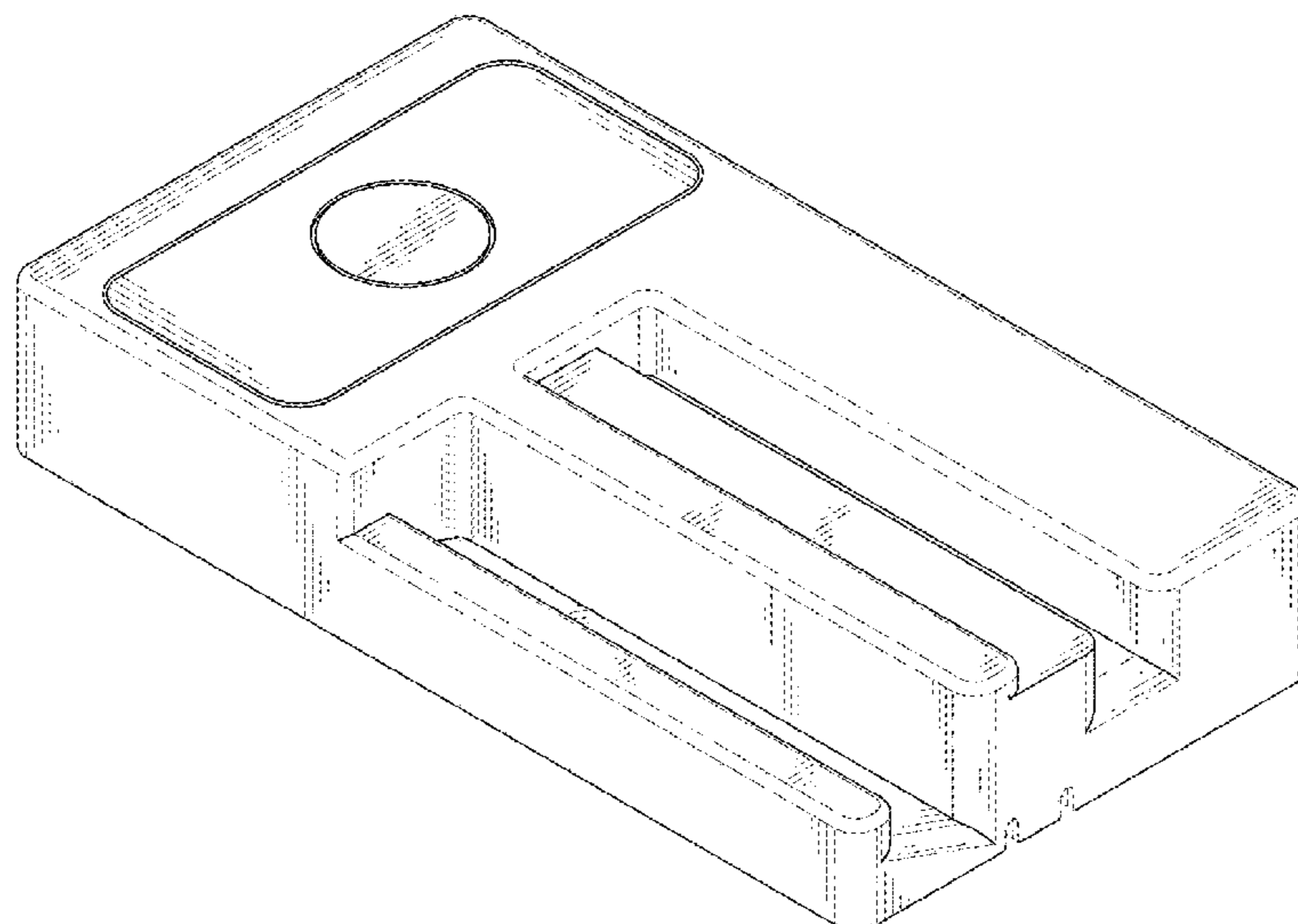
(57) **CLAIM**

The ornamental design for a multi-function mobile phone charging device, as shown and described.

DESCRIPTION

FIG. 1 is a first perspective view of a multi-function mobile phone charging device showing my new design; FIG. 2 is a second perspective view thereof; FIG. 3 is a front elevational view thereof; FIG. 4 is a rear elevational view thereof; FIG. 5 is a left side view thereof; FIG. 6 is a right side view thereof; FIG. 7 is a top plan view thereof; and, FIG. 8 is a bottom plan view thereof. The broken lines in the drawings illustrate portions of the multi-function mobile phone charging device which form no part of the claimed design.

1 Claim, 8 Drawing Sheets



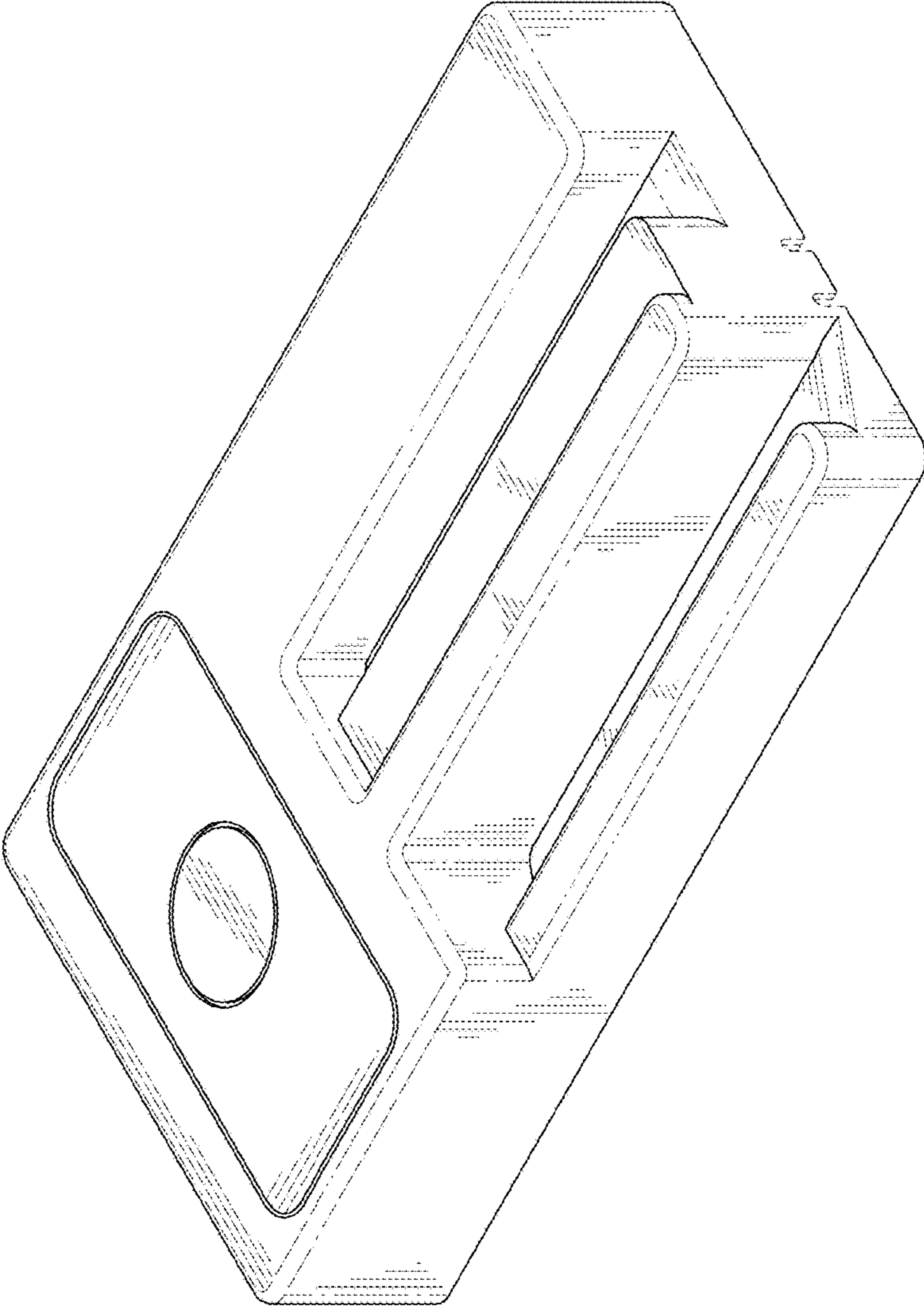


FIG. 1

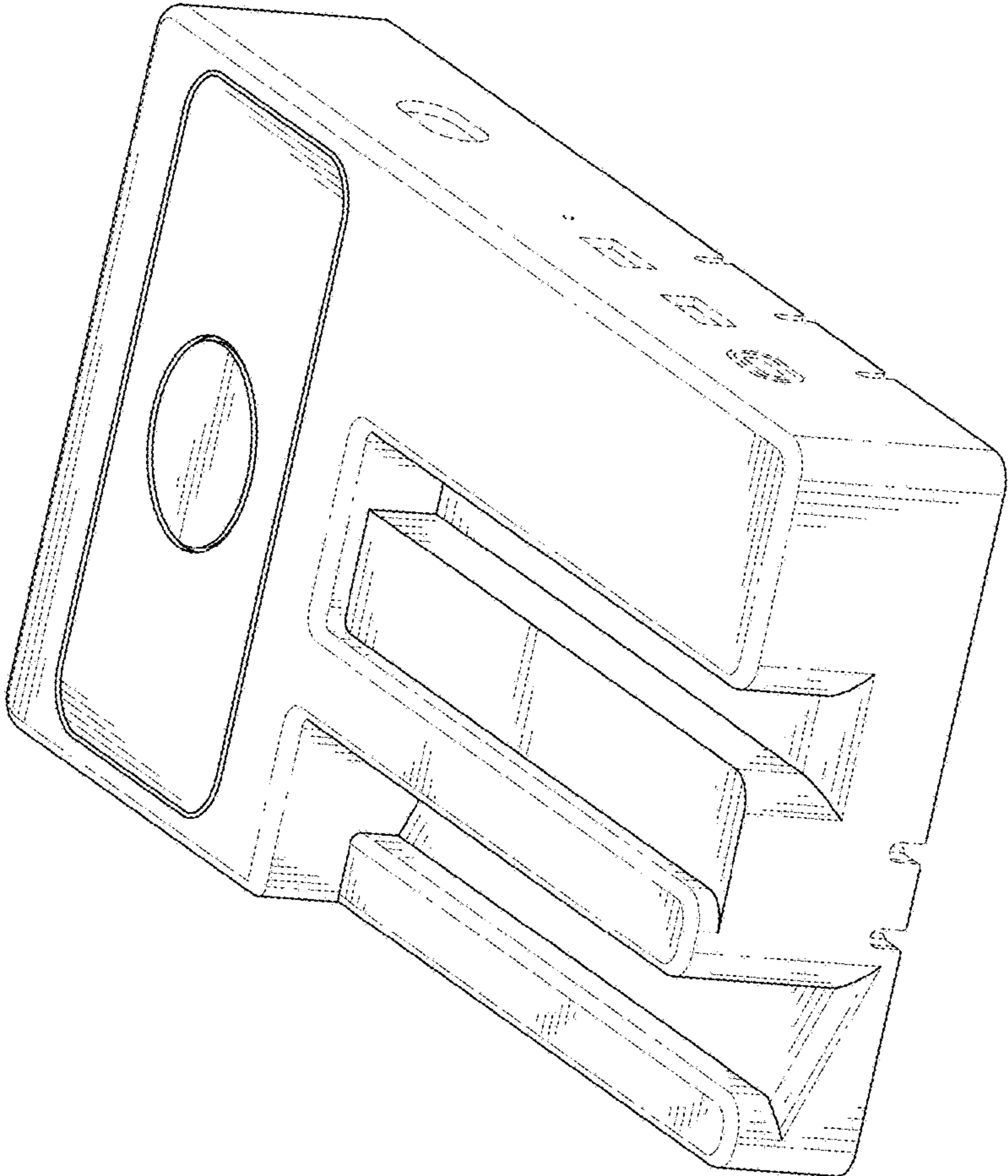


FIG. 2

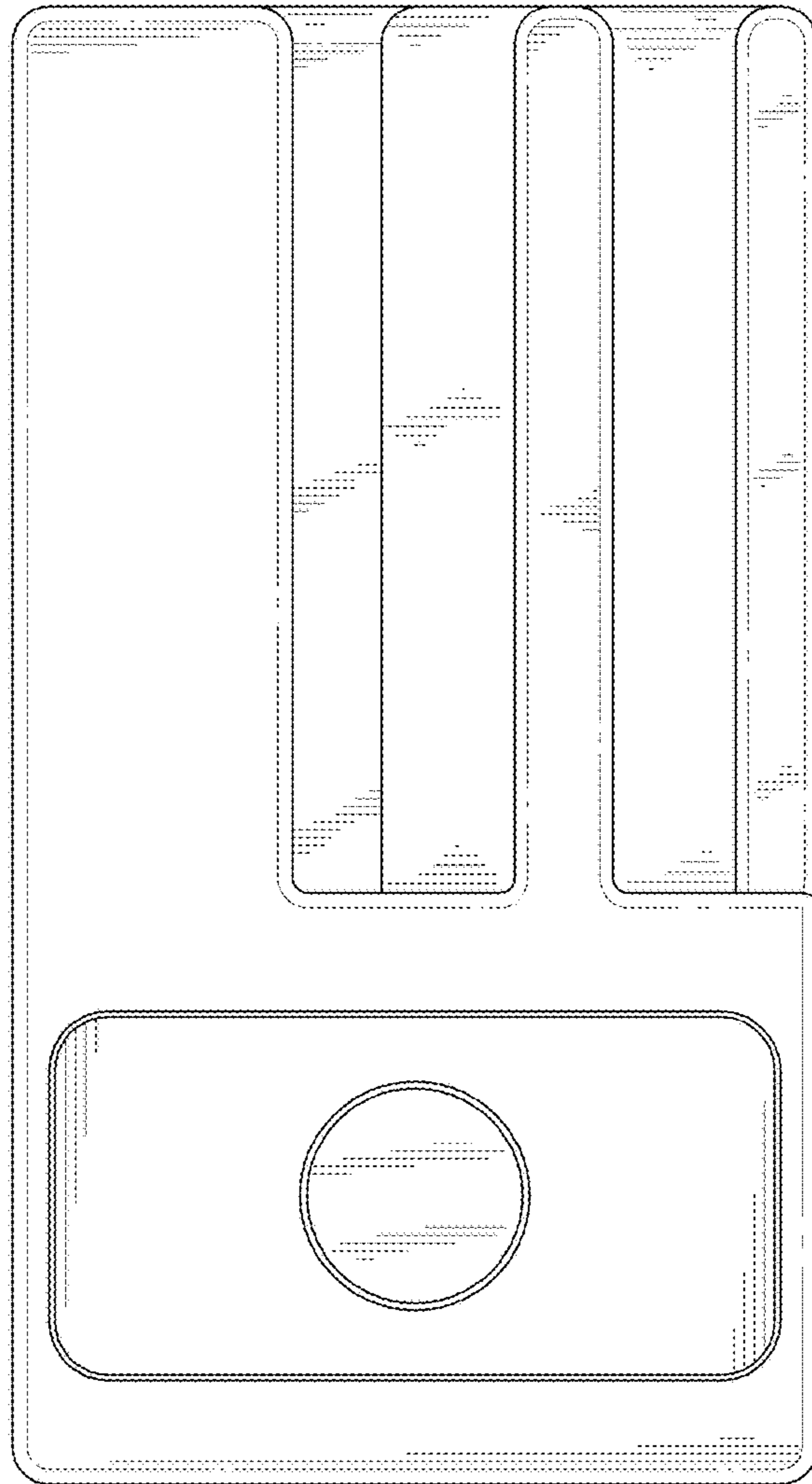


FIG. 3

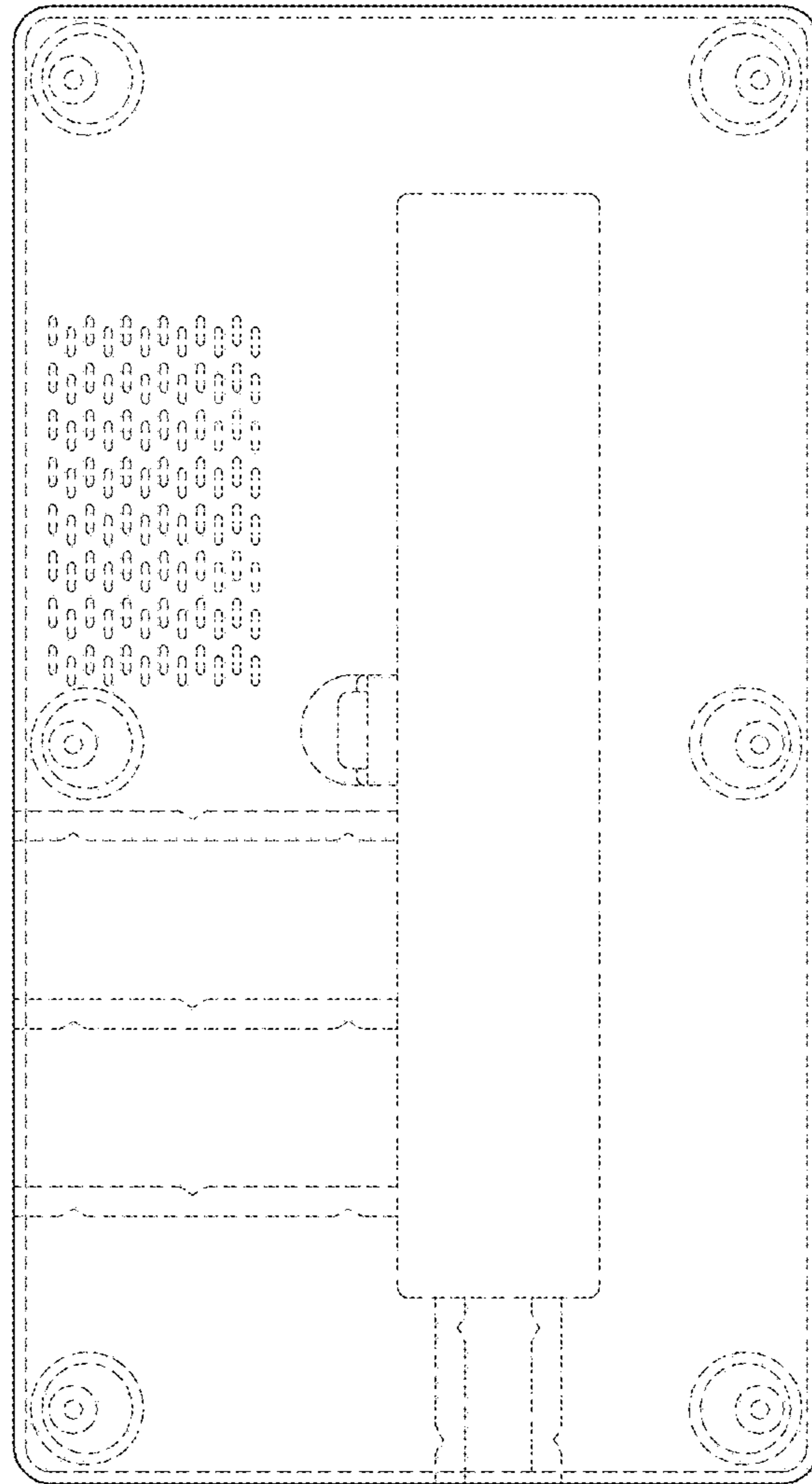


FIG. 4

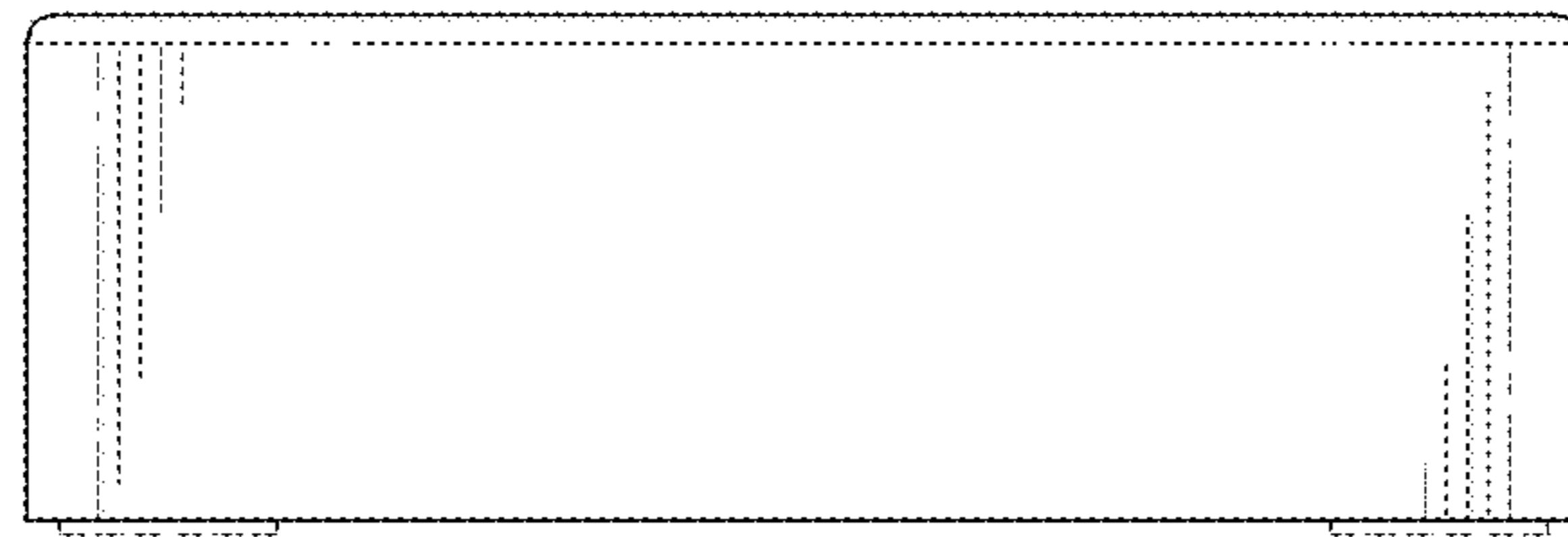


FIG. 5

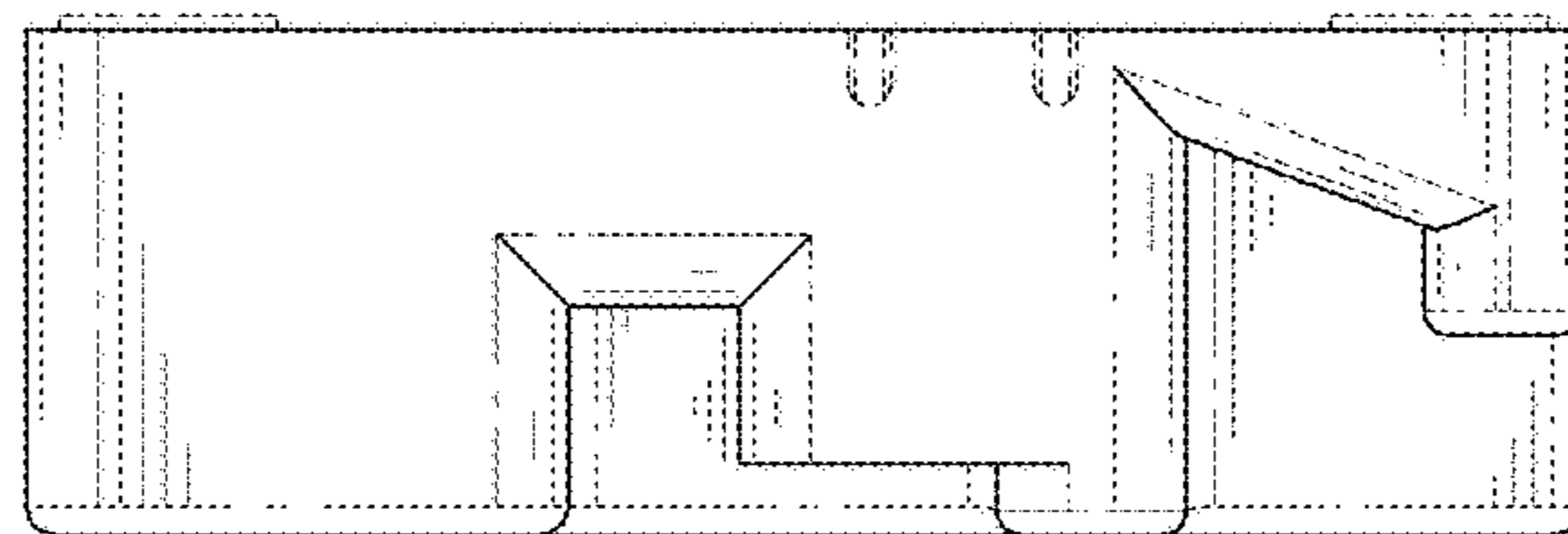


FIG. 6

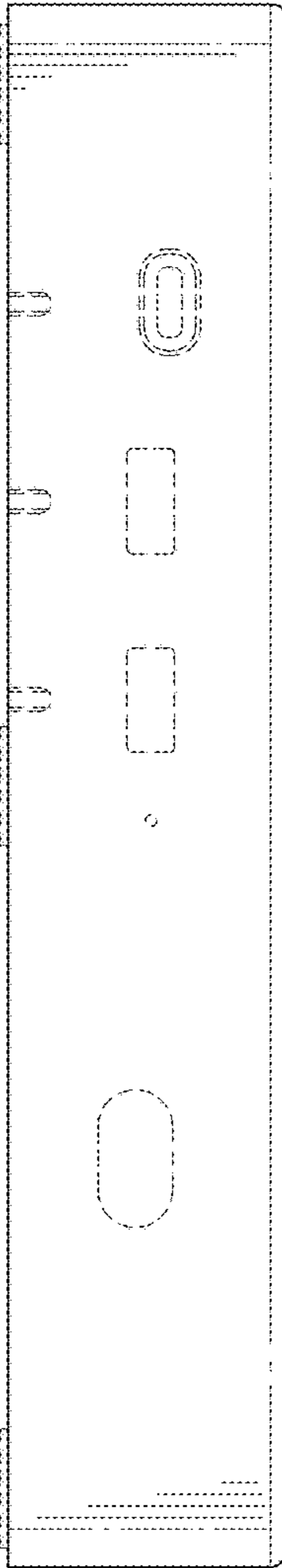


FIG. 7

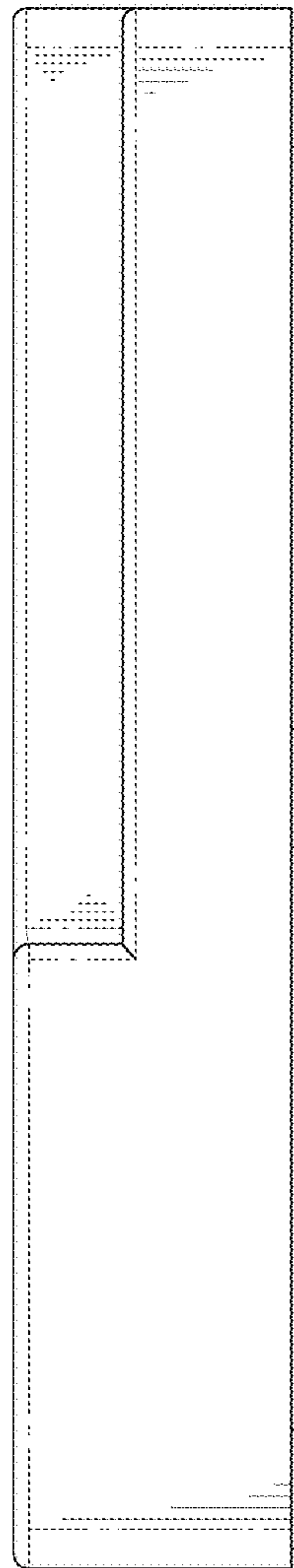


FIG. 8