



US00D853324S

(12) **United States Design Patent**
Miller et al.

(10) **Patent No.:** **US D853,324 S**
(45) **Date of Patent:** **** Jul. 9, 2019**

- (54) **LED CANDLE CHARGING TRAY**
- (71) Applicant: **Hollowick Inc.**, Manlius, NY (US)
- (72) Inventors: **Jeffrey A. Miller**, St. Paul, MN (US);
Joel C. Nye, Hamburg, NY (US);
Robert Longo, Manlius, NY (US)
- (73) Assignee: **Hollowick Inc.**, Manlius, NY (US)
- (**) Term: **15 Years**
- (21) Appl. No.: **29/619,791**
- (22) Filed: **Oct. 2, 2017**
- (51) **LOC (11) Cl.** **13-02**
- (52) **U.S. Cl.**
USPC **D13/108**
- (58) **Field of Classification Search**
USPC D13/107-110, 118-119, 184; D14/251,
D14/253, 432, 434
CPC Y02E 60/12; Y02T 90/14; Y02T 90/122;
Y02T 90/128; Y02T 90/163; H02J 7/025;
H02J 7/0042; H02J 7/0044; H02J 7/0045;
H02J 7/0003; H01F 38/14; H01R
13/6675; H01M 2/1022; H01M 2/1055;
H01M 10/44; H01M 10/46; H01M
10/425; B60L 11/182
See application file for complete search history.

D414,642 S *	10/1999	Williams	D6/582
D492,443 S *	6/2004	Smith	D26/102
D520,447 S *	5/2006	Liu	D13/108
D567,993 S *	4/2008	Shiu	D26/102
D599,604 S *	9/2009	Dorado	D6/601
D737,761 S *	9/2015	Zhuang	D13/108
D751,503 S *	3/2016	Fournier	D13/108
D773,967 S *	12/2016	Dulac	D12/174
9,689,538 B2 *	6/2017	Hau	H02J 50/10
D792,341 S *	7/2017	Delsaut	D13/102
9,755,438 B2 *	9/2017	Thompson	H02J 7/0013
D810,679 S *	2/2018	Patton	D13/108
D827,189 S *	8/2018	Li	D26/96

* cited by examiner

Primary Examiner — Rosemary K Tarcza
Assistant Examiner — Nathaniel D. Buckner
 (74) *Attorney, Agent, or Firm* — Bond Schoeneck & King, PLLC; George McGuire

(57) **CLAIM**

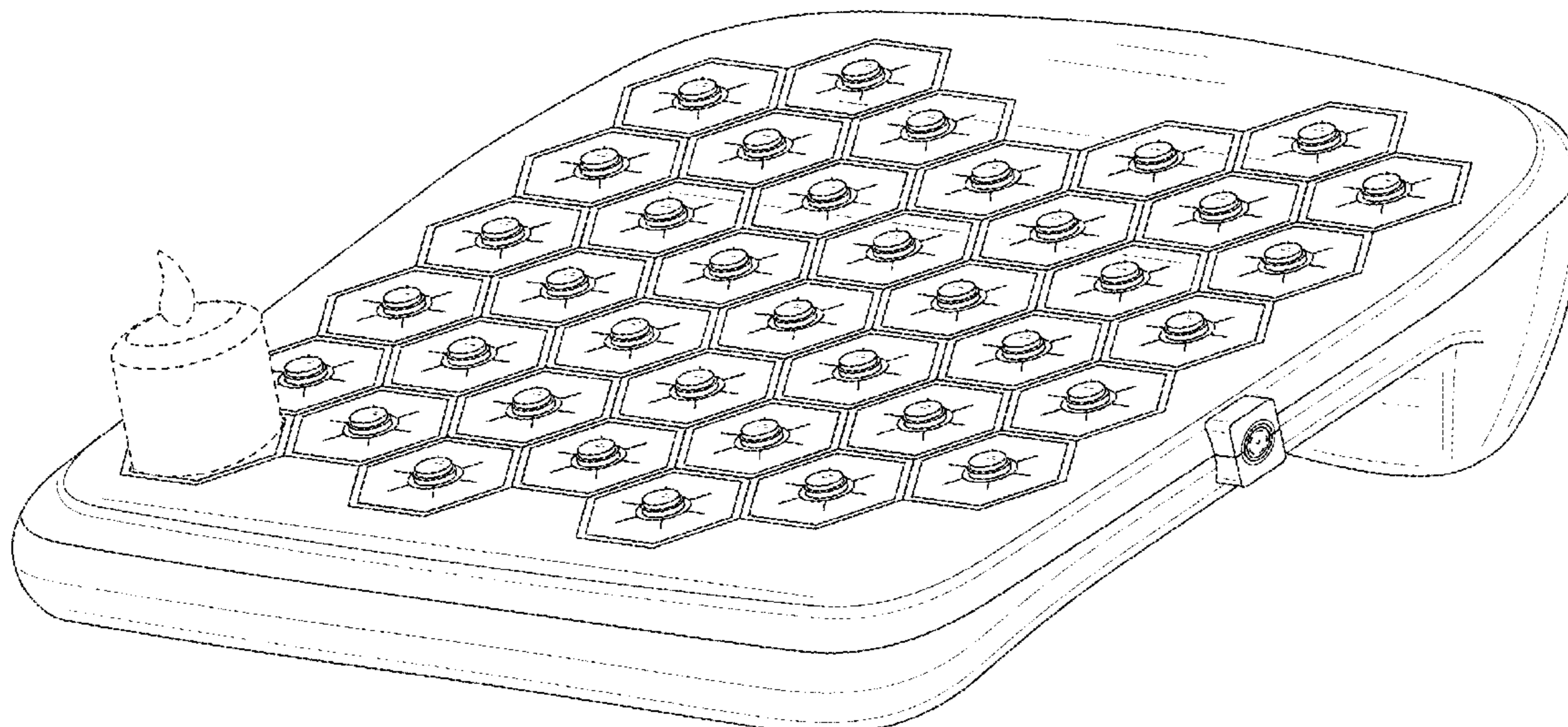
The ornamental design for a LED candle charging tray, as shown and described.

DESCRIPTION

FIG. 1 is a perspective view of a new and ornamental design for a LED candle charging tray;
 FIG. 2 is a front elevation view thereof;
 FIG. 3 is a rear elevation view thereof;
 FIG. 4 is a first side elevation view thereof;
 FIG. 5 is a second side elevation view thereof;
 FIG. 6 is a top plan view thereof; and,
 FIG. 7 is a bottom plan view thereof.

1 Claim, 7 Drawing Sheets

- (56) **References Cited**
U.S. PATENT DOCUMENTS
D294,212 S * 2/1988 Sias D6/587
5,863,637 A * 1/1999 M.ang.nsson A47G 27/0231
428/120



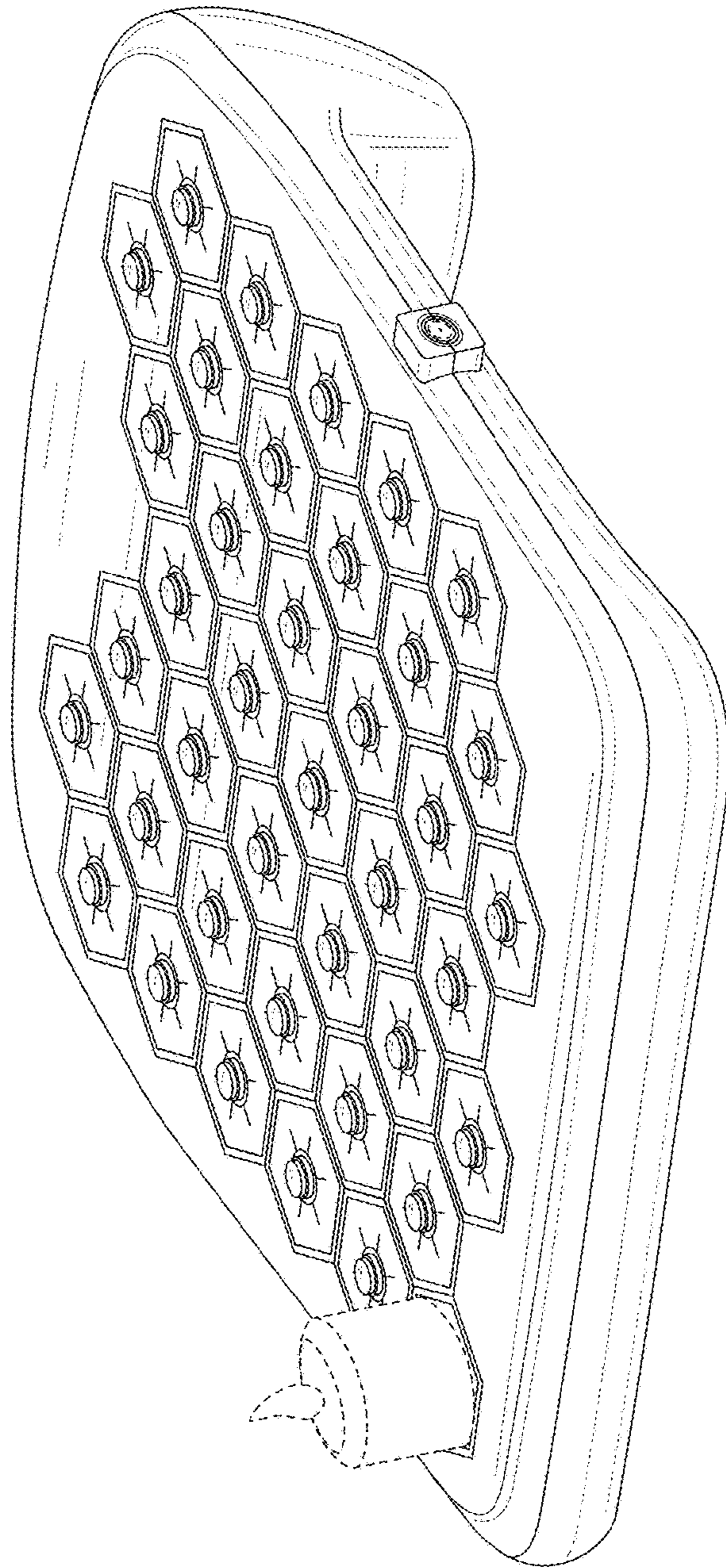


FIG. 1

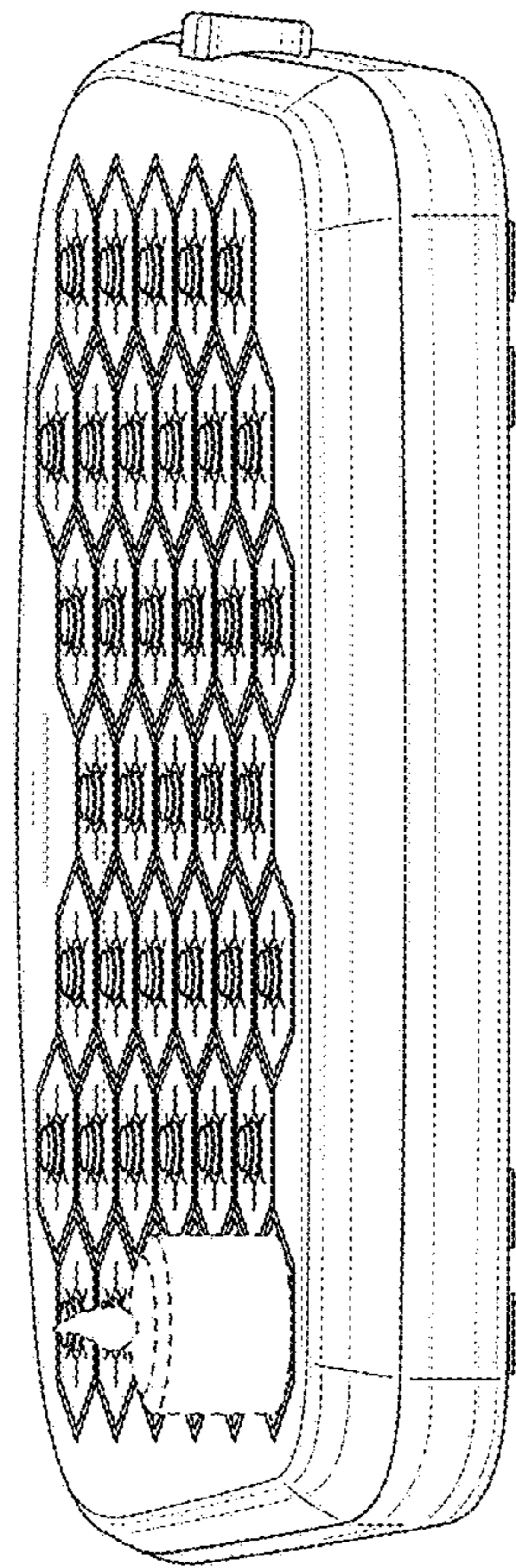


FIG. 2

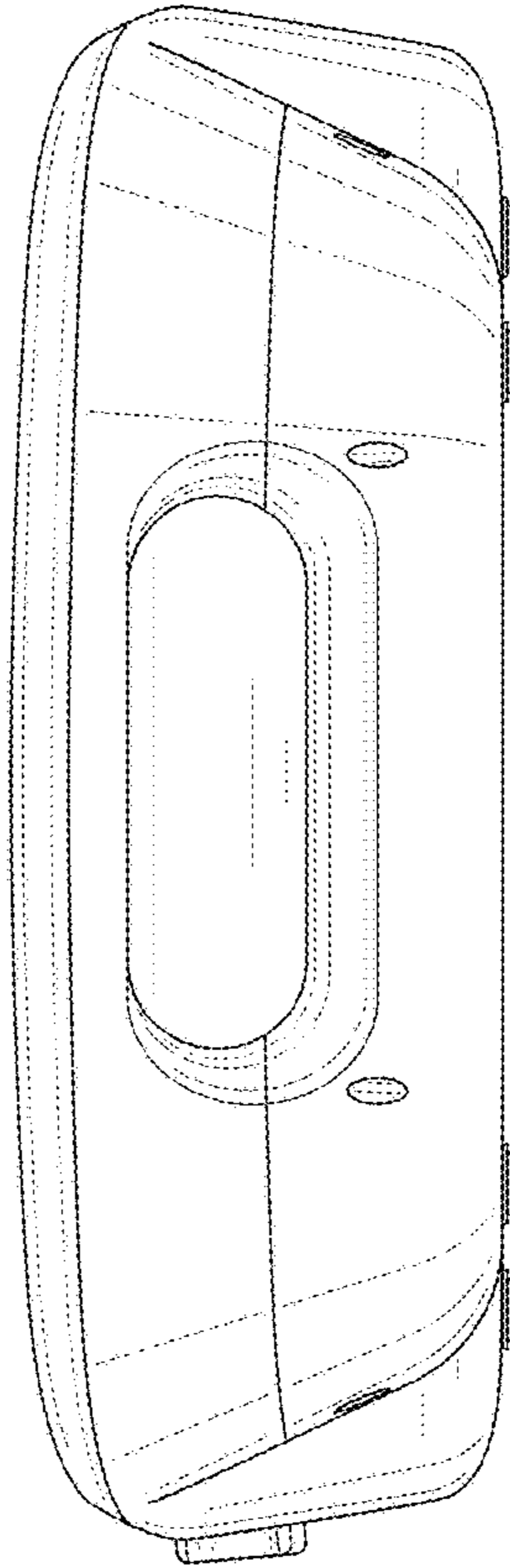


FIG. 3

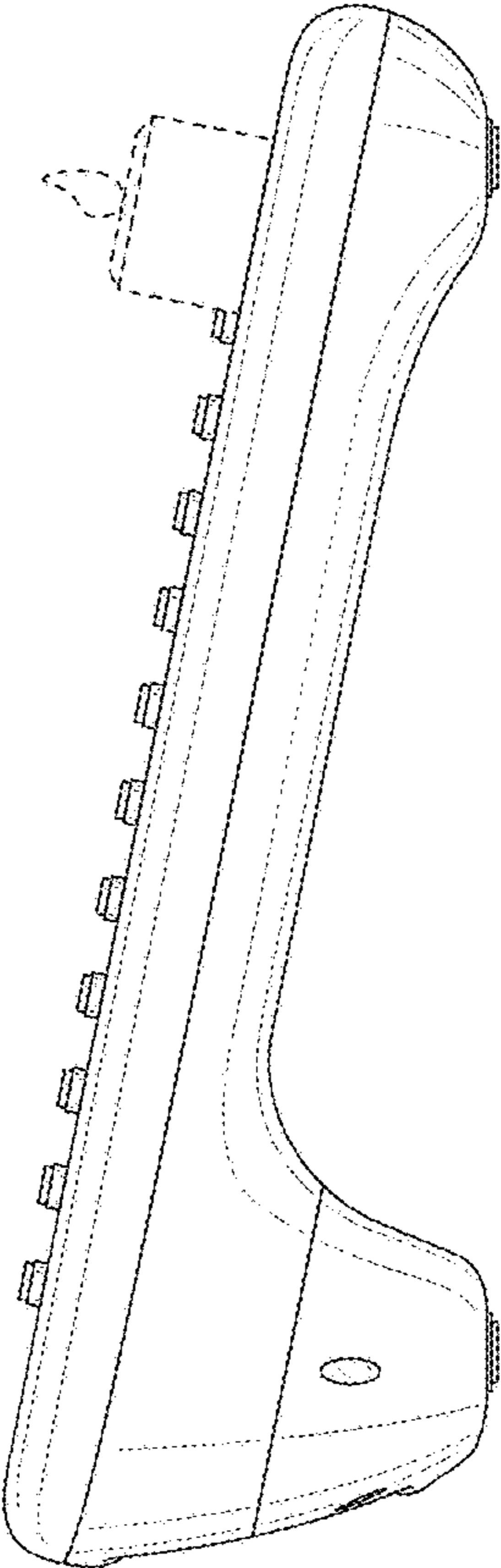


FIG. 4

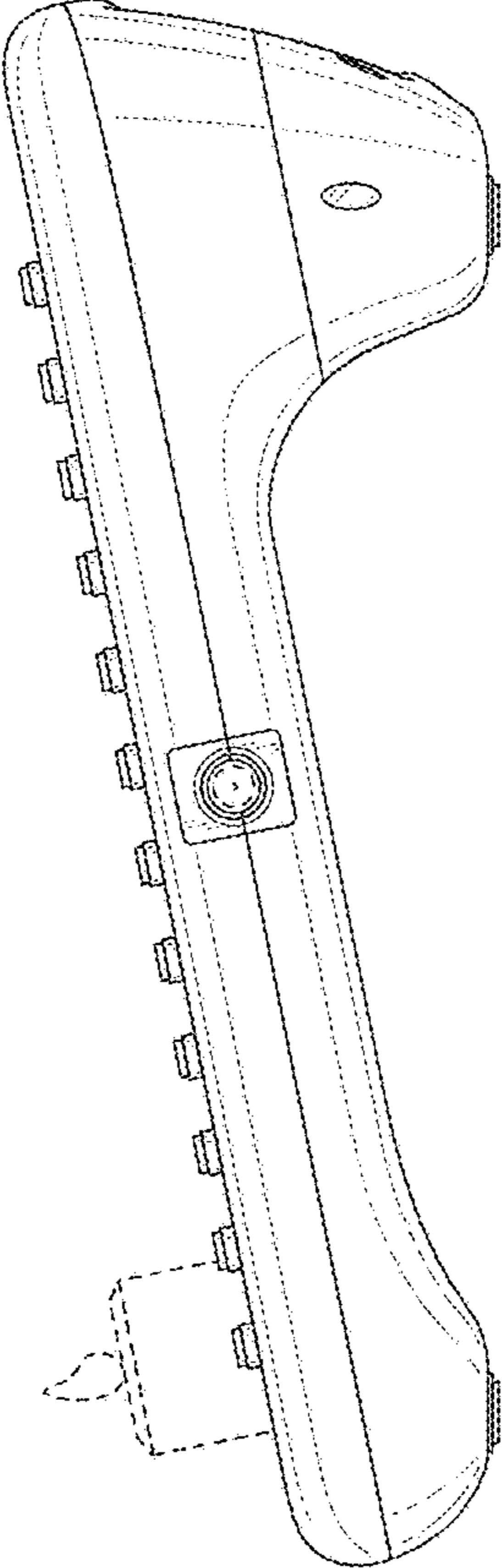


FIG. 5

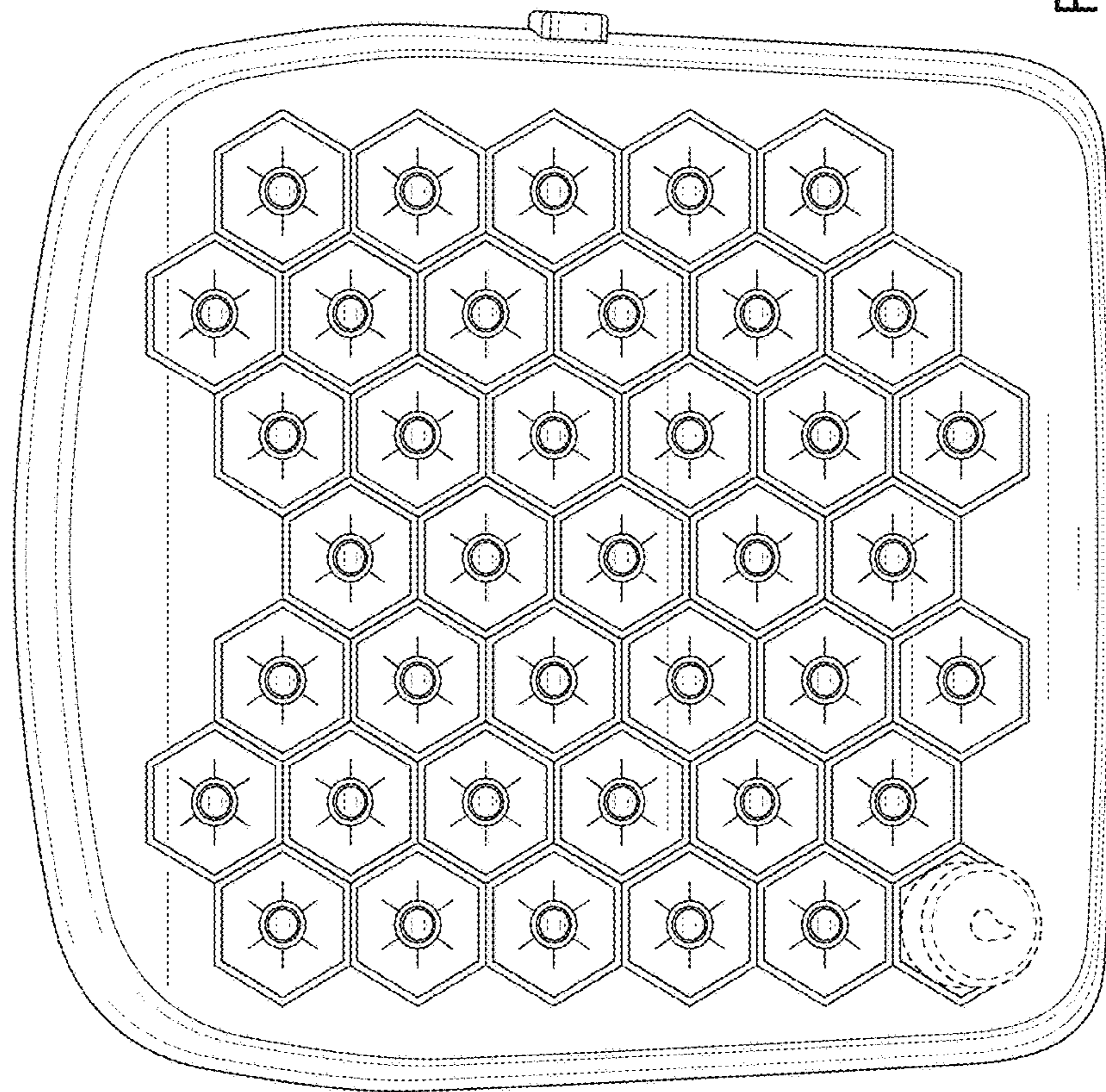


FIG. 6

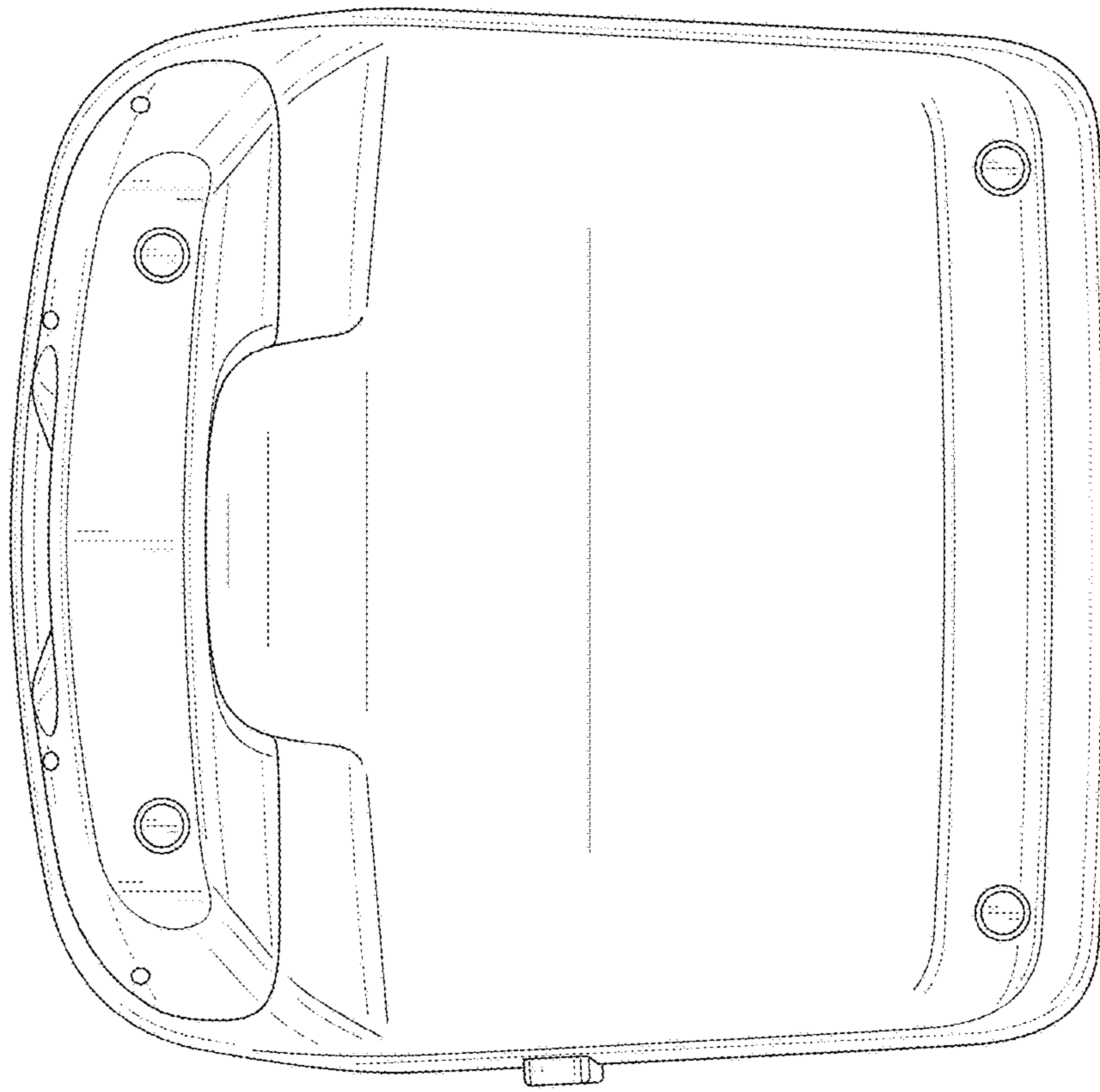


FIG. 7