



US00D853321S

(12) **United States Design Patent** (10) **Patent No.:** **US D853,321 S**  
**Sutenas** (45) **Date of Patent:** **\*\* Jul. 9, 2019**

(54) **ELECTRIC BATTERY**  
(71) Applicant: **ENERGUS POWER SOLUTIONS, UAB, Vilnius (LT)**  
(72) Inventor: **Sarunas Sutenas, Vilnius (LT)**  
(73) Assignee: **ENERGUS POWER SOLUTIONS, UAB, Vilnius (LT)**  
(\*\*) Term: **15 Years**  
(21) Appl. No.: **35/503,986**  
(22) Filed: **May 11, 2017**  
(80) **Hague Agreement Data**  
Int. Filing Date: **May 11, 2017**  
Int. Reg. No.: **DM/096036**  
Int. Reg. Date: **May 11, 2017**  
Int. Reg. Pub. Date: **Nov. 17, 2017**

(51) **LOC (11) Cl.** ..... **13-03**  
(52) **U.S. Cl.**  
USPC ..... **D13/103**  
(58) **Field of Classification Search**  
USPC ..... D13/103, 119, 314, 107; D14/314, 433,  
D14/356, 250; 429/120, 246, 405;  
324/434  
CPC ..... H01M 2/40; H01M 2/1626; H01M 2/362;  
G01R 31/3624  
See application file for complete search history.

(56) **References Cited**  
U.S. PATENT DOCUMENTS  
5,093,213 A \* 3/1992 O'Callaghan ..... H01M 2/40  
429/120  
D762,633 S \* 8/2016 Fife ..... D14/250  
D767,486 S \* 9/2016 Yu ..... D13/103  
D768,073 S \* 10/2016 Kim ..... D13/103  
D771,561 S \* 11/2016 Walker ..... D13/103  
D794,554 S \* 8/2017 Chang ..... D13/103

D800,058 S \* 10/2017 Qiu ..... D13/103  
D808,898 S \* 1/2018 Walker ..... D13/103  
D810,021 S \* 2/2018 Iwai ..... D13/119  
D819,561 S \* 6/2018 Wang ..... D13/103  
D820,200 S \* 6/2018 Takahashi ..... D13/103  
D821,967 S \* 7/2018 Narendra ..... D13/103  
D822,593 S \* 7/2018 Trongone ..... D13/103  
D823,239 S \* 7/2018 Gupta ..... D13/103  
D823,242 S \* 7/2018 Jun ..... D13/103  
D823,788 S \* 7/2018 Wei ..... D13/103  
D823,793 S \* 7/2018 Xianxi ..... D13/107  
D824,326 S \* 7/2018 Yu ..... D13/103  
D824,327 S \* 7/2018 Kim ..... D13/103  
D824,385 S \* 7/2018 Peiker ..... D14/356  
D824,387 S \* 7/2018 Oberpriller ..... D14/433  
D824,900 S \* 8/2018 Wu ..... D14/356  
D825,455 S \* 8/2018 Liu ..... D13/103  
D825,456 S \* 8/2018 Daravong ..... D13/103  
D825,465 S \* 8/2018 Deng ..... D13/119  
D825,551 S \* 8/2018 Akana ..... D14/314  
2010/0203394 A1 \* 8/2010 Bae ..... H01M 2/1626  
429/246  
2013/0034781 A1 \* 2/2013 Khasin ..... H01M 2/362  
429/405

(Continued)

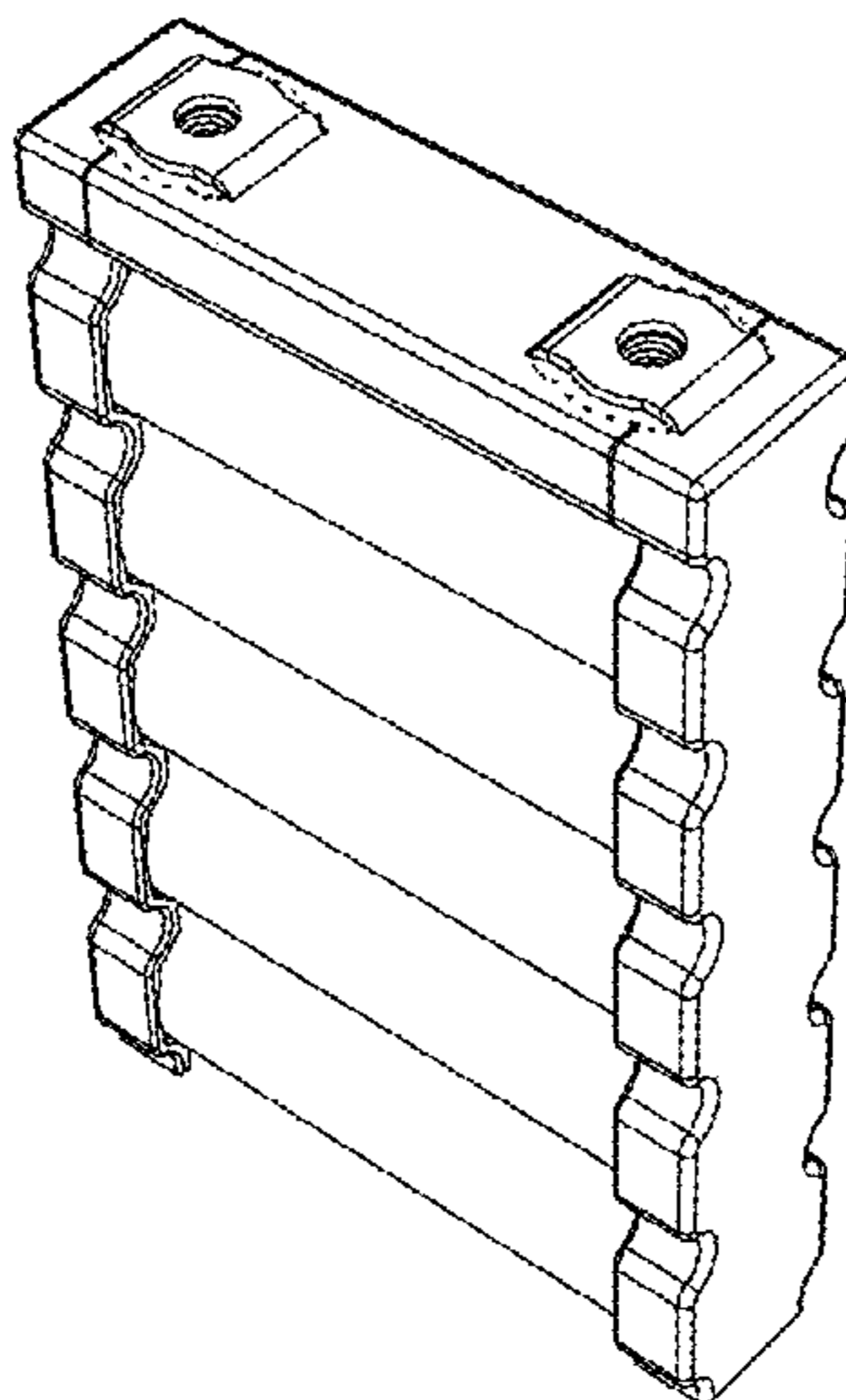
*Primary Examiner* — Rhea Shields  
(74) *Attorney, Agent, or Firm* — Moser Taboada

(57) **CLAIM**  
The ornamental design for an electric battery, as shown and described.

**DESCRIPTION**

1. Batteries, electric  
**1.1** is a perspective view of a electric battery embodying the new design;  
**1.2** is a side view of the design of **1.1**;  
**1.3** is a front view of the design of **1.1**; and  
**1.4** is a top view of the design of **1.1**.  
In the reproductions, the broken lines are for the purpose of illustrating environment only and form no part of the claimed design.

**1 Claim, 4 Drawing Sheets**



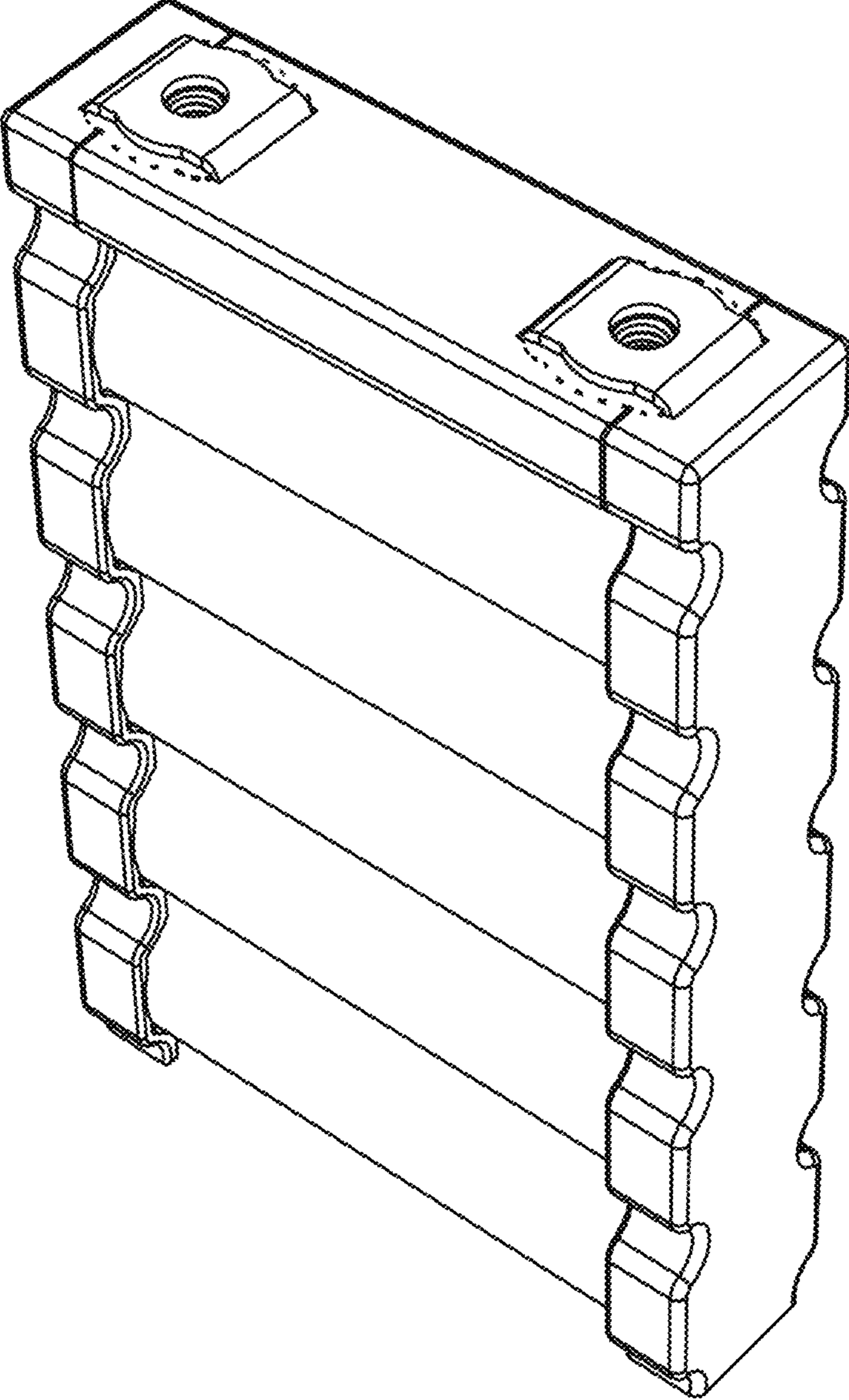
(56)

**References Cited**

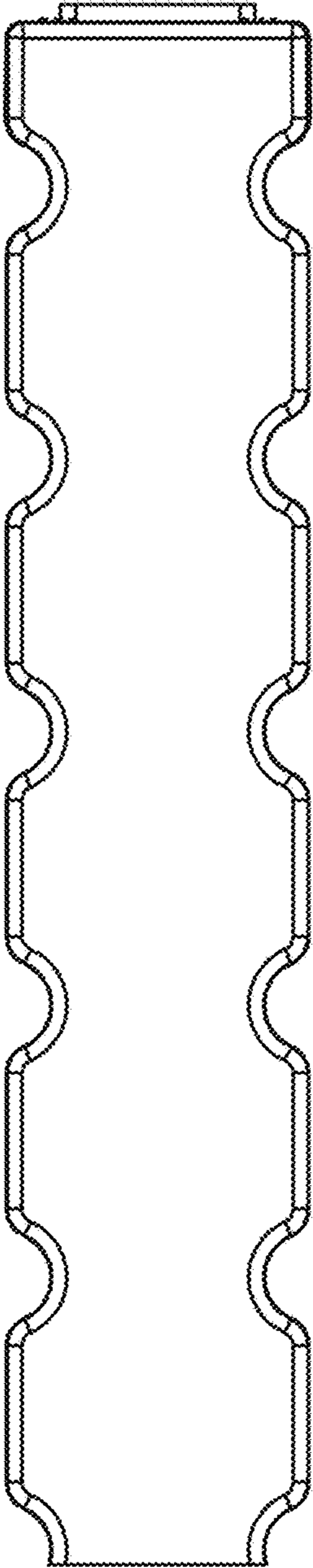
U.S. PATENT DOCUMENTS

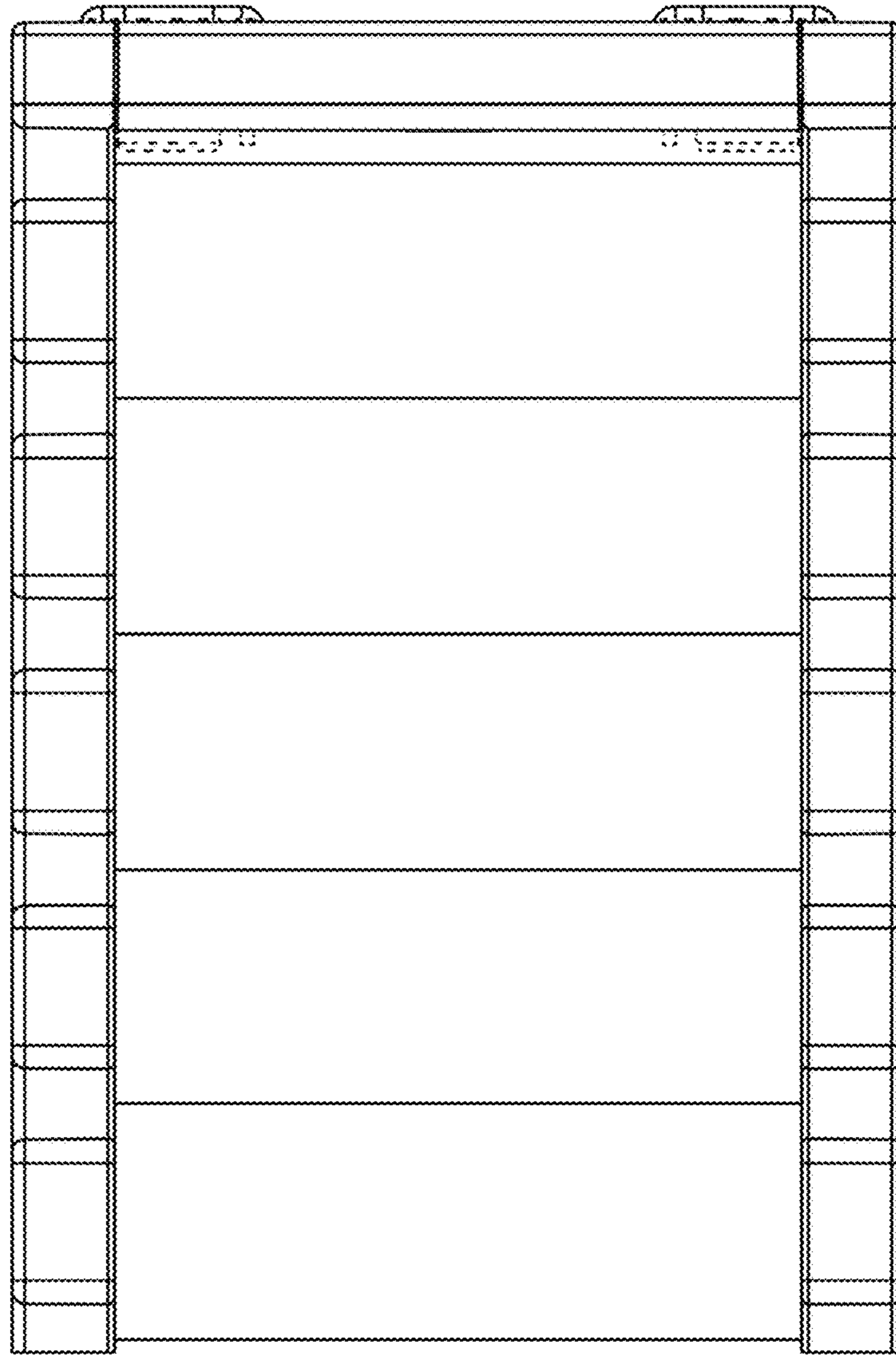
2013/0342213 A1 \* 12/2013 Seol ..... G01R 31/3624  
324/434

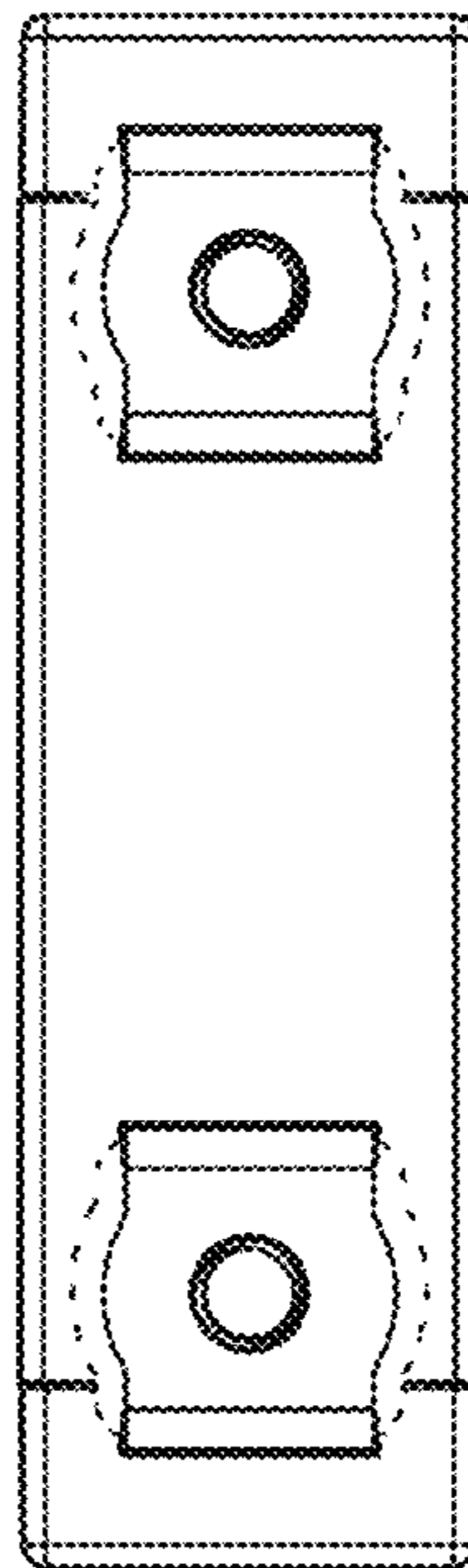
\* cited by examiner



1.1







1.4