



US00D853316S

(12) **United States Design Patent**  
**Sato et al.**

(10) **Patent No.:** **US D853,316 S**  
(45) **Date of Patent:** **\*\* Jul. 9, 2019**

(54) **MOTORCYCLE TIRE**

(74) *Attorney, Agent, or Firm* — Sughrue Mion, PLLC

(71) Applicant: **BRIDGESTONE CORPORATION**,  
Tokyo (JP)

(57) **CLAIM**

(72) Inventors: **Akihiko Sato**, Tokyo (JP); **Masatomo Oshima**, Tokyo (JP)

The ornamental design for a motorcycle tire, as shown and described.

(73) Assignee: **BRIDGESTONE CORPORATION**,  
Tokyo (JP)

**DESCRIPTION**

(\*\*) Term: **15 Years**

(21) Appl. No.: **29/645,024**

(22) Filed: **Apr. 23, 2018**

(30) **Foreign Application Priority Data**

Nov. 7, 2017 (JP) ..... 2017-024845  
Nov. 7, 2017 (JP) ..... 2017-024846  
Nov. 7, 2017 (JP) ..... 2017-024847

(51) **LOC (11) Cl.** ..... **12-15**

(52) **U.S. Cl.**  
USPC ..... **D12/535**

(58) **Field of Classification Search**  
USPC ..... D12/533–567  
CPC ..... B60C 11/0306; B60C 11/0311; B60C  
2011/0339; B60C 2011/0341; B60C  
(Continued)

(56) **References Cited**

**U.S. PATENT DOCUMENTS**

D502,442 S \* 3/2005 Brown ..... D12/535  
D528,970 S \* 9/2006 Board ..... D12/535  
D528,971 S \* 9/2006 Board ..... D12/535  
(Continued)

**FOREIGN PATENT DOCUMENTS**

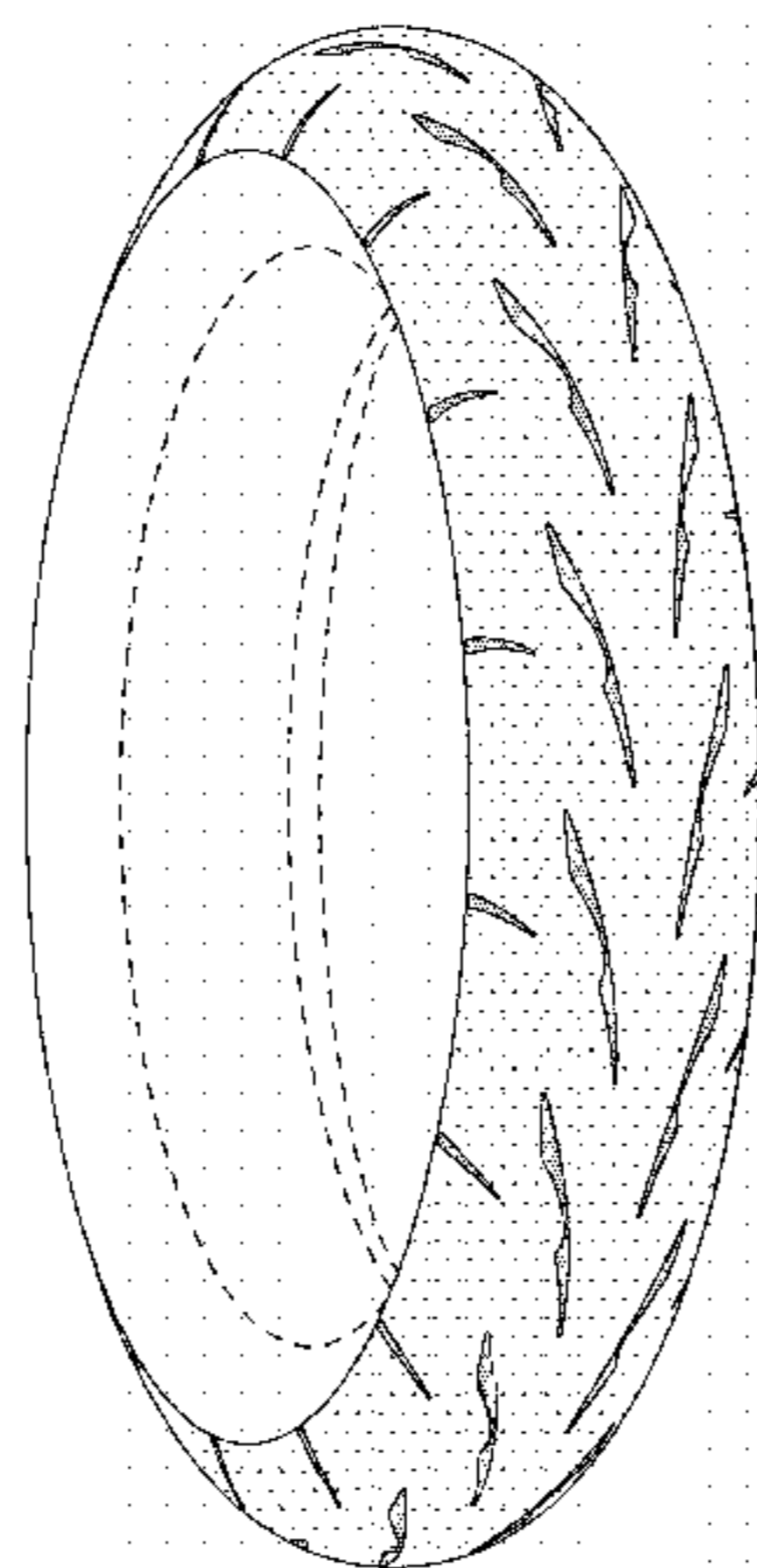
JP 1553216 S 7/2016

*Primary Examiner* — George D. Kirschbaum

*Assistant Examiner* — Joseph J Kukella

FIG. 1 is a perspective view of a first embodiment of a motorcycle tire showing our design;  
FIG. 2 is a front view thereof;  
FIG. 3 is a top view thereof;  
FIG. 4 is a right side view thereof;  
FIG. 5 is a left side view thereof;  
FIG. 6 is a fragmentary enlarged front view;  
FIG. 7 is an end view taken along line 7-7 in FIG. 6; and  
FIG. 8 is an end view taken along line 8-8 in FIG. 6.  
FIG. 9 is a perspective view of a second embodiment of a motorcycle tire showing our design;  
FIG. 10 is a front view thereof;  
FIG. 11 is a top view thereof;  
FIG. 12 is a right side view thereof;  
FIG. 13 is a left side view thereof;  
FIG. 14 is a fragmentary enlarged front view;  
FIG. 15 is an end view taken along line 15-15 in FIG. 14; and  
FIG. 16 is an end view taken along line 16-16 in FIG. 14.  
FIG. 17 is a perspective view of a third embodiment of a motorcycle tire showing our design;  
FIG. 18 is a front view thereof;  
FIG. 19 is a top view thereof;  
FIG. 20 is a right side view thereof;  
FIG. 21 is a left side view thereof;  
FIG. 22 is a fragmentary enlarged front view;  
FIG. 23 is an end view taken along line 23-23 in FIG. 22; and  
FIG. 24 is an end view taken along line 24-24 in FIG. 22.  
The broken lines in the drawings are intended to show portions of the motorcycle tire that are not being claimed, and thus form no part of the claimed design.

**1 Claim, 24 Drawing Sheets**



(58) **Field of Classification Search**

CPC ..... 2011/0358; B60C 2011/0374; B60C  
2011/0381; B60C 2200/00; B60C  
2200/10

See application file for complete search history.

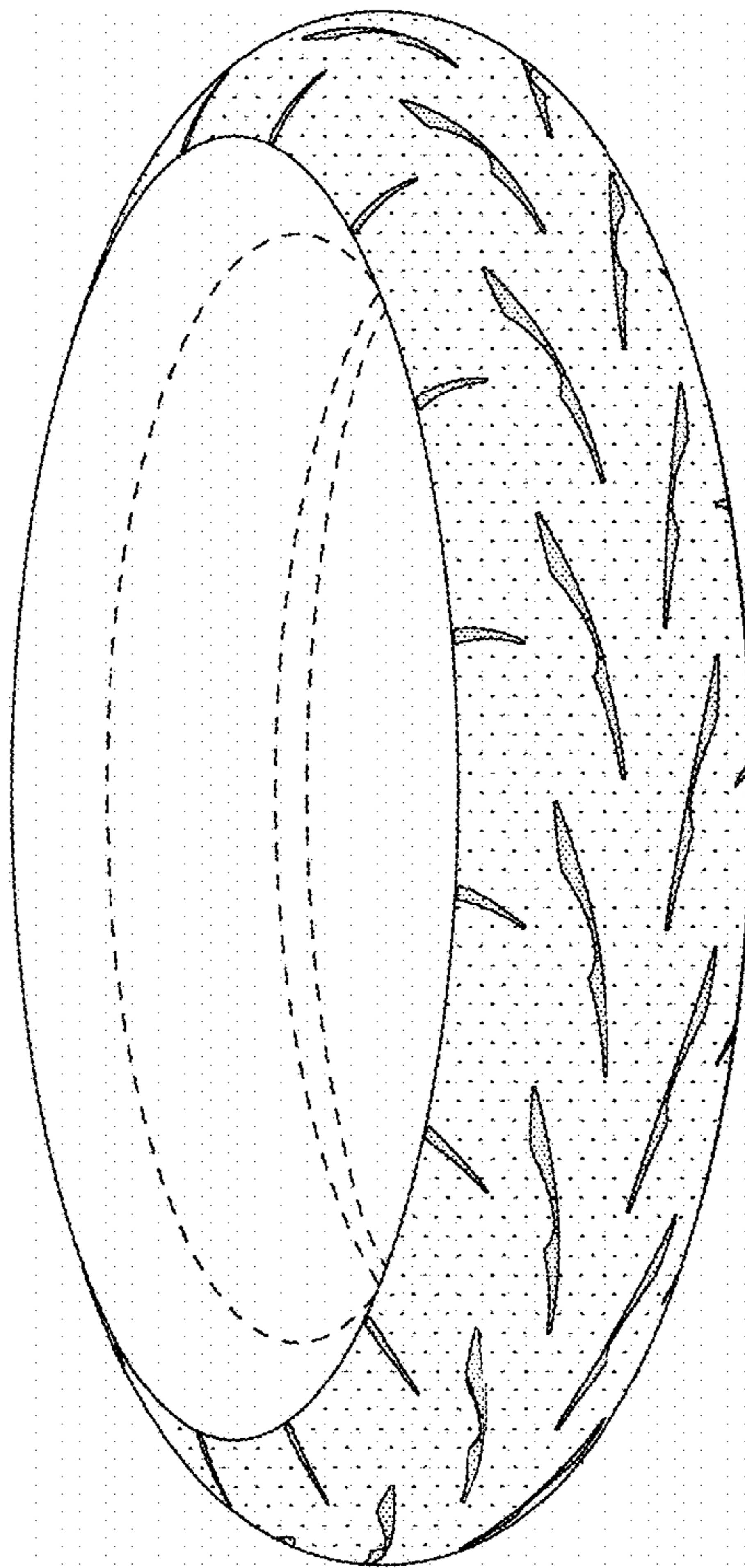
(56) **References Cited**

U.S. PATENT DOCUMENTS

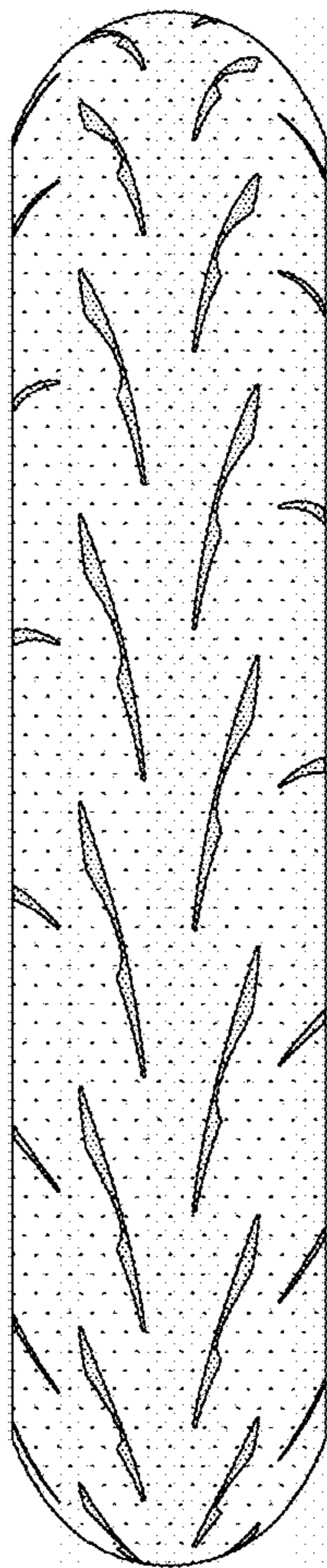
D551,159	S	*	9/2007	Matsunami	.....	D12/535
D557,198	S	*	12/2007	Matsunami	.....	D12/535
D579,856	S	*	11/2008	Watkins	.....	D12/535
D636,720	S	*	4/2011	Oshima	.....	D12/535
D685,721	S	*	7/2013	Bell	.....	D12/535
D687,368	S	*	8/2013	Takenaka	.....	D12/535
D687,764	S	*	8/2013	Takenaka	.....	D12/535
D718,221	S	*	11/2014	Rampton	.....	D12/535
D718,700	S	*	12/2014	Yao	.....	D12/535
D779,413	S	*	2/2017	Otani	.....	D12/535
D832,190	S	*	10/2018	Kono	.....	D12/535
D833,374	S	*	11/2018	Oshima	.....	D12/535

\* cited by examiner

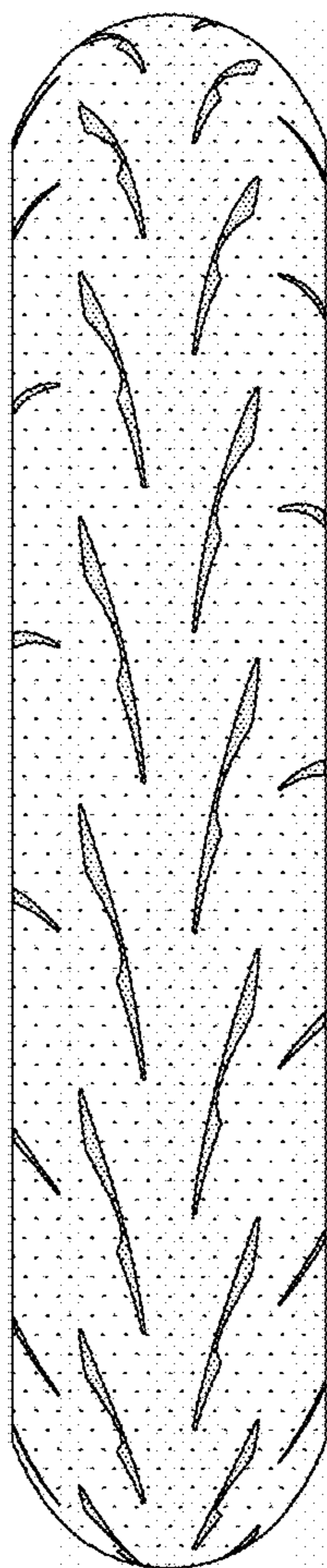
*FIG. 1*



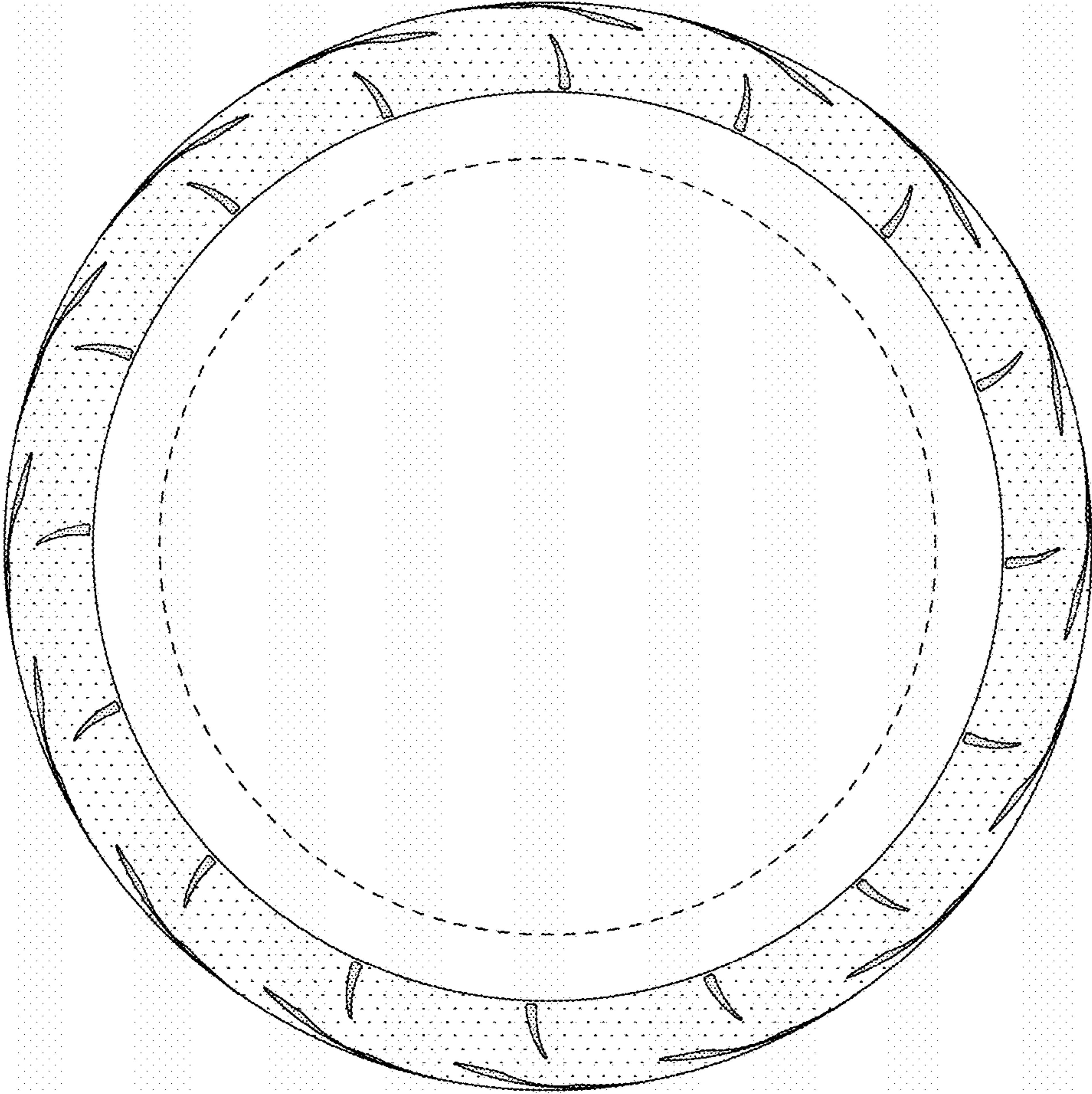
*FIG. 2*



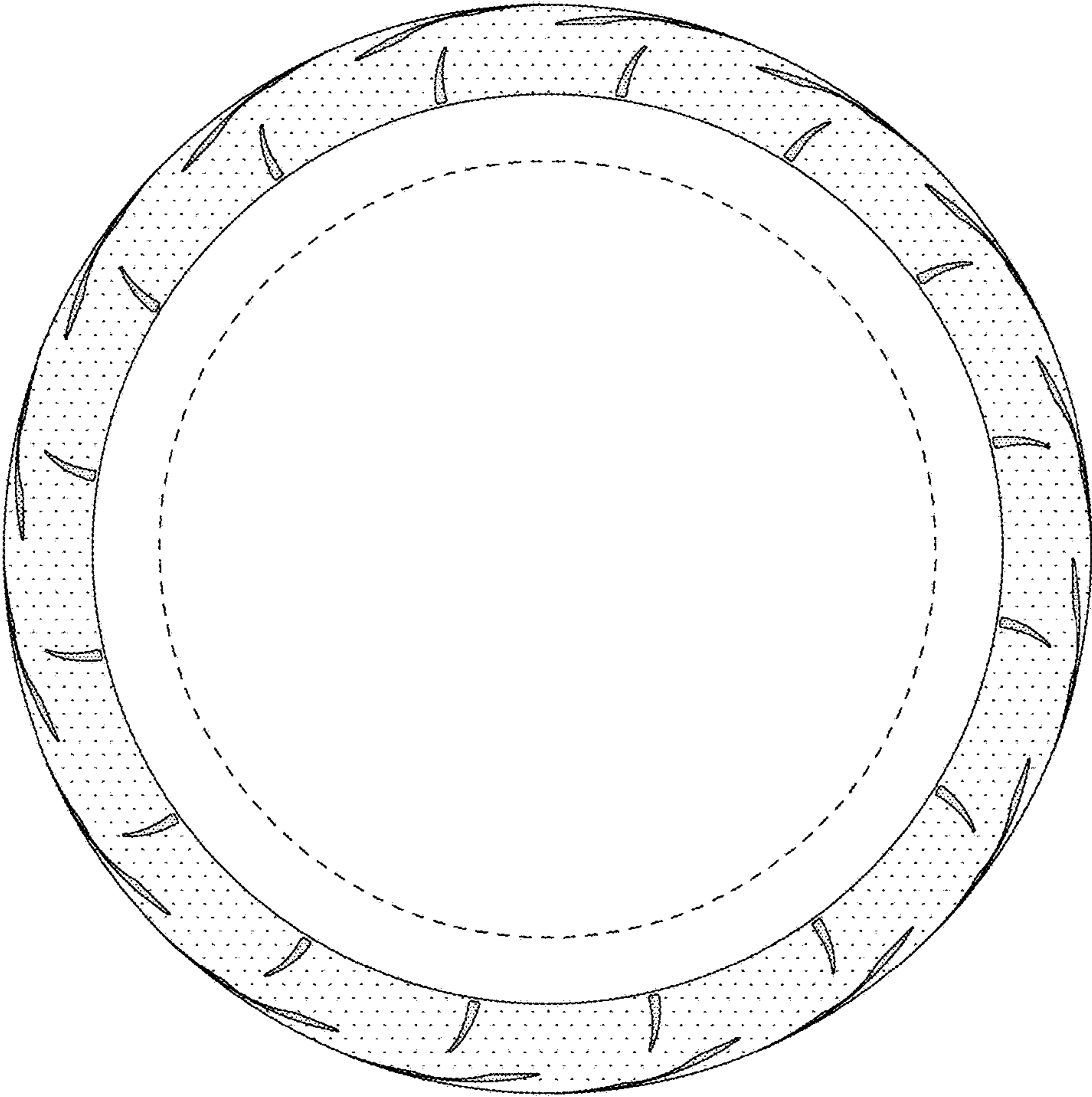
*FIG. 3*



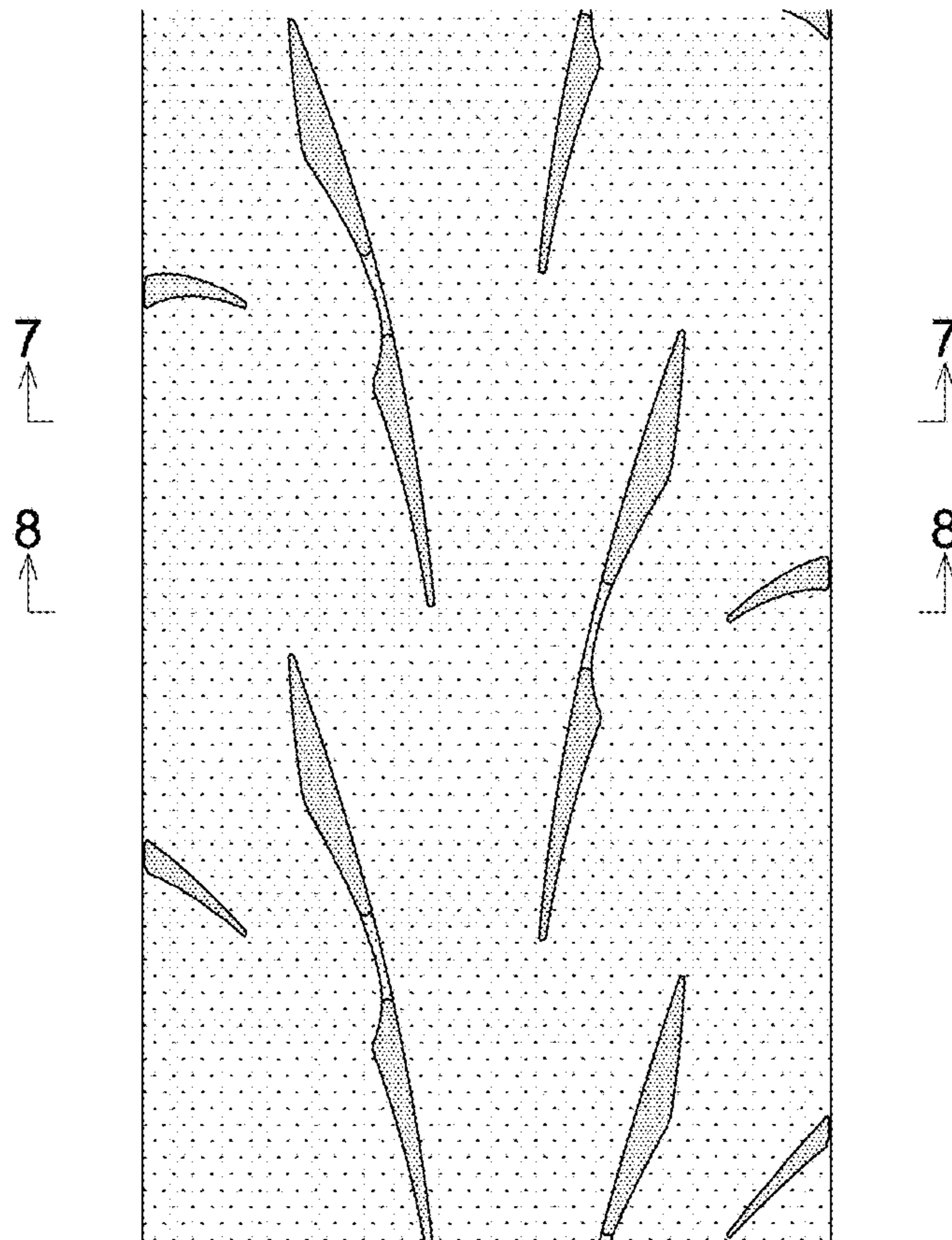
*FIG. 4*



*FIG. 5*

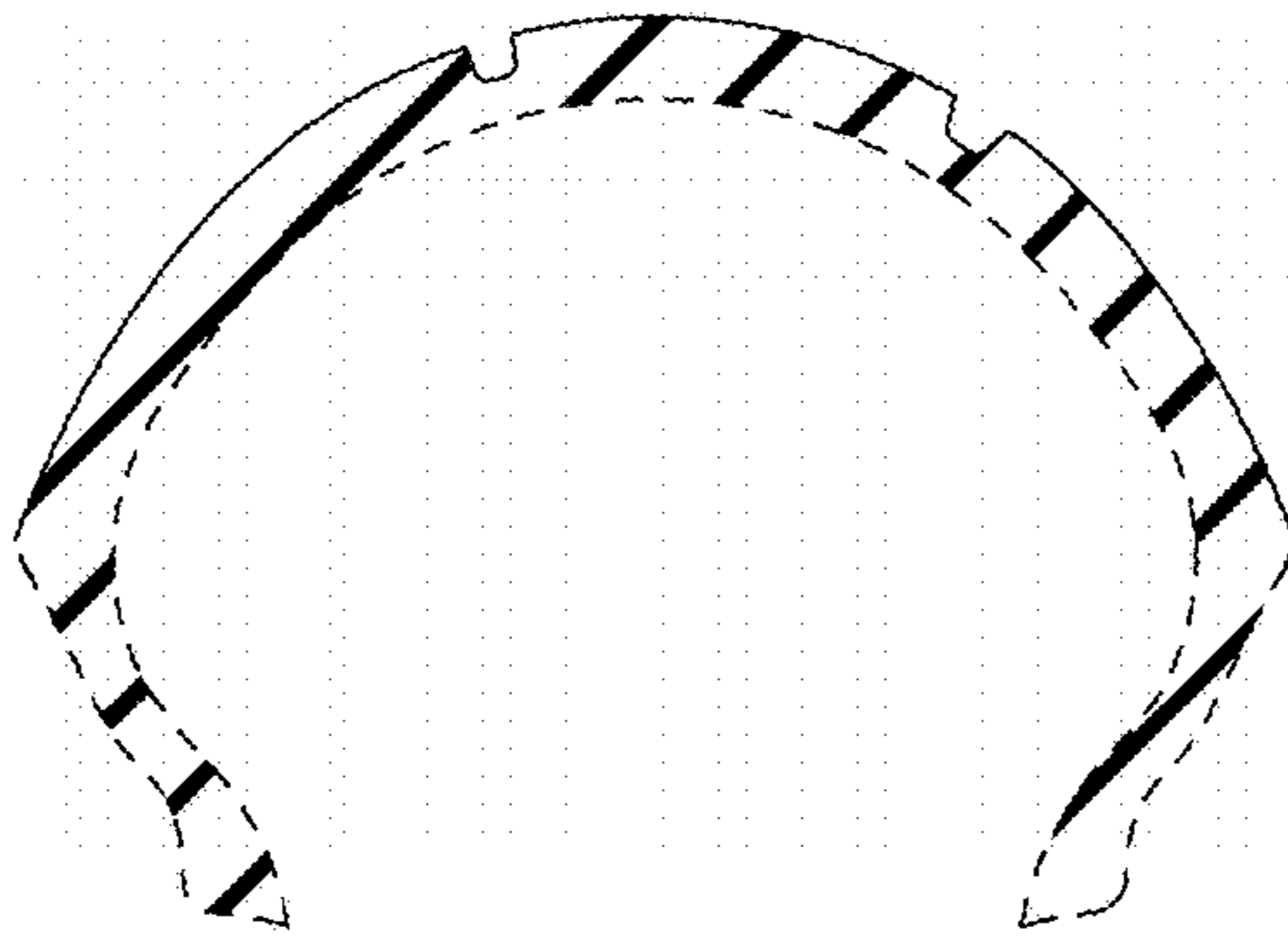


*FIG. 6*

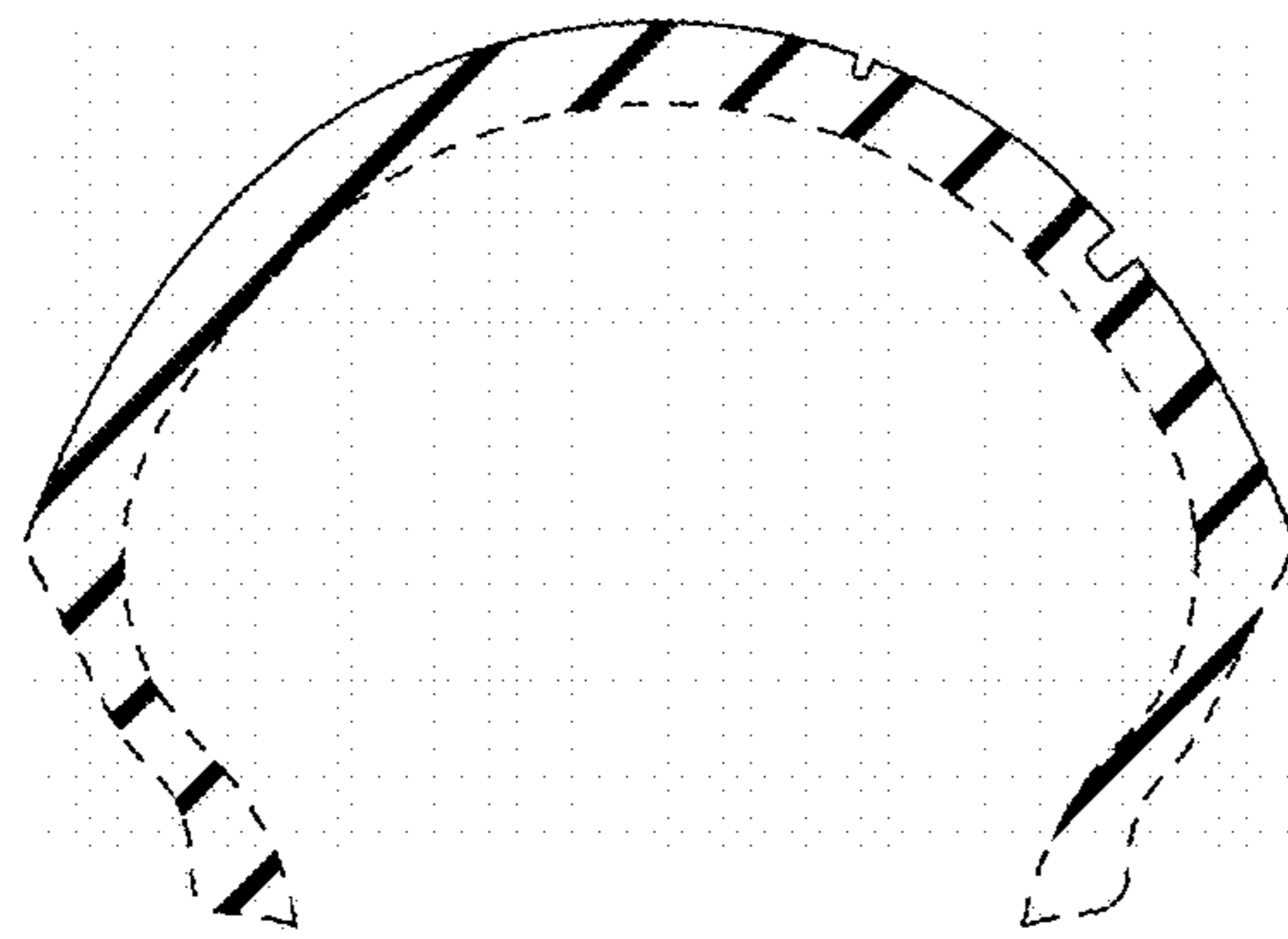




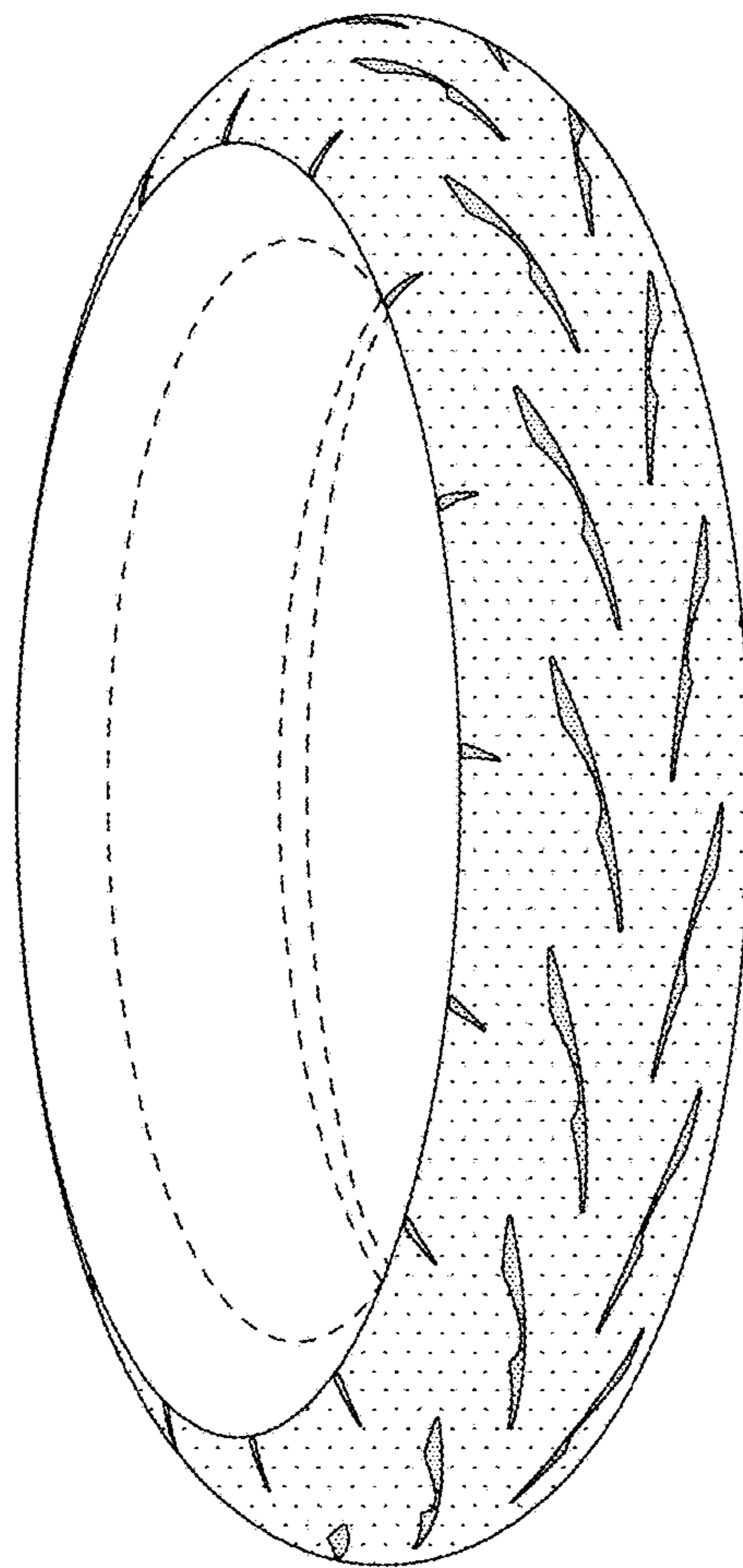
*FIG. 7*



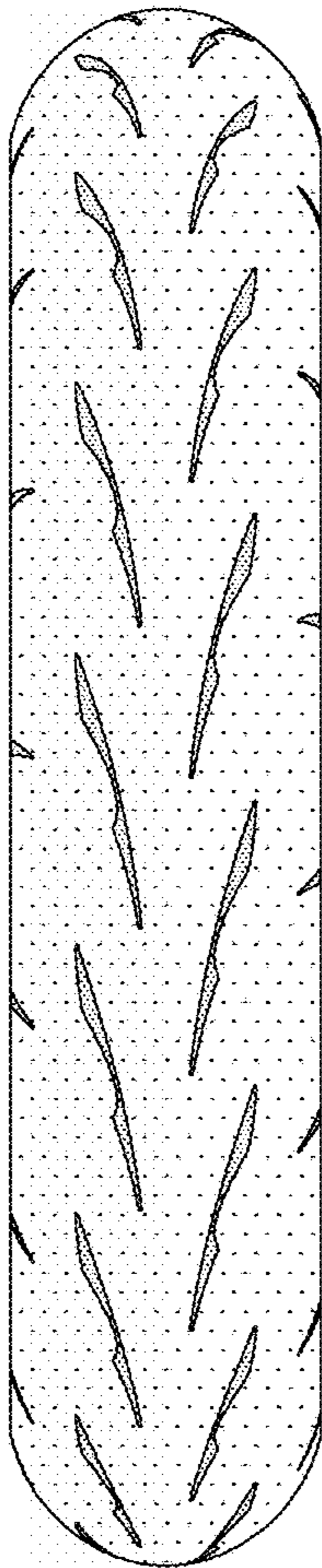
*FIG. 8*



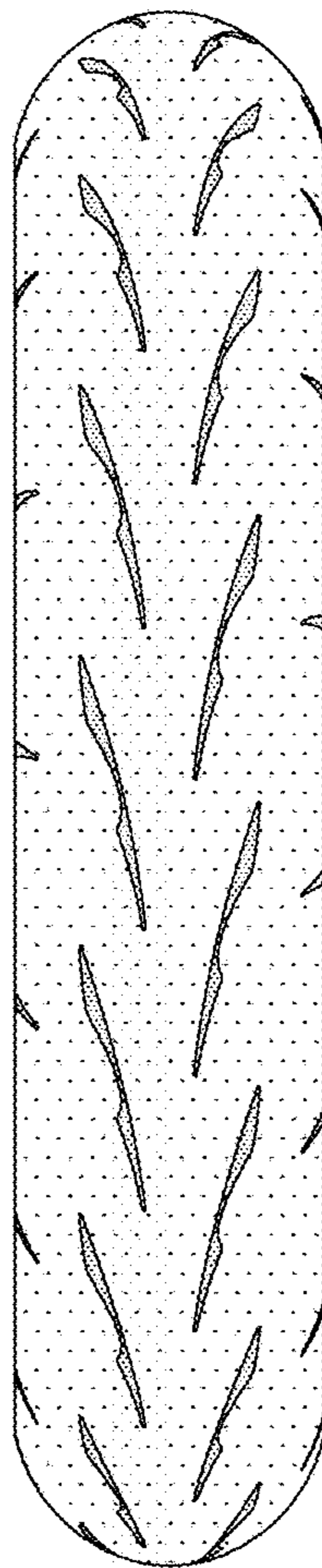
*FIG. 9*



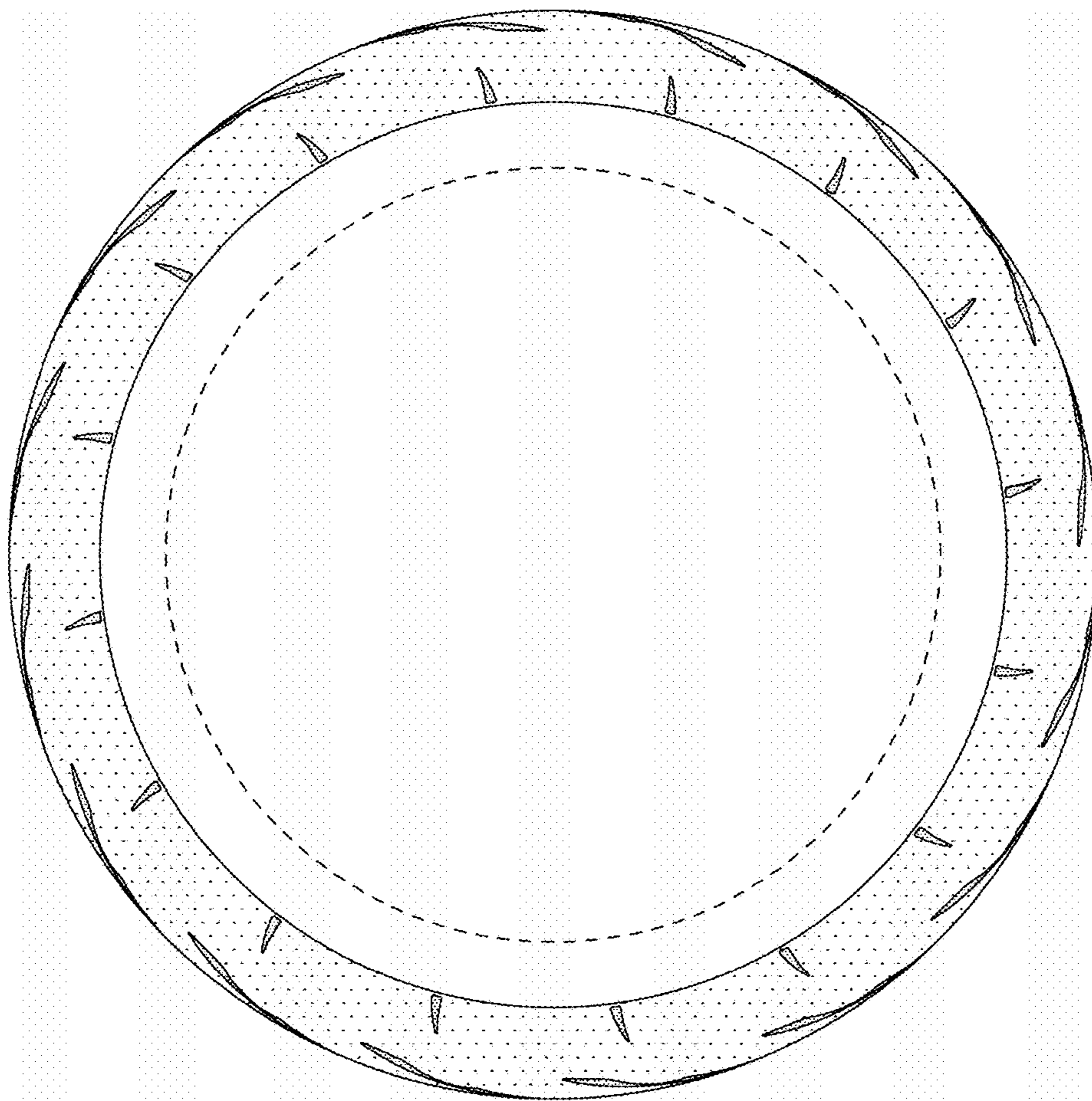
*FIG. 10*



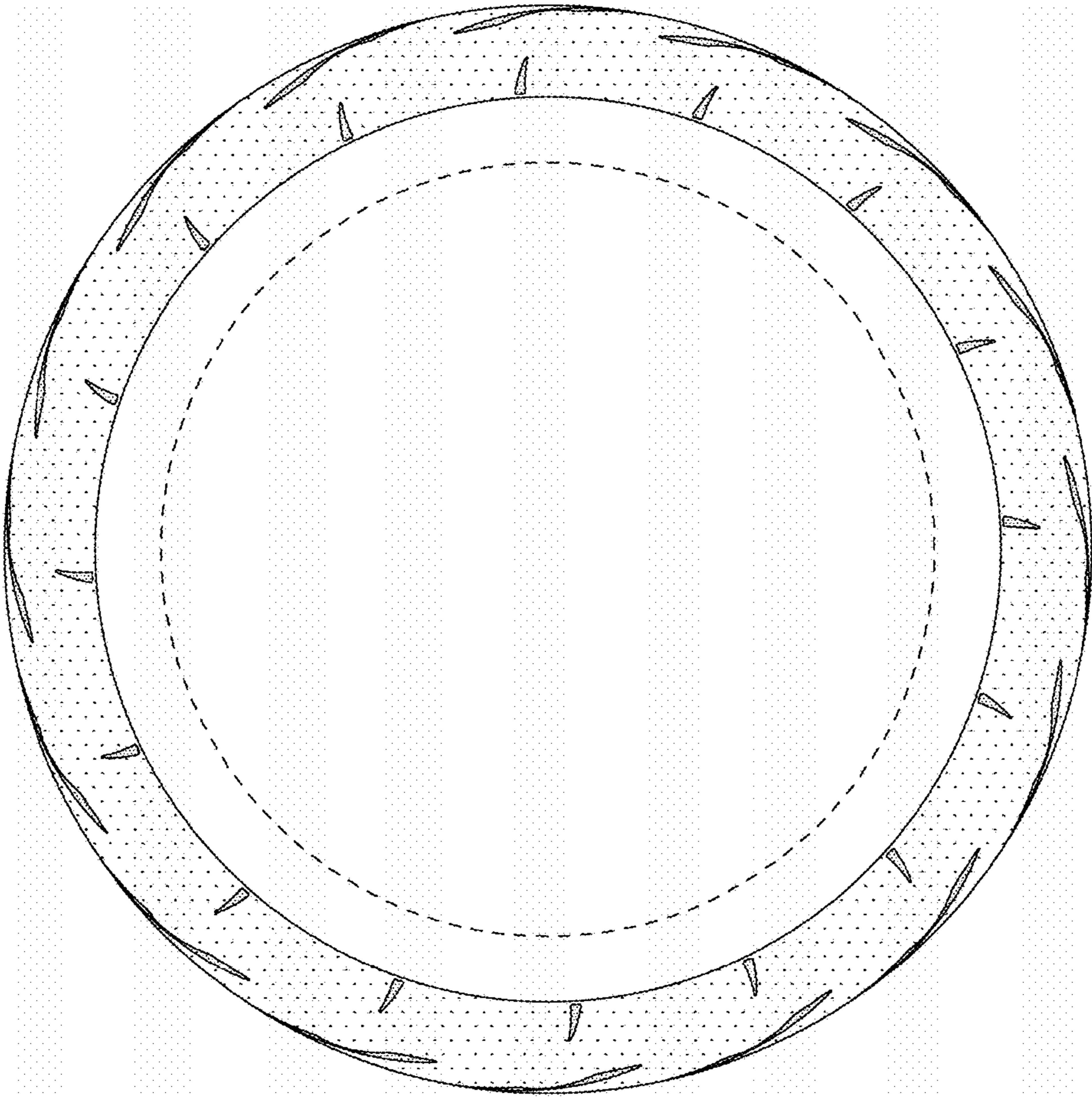
*FIG. 11*



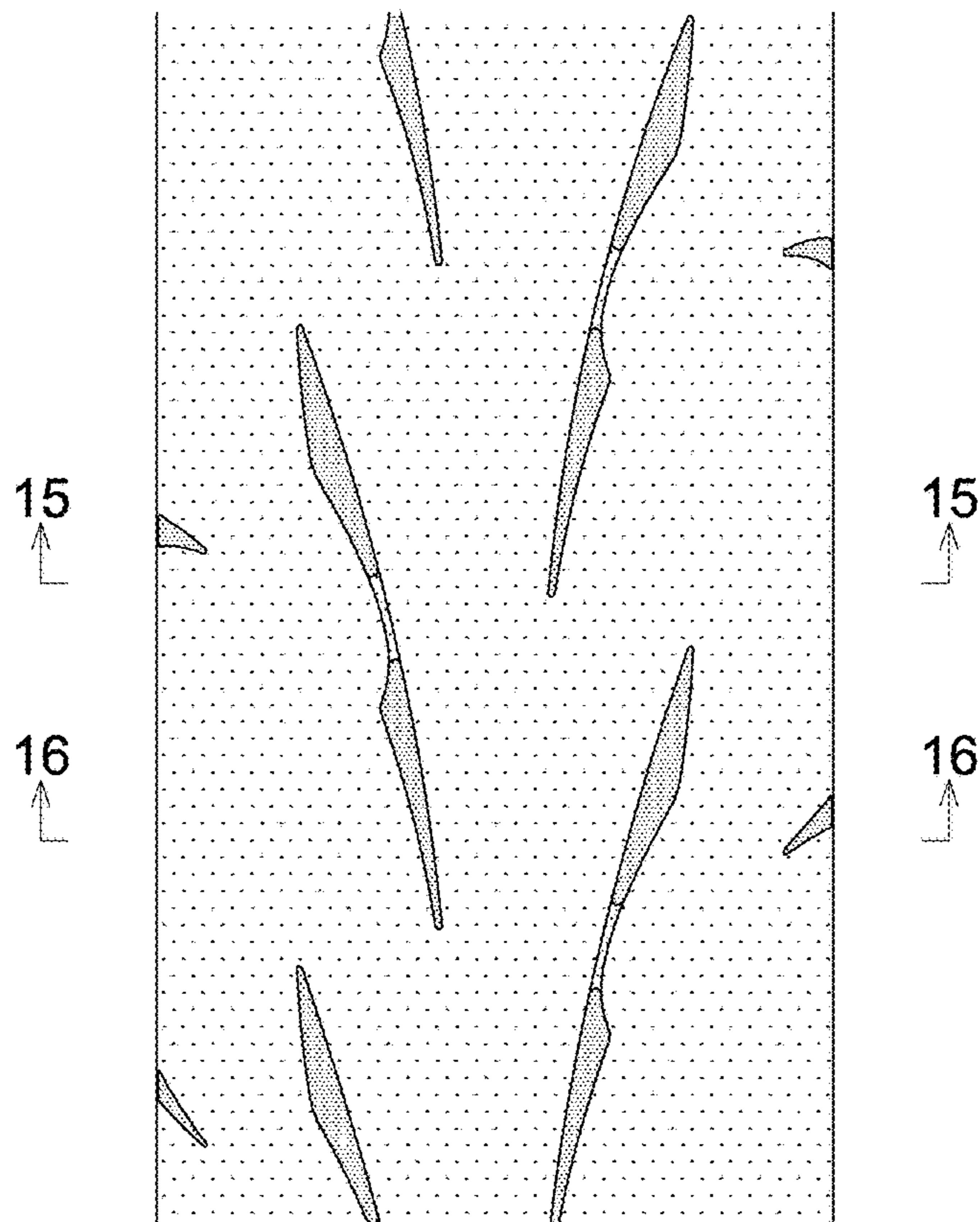
*FIG. 12*



*FIG. 13*

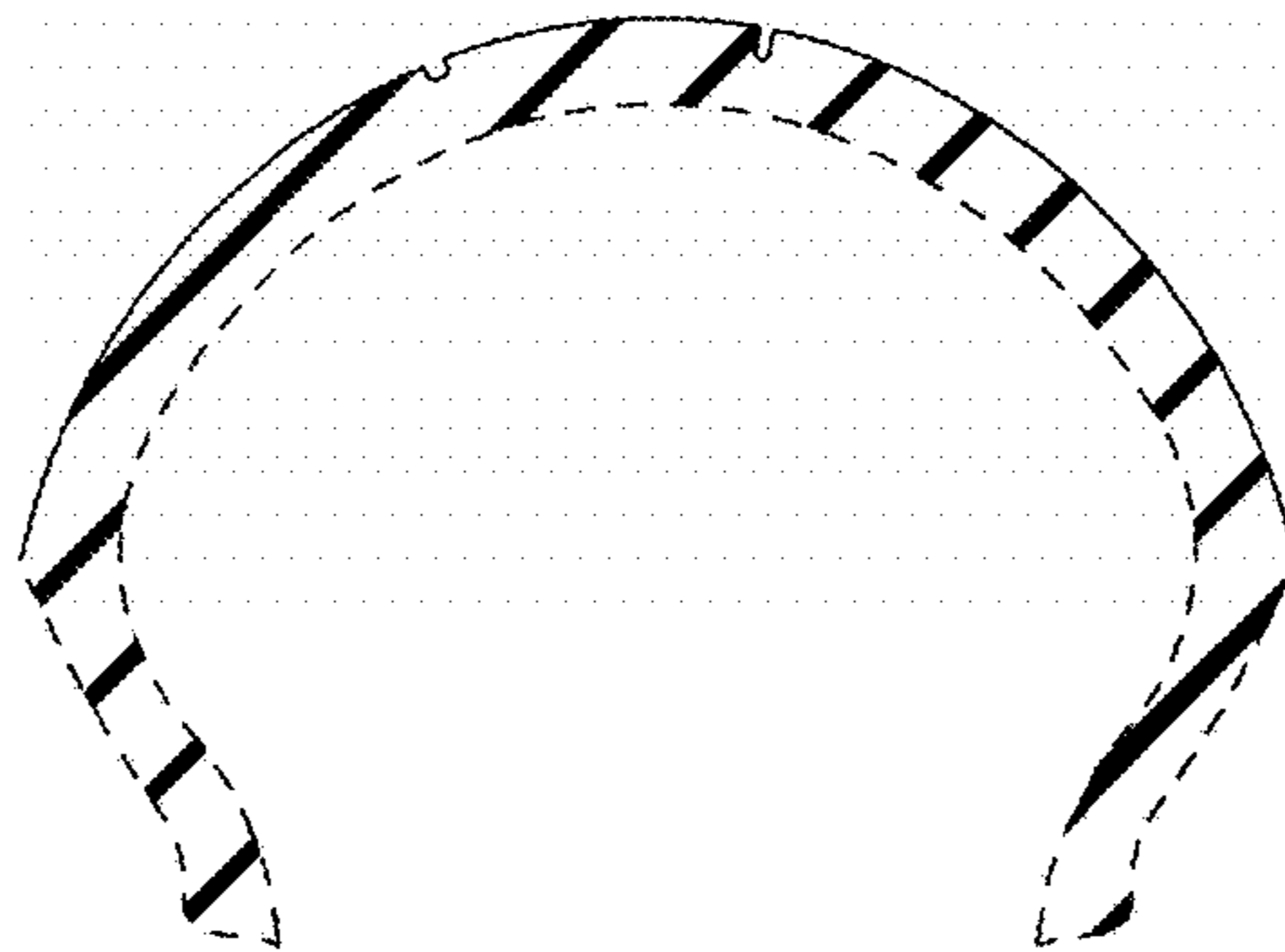


*FIG. 14*

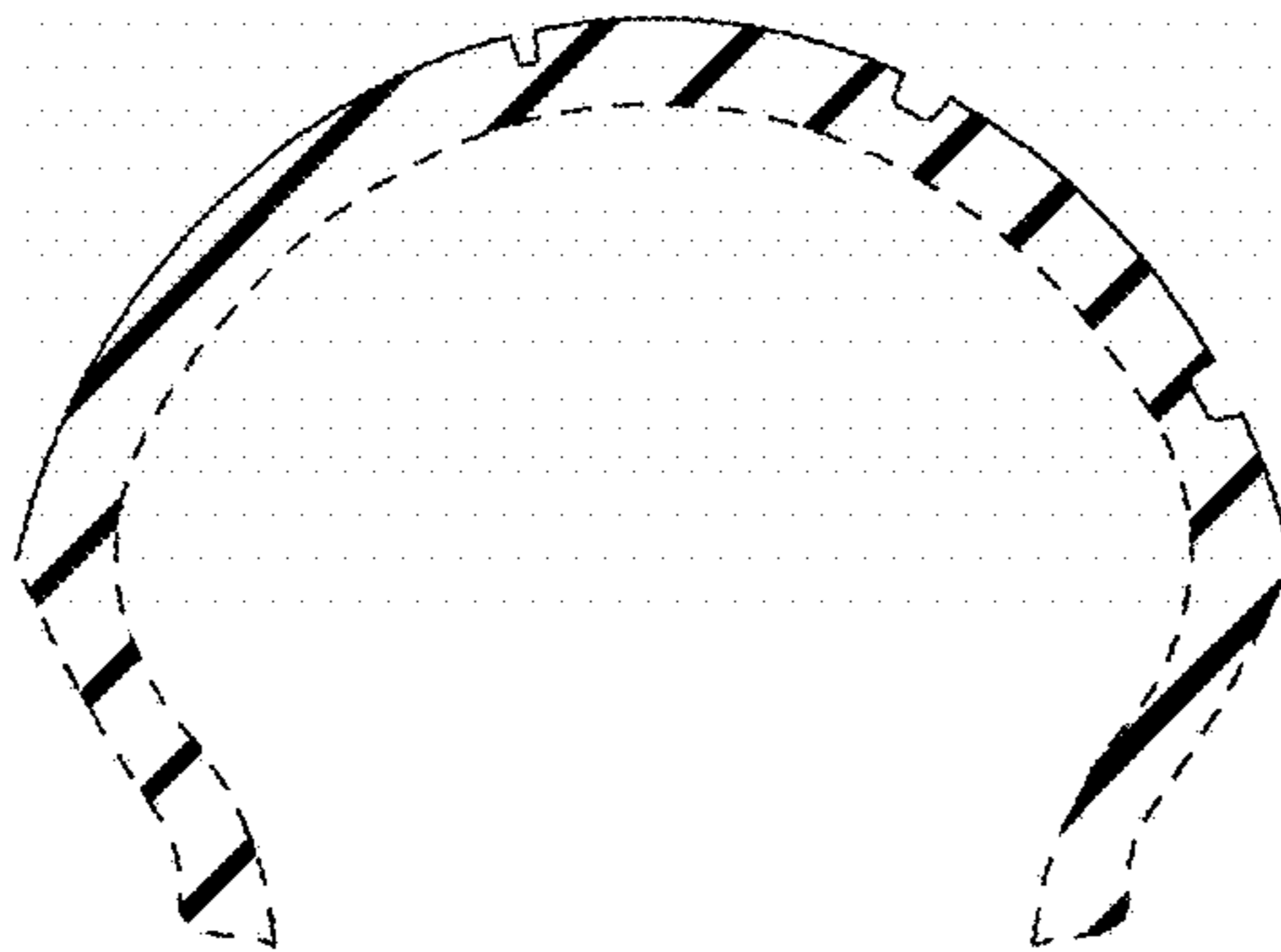




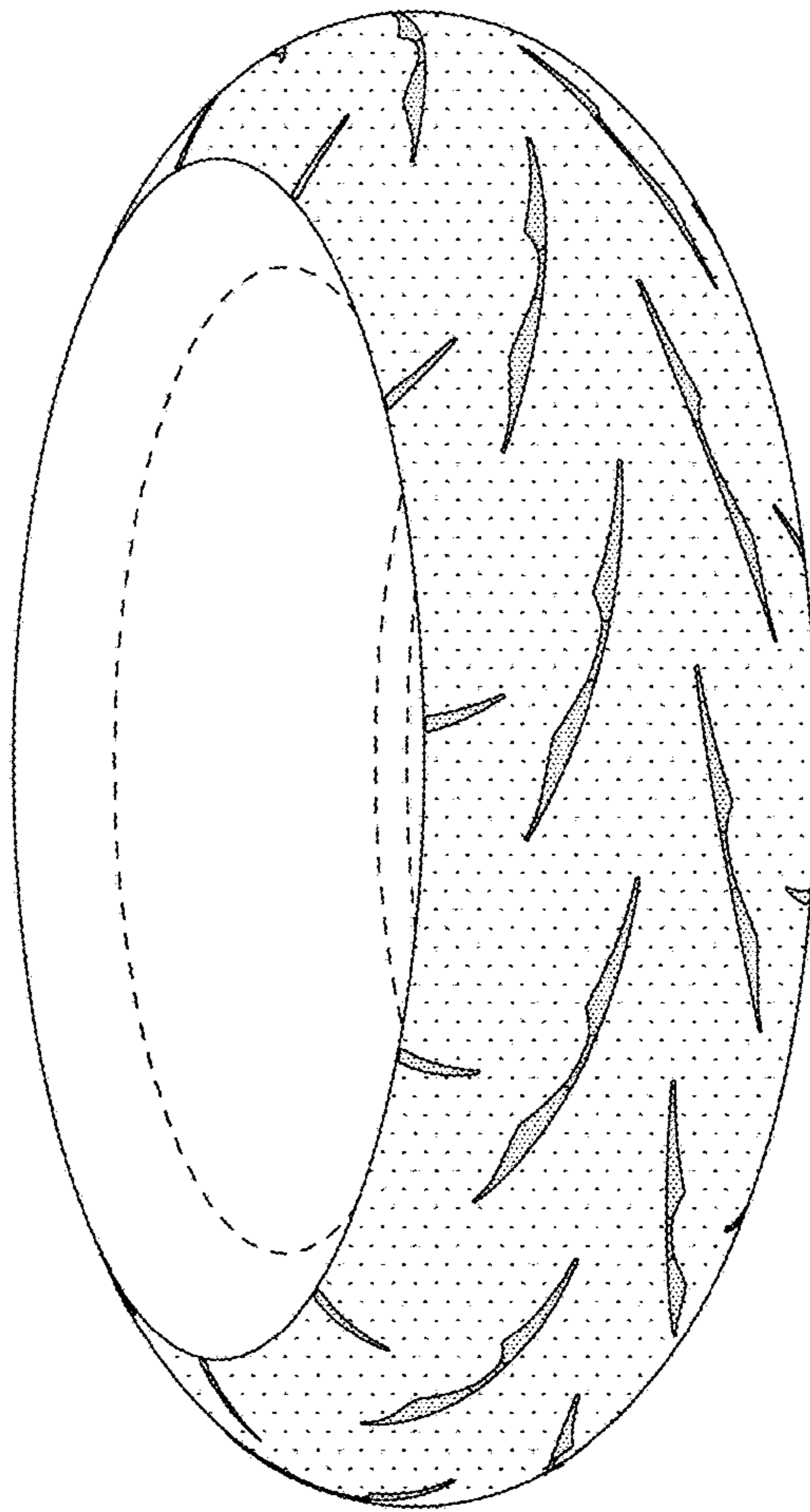
*FIG. 15*



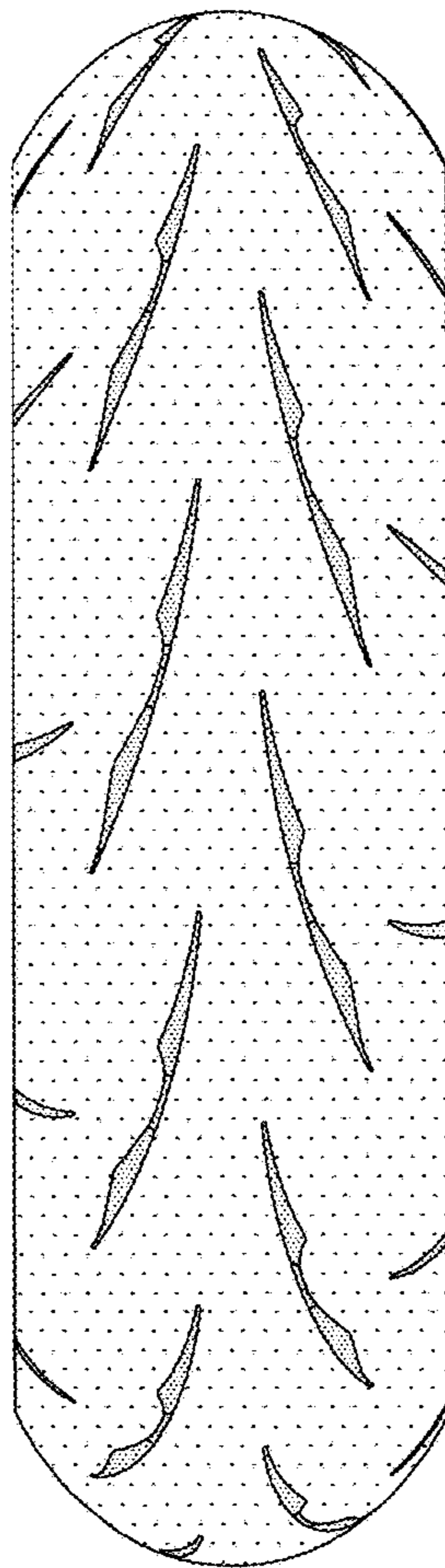
*FIG. 16*



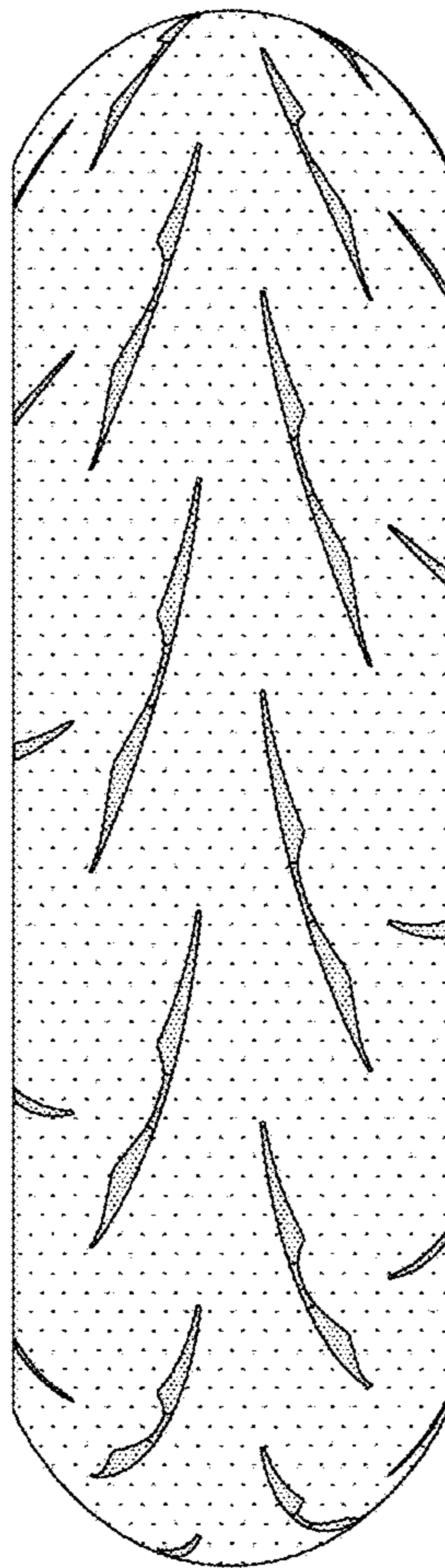
*FIG. 17*



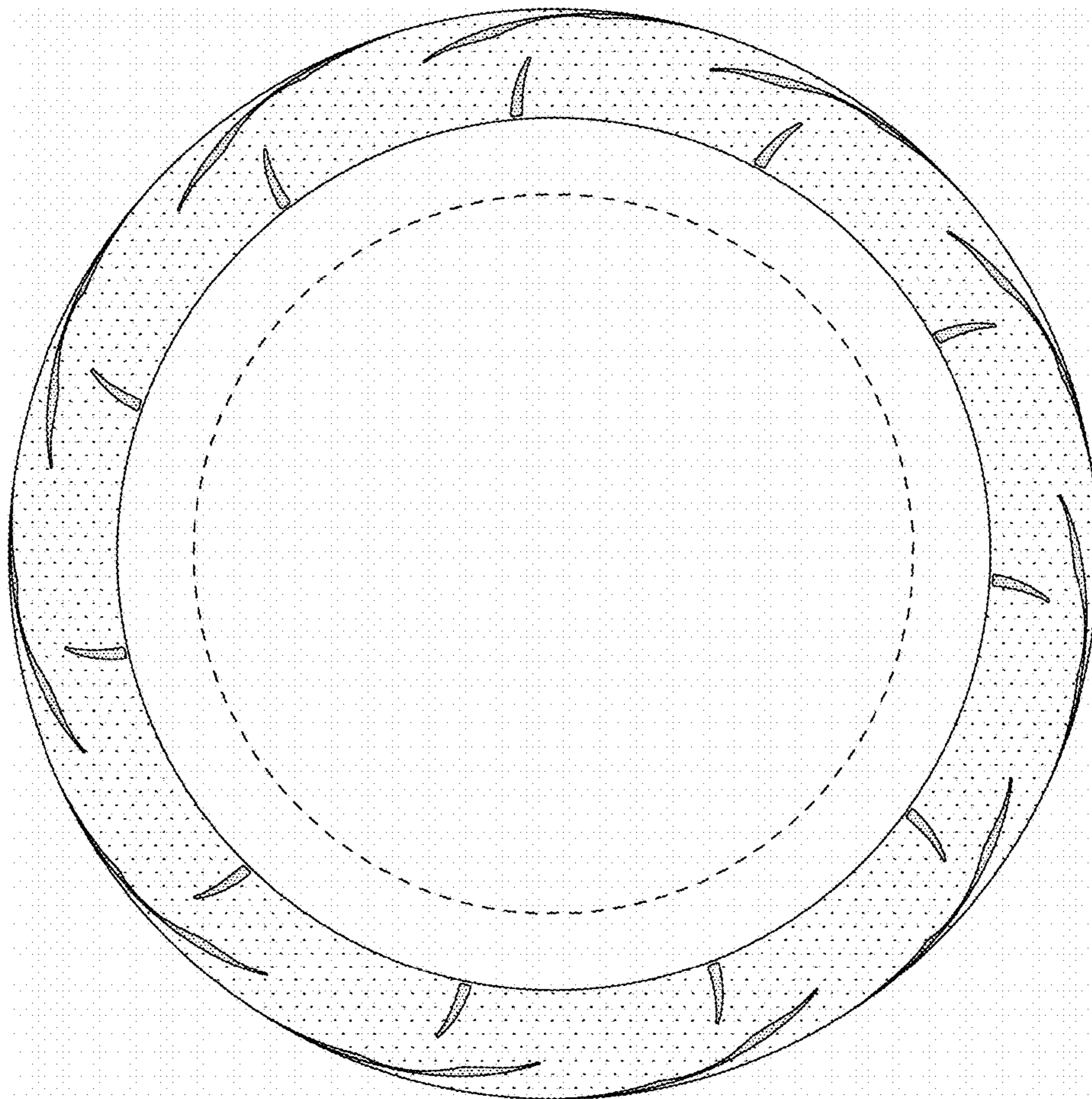
*FIG. 18*



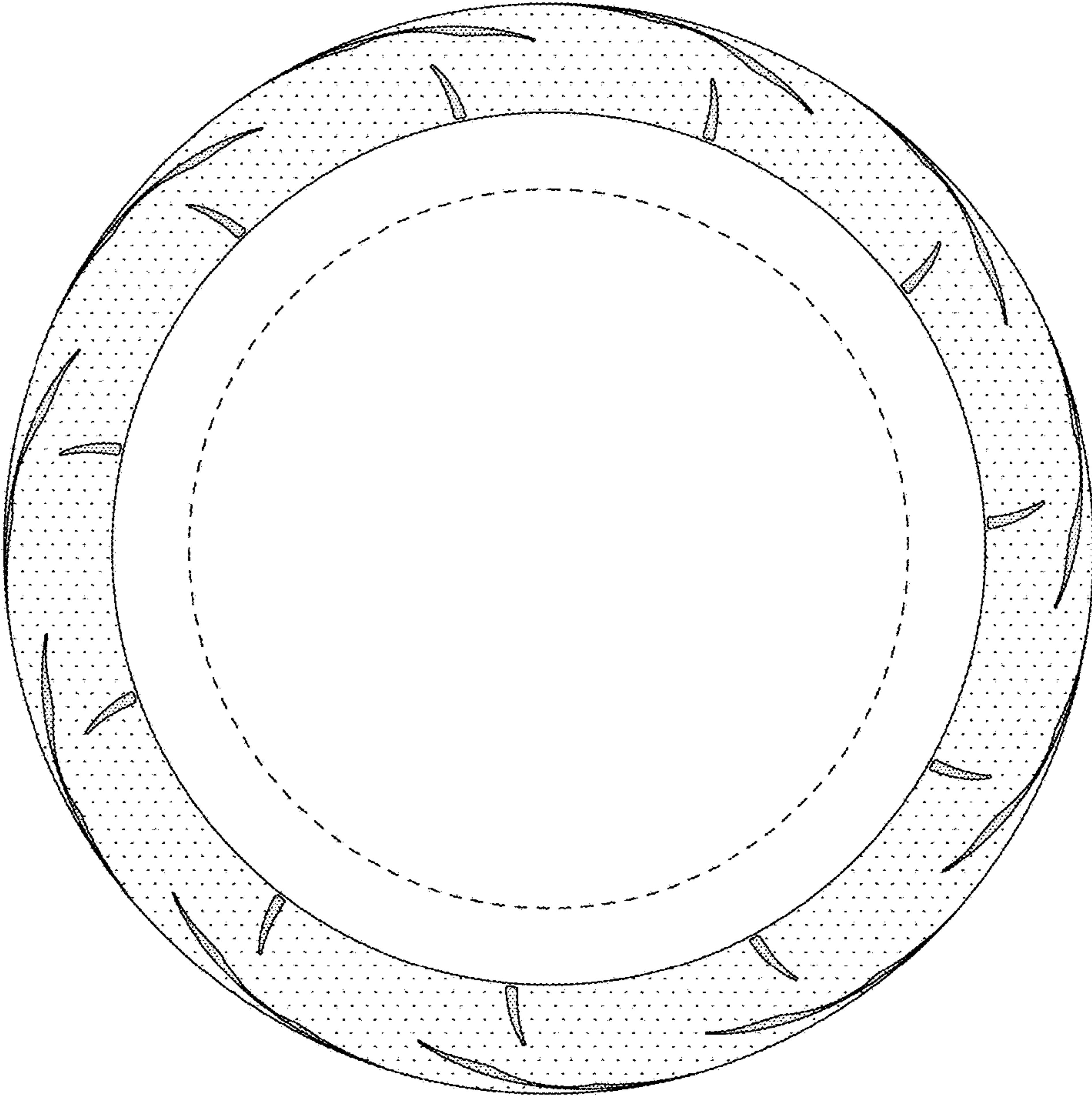
*FIG. 19*



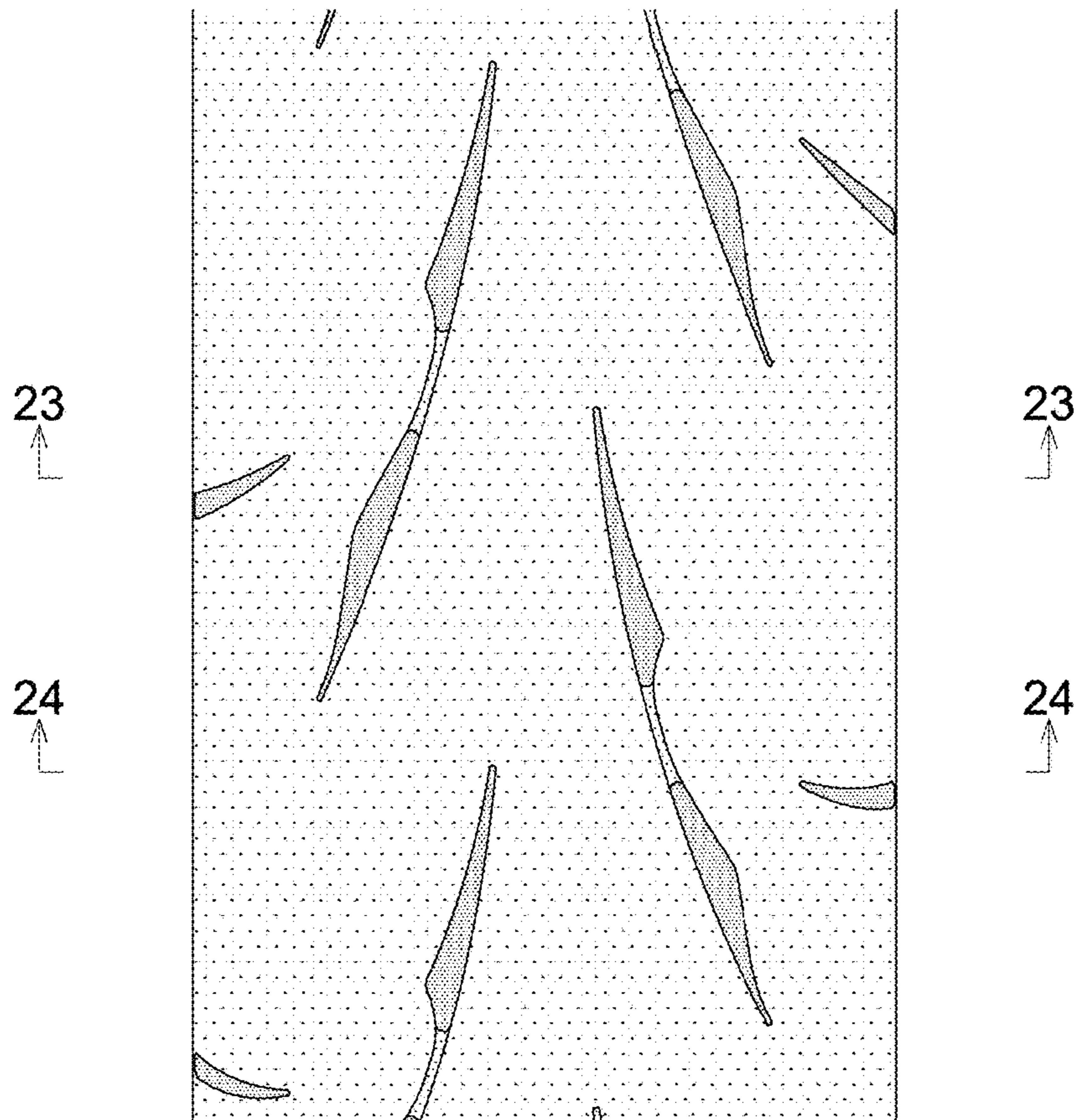
*FIG. 20*



*FIG. 21*

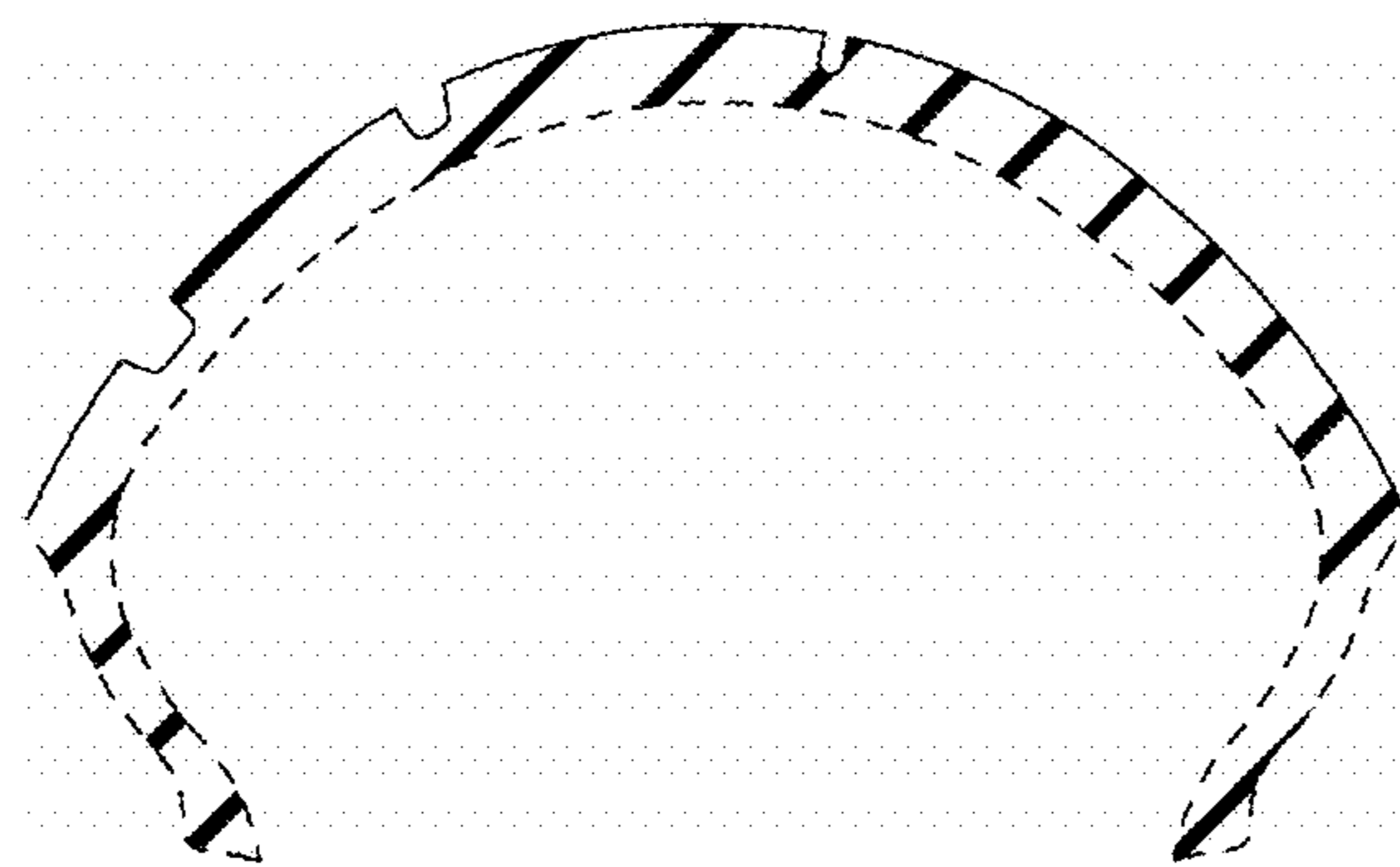


*FIG. 22*





*FIG. 23*



*FIG. 24*

