



US00D853315S

(12) **United States Design Patent**  
**Raatikainen et al.**

(10) **Patent No.:** **US D853,315 S**  
(45) **Date of Patent:** **\*\* Jul. 9, 2019**

(54) **TIRE TREAD**  
(71) Applicant: **Black Donuts Engineering Oy**,  
Pirkkala (FI)  
(72) Inventors: **Jouni Juhani Raatikainen**, Lempäälä  
(FI); **Henri Sakari Kossi**, Nokia (FI);  
**Mikko Valteri Sironen**, Tampere (FI)  
(73) Assignee: **BLACK DONUTS ENGINEERING**  
**OY**, Pirkkala (FI)  
(\*\*) Term: **15 Years**  
(21) Appl. No.: **29/645,917**

D783,506 S 3/2017 Kossi et al.  
D783,507 S 4/2017 Raatikainen et al.  
D784,911 S \* 4/2017 Hayashi ..... D12/521  
D785,544 S \* 5/2017 Hayashi ..... D12/521  
D785,547 S \* 5/2017 Taniguchi ..... D12/523  
D786,773 S 5/2017 Raatikainen et al.  
D787,425 S 5/2017 Kossi et al.  
D789,279 S \* 6/2017 Hayashi ..... D12/523  
D790,439 S 6/2017 Raatikainen et al.  
D792,835 S 7/2017 Raatikainen et al.  
D792,840 S \* 7/2017 Hayashi ..... D12/604  
D794,539 S \* 8/2017 Bindner ..... D12/523  
D795,164 S \* 8/2017 Philipot ..... D12/521  
D797,653 S 9/2017 Raatikainen et al.  
D798,224 S \* 9/2017 Zhang ..... D12/209  
D800,048 S \* 10/2017 Yoon ..... D12/521

(Continued)

(22) Filed: **Apr. 30, 2018**  
(30) **Foreign Application Priority Data**  
Nov. 8, 2017 (EM) ..... 004499028-0001  
(51) **LOC (11) Cl.** ..... **12-15**  
(52) **U.S. Cl.**  
USPC ..... **D12/523**  
(58) **Field of Classification Search**  
USPC ..... D12/500-532, 604  
CPC ..... Y10T 152/10027; B60C 1/0016; B60C  
11/0306; B60C 11/0302; B60C 3/06;  
B60C 9/17  
See application file for complete search history.

(56) **References Cited**  
U.S. PATENT DOCUMENTS  
D644,593 S \* 9/2011 Fontaine ..... D12/523  
D702,627 S 4/2014 Raatikainen et al.  
D708,116 S \* 7/2014 Caron ..... D12/523  
D721,322 S 1/2015 Raatikainen et al.  
D733,038 S 6/2015 Raatikainen et al.  
D761,716 S \* 7/2016 Albouy ..... D12/518  
D769,800 S 8/2016 Raatikainen et al.  
D780,668 S 3/2017 Raatikainen et al.

**OTHER PUBLICATIONS**

Design U.S. Appl. No. 29/592,478, filed Jan. 31, 2017, entitled Tire Tread, Inventors: Kossi et al.

*Primary Examiner* — Lakiya G Rogers  
*Assistant Examiner* — John A Voytek  
(74) *Attorney, Agent, or Firm* — Thompson Hine LLP

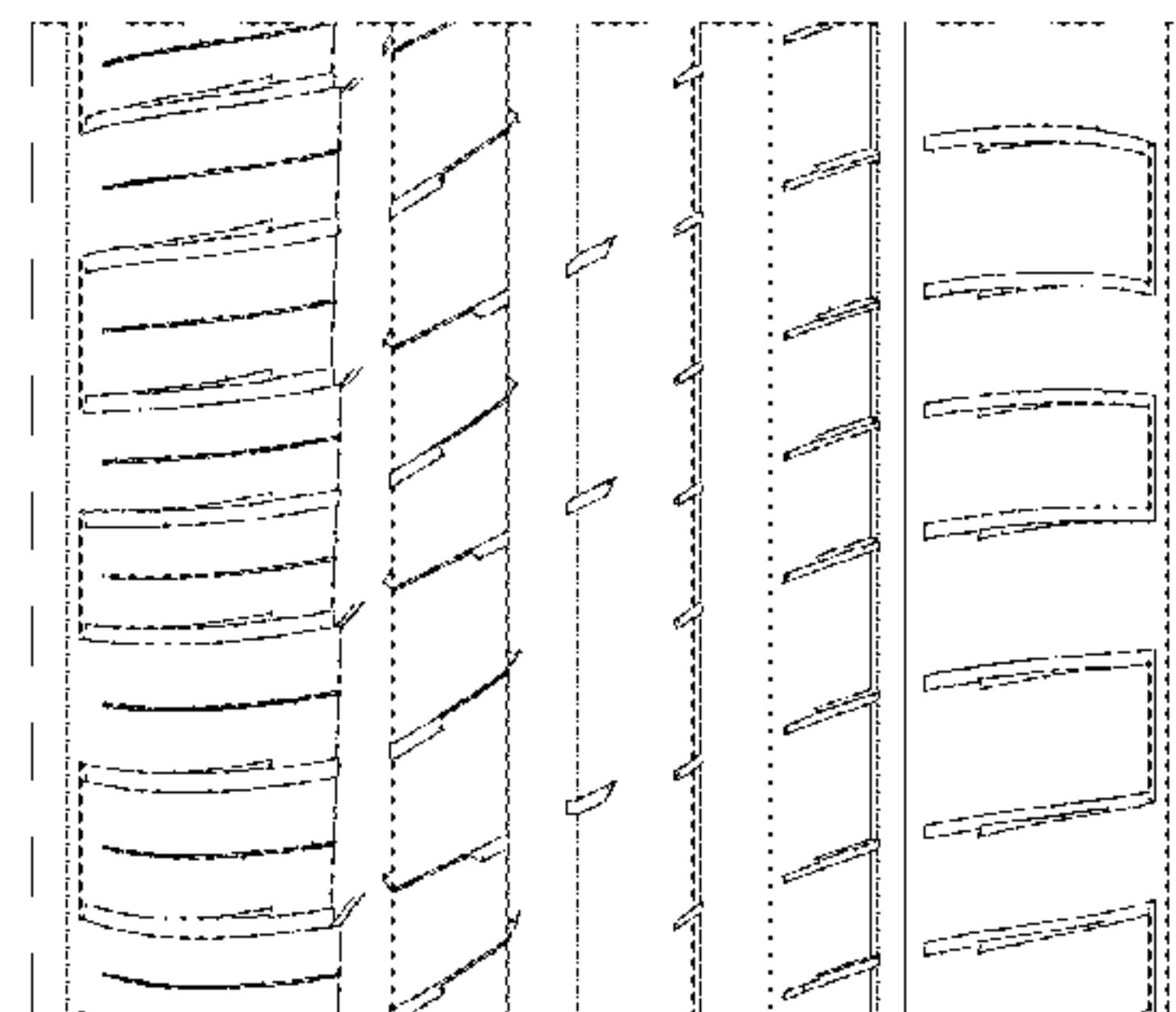
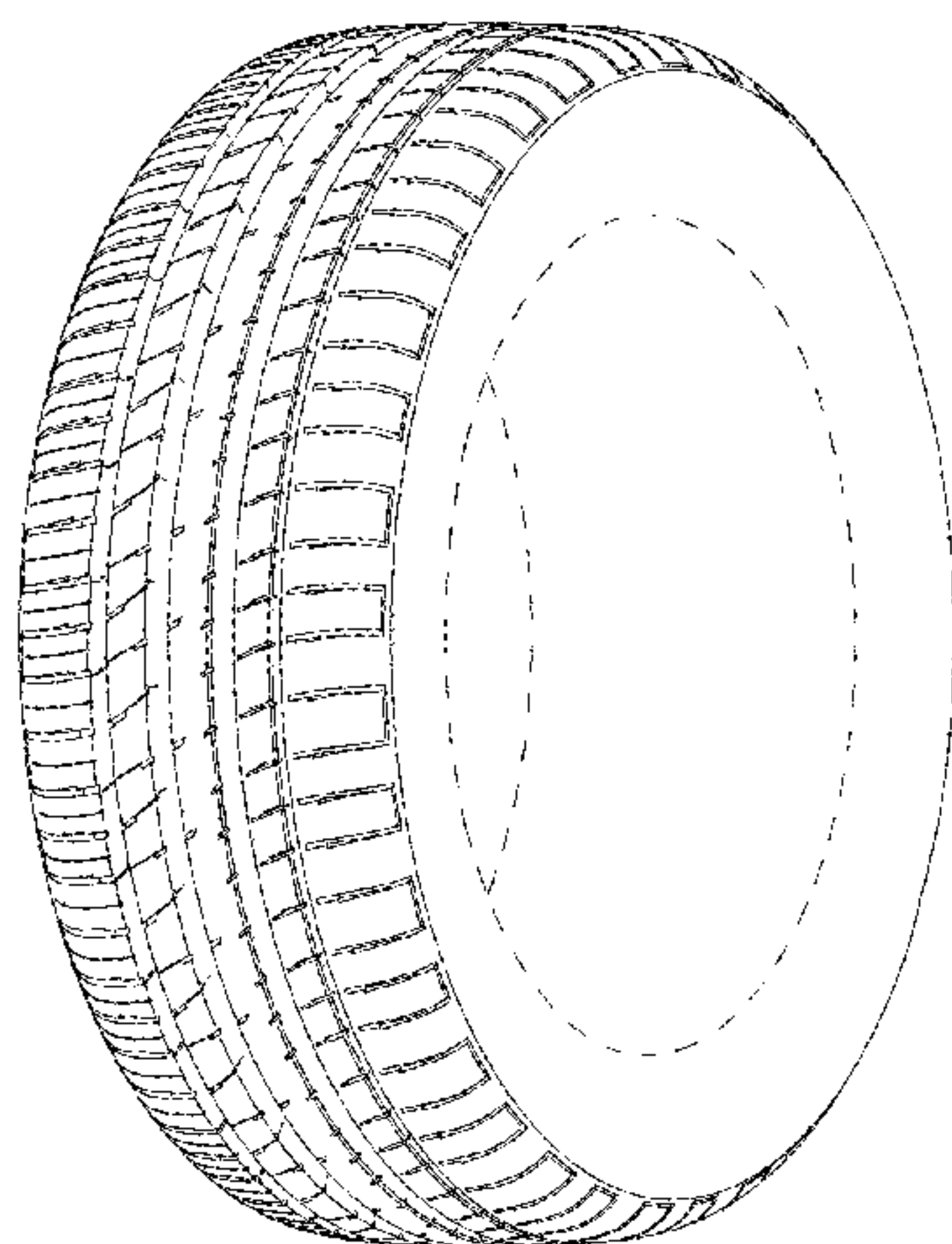
(57) **CLAIM**

The ornamental design for tire tread, as shown and described.

**DESCRIPTION**

FIG. 1 is a perspective view of the design;  
FIG. 2 is a front view of the design of FIG. 1;  
FIG. 3 is a side view of a first side of the design of FIG. 1;  
FIG. 4 is a side view of a second side of the design of FIG. 1; and,  
FIG. 5 is a detail view of a portion of FIG. 1.  
In the drawings, the broken lines depict environmental subject matter only and form no part of the claimed design.

**1 Claim, 5 Drawing Sheets**



(56)

**References Cited**

U.S. PATENT DOCUMENTS

D802,520 S	*	11/2017	Abinal .....	D12/521
D808,894 S		1/2018	Kossi et al.	
D811,990 S		3/2018	Raatikainen et al.	
D812,548 S		3/2018	Raatikainen et al.	
D816,591 S		5/2018	Kossi et al.	
D817,262 S		5/2018	Raatikainen et al.	
D819,546 S	*	6/2018	Suzuki .....	D12/516
D821,961 S	*	7/2018	Wakasugi .....	D12/523
D823,233 S	*	7/2018	Fontaine .....	D12/519

\* cited by examiner

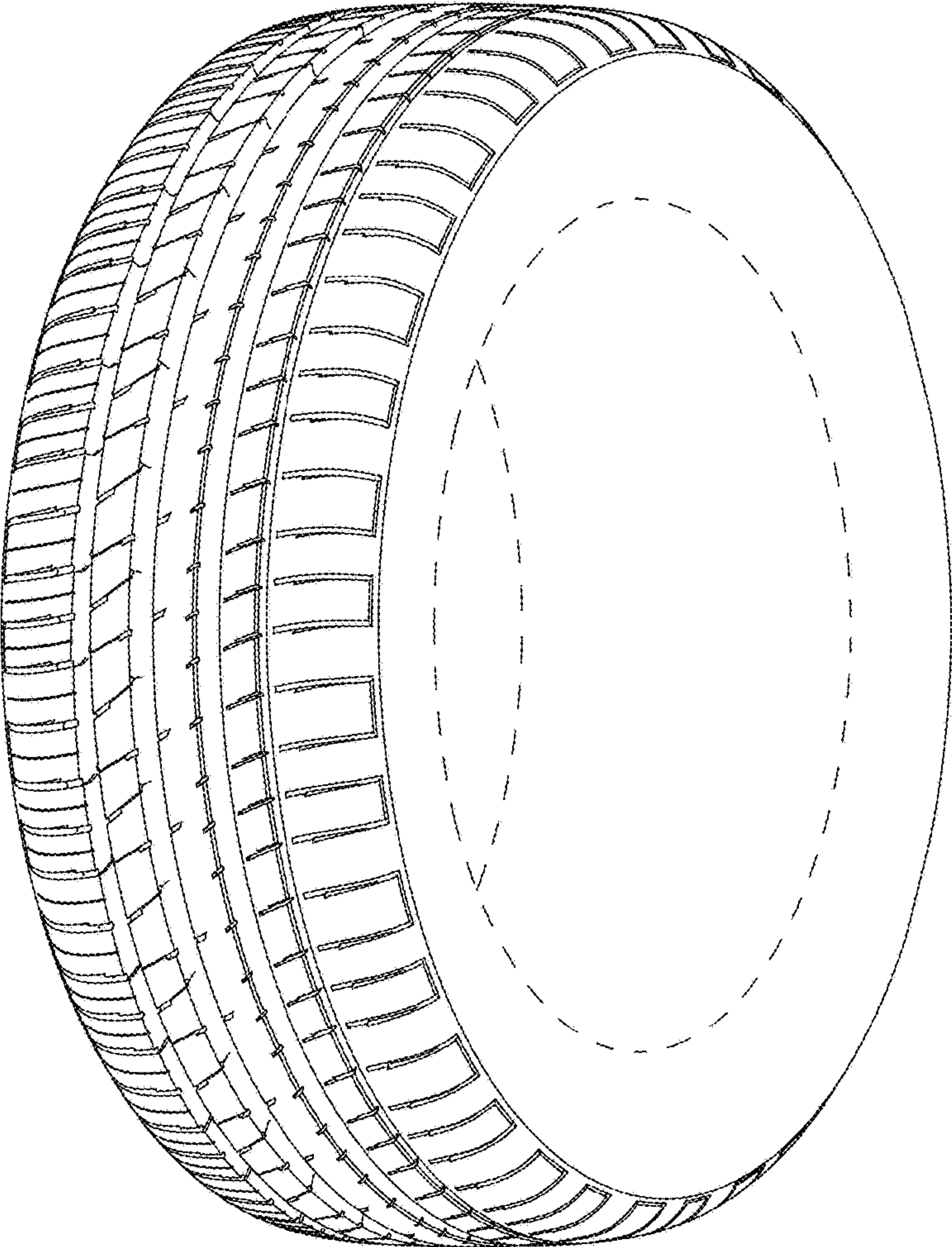


Fig. 1



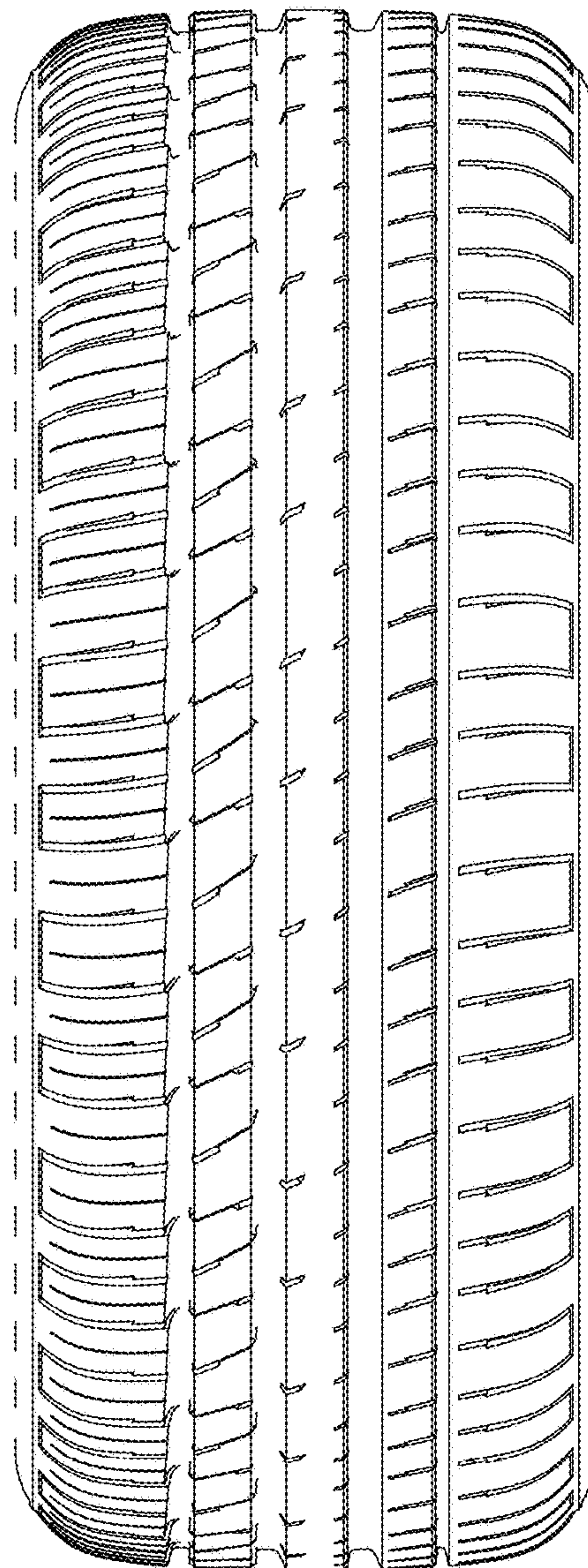


Fig. 2

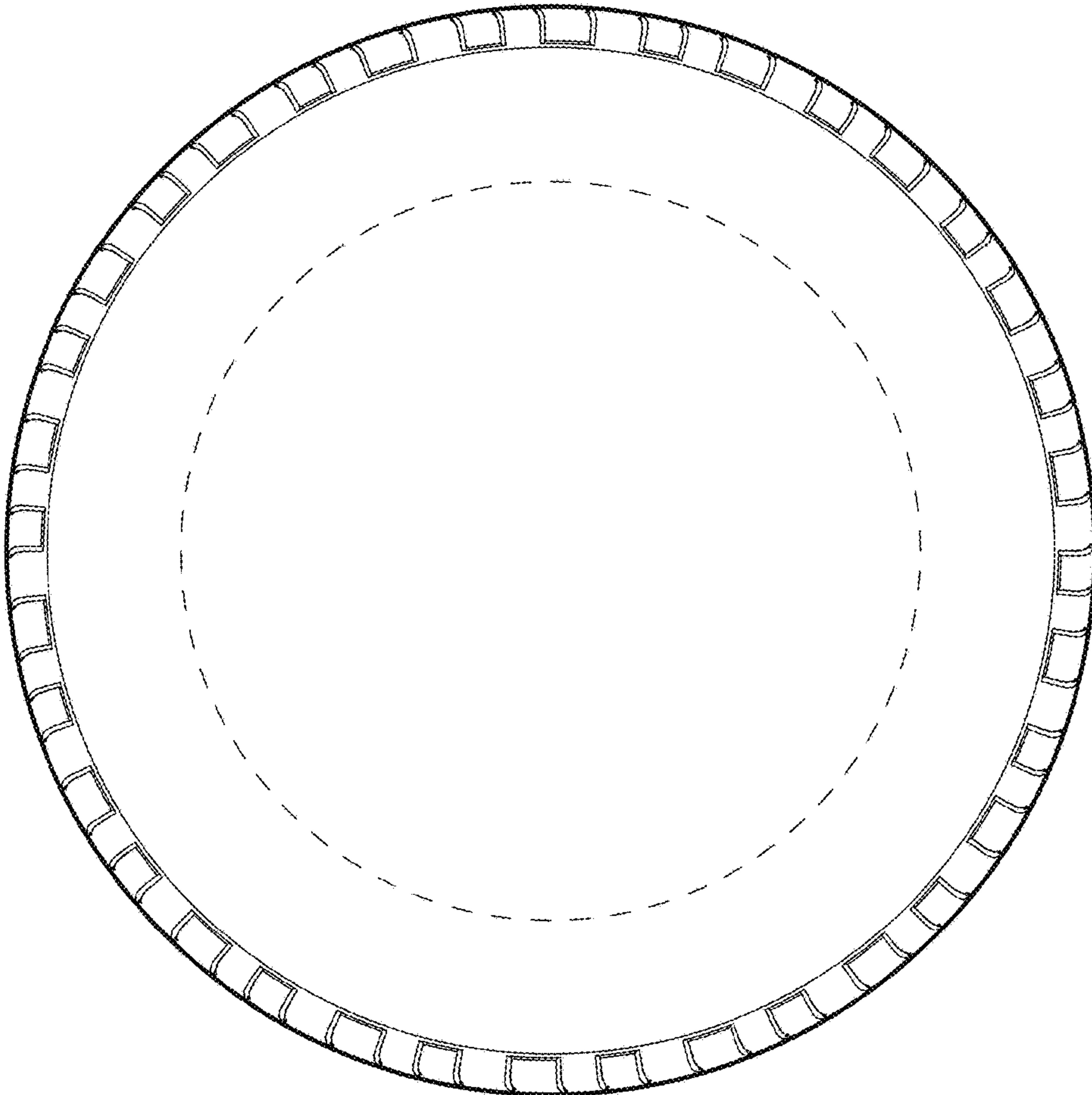


Fig. 3

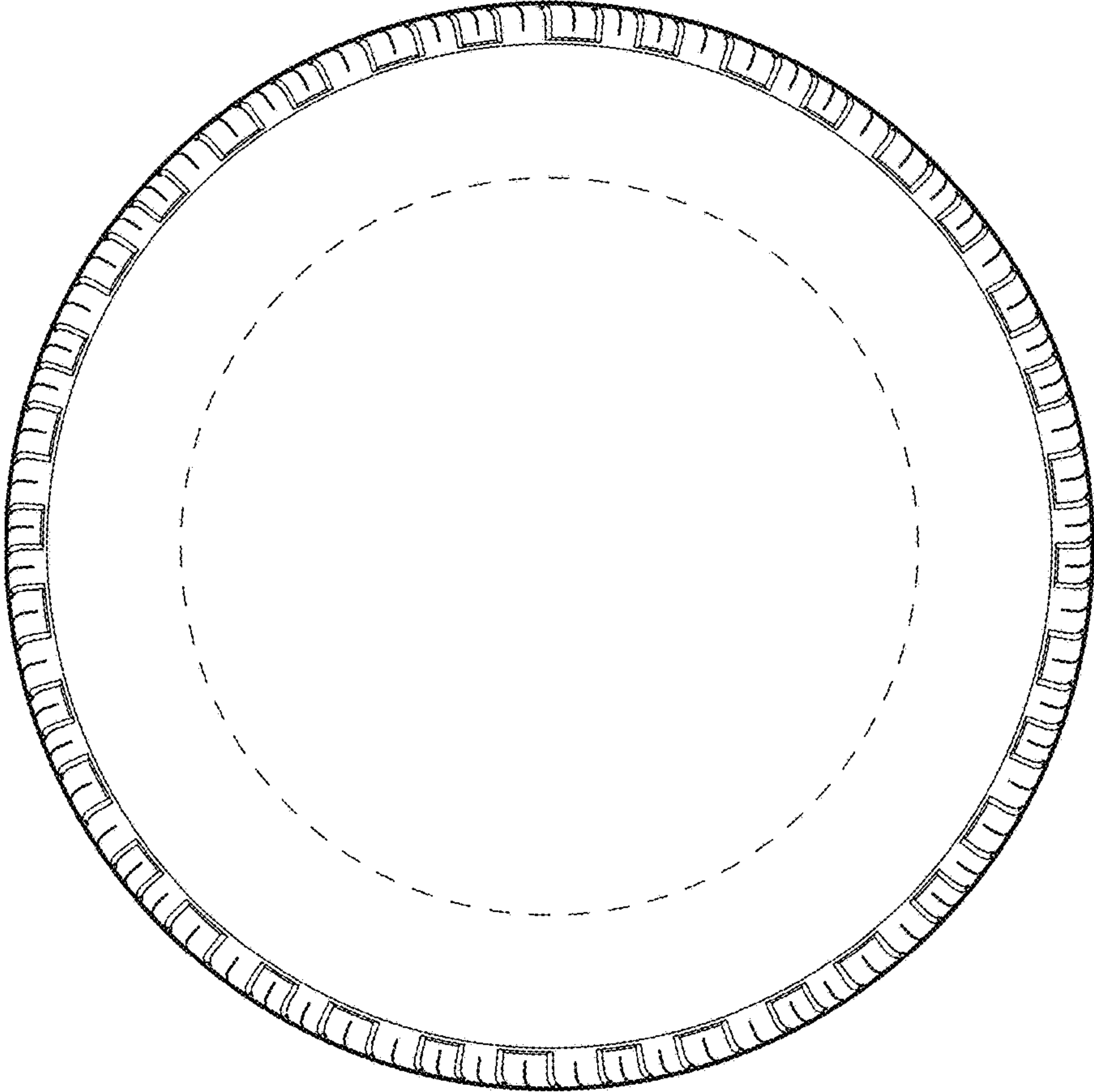


Fig. 4

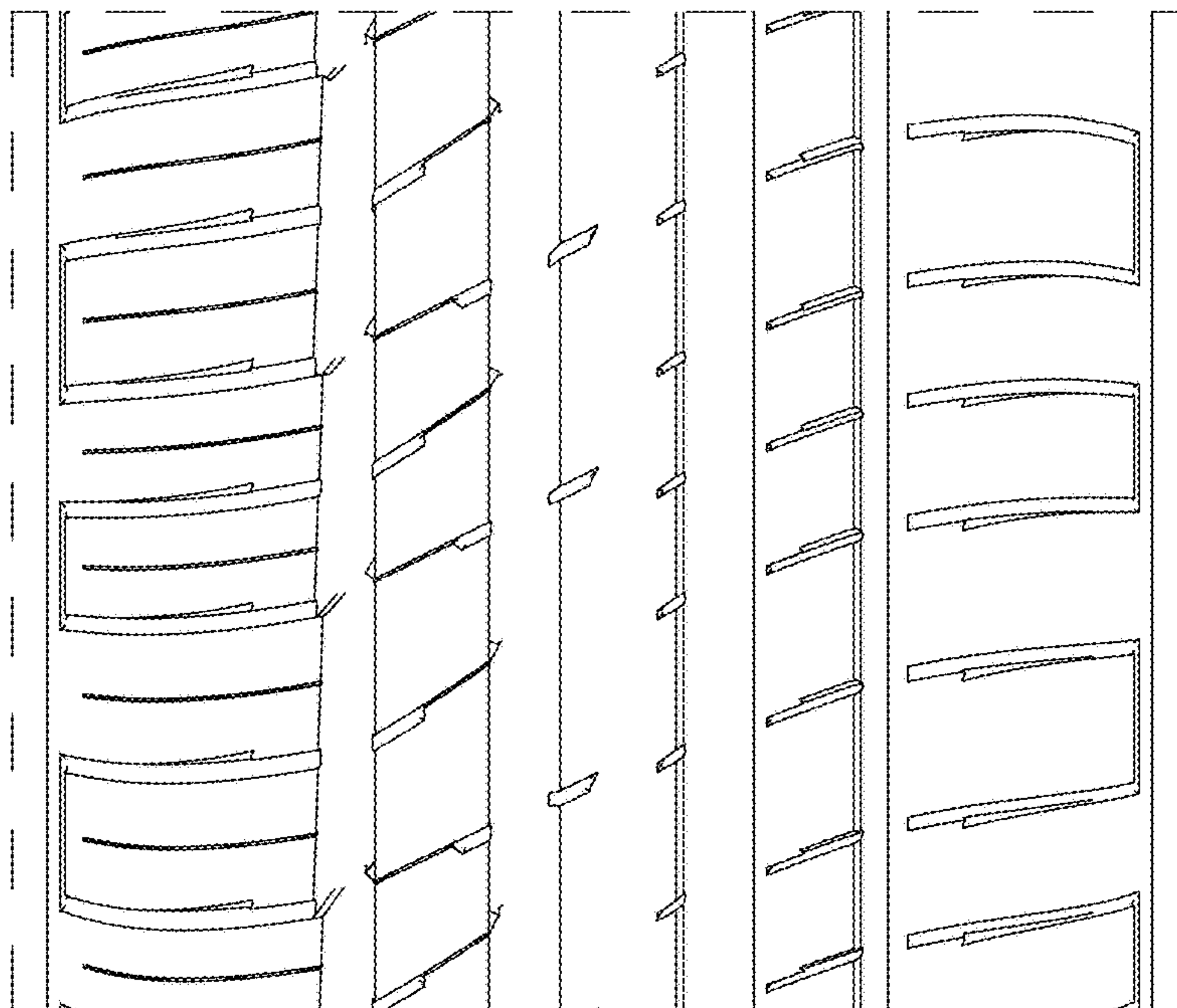


Fig. 5