



US00D853314S

(12) **United States Design Patent**
Raatikainen et al.

(10) **Patent No.:** **US D853,314 S**
(45) **Date of Patent:** **** Jul. 9, 2019**

(54) **TIRE TREAD**

(71) Applicant: **Black Donuts Engineering Oy**,
Pirkkala (FI)

(72) Inventors: **Jouni Juhani Raatikainen**, Lempäälä
(FI); **Henri Sakari Kossi**, Nokia (FI);
Mikko Tapani Väänänen, Nokia (FI)

(73) Assignee: **BLACK DONUTS ENGINEERING OY**, Pirkkala (FI)

(**) Term: **15 Years**

(21) Appl. No.: **29/645,915**

(22) Filed: **Apr. 30, 2018**

(30) **Foreign Application Priority Data**

Nov. 8, 2017 (EM) 004498483-0001

(51) **LOC (11) Cl.** **12-15**

(52) **U.S. Cl.**
USPC **D12/523**

(58) **Field of Classification Search**
USPC D12/500–532, 604
CPC Y10T 152/10027; B60C 1/0016; B60C
11/0306; B60C 11/0302; B60C 3/06;
B60C 9/17

See application file for complete search history.

(56) **References Cited**

U.S. PATENT DOCUMENTS

D644,593 S * 9/2011 Fontaine D12/523
D702,627 S 4/2014 Raatikainen et al.
D708,116 S * 7/2014 Caron D12/523
D721,322 S 1/2015 Raatikainen et al.
D733,038 S 6/2015 Raatikainen et al.
D761,716 S * 7/2016 Albouy D12/518
D769,800 S 8/2016 Raatikainen et al.
D780,668 S 3/2017 Raatikainen et al.

D783,506 S 3/2017 Kossi et al.
D783,507 S 4/2017 Raatikainen et al.
D784,911 S * 4/2017 Hayashi D12/521
D785,544 S * 5/2017 Hayashi D12/521
D785,547 S * 5/2017 Taniguchi D12/523
D786,773 S 5/2017 Raatikainen et al.
D787,425 S 5/2017 Kossi et al.
D789,279 S * 6/2017 Hayashi D12/523
D790,439 S 6/2017 Raatikainen et al.
D792,835 S 7/2017 Raatikainen et al.
D792,840 S * 7/2017 Hayashi D12/604
D794,539 S * 8/2017 Bindner D12/523
D795,164 S * 8/2017 Philipot D12/521
D797,653 S 9/2017 Raatikainen et al.
D798,224 S * 9/2017 Zhang D12/209
D800,048 S * 10/2017 Yoon D12/521

(Continued)

OTHER PUBLICATIONS

Design U.S. Appl. No. 29/592,478, filed Jan. 31, 2017, entitled Tire Tread, Inventors: Kossi et al.

Primary Examiner — Lakiya G Rogers

Assistant Examiner — John A Voytek

(74) *Attorney, Agent, or Firm* — Thompson Hine LLP

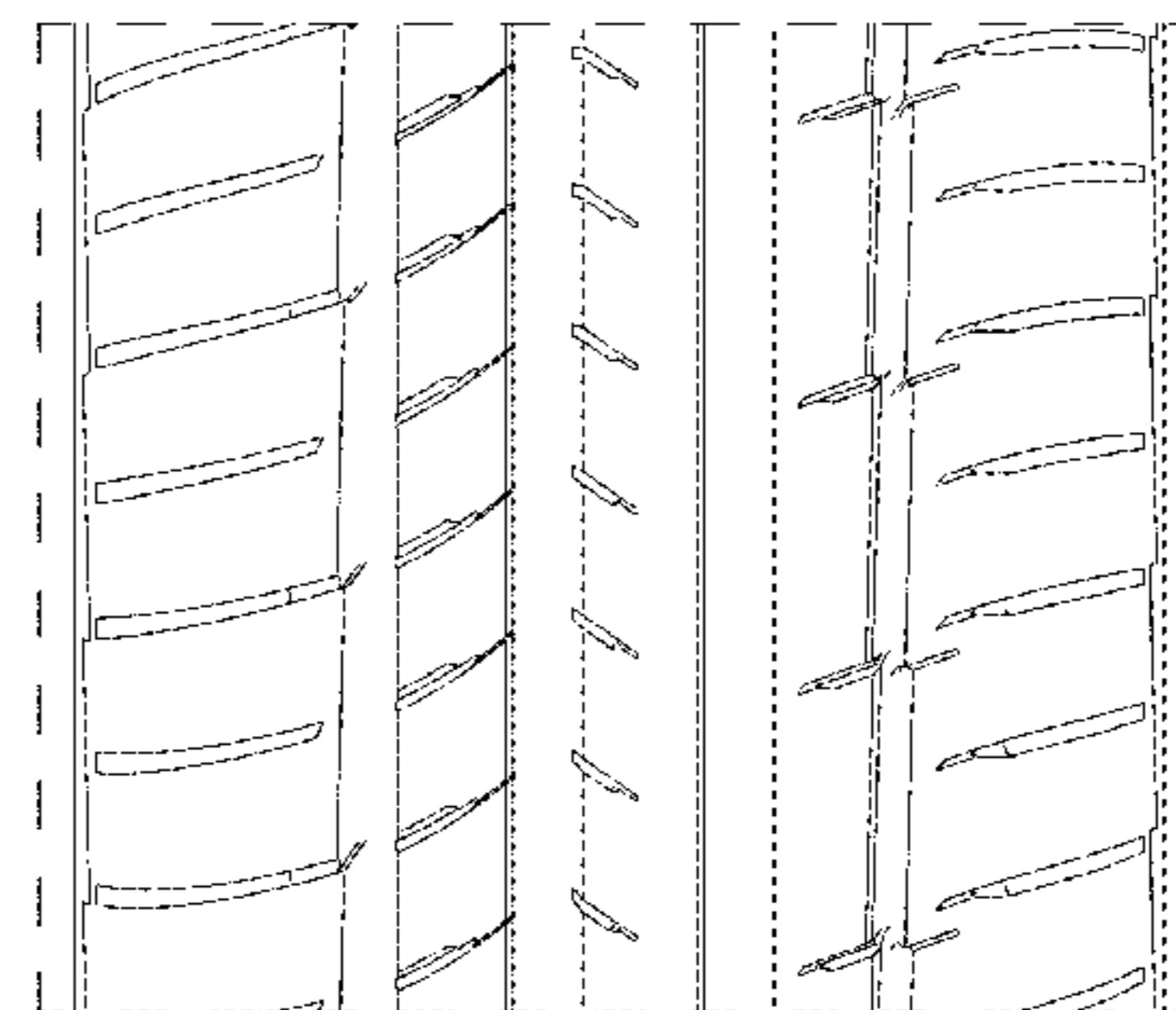
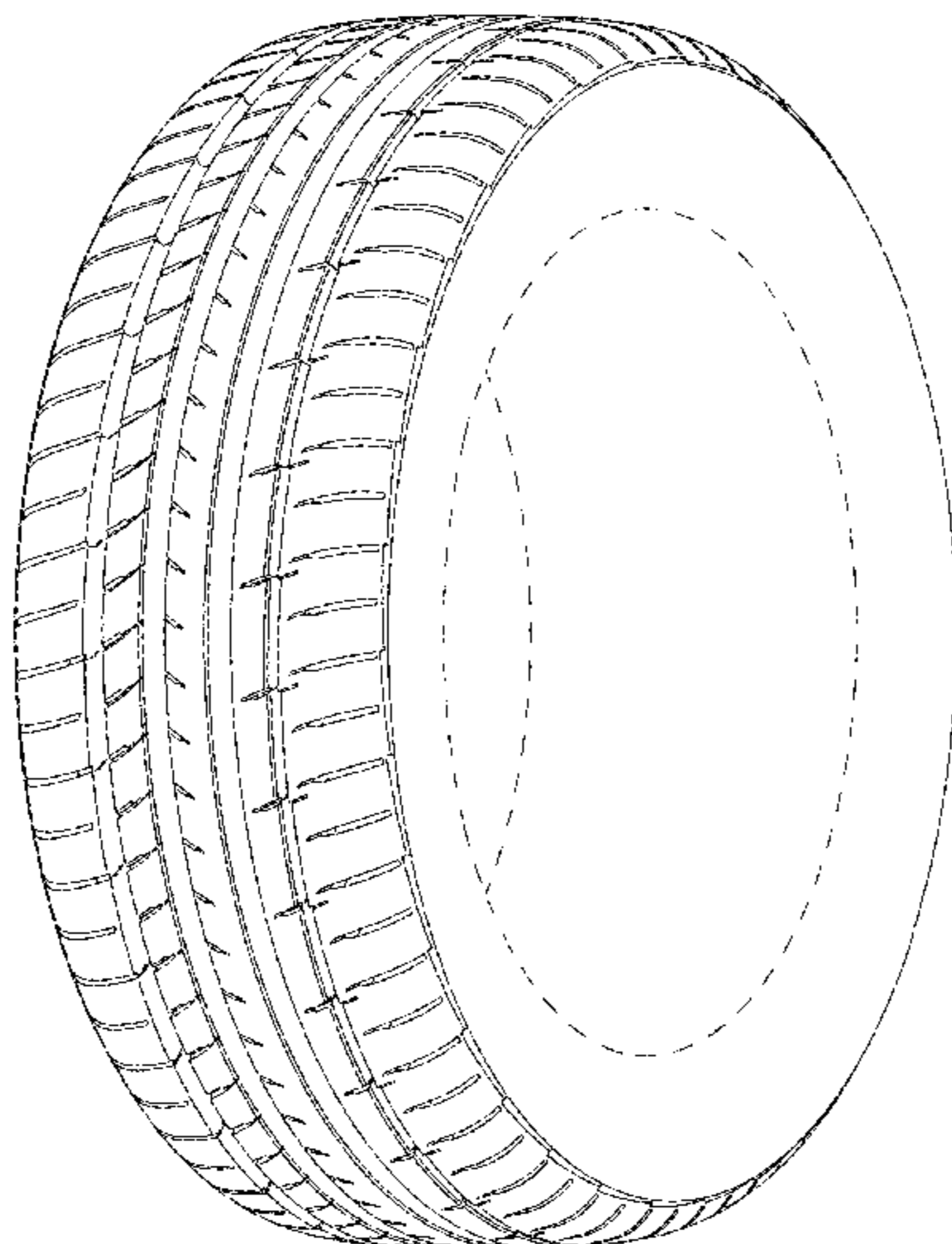
(57) **CLAIM**

The ornamental design for tire tread, as shown and described.

DESCRIPTION

FIG. 1 is a perspective view of the design;
FIG. 2 is a front view of the design of FIG. 1;
FIG. 3 is a side view of a first side of the design of FIG. 1;
FIG. 4 is a side view of a second side of the design of FIG. 1; and,
FIG. 5 is a detail view of a portion of FIG. 1.
In the drawings, the broken lines depict environmental subject matter only and form no part of the claimed design.

1 Claim, 5 Drawing Sheets



(56)

References Cited

U.S. PATENT DOCUMENTS

D802,520 S	*	11/2017	Abinal	D12/521
D808,894 S		1/2018	Kossi et al.	
D811,990 S		3/2018	Raatikainen et al.	
D812,548 S		3/2018	Raatikainen et al.	
D816,591 S		5/2018	Kossi et al.	
D817,262 S		5/2018	Raatikainen et al.	
D819,546 S	*	6/2018	Suzuki	D12/516
D821,961 S	*	7/2018	Wakasugi	D12/523
D823,233 S	*	7/2018	Fontaine	D12/519

* cited by examiner

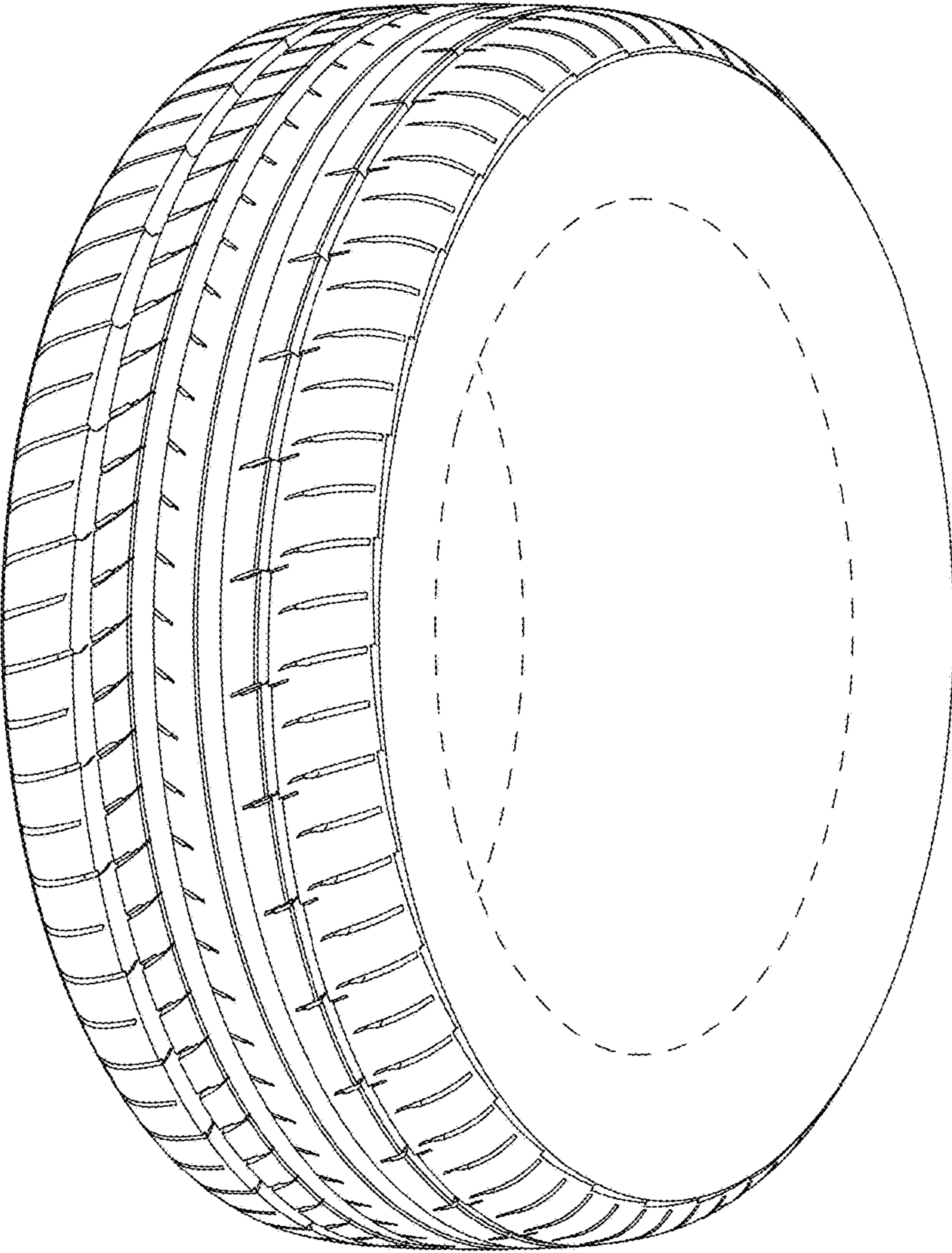


Fig. 1

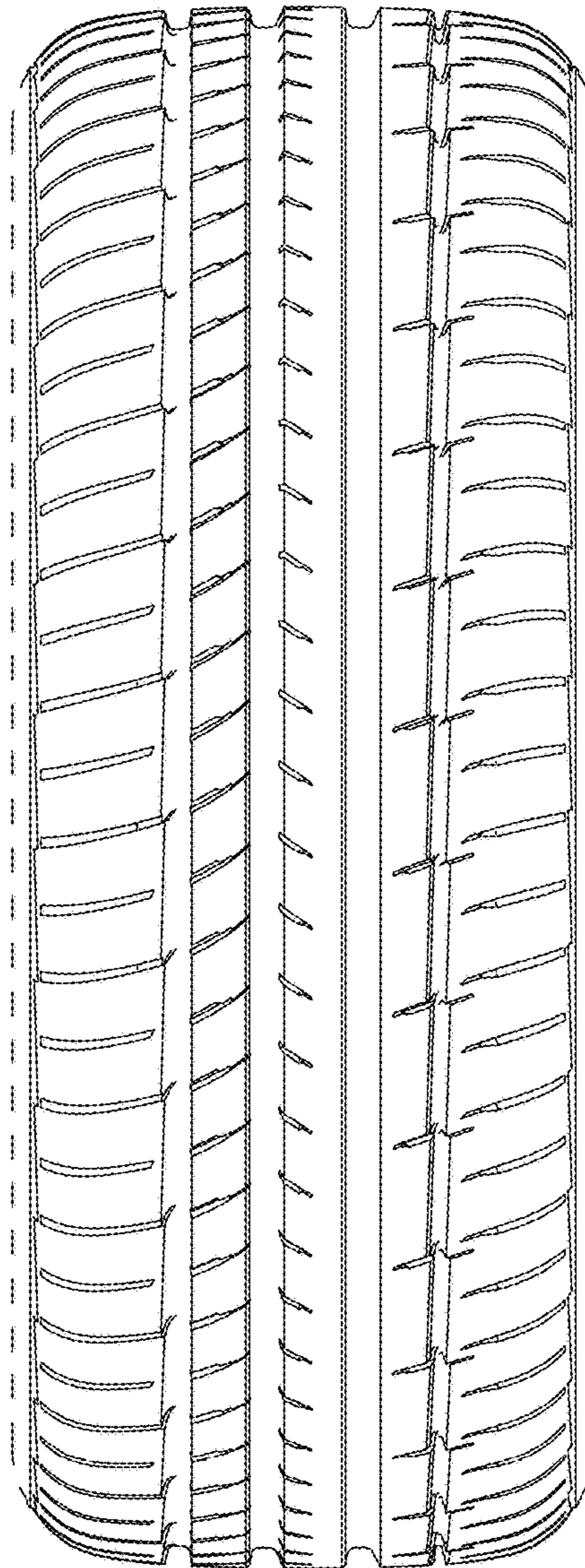


Fig. 2

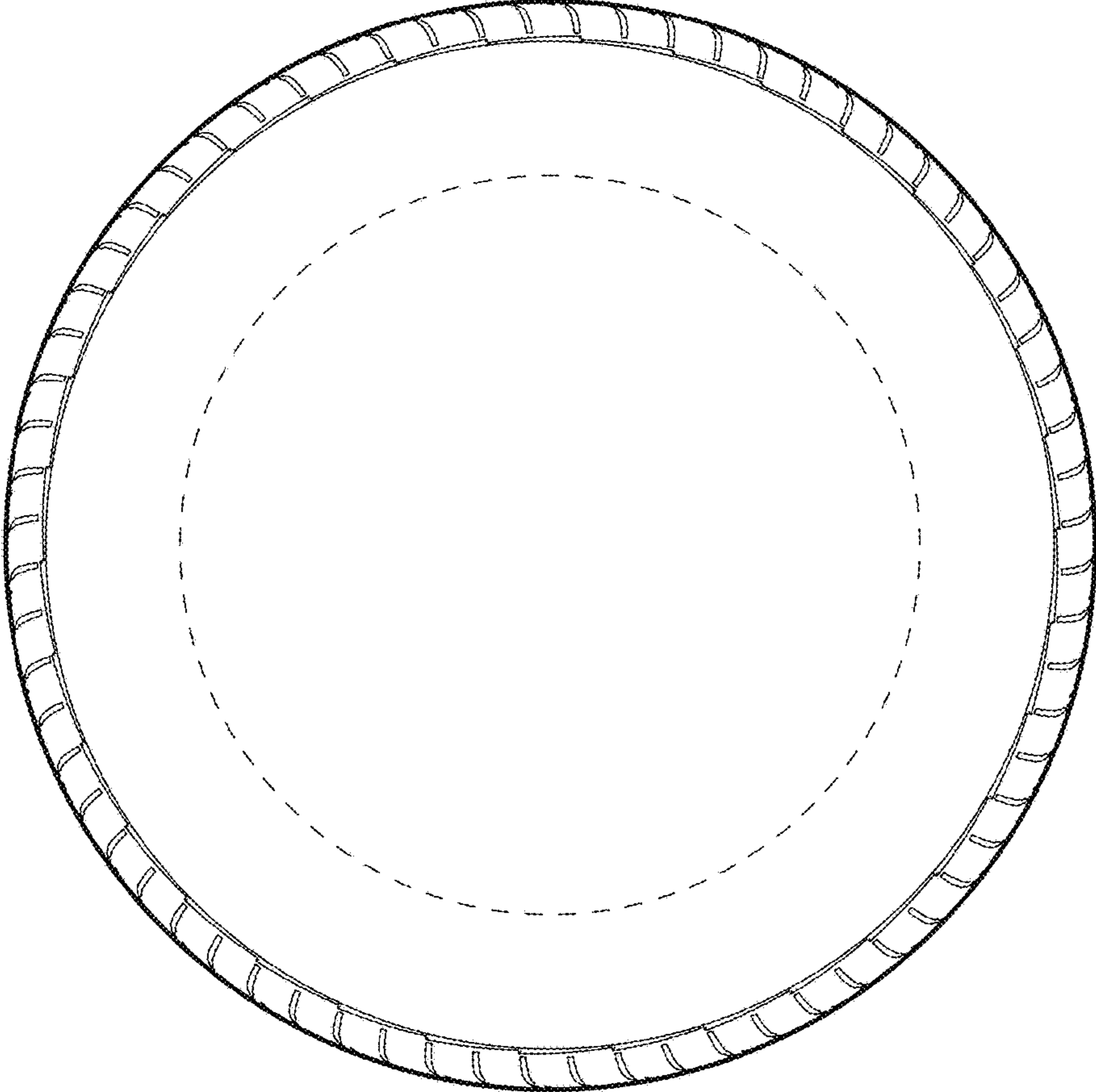


Fig. 3

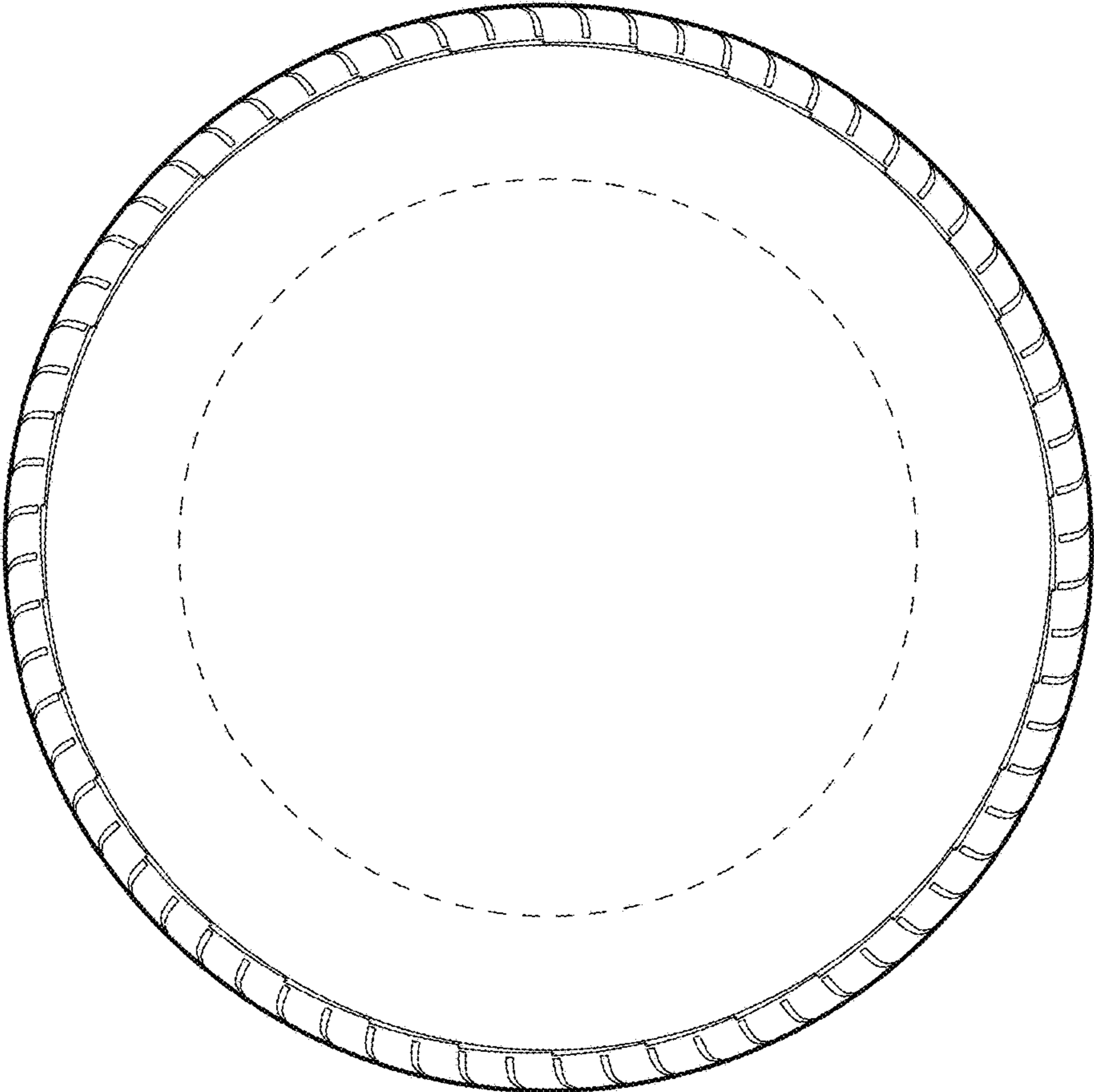


Fig. 4

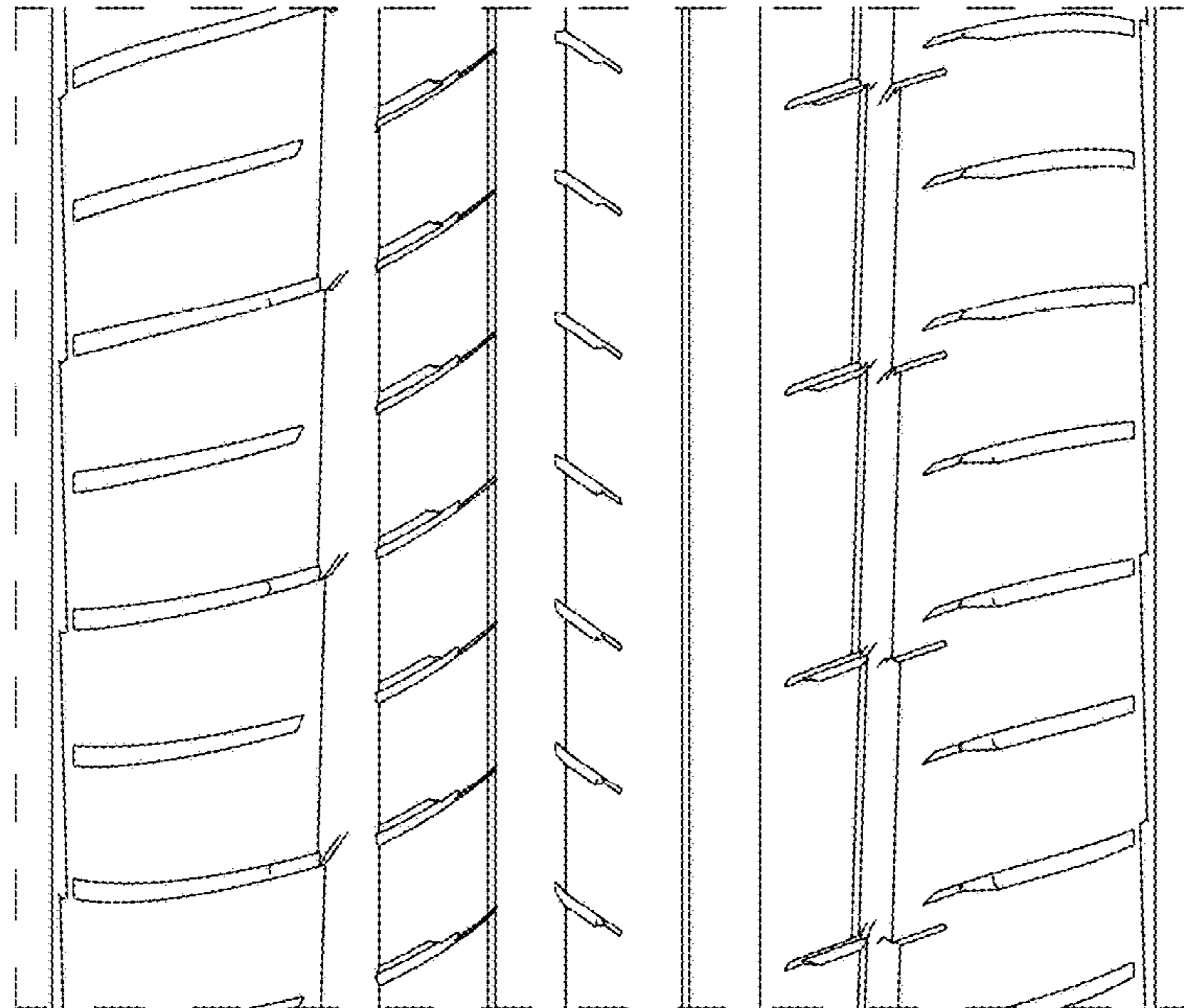


Fig. 5