



US00D853310S

(12) **United States Design Patent**
Leason et al.

(10) **Patent No.:** **US D853,310 S**
(45) **Date of Patent:** **** Jul. 9, 2019**

(54) **HYDROFOIL BOARD**

(71) Applicant: **MHL Custom, Inc.**, Isabela, PR (US)

(72) Inventors: **Nicholas Leason**, Isabela, PR (US);
Michael Leason, Isabela, PR (US);
Douglas V. Poscich, N. Stonington, CT (US)

(**) Term: **15 Years**

(21) Appl. No.: **29/669,802**

(22) Filed: **Nov. 12, 2018**

Related U.S. Application Data

(62) Division of application No. 29/570,471, filed on Jul. 8, 2016.

(51) **LOC (11) Cl.** **12-06**

(52) **U.S. Cl.**
USPC **D12/309**

(58) **Field of Classification Search**
USPC D12/300, 309, 317, 318; D21/769, 771, D21/778
CPC B63B 35/7923; B63B 35/7926; B63B 35/793; B63B 35/79; B63B 35/7943; B63B 1/24
See application file for complete search history.

(56) **References Cited**

U.S. PATENT DOCUMENTS

8,398,446 B2 * 3/2013 Railey B63B 35/79 441/74
8,979,604 B1 * 3/2015 Woolley B63B 35/7906 114/253

9,085,343 B2 * 7/2015 Modica B63B 1/24
9,789,935 B1 * 10/2017 Aguera B63B 1/26
9,944,361 B2 * 4/2018 Cho B63B 35/7943
2011/0111650 A1 * 5/2011 Braden B63B 35/7943 440/6

* cited by examiner

Primary Examiner — Cynthia M. Chin

(74) *Attorney, Agent, or Firm* — Eugenio J. Torres-Oyola; Victor M. Rodriguez-Reyes; Rafael Rodriguez-Muriel

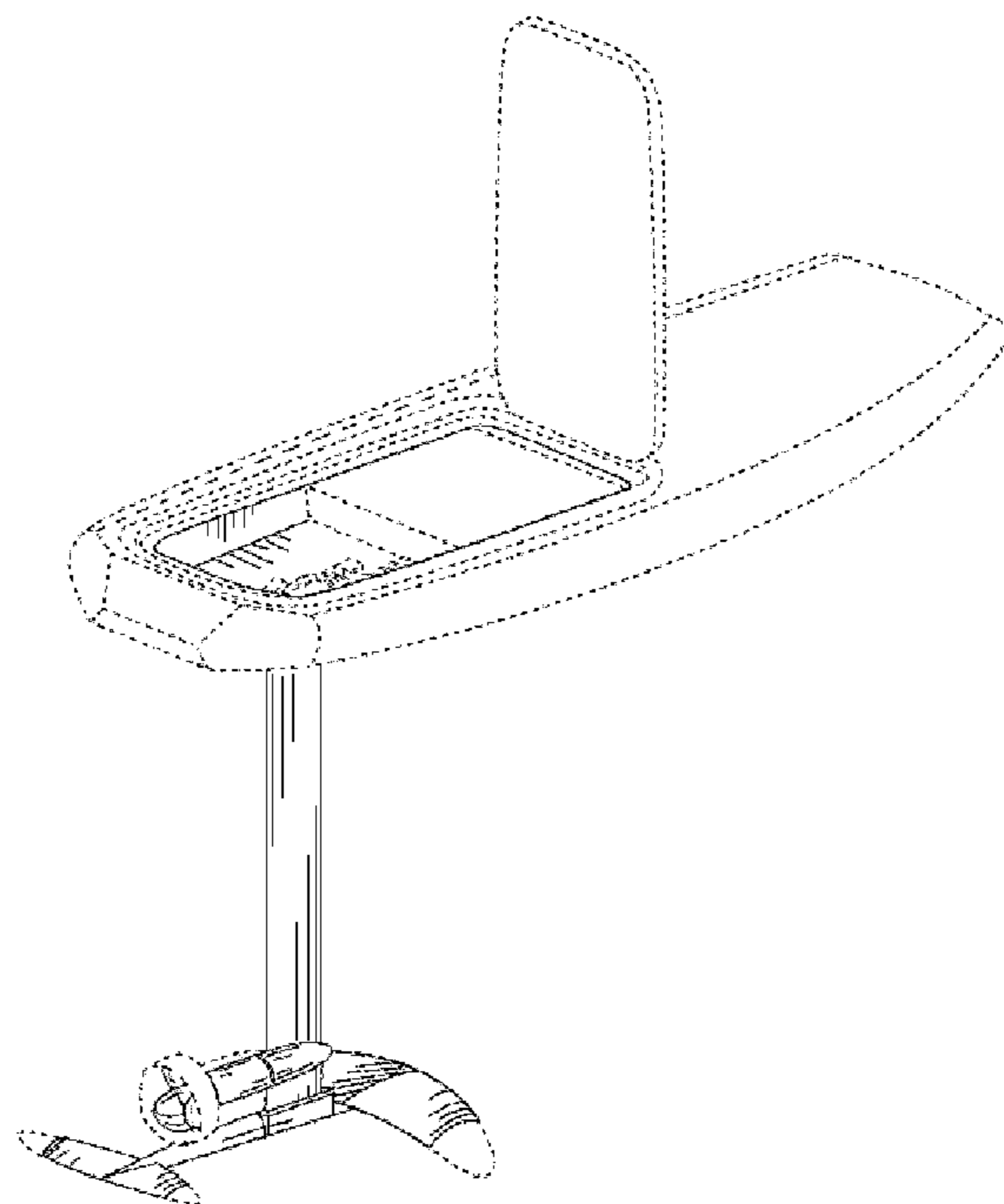
(57) **CLAIM**

The ornamental design for a hydrofoil board, as shown and described.

DESCRIPTION

FIG. 1 is a perspective view of the hydrofoil board, showing our new design;
FIG. 2 is a back view thereof;
FIG. 3 is a front view thereof;
FIG. 4 is a left view thereof;
FIG. 5 is a right view thereof;
FIG. 6 is a top view thereof;
FIG. 7 is a bottom view thereof; and,
FIG. 8 is an alternative perspective view thereof.
The broken lines shown in the drawings represent portions of the hydrofoil board that form no part of the claimed design.

1 Claim, 7 Drawing Sheets



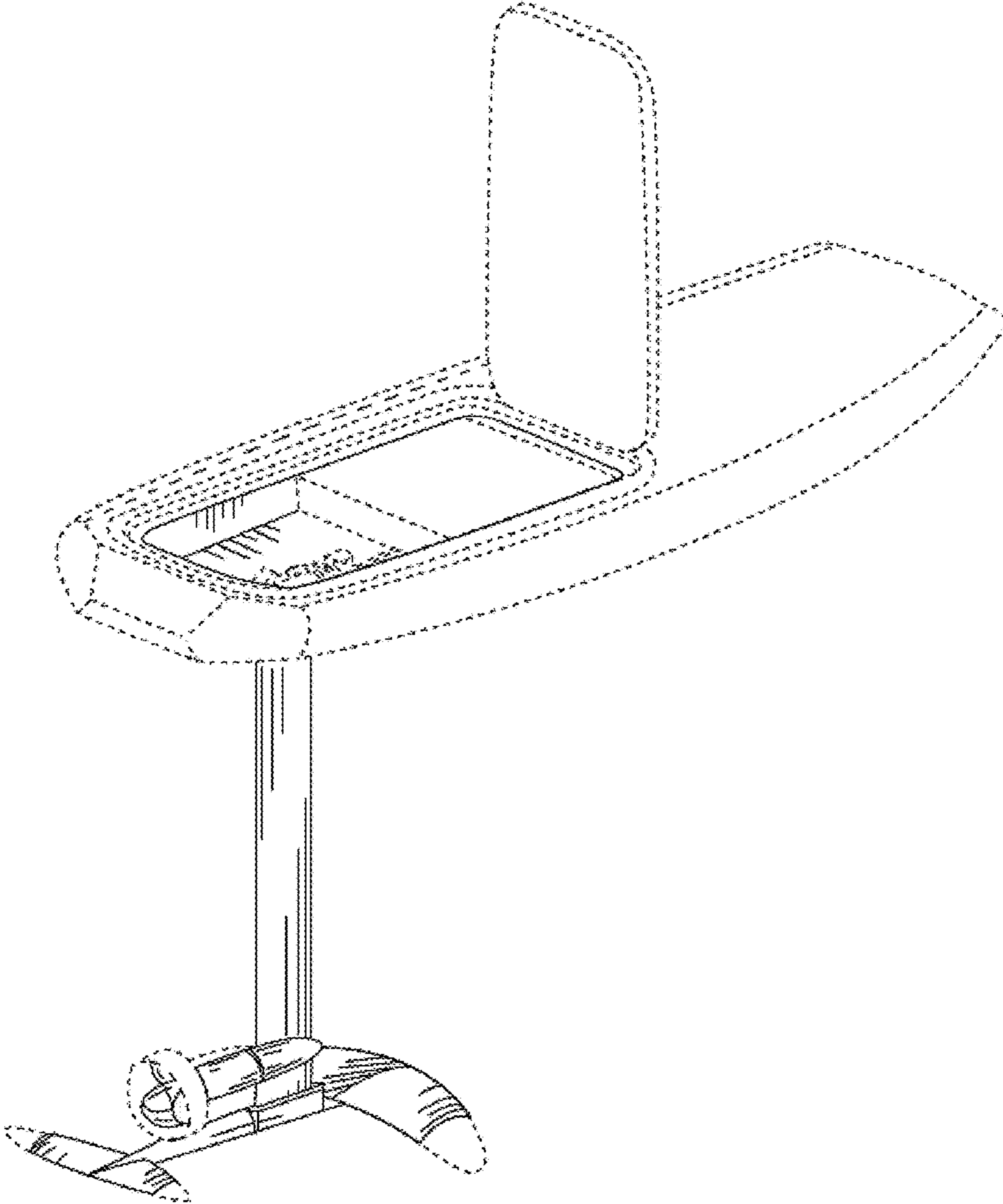


FIG. 1

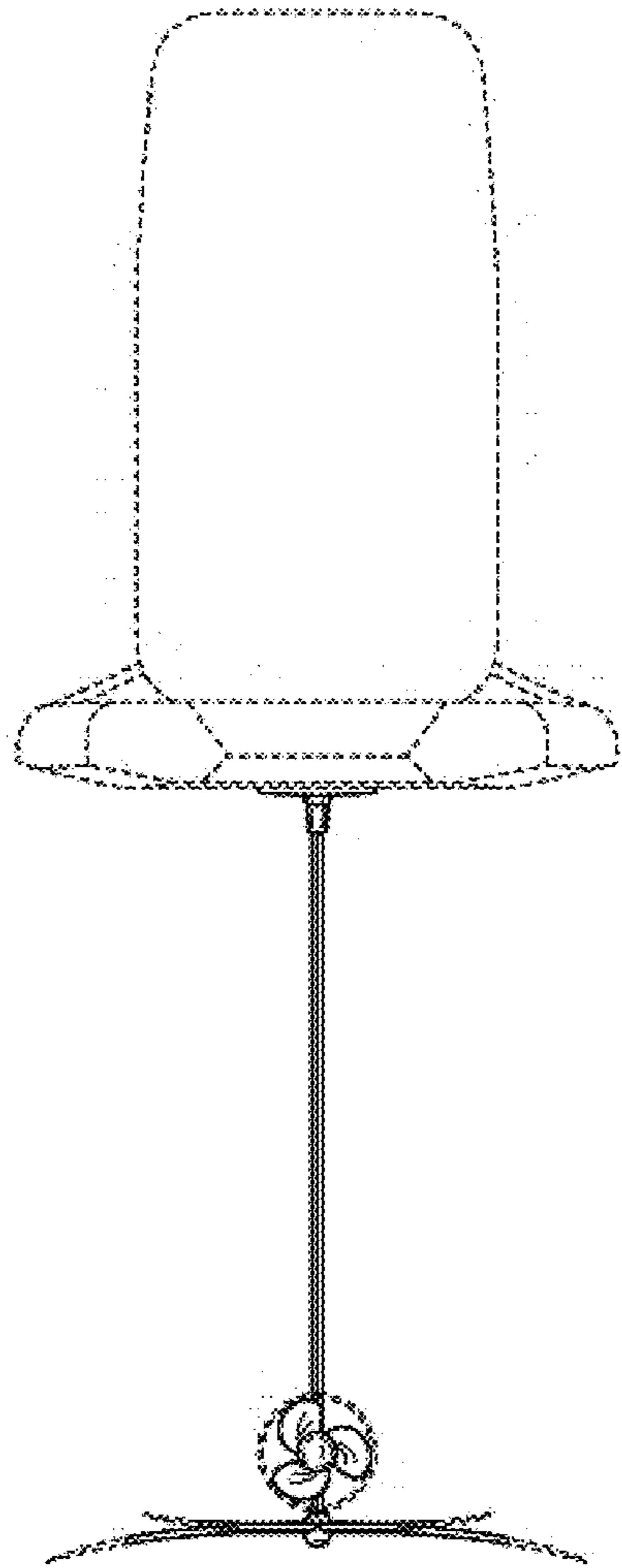


FIG. 2

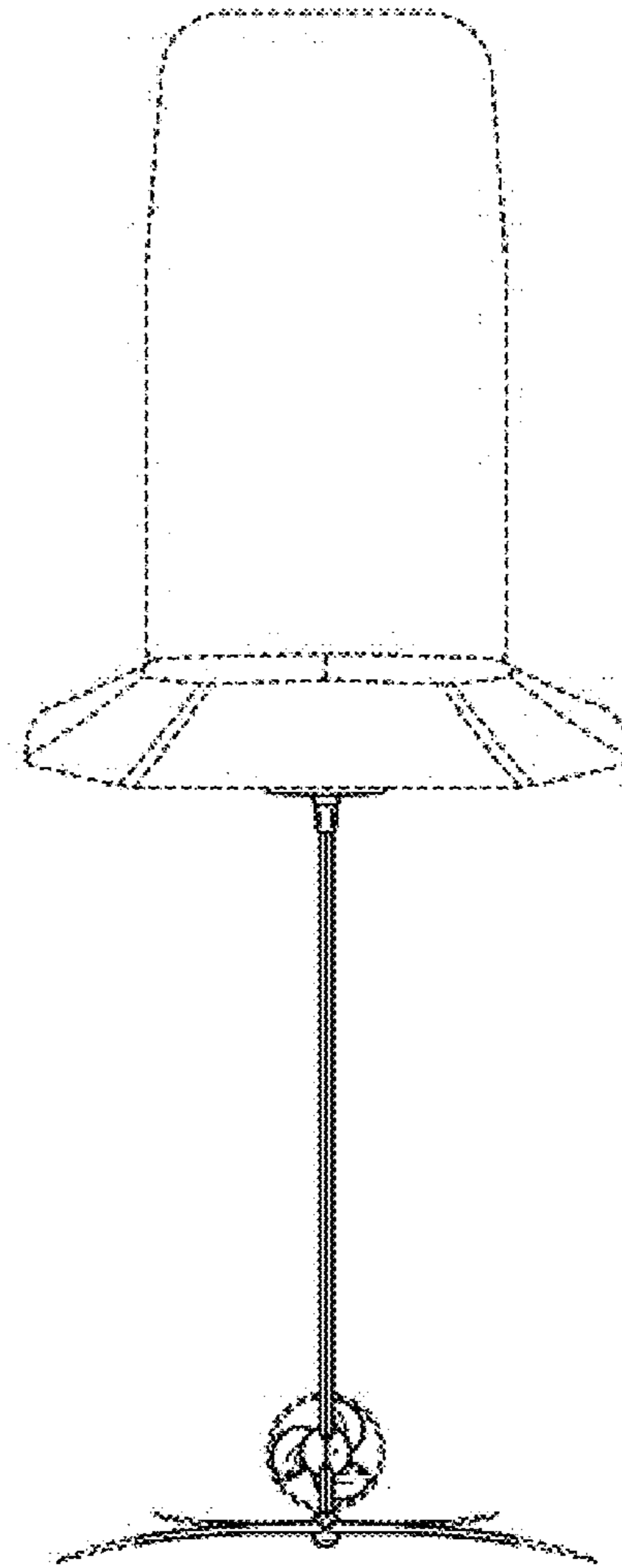


FIG. 3

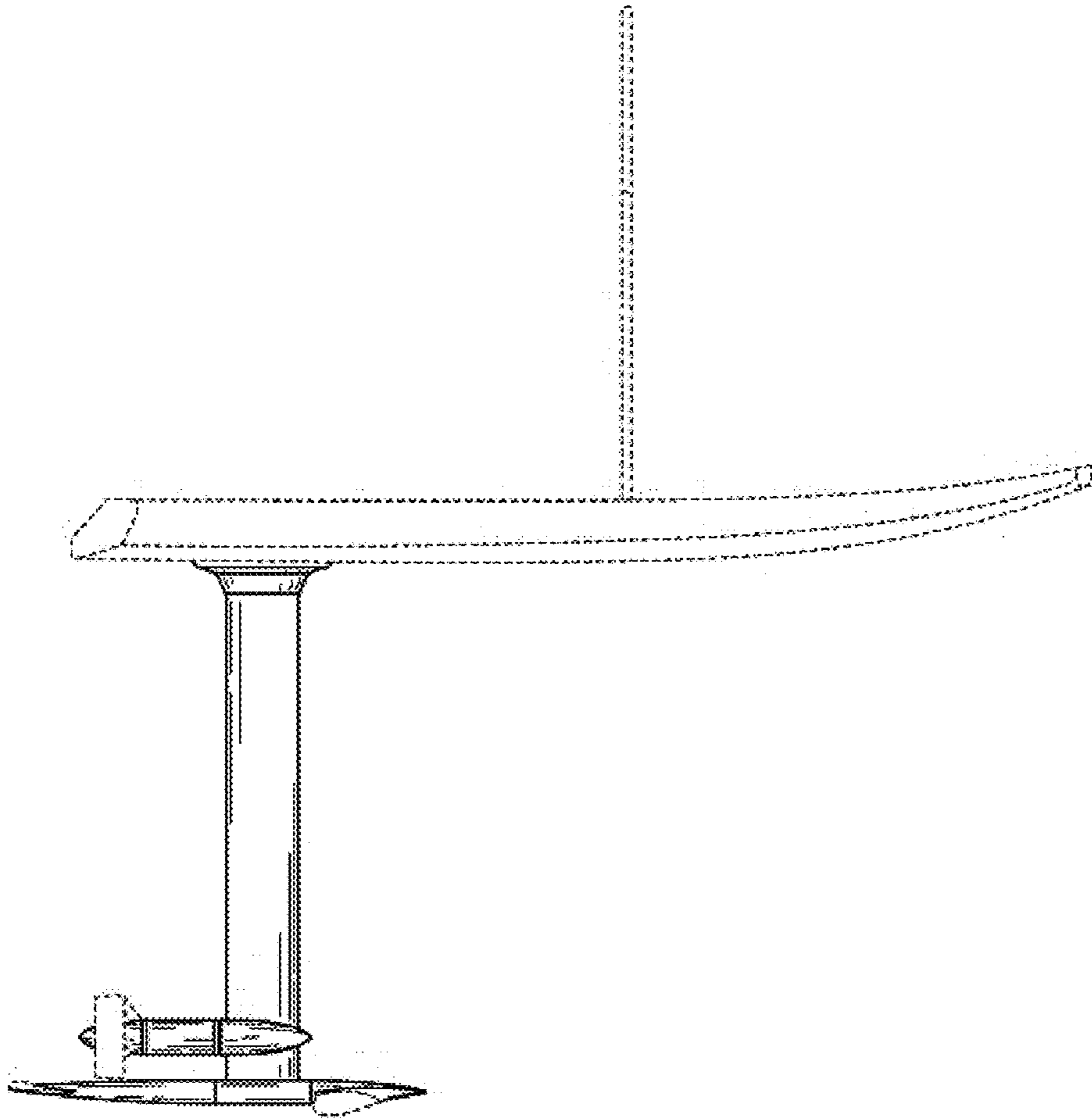


FIG. 4

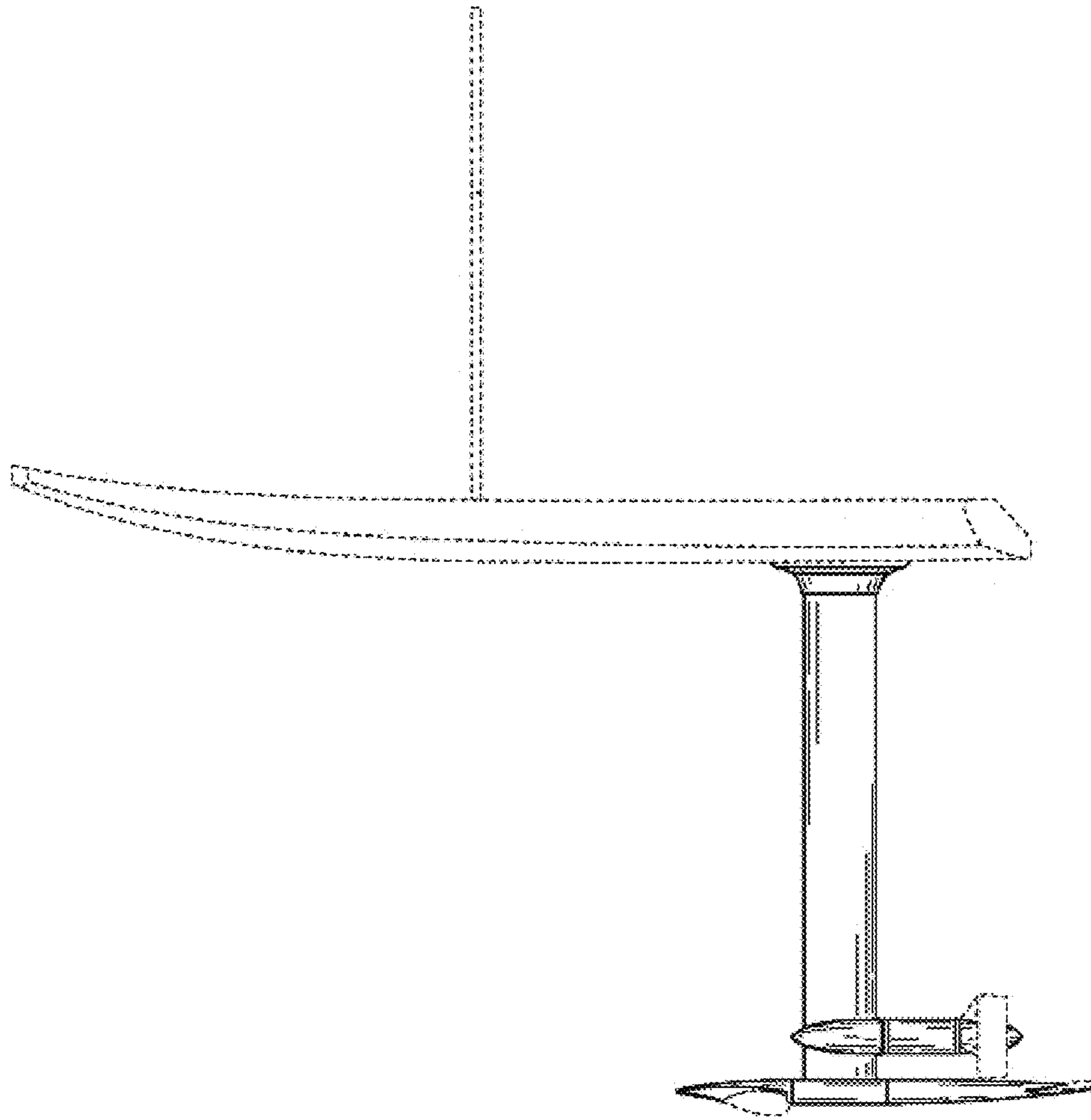


FIG. 5

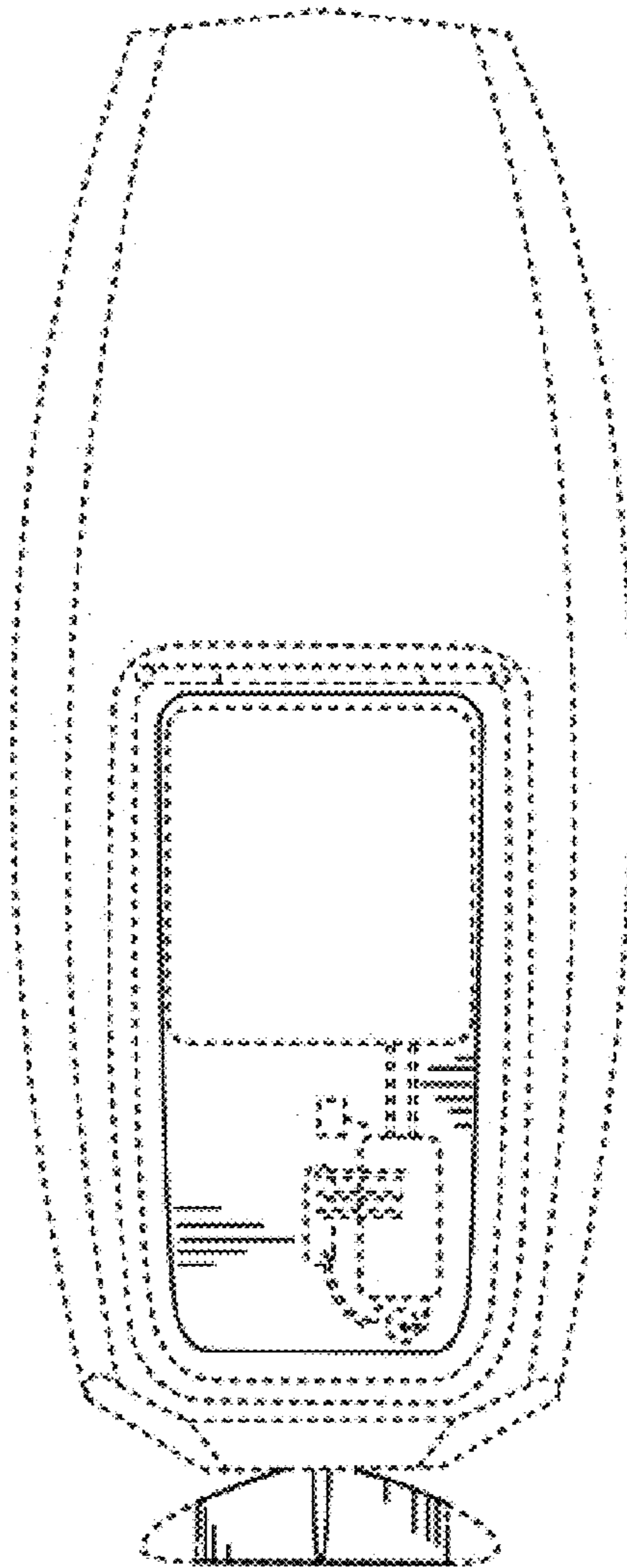


FIG. 6

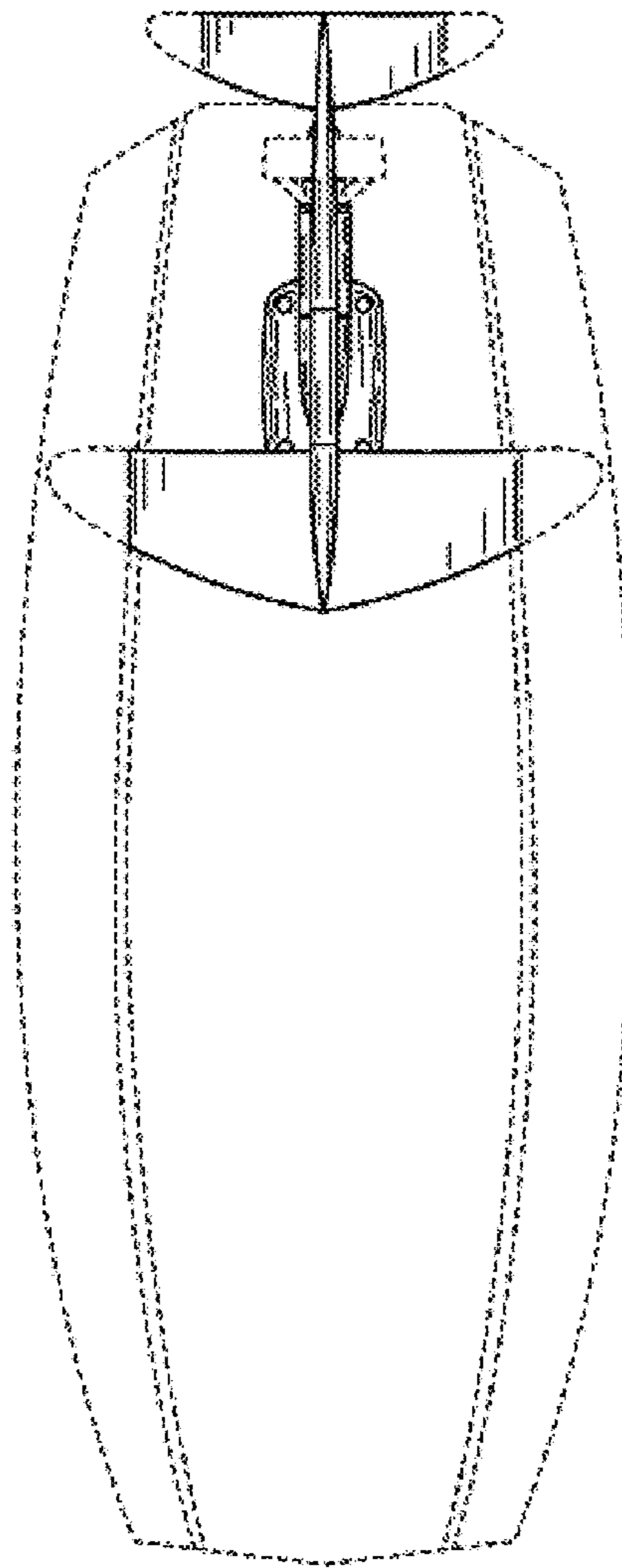


FIG. 7

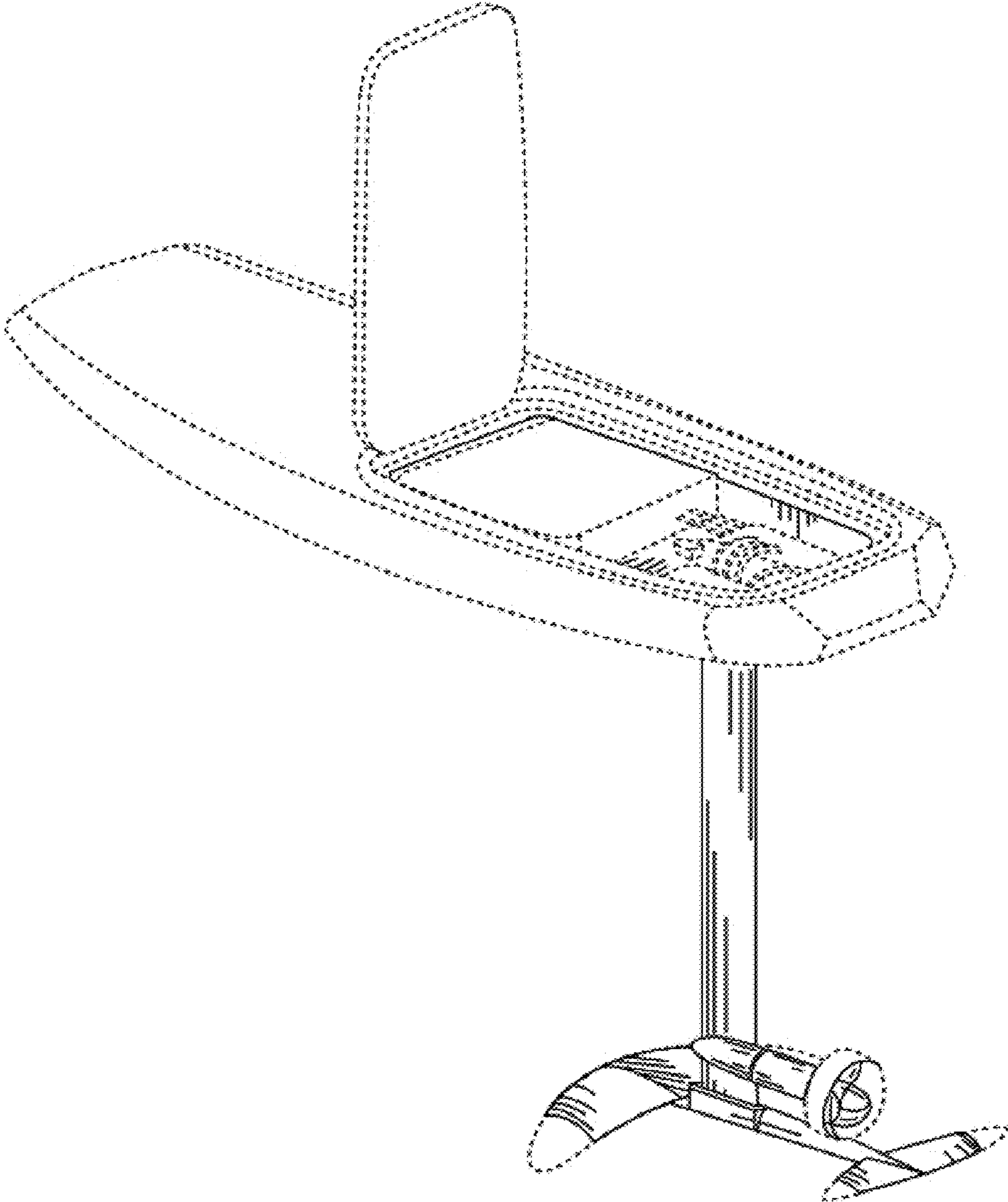


FIG. 8