



US00D853289S

(12) **United States Design Patent**
Woodhouse et al.

(10) **Patent No.:** **US D853,289 S**

(45) **Date of Patent:** **** Jul. 9, 2019**

(54) **VEHICLE REAR UPPER BUMPER COVER**

(71) Applicant: **Ford Global Technologies, LLC,**
Dearborn, MI (US)

(72) Inventors: **David Woodhouse,** Troy, MI (US);
Kemal Curic, Irvine, CA (US); **Xitij**
Mistry, Ann Arbor, MI (US); **John C.**
Caswell, Grosse Pointe, MI (US)

(73) Assignee: **Ford Global Technologies, LLC,**
Dearborn, MI (US)

(**) Term: **15 Years**

(21) Appl. No.: **29/641,718**

(22) Filed: **Mar. 23, 2018**

(51) **LOC (11) Cl.** **12-16**

(52) **U.S. Cl.**
USPC **D12/169**

(58) **Field of Classification Search**
USPC D12/169, 216, 90-92, 86, 171, 196, 163,
D12/190; 293/193.11; 296/180.1, 180.2;
180/68.1, 68.6
CPC B62D 25/08; B62B 9/16; B60K 11/08;
B60R 19/52; B60R 19/02; B60R 19/04
See application file for complete search history.

(56) **References Cited**

U.S. PATENT DOCUMENTS

D600,604 S * 9/2009 Lamm D12/169
D600,605 S * 9/2009 Lamm D12/169

D792,294 S * 7/2017 McCabe D12/169
D798,203 S * 9/2017 Shiu D12/169
D799,388 S * 10/2017 Smock D12/169
D807,801 S * 1/2018 Piscitelli D12/169
D815,572 S * 4/2018 Perkins D12/169
D821,940 S * 7/2018 Platto D12/169

* cited by examiner

Primary Examiner — Melody N Brown

(74) *Attorney, Agent, or Firm* — Vichit Chea

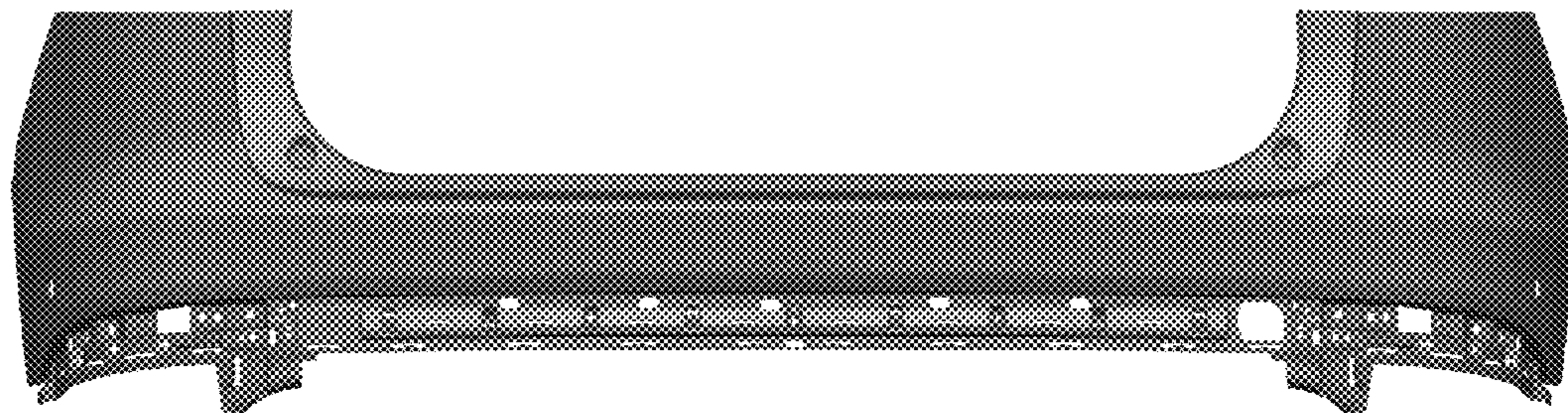
(57) **CLAIM**

The ornamental design for a vehicle rear upper bumper cover, as shown and described.

DESCRIPTION

FIG. 1 is a front elevational of a vehicle rear upper bumper cover, showing our new design;
FIG. 2 is a left side elevational view thereof;
FIG. 3 is a right side elevational view thereof;
FIG. 4 is a top plan view thereof;
FIG. 5 is a bottom plan view thereof.
FIG. 6 is a top, front and left side perspective view thereof;
and,
FIG. 7 is a bottom, front and left side perspective view thereof.

1 Claim, 7 Drawing Sheets



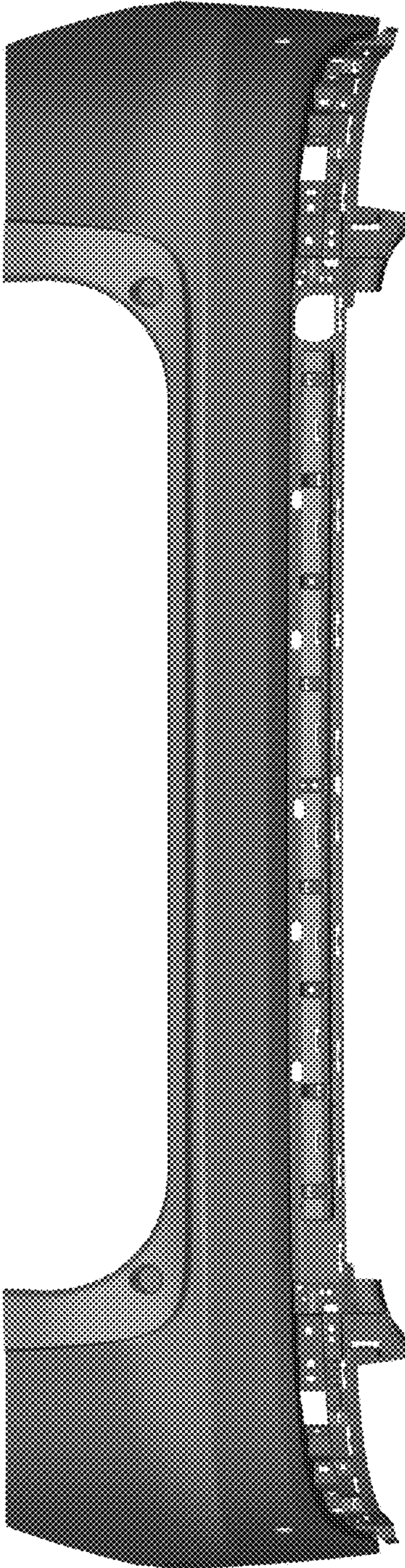


Fig. 1

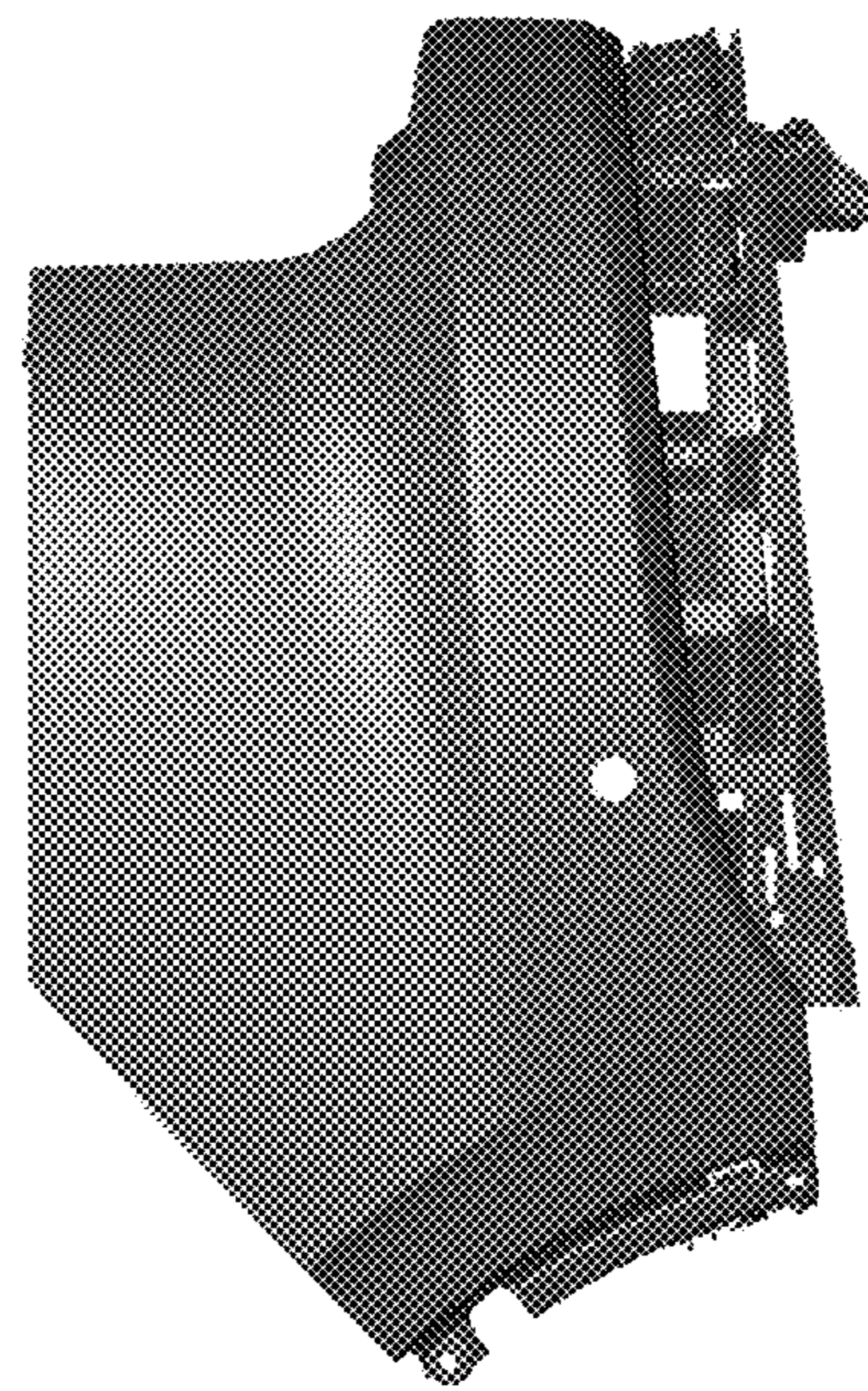


Fig. 2

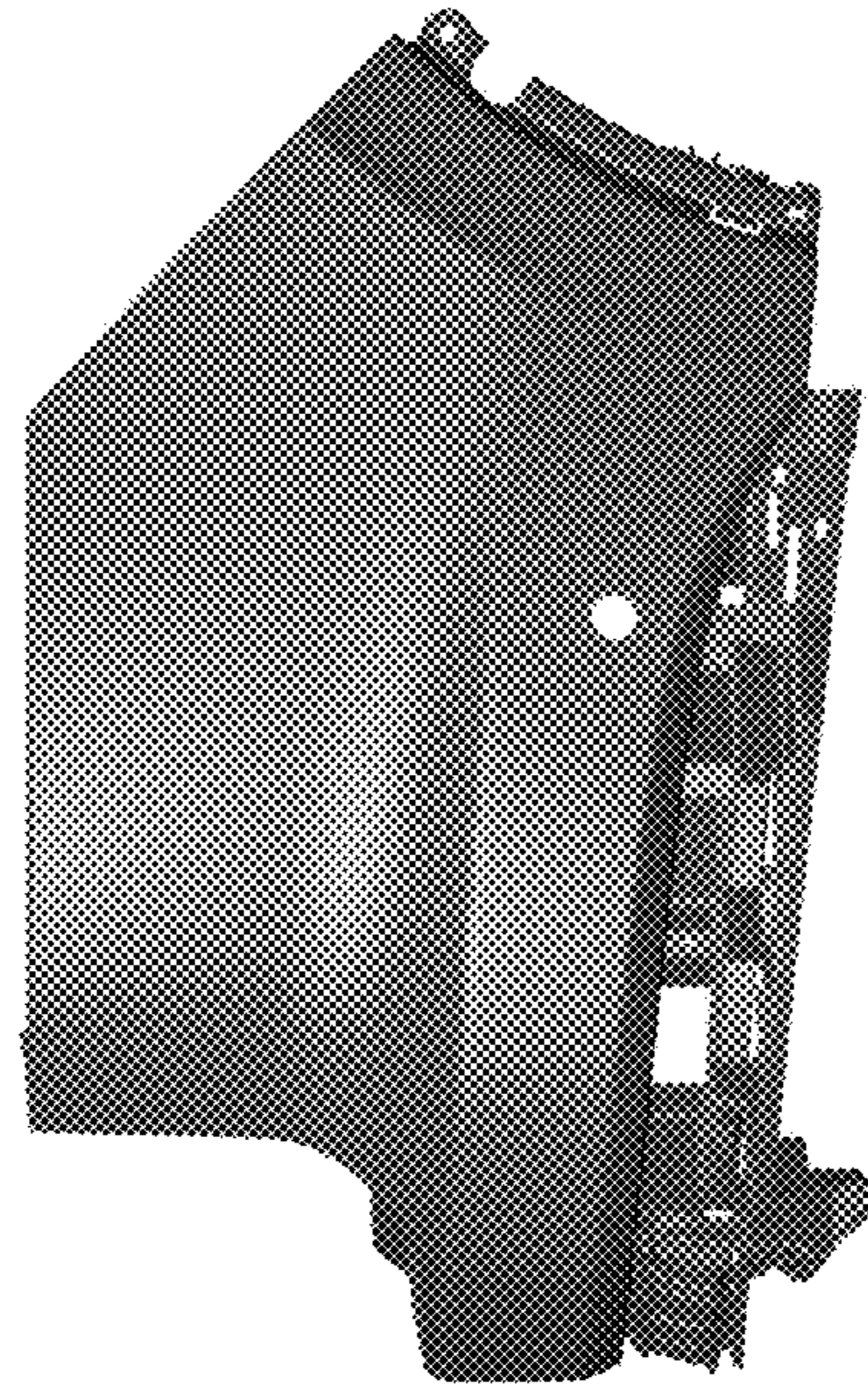


Fig. 3

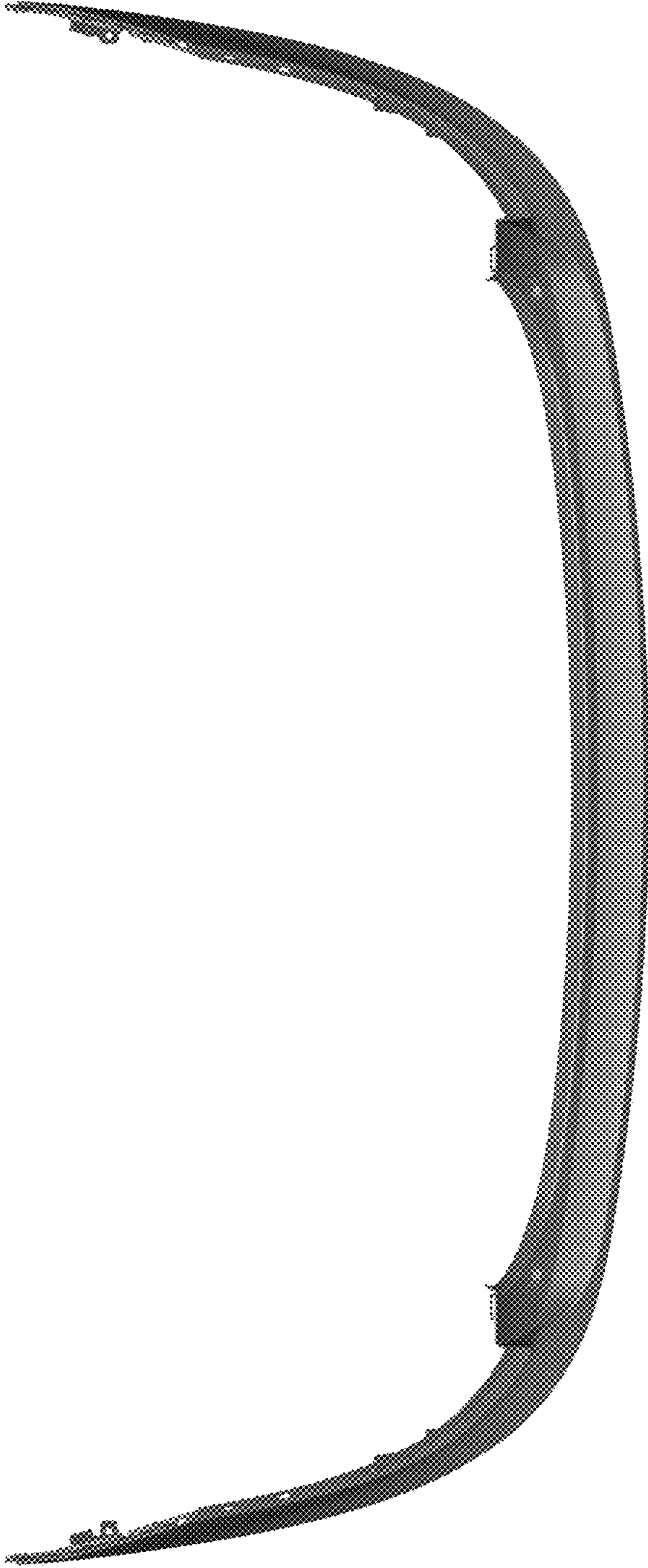


Fig. 4

Fig. 5



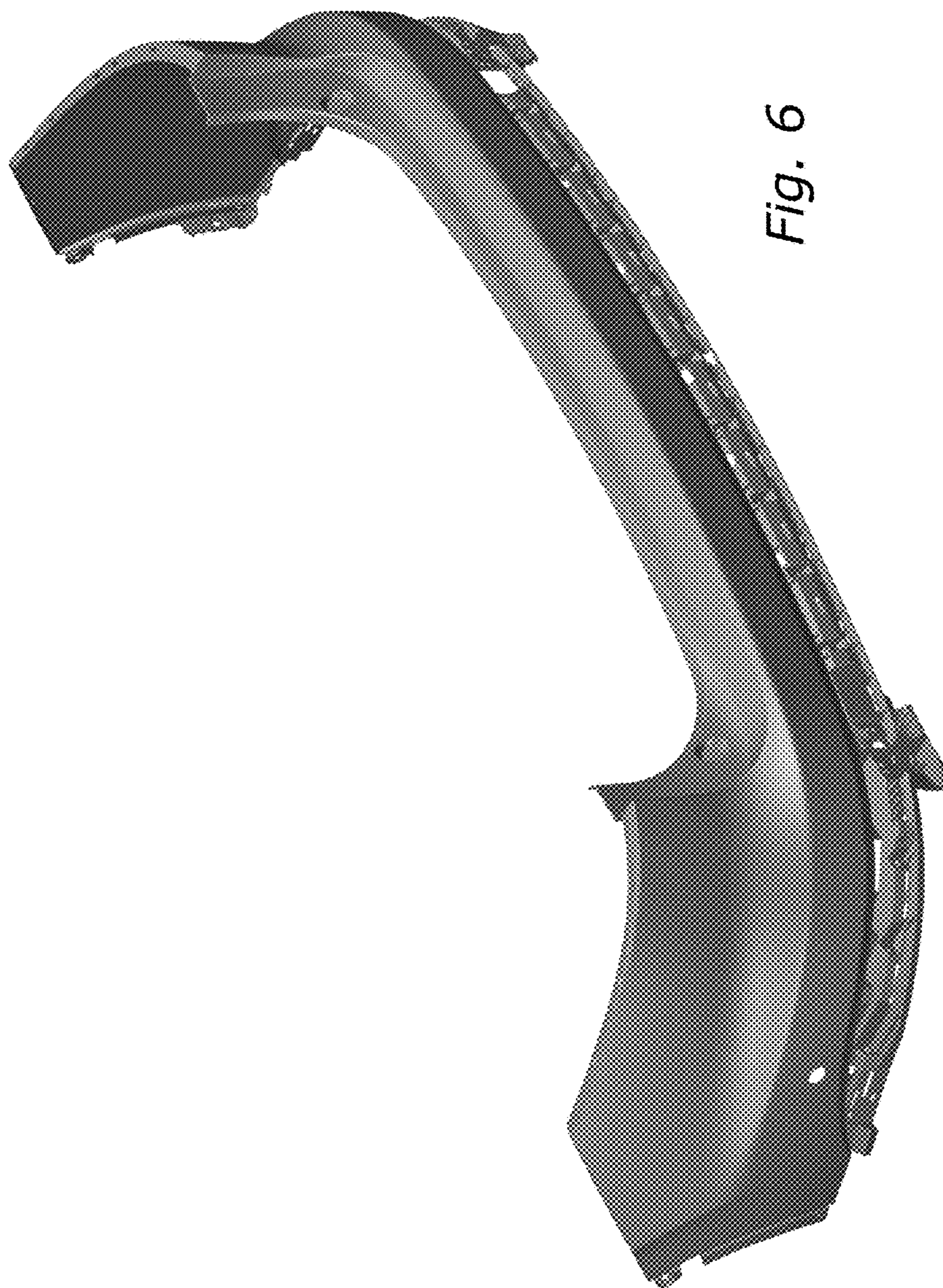


Fig. 6

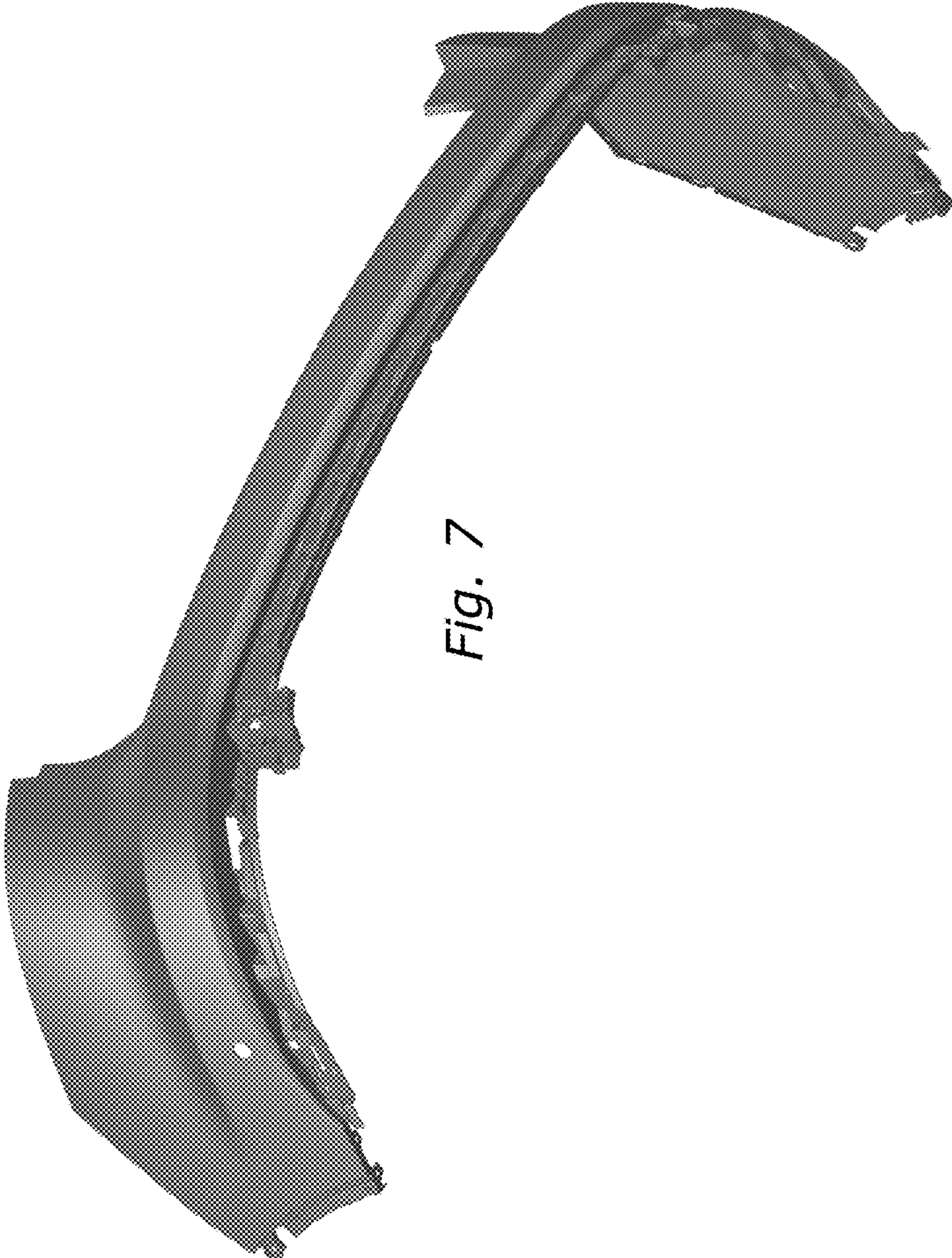


Fig. 7