



US00D853288S

(12) **United States Design Patent** (10) **Patent No.:** **US D853,288 S**  
**Impero** (45) **Date of Patent:** **\*\* Jul. 9, 2019**

- (54) **BUMPER FOR VEHICLE** D246,970 S \* 1/1978 Tixier ..... D12/169
- (71) Applicant: **INDUSTRY A.M.S. S.r.l.**, Casalnuovo D280,891 S \* 10/1985 Belsky ..... D12/169  
di Napoli (NA) (IT) D316,070 S \* 4/1991 Riss ..... D12/169
- (72) Inventor: **Pasquale Impero**, Casalnuovo di 5,219,197 A \* 6/1993 Rich ..... B60R 19/18  
Napoli (IT) 293/120
- (73) Assignee: **INDUSTRY A.M.S. S.R.L.**, 6,179,353 B1 \* 1/2001 Heatherington ..... B60R 19/18  
Casalnuovo di Napoli (IT) 293/120
- (\*) Notice: This patent is subject to a terminal dis- 6,896,303 B1 5/2005 Mohr  
claimer. 7,007,989 B2 \* 3/2006 Yoon ..... B60R 19/18  
293/120
- (\*\*) Term: **15 Years** 7,163,241 B2 1/2007 Liu et al.  
8,061,743 B2 11/2011 Wakabayashi ..... B21D 5/08  
29/897.2
- (21) Appl. No.: **29/609,277** 8,276,955 B2 10/2012 Baccouche ..... B60R 19/34  
293/133
- (22) Filed: **Jun. 29, 2017** D704,606 S \* 5/2014 Kirtland ..... D12/172  
D731,934 S 6/2015 Impero ..... D12/172

**Related U.S. Application Data**

- (62) Division of application No. 29/515,483, filed on Jan. 23, 2015, now Pat. No. Des. 816,557, which is a division of application No. 29/406,697, filed on Nov. 17, 2011, now Pat. No. Des. 731,934.

**Foreign Application Priority Data**

- (30) May 18, 2011 (EM) ..... 1865106-0001/0009
- (51) **LOC (11) Cl.** ..... **12-16**
- (52) **U.S. Cl.**  
USPC ..... **D12/169**
- (58) **Field of Classification Search**  
USPC ..... D12/169, 172  
CPC ..... B60R 19/18  
See application file for complete search history.

**References Cited**

**U.S. PATENT DOCUMENTS**

- 3,831,441 A 8/1974 Petty
- 3,901,543 A \* 8/1975 Norlin ..... B60R 19/18  
293/122

(Continued)

*Primary Examiner* — George D. Kirschbaum  
(74) *Attorney, Agent, or Firm* — R. Neil Sudol; Henry D. Coleman

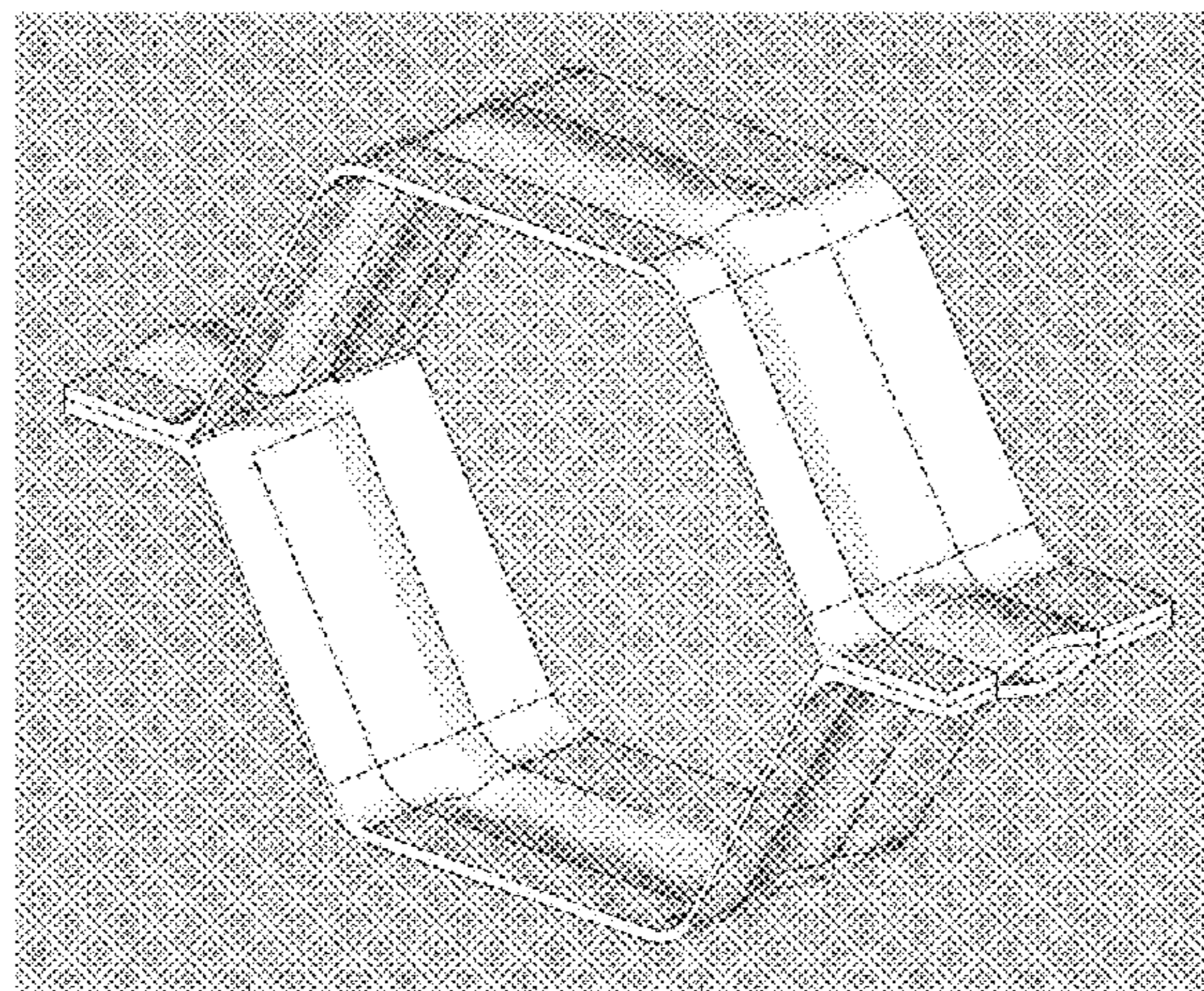
(57) **CLAIM**

I claim the ornamental design for bumper for vehicle, as shown and described.

**DESCRIPTION**

FIG. 1 is a front perspective view of a bumper for vehicle, showing my design;  
FIG. 2 is a right side view thereof;  
FIG. 3 is a left side view thereof;  
FIG. 4 is a front view thereof;  
FIG. 5 is a rear view thereof;  
FIG. 6 is a top view thereof; and,  
FIG. 7 is a bottom view thereof.

**1 Claim, 3 Drawing Sheets**



(56)

**References Cited**

U.S. PATENT DOCUMENTS

9,238,444	B2	1/2016	Terada .....	B60R 19/18
D763,745	S	8/2016	Lee, IV .....	D12/169
D793,305	S *	8/2017	McMath .....	D12/169
2006/0071486	A1	4/2006	Lamparter	
2008/0284183	A1	11/2008	Johnson	

\* cited by examiner



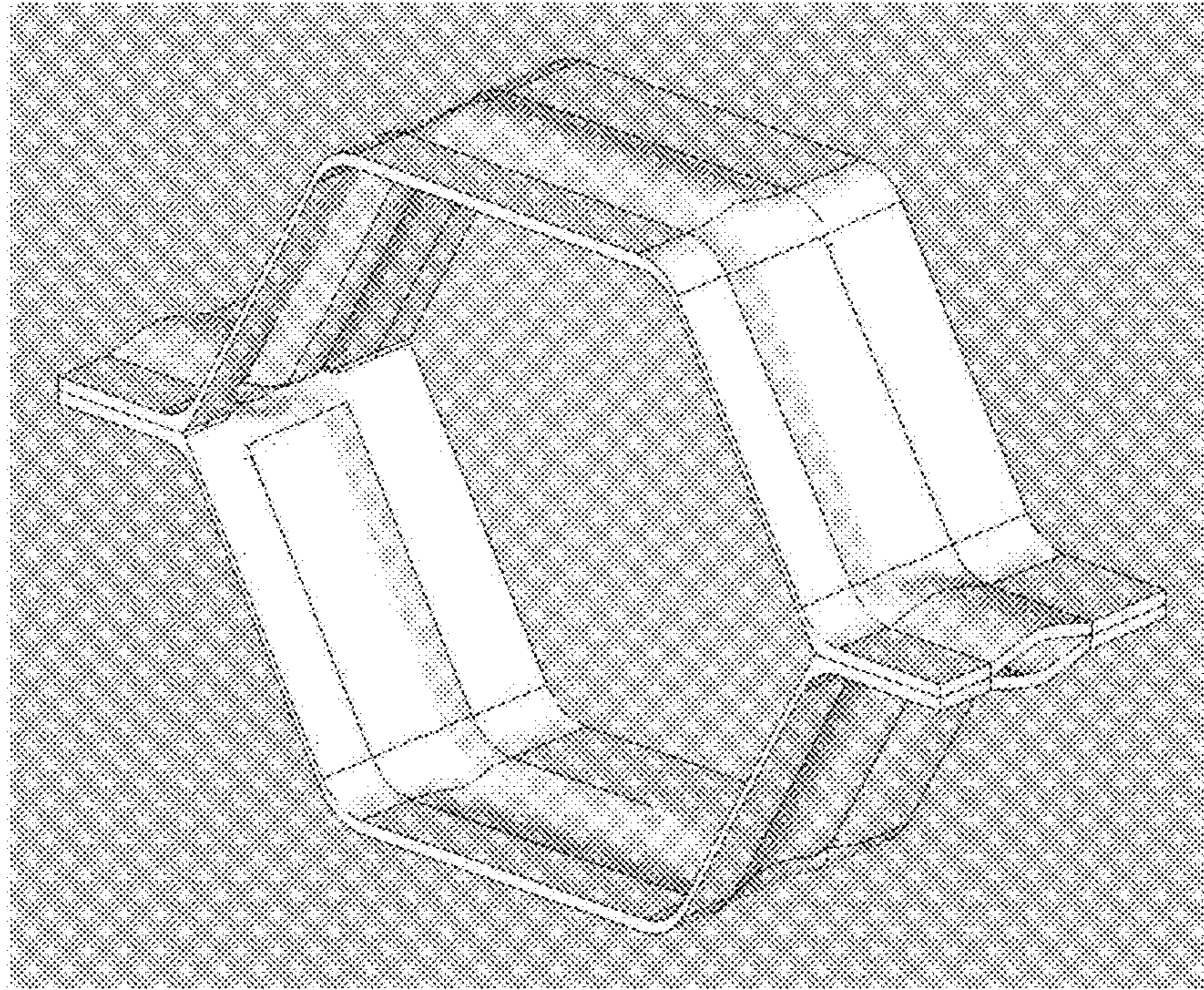


Fig. 1

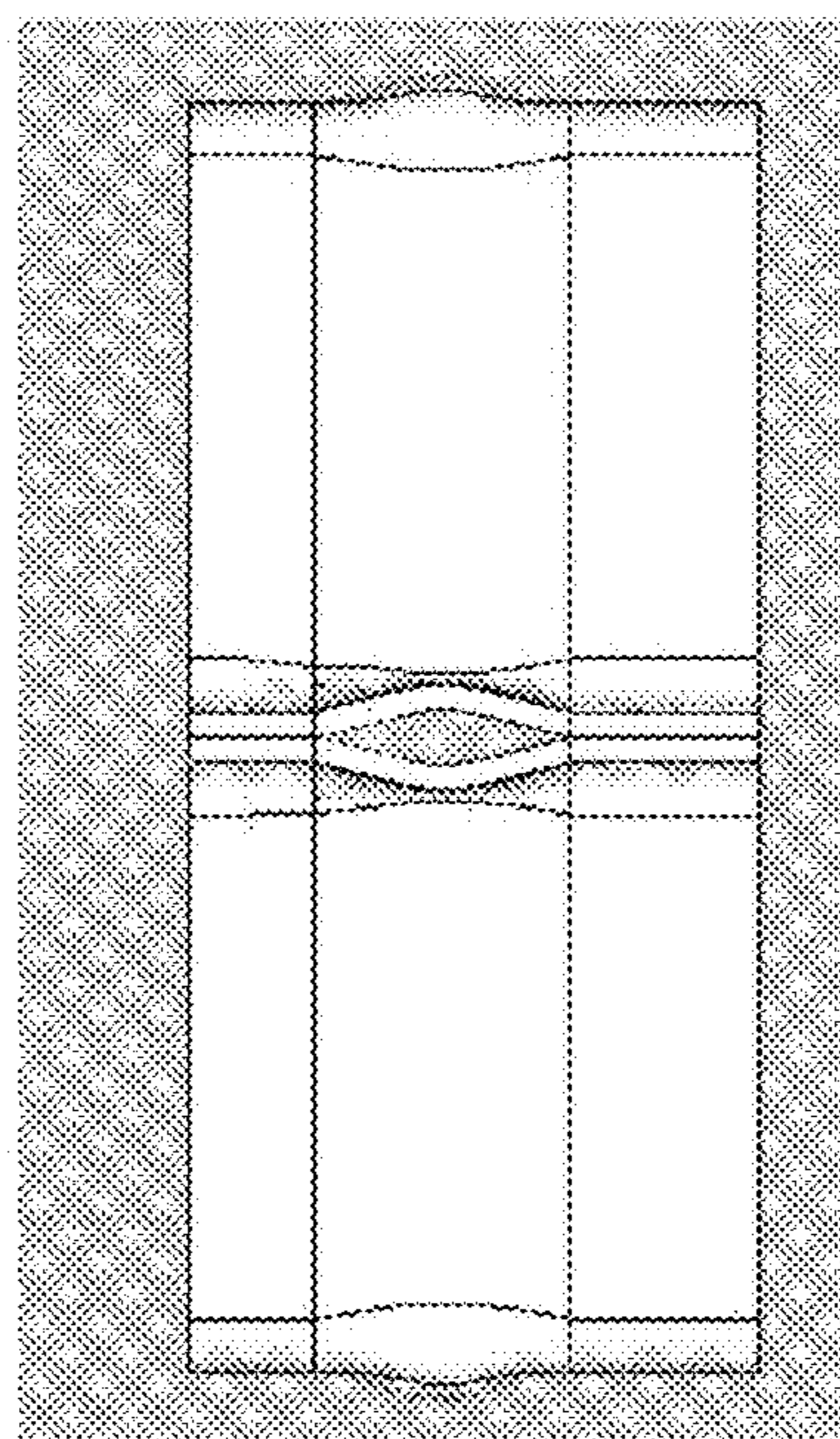


Fig. 2



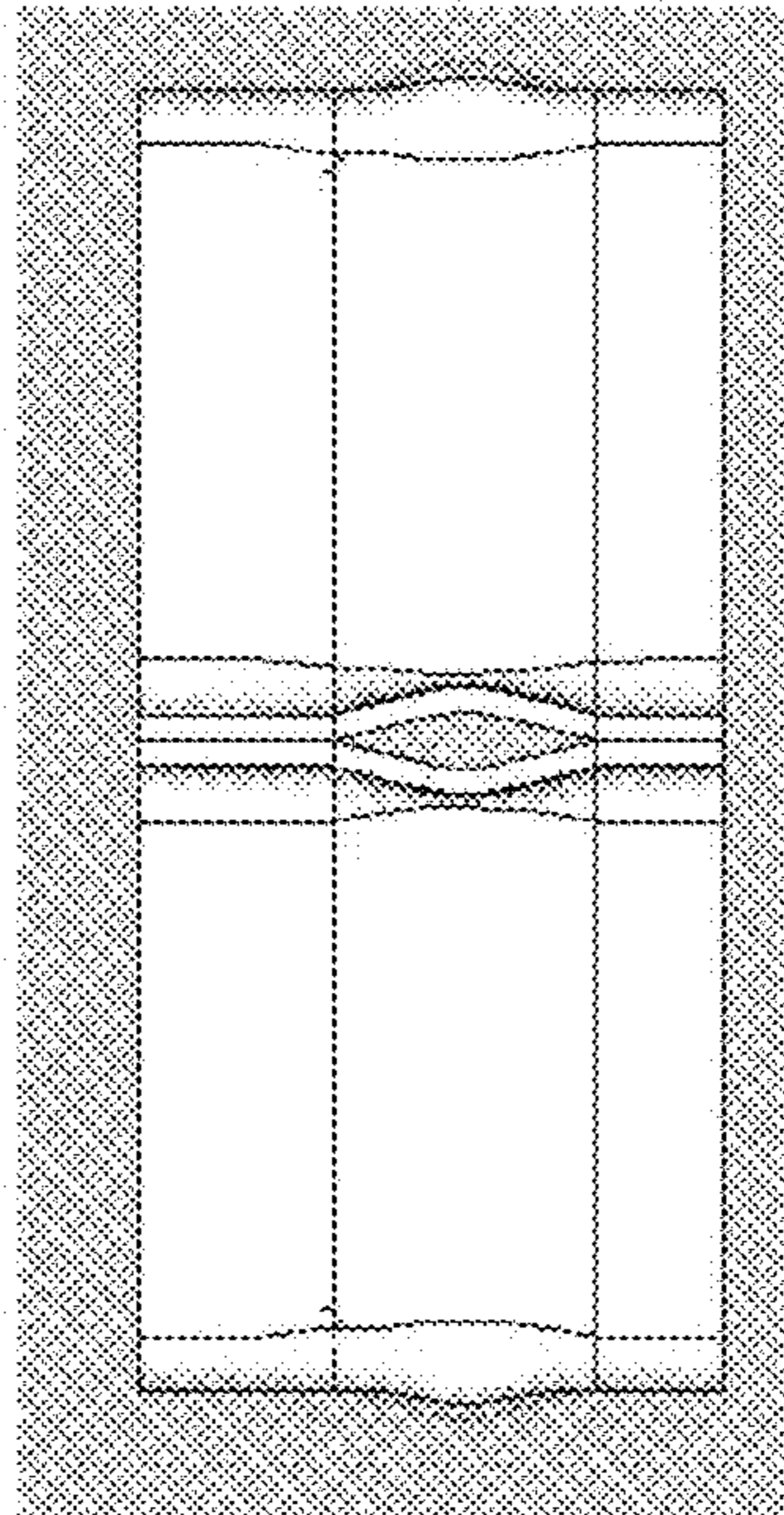


Fig. 3

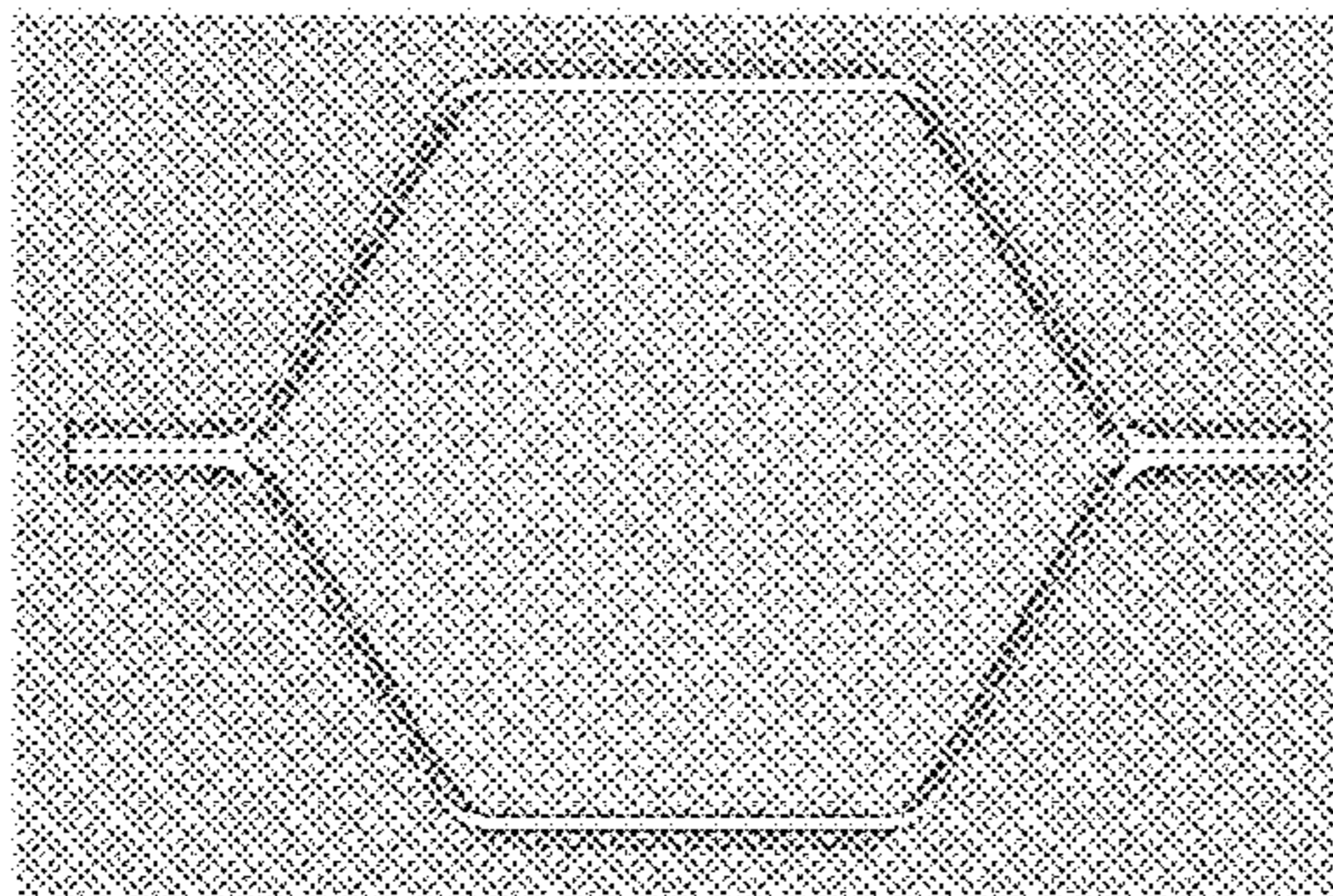


Fig. 4

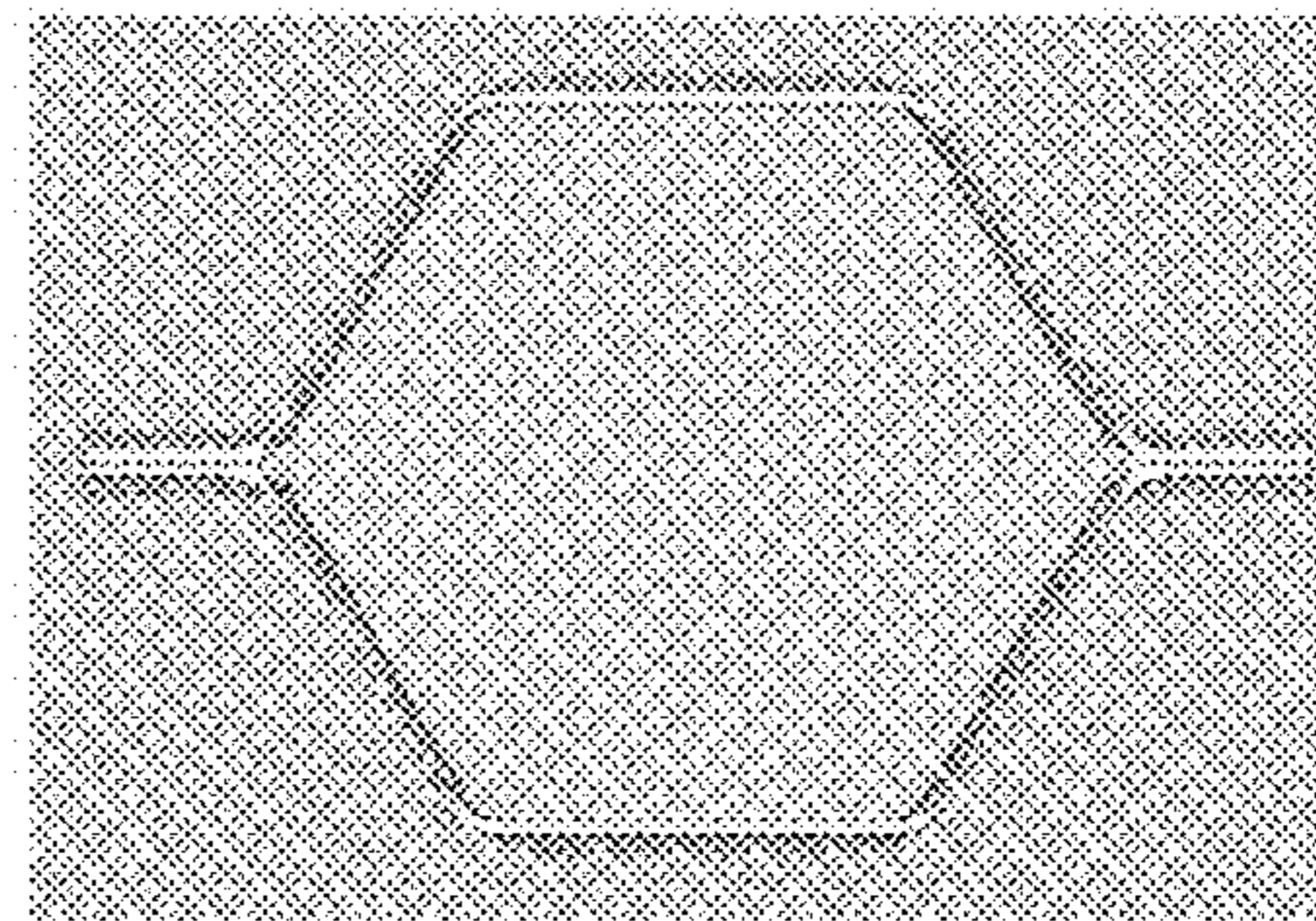


Fig. 5

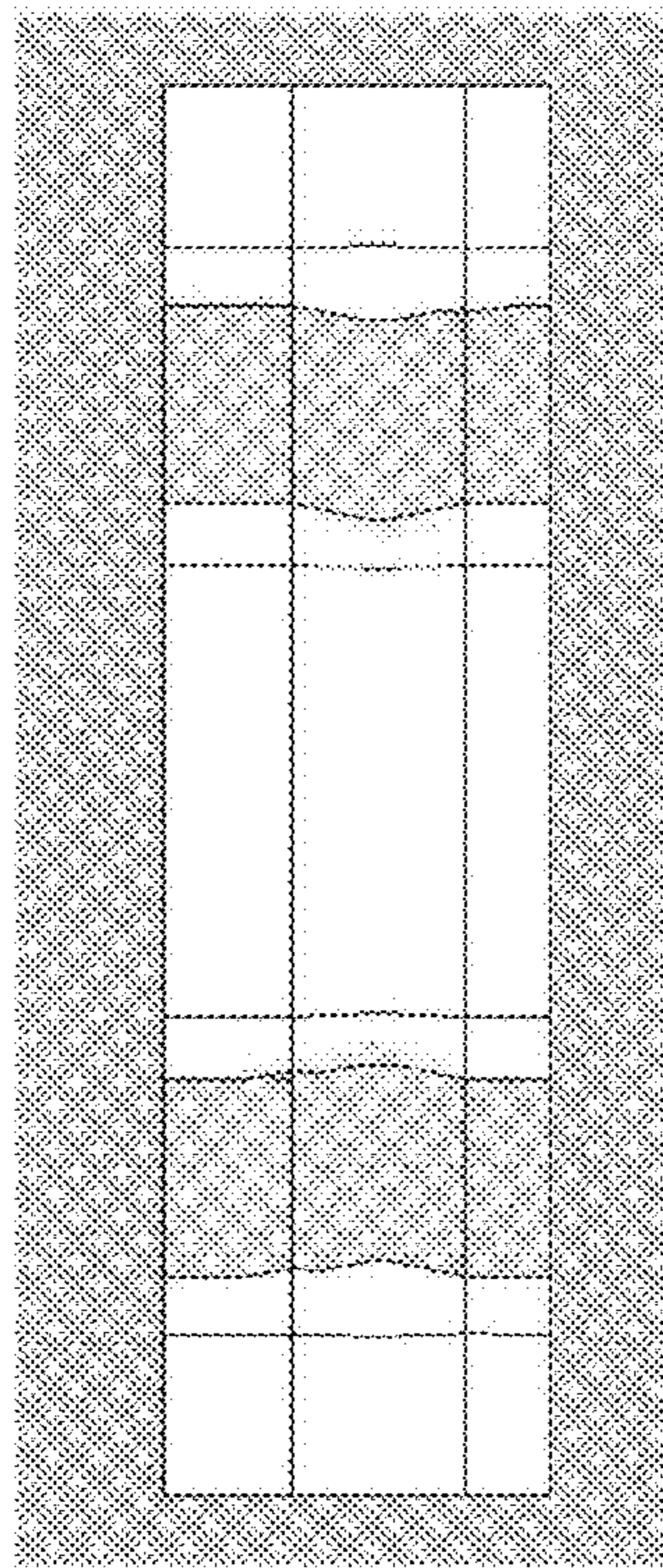


Fig. 6

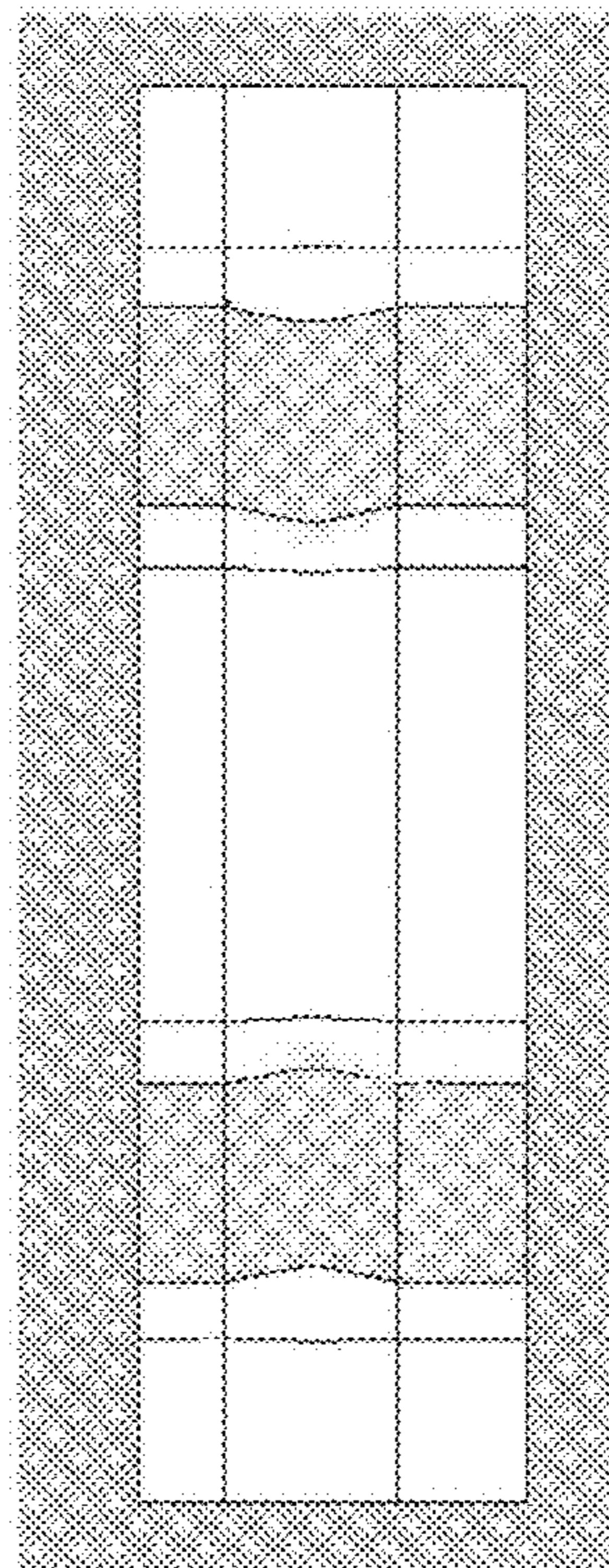


Fig. 7