



US00D853287S

(12) **United States Design Patent**  
**Zavala**

(10) **Patent No.:** **US D853,287 S**

(45) **Date of Patent:** **\*\* Jul. 9, 2019**

(54) **FRONT GRILLE FOR VEHICLES ADAPTED TO ACCEPT LIGHTS**

<https://www.westinautomotive.com/hdx-led-grille> Sep. 20, 2017 (Year: 2017).\*

(71) Applicant: **Westin Automotive Products, Inc.**,  
San Dimas, CA (US)

\* cited by examiner

(72) Inventor: **Paul Zavala**, Glendora, CA (US)

*Primary Examiner* — Leanne Was-Englehart

(73) Assignee: **Westin Automotive Products, Inc.**,  
San Dimas, CA (US)

(74) *Attorney, Agent, or Firm* — The Dobrusin Law Firm,  
PC

(\*\*) Term: **15 Years**

(21) Appl. No.: **29/625,088**

(22) Filed: **Nov. 7, 2017**

(51) **LOC (11) Cl.** ..... **12-16**

(52) **U.S. Cl.**  
USPC ..... **D12/163**

(58) **Field of Classification Search**

USPC ..... D12/86-92, 163-172

CPC ..... B60R 19/02; B60R 19/023; B60R 19/18;

B60R 19/24; B60R 19/44; B60R 19/48;

B60R 19/56; B60R 2019/527; B60R

2019/1886

See application file for complete search history.

(56) **References Cited**

**U.S. PATENT DOCUMENTS**

D431,506 S \* 10/2000 Runfola ..... D12/169

D775,013 S \* 12/2016 Bennett ..... D12/169

D776,582 S \* 1/2017 Bennett ..... D12/169

D782,375 S \* 3/2017 Ito ..... D12/169

D800,036 S \* 10/2017 Bennett ..... D12/169

**OTHER PUBLICATIONS**

<https://www.dieselarmy.com/features/sema-coverage/sema-2017-westin-hdx-led-grille-best-new-exterior-product/> Nov. 2, 2017 (Year: 2017).\*

(57) **CLAIM**

The ornamental design for a front grille for vehicles adapted to accept lights, as shown and described.

**DESCRIPTION**

FIG. 1 is a front perspective view of a front grille for vehicles adapted to accept lights of the present invention; FIG. 2 is a rear perspective view of the front grille shown in FIG. 1;

FIG. 3 is a front view of the front grille shown in FIG. 1;

FIG. 4 is a rear view of the front grille shown in FIG. 1;

FIG. 5 is a top view of the front grille shown in FIG. 1;

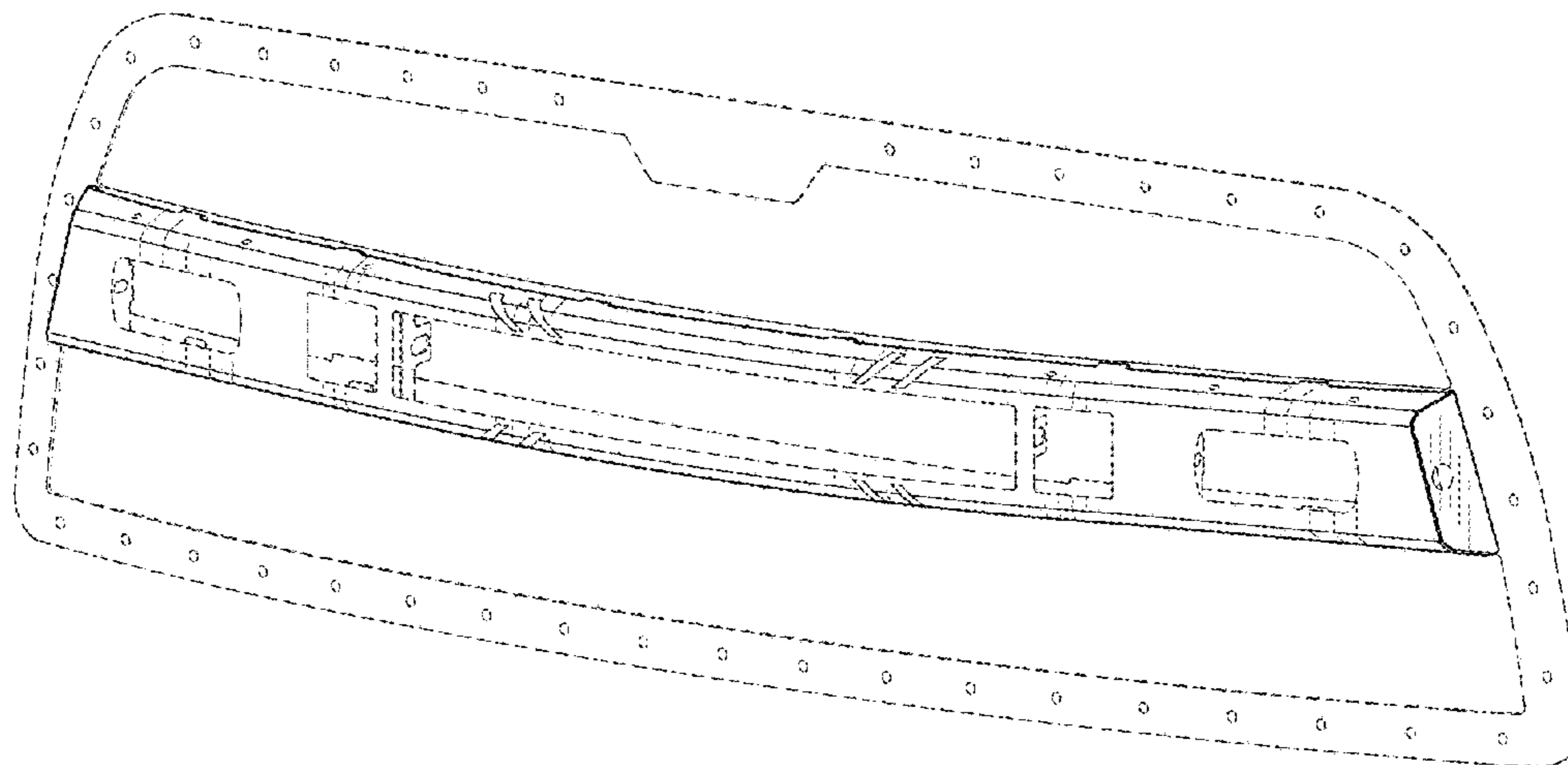
FIG. 6 is a bottom view of the front grille shown in FIG. 1;

FIG. 7 is a view of one side of the front grille shown in FIG. 1; and,

FIG. 8 is a view of the opposite side of the front grille shown in FIG. 7.

The ornamental design which is claimed is shown in the solid lines in the drawings. The broken lines shown in the drawings are for the purpose of illustrating environmental structure and form no part of the claimed design.

**1 Claim, 6 Drawing Sheets**



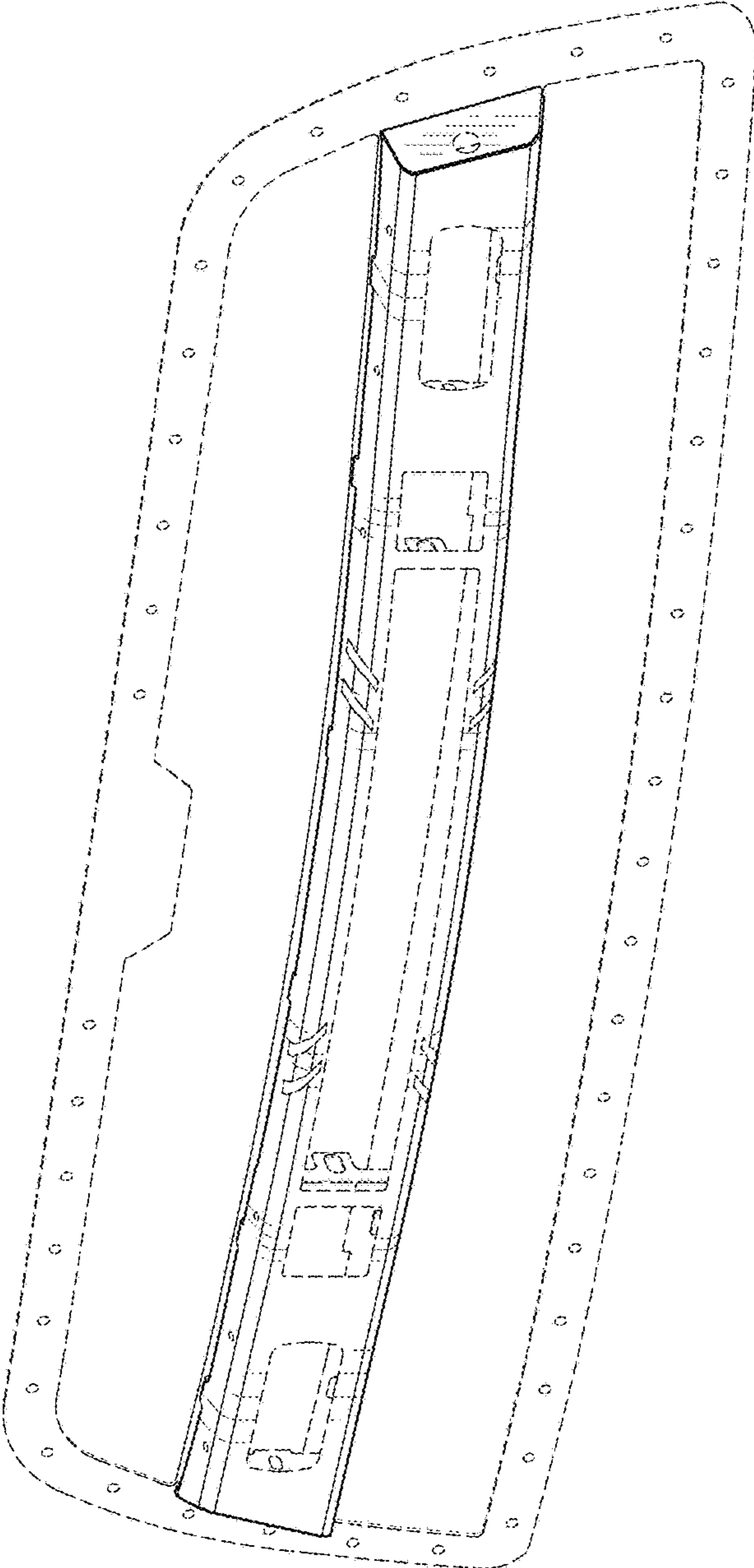


Fig-1

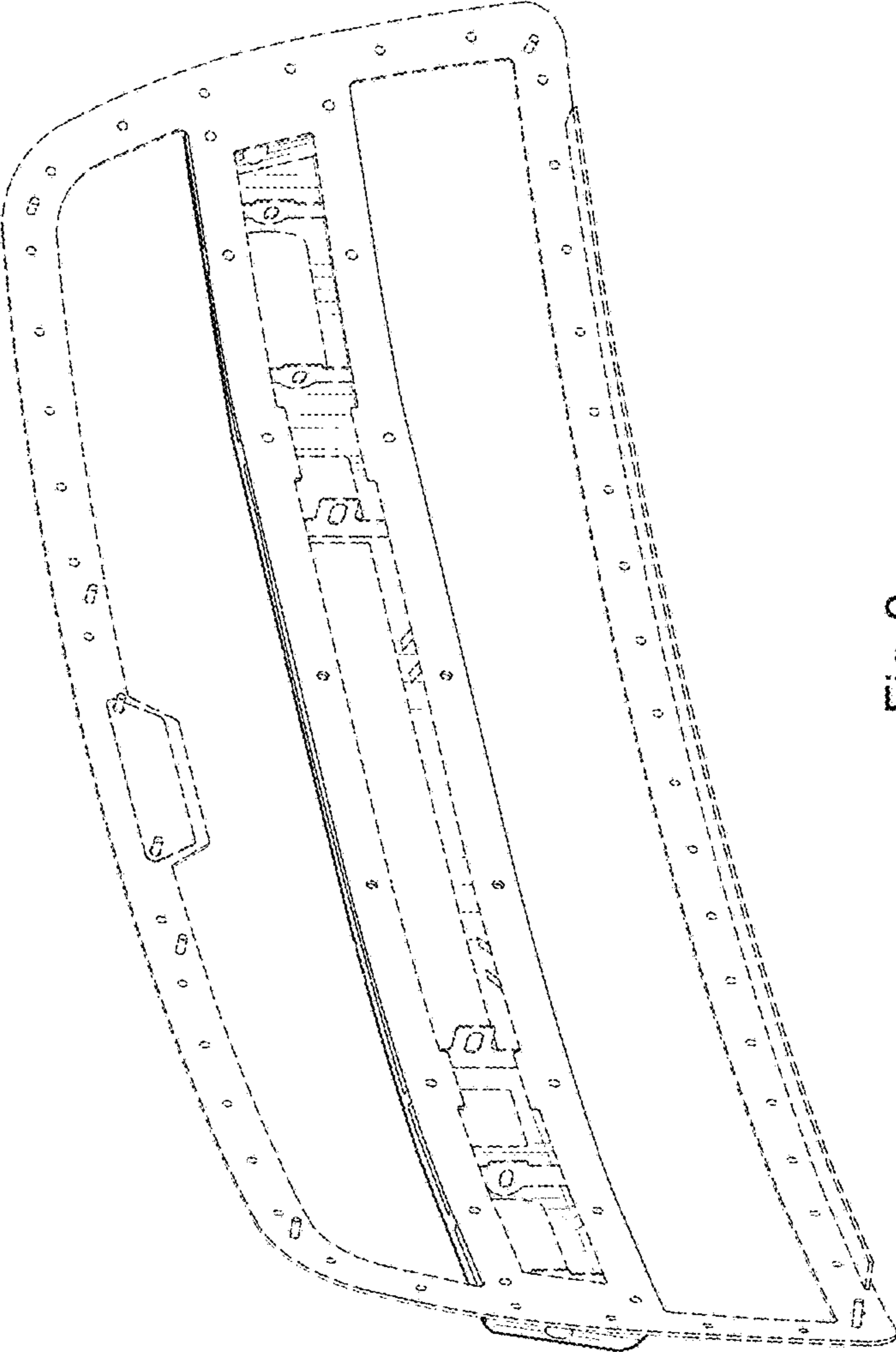


Fig-2

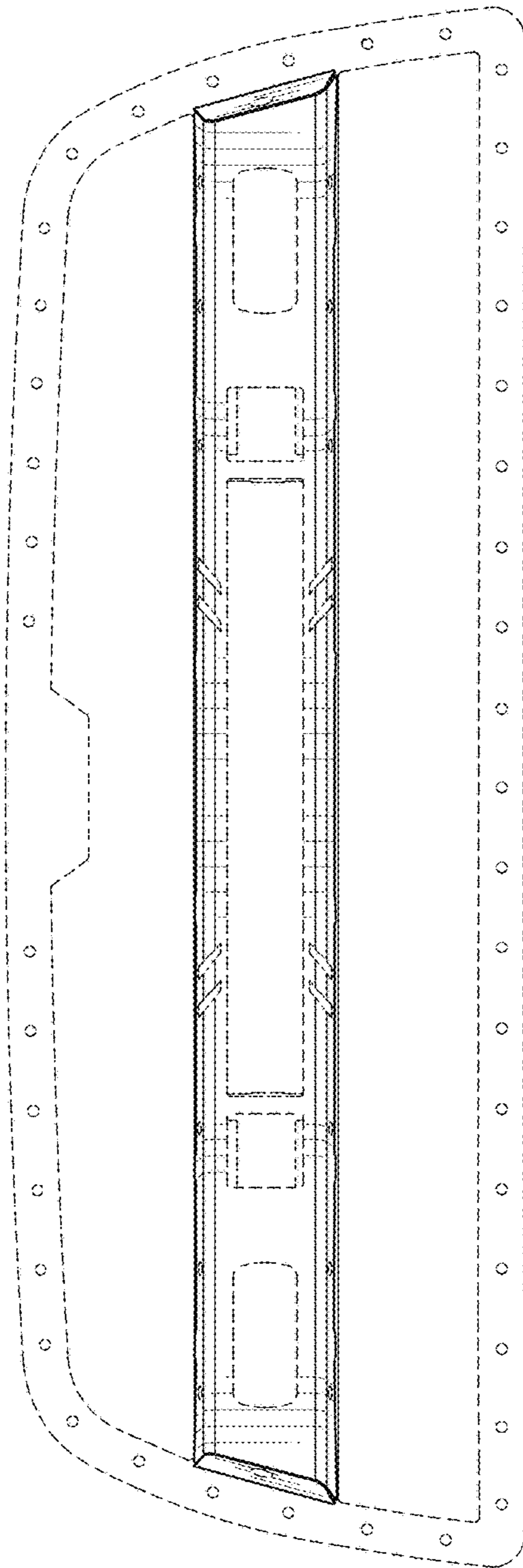


Fig-3

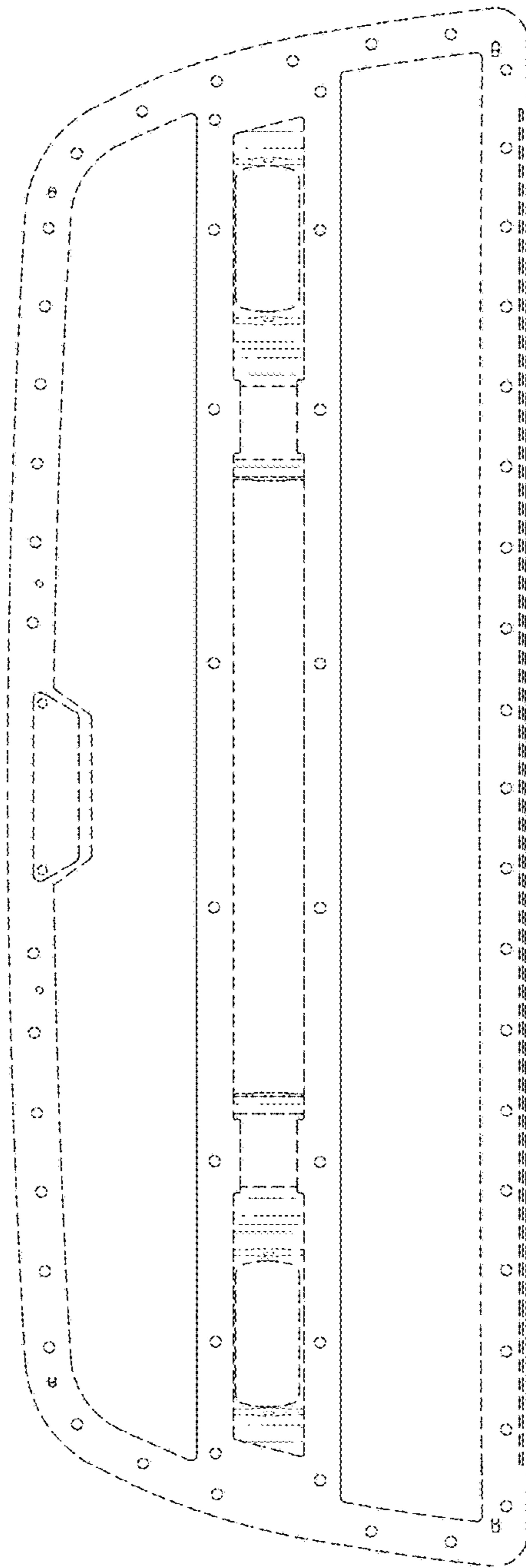


Fig-4

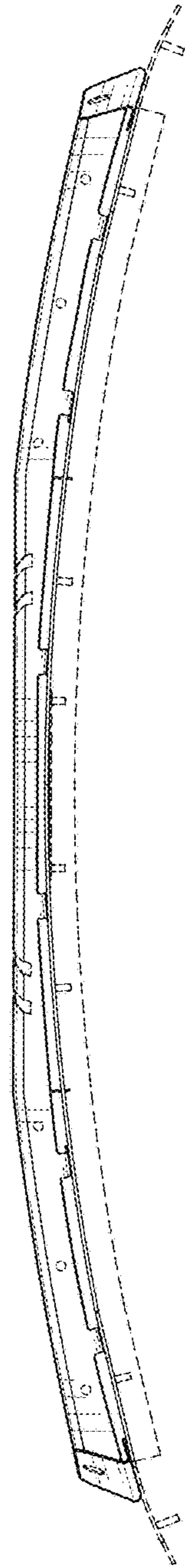


Fig-5

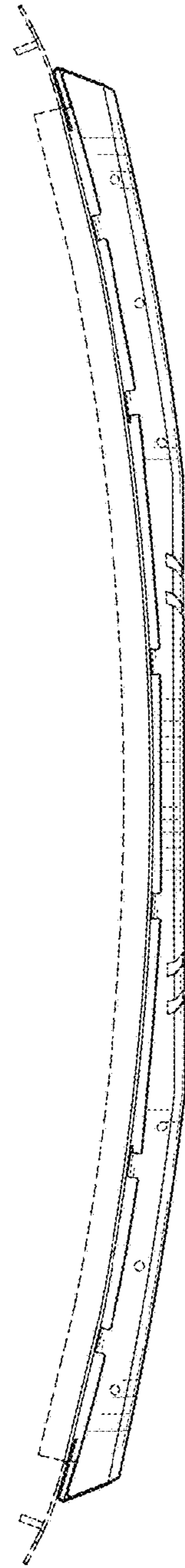


Fig-6

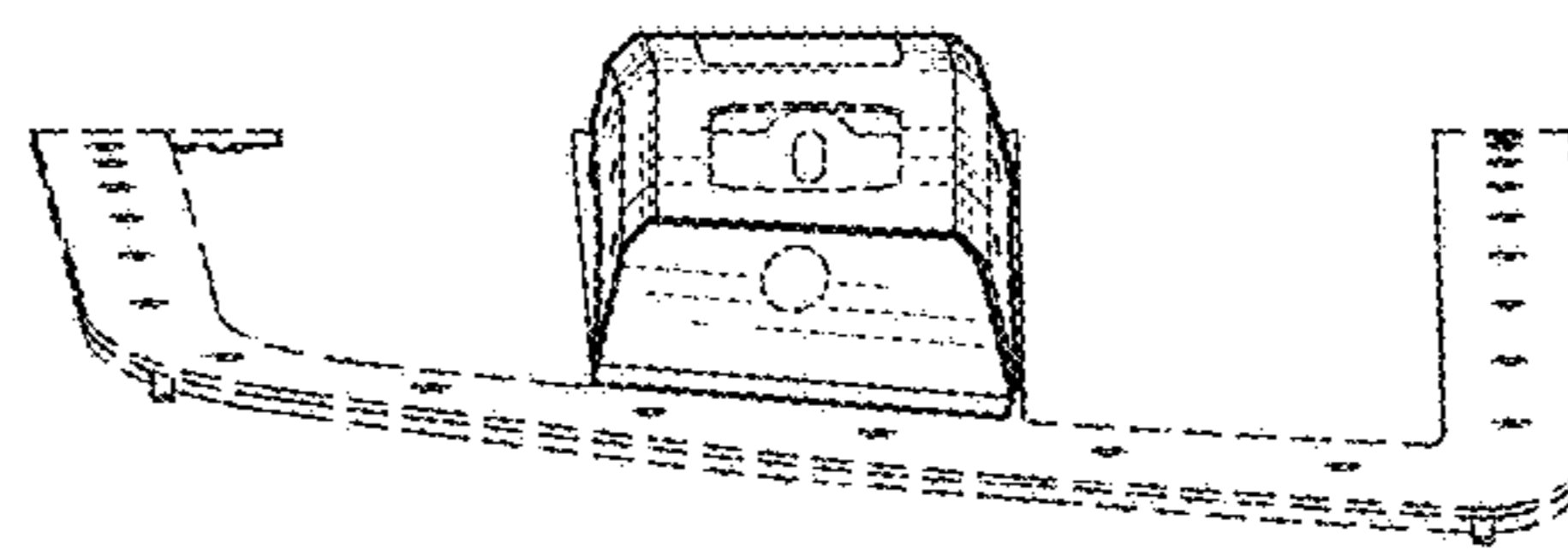


Fig-8

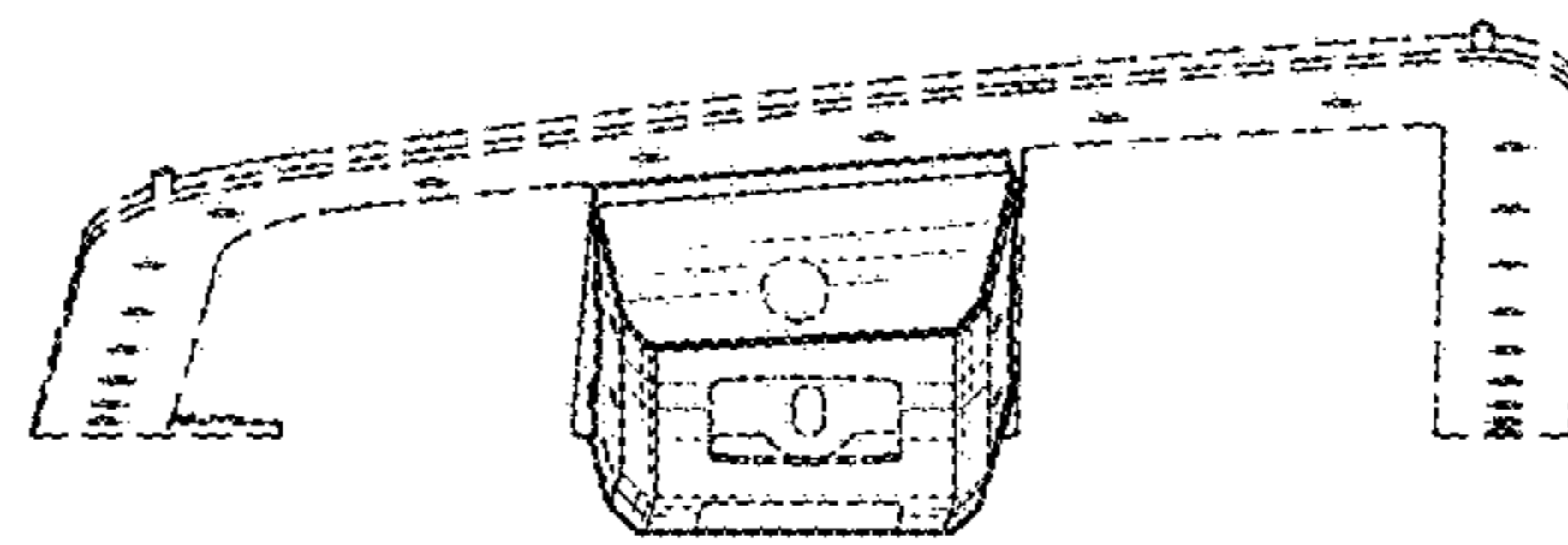


Fig-7