



US00D853286S

(12) **United States Design Patent**
Imai

(10) **Patent No.:** **US D853,286 S**
(45) **Date of Patent:** **** Jul. 9, 2019**

(54) **FRONT GRILL FOR AN AUTOMOBILE**

(71) Applicant: **Subaru Corporation**, Tokyo (JP)

(72) Inventor: **Shinichi Imai**, Tokyo (JP)

(73) Assignee: **Subaru Corporation**, Tokyo (JP)

(**) Term: **15 Years**

(21) Appl. No.: **29/617,279**

(22) Filed: **Sep. 13, 2017**

(30) **Foreign Application Priority Data**

Mar. 13, 2017 (JP) 2017-005055

(51) **LOC (11) Cl.** **12-16**

(52) **U.S. Cl.**
USPC **D12/163**

(58) **Field of Classification Search**
USPC D12/169, 196, 86, 90-92, 163; 293/102,
293/113, 115, 117, 120, 193.11;
296/180.1, 180.2; 180/68.1, 68.6
CPC B60R 19/52; B60K 11/08; B62D 25/08;
B62B 9/16
See application file for complete search history.

(56) **References Cited**

U.S. PATENT DOCUMENTS

D715,705 S * 10/2014 Cambell D12/163
D725,004 S * 3/2015 Kobayashi D12/163

D735,623 S * 8/2015 Platto D12/163
D742,288 S * 11/2015 Murase D12/163
D780,645 S * 3/2017 Bucher D12/163
D829,617 S * 10/2018 Takamatsu D12/169
D829,618 S * 10/2018 Kamahara D12/169
D830,232 S * 10/2018 Tamiya D12/91
D830,908 S * 10/2018 Tamiya D12/91
D832,146 S * 10/2018 Metros D12/91
D835,001 S * 12/2018 Metros D12/91
D835,002 S * 12/2018 Metros D12/91

* cited by examiner

Primary Examiner — Melody N Brown
(74) *Attorney, Agent, or Firm* — Schiff Hardin LLP

(57) **CLAIM**

I claim the ornamental design for a front grill for an automobile, as shown and described.

DESCRIPTION

FIG. 1 is a front perspective view for a “front grill for an automobile” showing my new design,
FIG. 2 is a rear perspective view thereof,
FIG. 3 is a front view thereof,
FIG. 4 is a rear view thereof,
FIG. 5 is a top view thereof,
FIG. 6 is a bottom view thereof,
FIG. 7 is a left-side view thereof; and,
FIG. 8 is a right-side view thereof.

1 Claim, 8 Drawing Sheets

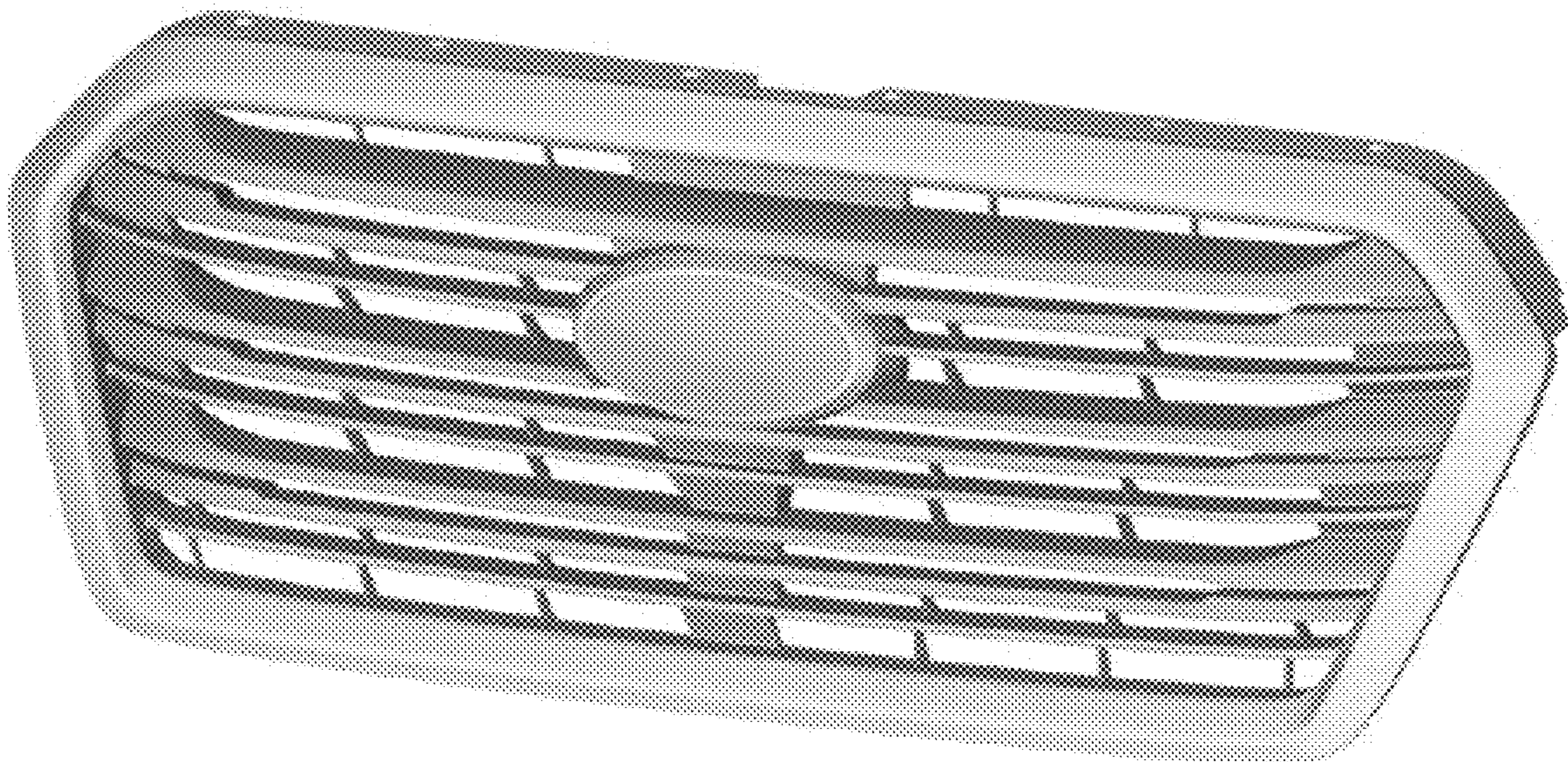


Fig. 1

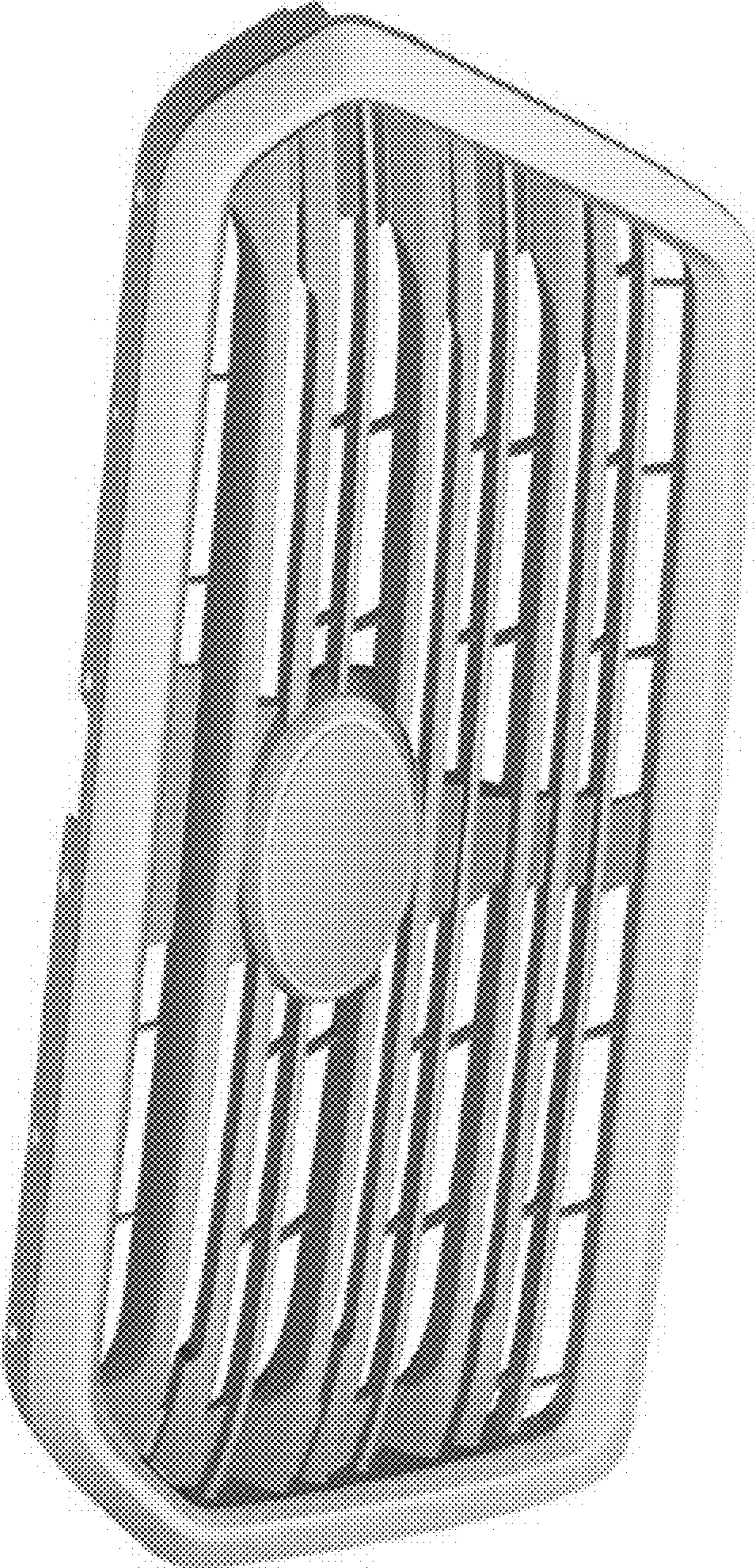


Fig. 2

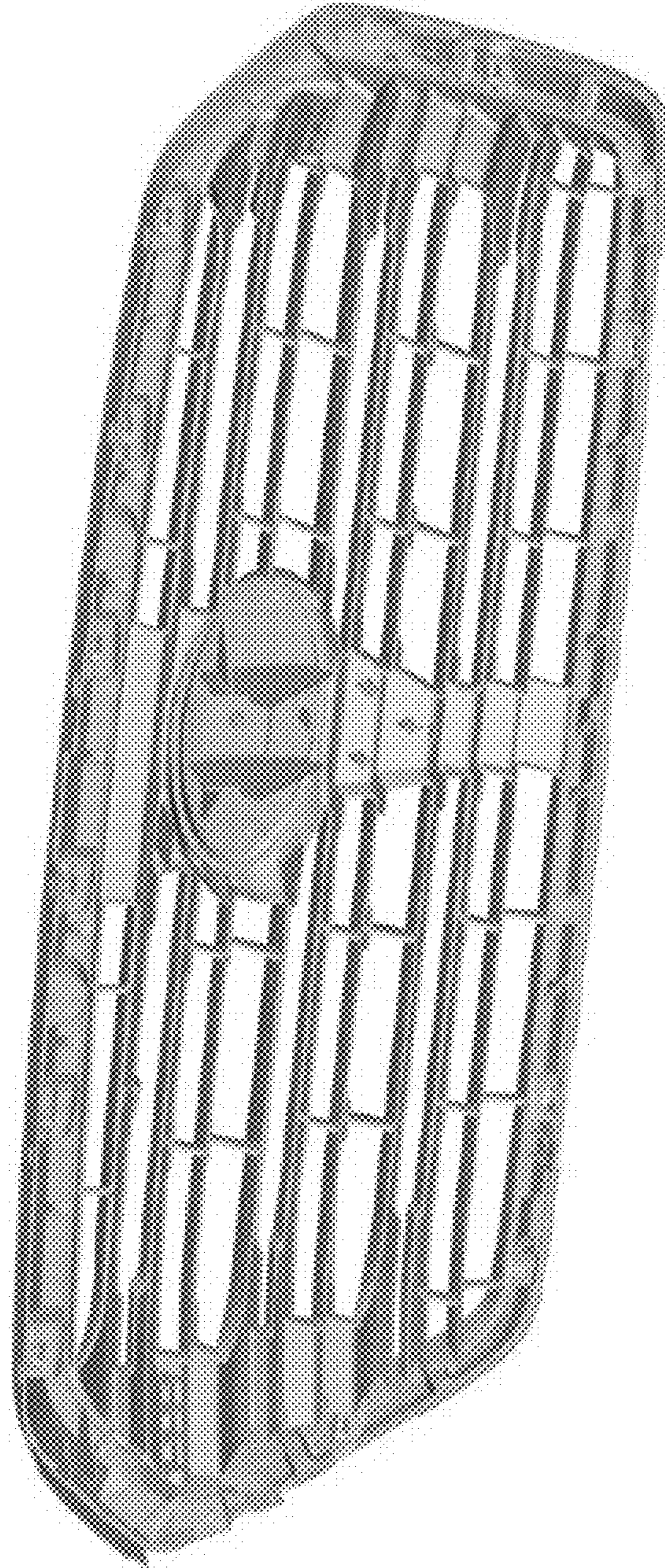


Fig. 3

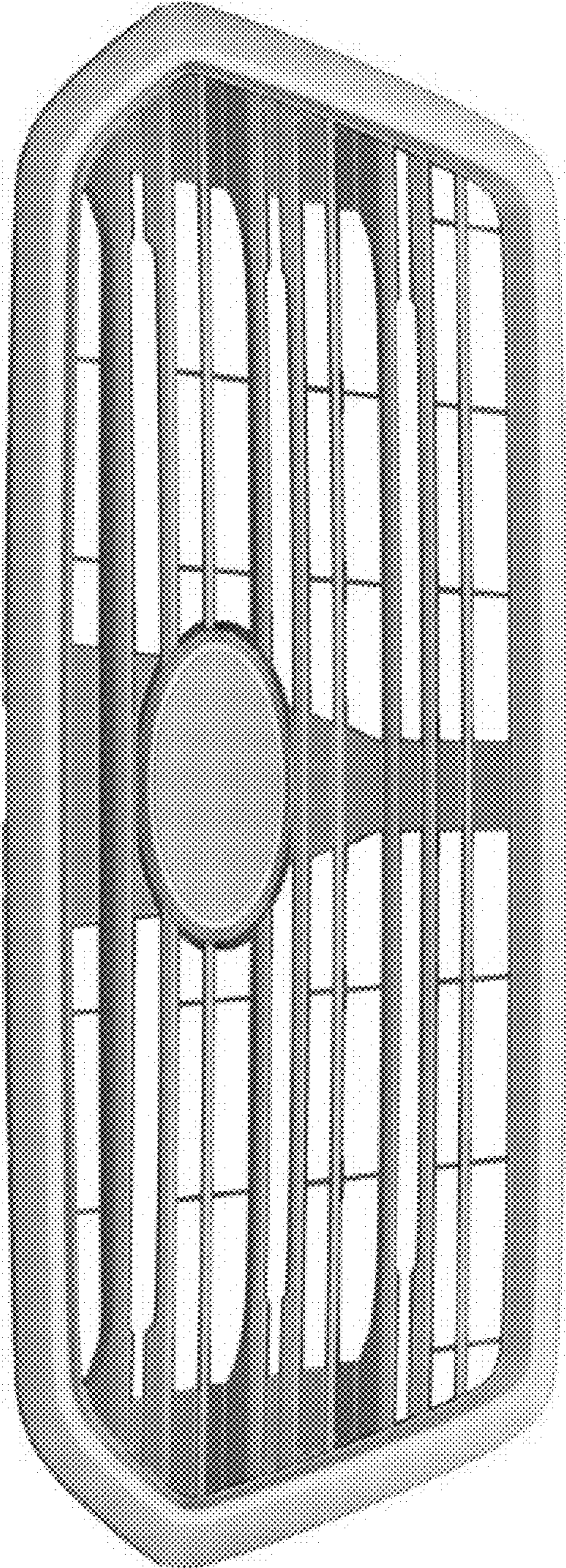


Fig. 4

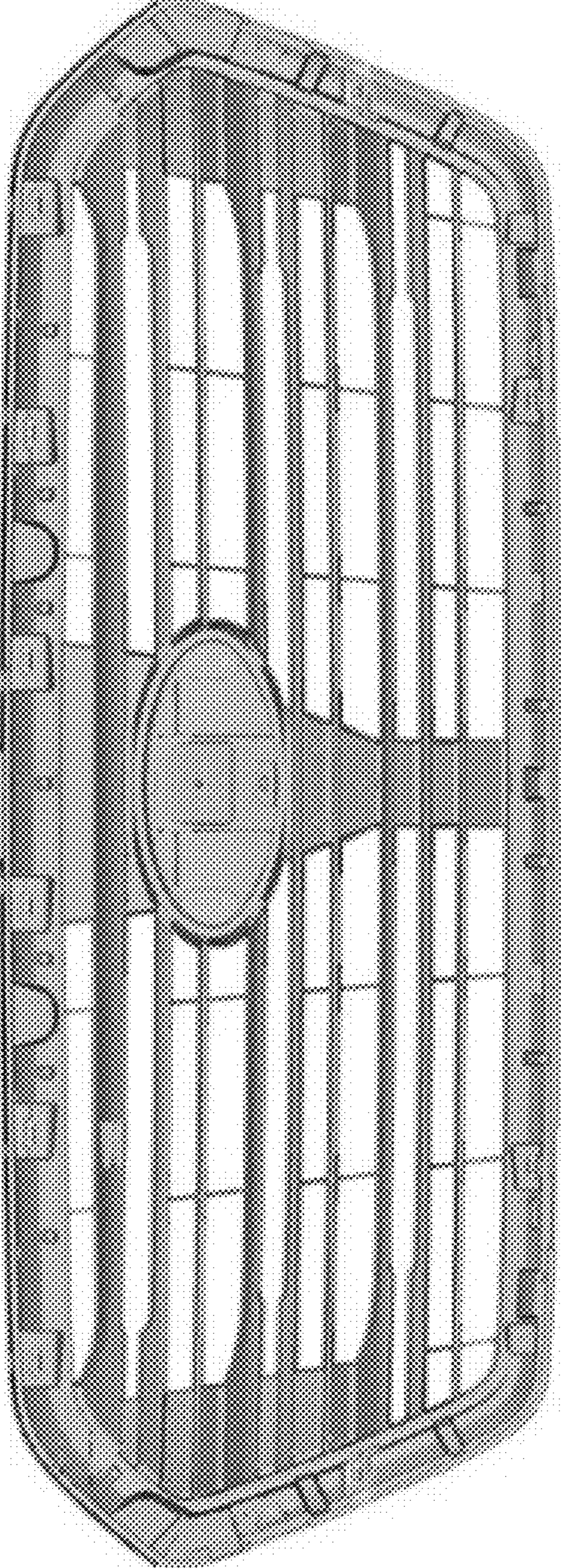


Fig. 5

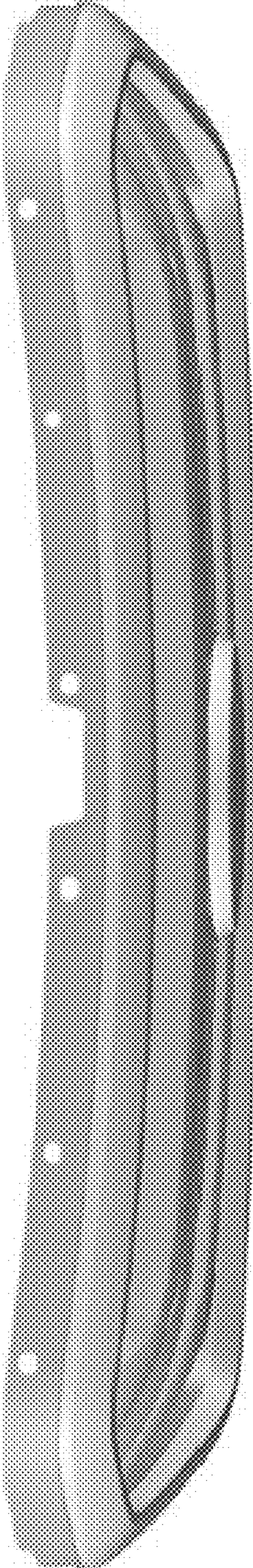


Fig. 6

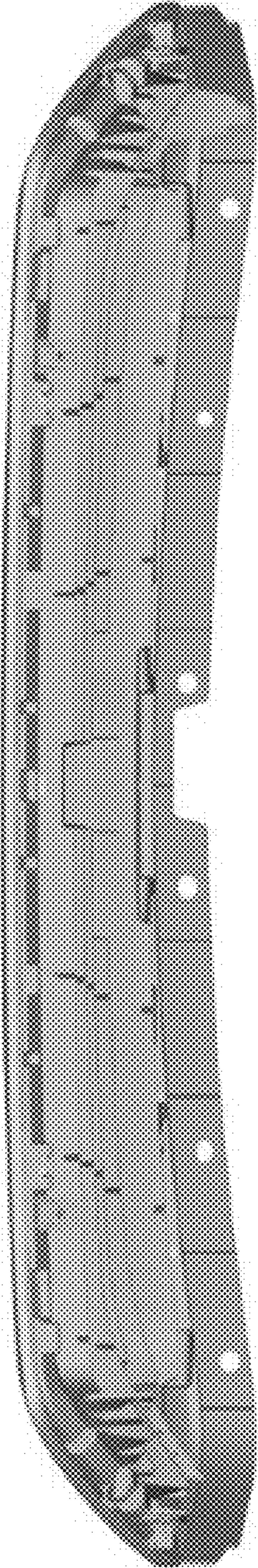


Fig. 7

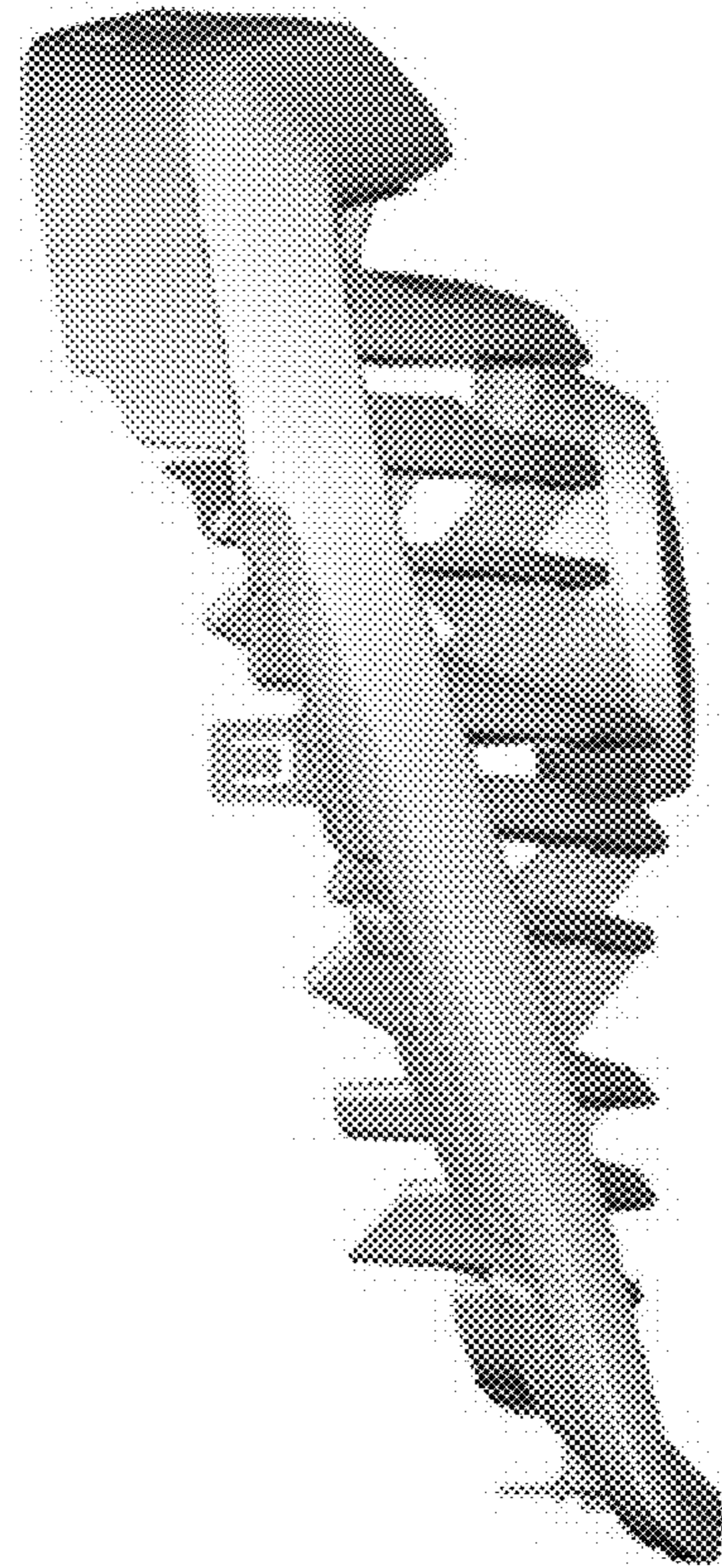


Fig. 8

