



US00D853284S

(12) **United States Design Patent**
Mercier et al.

(10) **Patent No.:** **US D853,284 S**
(45) **Date of Patent:** **** Jul. 9, 2019**

(54) **FIFTH WHEEL HITCH**

(71) Applicant: **HORIZON GLOBAL AMERICAS INC.**, Plymouth, MI (US)

(72) Inventors: **Gregoire Mercier**, Plymouth, MI (US);
Russell Brzezinski, Berkley, MI (US);
Tom Stalder, Plymouth, MI (US);
Brad Larsh, Plymouth, MI (US); **Mark Scruggs**, Walled Lake, MI (US);
Timothy S. Arrick, Plymouth, MI (US); **Curt Nowack**, Plymouth, MI (US)

(73) Assignee: **HORIZON GLOBAL AMERICAS INC.**, Plymouth, MI (US)

(**) Term: **15 Years**

(21) Appl. No.: **29/612,132**

(22) Filed: **Jul. 28, 2017**

(51) **LOC (11) Cl.** **12-16**

(52) **U.S. Cl.**
USPC **D12/161**

(58) **Field of Classification Search**
USPC D12/161
CPC B62D 53/08; B62D 53/0842
See application file for complete search history.

(56) **References Cited**

U.S. PATENT DOCUMENTS

1,958,723 A	5/1934	Spencer
1,996,162 A	4/1935	Lubbers
2,027,990 A	1/1936	Lubbers
2,041,124 A	5/1936	Francis
2,289,079 A	7/1942	Seyferth
2,507,616 A	5/1950	Stephen
2,513,117 A	6/1950	Stephen
2,543,749 A	3/1951	Walther

(Continued)

FOREIGN PATENT DOCUMENTS

DE 2121876 4/1971
EP 0038928 B1 4/1981

(Continued)

OTHER PUBLICATIONS

Cequent Towing Products, Inc., Installation Instructions Mounting Kit Ford F250/F350/F450 LD/HD/SD 6' & 8' Beds, Dec. 13, 2006, pp. 1-11, Litho in USA.

(Continued)

Primary Examiner — Michael A. Pratt

(74) *Attorney, Agent, or Firm* — McDonald Hopkins LLC

(57) **CLAIM**

The ornamental design of a fifth wheel hitch, as shown and described.

DESCRIPTION

FIG. 1 is a perspective view of a fifth wheel hitch showing my new design;

FIG. 2 is a rear view thereof;

FIG. 3 is a front view thereof;

FIG. 4 is a first side view thereof;

FIG. 5 is a second side view thereof;

FIG. 6 is a top view thereof;

FIG. 7 is a bottom view thereof;

FIG. 8 is a perspective view of a second embodiment of a fifth wheel hitch showing my new design;

FIG. 9 is a rear view thereof;

FIG. 10 is a front view thereof;

FIG. 11 is a first side view thereof;

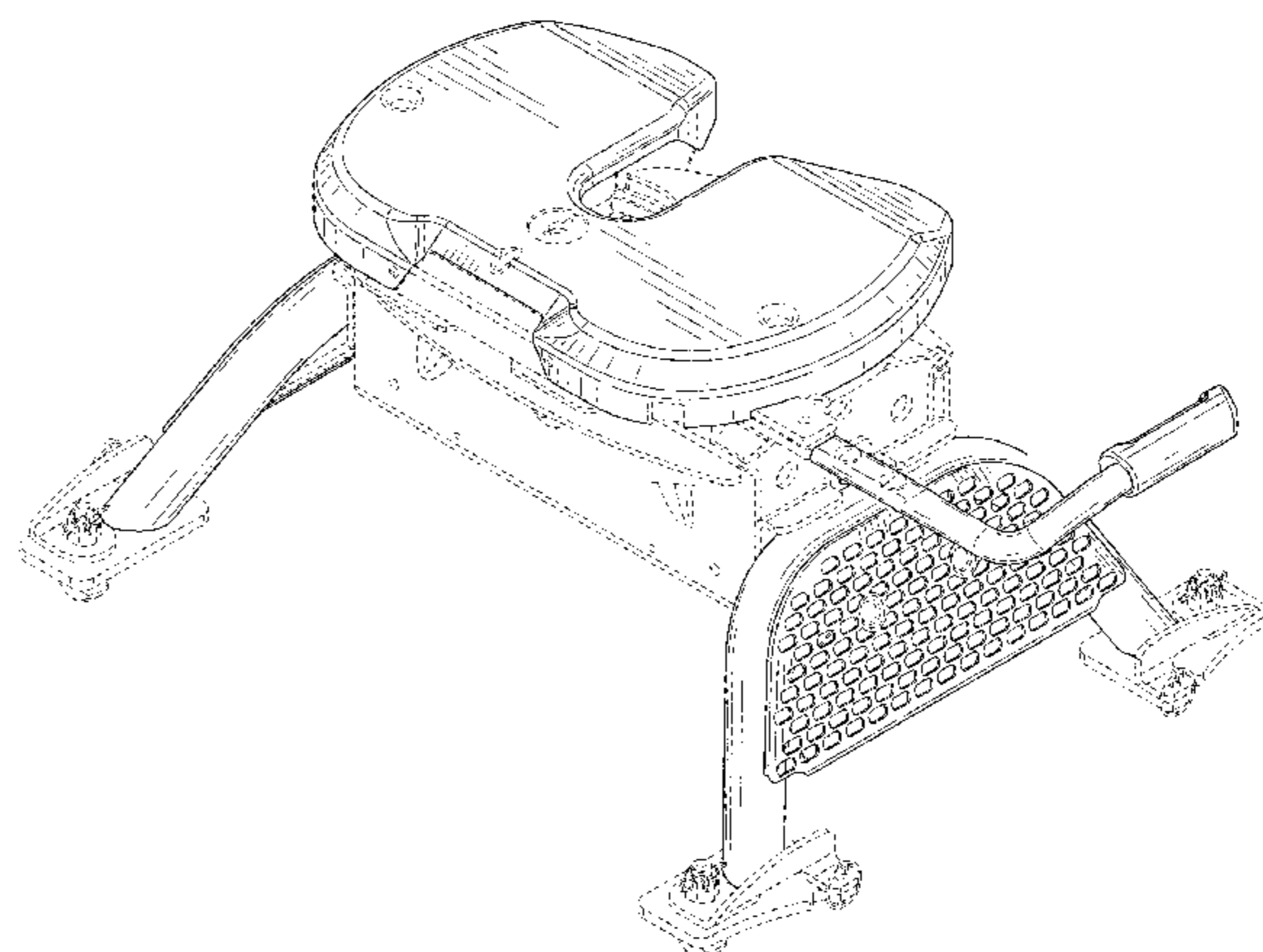
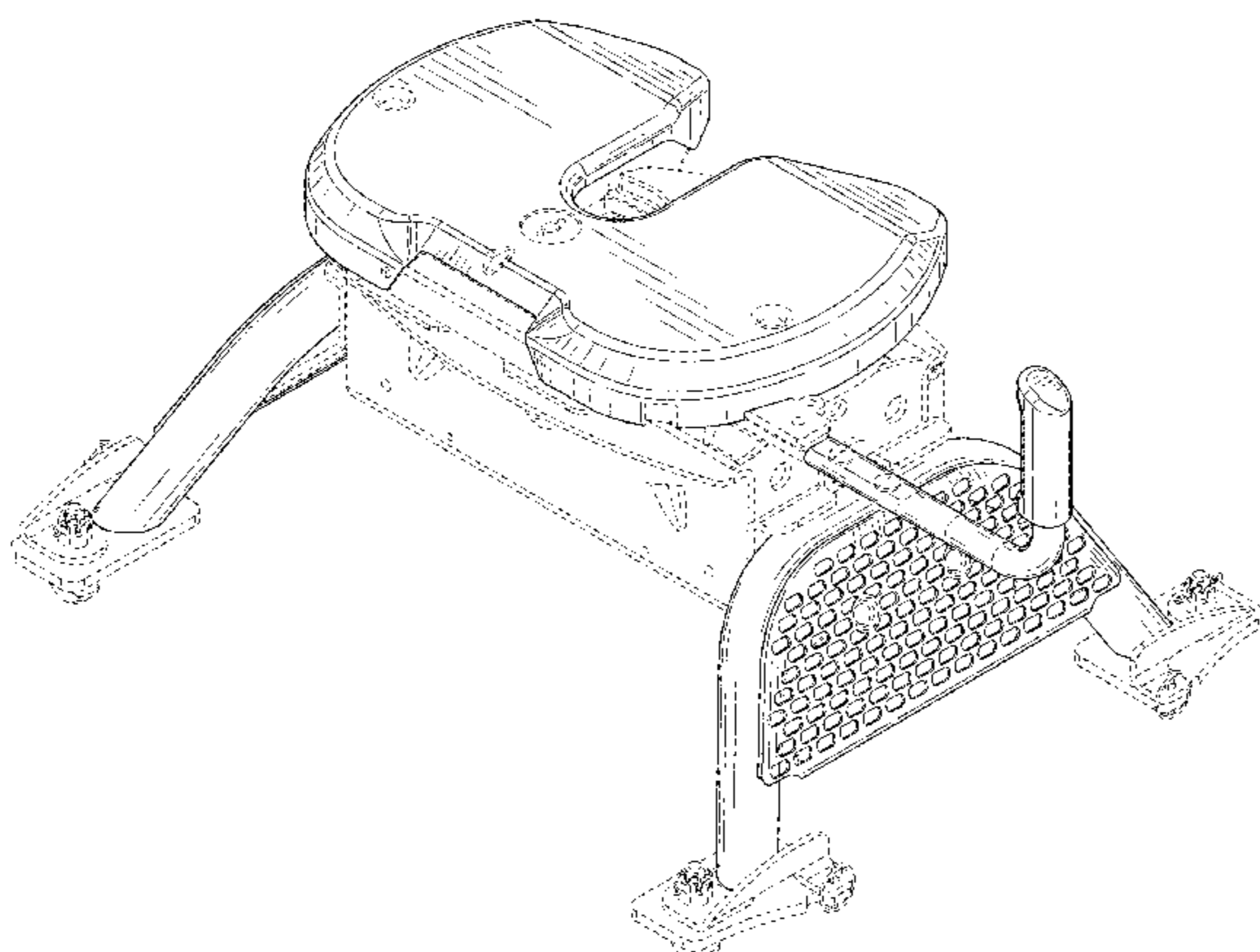
FIG. 12 is a second side view thereof;

FIG. 13 is a top view thereof; and,

FIG. 14 is a bottom view thereof.

The features shown in broken lines in the drawing figures are for the purpose of illustrating portions of the fifth wheel hitch and form no part of the claimed design.

1 Claim, 14 Drawing Sheets



(56)

References Cited

U.S. PATENT DOCUMENTS

2,610,069 A 9/1952 Ketel
 2,621,056 A 12/1952 Kayler
 2,680,627 A 6/1954 Johnson et al.
 2,749,144 A 6/1956 Kayler
 2,778,657 A 1/1957 Chaplin
 2,779,605 A 1/1957 Braunberger
 2,799,516 A 7/1957 Greenway
 2,809,851 A 10/1957 Beck
 2,819,096 A 1/1958 Sencenich
 2,856,203 A 10/1958 Kayler
 2,860,891 A 11/1958 Ramun
 2,900,194 A 8/1959 De Lay
 2,925,286 A 2/1960 Hodges, Jr. et al.
 2,977,137 A 3/1961 Durham
 2,985,463 A 5/1961 Geerds
 3,073,624 A 1/1963 Thomas
 3,112,936 A 12/1963 Cole et al.
 3,170,716 A 2/1965 Walther et al.
 3,171,672 A 3/1965 Dalton
 3,198,549 A 8/1965 Martin
 3,220,750 A 11/1965 Mead
 3,318,616 A 5/1967 Fontaine et al.
 3,336,051 A 8/1967 Dale
 3,402,944 A 9/1968 Day
 3,584,899 A 6/1971 Gottler et al.
 3,595,125 A 7/1971 Jacobs
 3,606,384 A 9/1971 Fontaine et al.
 3,630,545 A 12/1971 Fontaine et al.
 3,640,549 A 2/1972 Neff et al.
 3,746,369 A 7/1973 Neff et al.
 3,844,584 A 10/1974 Fontaine
 3,847,414 A 11/1974 Madura
 3,861,709 A 1/1975 Mulcahy et al.
 3,888,514 A 6/1975 Klein
 3,893,710 A 7/1975 Madura
 3,941,407 A 3/1976 Breford
 4,017,095 A 4/1977 Best
 4,029,335 A 6/1977 Cady et al.
 4,039,087 A 8/1977 Sandvick, Sr.
 4,134,601 A 1/1979 Propst
 4,429,892 A 2/1984 Frampton et al.
 4,477,100 A 10/1984 Elyakim
 4,505,344 A 3/1985 Hobbs et al.
 4,531,774 A 7/1985 Whatley
 4,614,355 A 9/1986 Koch
 4,721,323 A 1/1988 Czuk et al.
 4,856,804 A 8/1989 Nash
 4,892,324 A 1/1990 Spencer et al.
 4,921,266 A 5/1990 Beals
 4,928,987 A 5/1990 Hunger
 4,946,183 A 8/1990 Benson et al.
 4,960,288 A 10/1990 Chambers
 4,962,945 A 10/1990 Vannoy et al.
 5,044,651 A 9/1991 Weikel
 5,120,080 A 6/1992 Ritter
 5,141,277 A 8/1992 Alexander
 5,246,244 A 9/1993 Colibert
 5,306,037 A 4/1994 Robertson
 D362,224 S 9/1995 McCoy et al.
 5,449,191 A 9/1995 Cattau
 5,509,682 A 4/1996 Lindenman et al.
 5,516,137 A 5/1996 Kass et al.
 5,529,329 A 6/1996 McCoy
 D376,751 S 12/1996 Hanson et al.
 5,580,073 A 12/1996 Irwin et al.
 D378,077 S 2/1997 Lindenman et al.
 5,707,070 A 1/1998 Lindenman et al.
 5,738,471 A 4/1998 Zentner et al.
 5,772,229 A 6/1998 Cattau
 5,839,745 A 11/1998 Cattau et al.
 5,971,418 A 10/1999 Lindenman et al.
 6,065,766 A 5/2000 Pulliam
 6,170,850 B1 1/2001 Works
 6,179,316 B1 1/2001 Sibley, Jr.
 6,199,889 B1 3/2001 Golembiewski et al.

6,467,791 B1 10/2002 Fandrich et al.
 6,502,846 B2 1/2003 Fandrich et al.
 6,520,528 B2 2/2003 Fandrich et al.
 6,523,841 B2 2/2003 Glaser
 6,533,308 B1 3/2003 Tambormino
 6,758,921 B1 7/2004 Struebel
 6,824,157 B1 11/2004 Putnam
 6,851,695 B2 2/2005 Lindenman et al.
 6,969,090 B1 11/2005 Works
 7,121,573 B2 10/2006 Lindenman et al.
 7,140,632 B2* 11/2006 Alguera B62D 53/10
 280/433
 D538,205 S * 3/2007 Roth-Schuler D12/161
 7,264,259 B2* 9/2007 Lindenman B62D 53/08
 280/438.1
 D560,143 S * 1/2008 Crawley D12/161
 7,413,390 B1 8/2008 Allison et al.
 D576,923 S * 9/2008 Dupay D12/161
 7,753,390 B1 7/2010 Mann
 7,775,541 B2 8/2010 Linger et al.
 7,793,968 B1 9/2010 Withers
 7,828,317 B2 11/2010 Withers et al.
 D670,212 S * 11/2012 Stanifer D12/161
 8,414,009 B2 4/2013 Stanifer
 9,067,468 B2 6/2015 Stanifer et al.
 2003/0015855 A1 1/2003 McCoy et al.
 2003/0038452 A1 2/2003 Lindenman et al.
 2003/0209878 A1 11/2003 Lindenman et al.
 2003/0209879 A1 11/2003 Lindenman et al.
 2008/0164677 A1* 7/2008 Huntimer B62D 53/0885
 280/433
 2009/0295122 A1 12/2009 Withers et al.
 2010/0109285 A1 5/2010 Stanifer et al.
 2010/0244406 A1* 9/2010 Hicks B60G 7/02
 280/433
 2012/0018978 A1* 1/2012 McCoy B62D 53/08
 280/436
 2013/0193671 A1 8/2013 Mccoy
 2014/0035257 A1 2/2014 Van Der

FOREIGN PATENT DOCUMENTS

EP 1078785 A2 2/2001
 EP 1036679 B1 8/2004
 WO WO2009030026 A1 3/2009

OTHER PUBLICATIONS

Cequent Performance Products, Installation Instructions Gooseneck Mounting Kit Chevrolet/GMC 2500/3500 Heavy Duty Short & Long Bed, (Part No. 4456), Apr. 11, 2011, pp. 1-8.
 Instruction Sheet No. 63102N, Make/Model(s) Hide-A-Goose, Mar. 26, 2007, 4 pages.
 Instruction Sheet No. 50117N, Make/Model(s) Dodge Pick-Ups, 2003-UP 2500, 3500 All Models, Mar. 22, 2007, 3 pages.
 Cequent Towing Products, Inc., Operating Instructions Signature Series 5th Wheel Slider Hitch, pp. 1-12, Jan. 23, 2004, Litho in USA.
 Cequent Towing Products, Inc., Installation Instructions Mounting Kit GM '99-'07 "Classic" 1500 (LD/HD) and 2500 5'8" & 6'6" Beds Only, Aug. 29, 2008, 10 pages, Litho in USA.
 Cequent Towing Products, Inc., Installation Instructions Mounting Kit Ford 2004—Current F150 5.5', 6' and 8' Beds, 11 pages, Aug. 21, 2008, Litho in USA.
 Cequent Towing Products, Inc., Assembly Instructions Signature Series 24K 5th Wheel Hitch, pp. 1-11, Jan. 28, 2004, Litho in USA.
 Draw-Tite Catalog 2004, 7 pages.
 Draw-Tite Catalog 2005, 7 pages.
 Draw-Tite Catalog 2006, 5 pages.
 Draw-Tite Catalog, 2007, 6 pages.
 Draw-Tite Catalog, 2008, 3 pages.
 Reese Catalog, 2004, 8 pages.
 Reese Catalog, 2005, 9 pages.
 Reese Catalog, 2006, 6 pages.
 Reese Catalog, 2007, 7 pages.

(56)

References Cited

OTHER PUBLICATIONS

Reese Catalog, 2008, 5 pages.

Cequent Towing Products, Inc., Operating Instructions Signature Series 5th Wheel Slider Hitch, pp. 1-12, Dec. 13, 2004, Litho in USA.

Cequent Towing Products, Inc., Assembly Instructions Signature Series 5th Wheel Slider Hitch, pp. 1-16, Jan. 23, 2004, Litho in USA.

Cequent Towing Products, Inc., Assembly Instructions Signature Series 5th Wheel Slider Hitch, pp. 1-16, Jan. 5, 2004, Litho in USA.

Cequent Towing Products, Inc., Assembly Instructions Signature Series 16K 5th Wheel Hitch, pp. 1-11, Jan. 5, 2004, Litho in USA.

Cequent Towing Products, Inc., Assembly Instructions Signature Series 24K 5th Wheel Hitch, pp. 1-11, Dec. 13, 2004, Litho in USA.

Cequent Towing Products, Inc., Operating Instructions Signature Series 16K 5th Wheel Hitch, pp. 1-9, Dec. 14, 2004, Litho in USA.

Cequent Towing Products, Inc., Assembly Instructions Signature Series Gooseneck, pp. 1-14, Oct. 13, 2006, Litho in USA.

Cequent Towing Products, Inc., Assembly Instructions Signature Series 24K 5th Wheel Hitch, pp. 1-11, Jun. 15, 2006, Litho in USA.

Cequent Towing Products, Inc., Assembly Instructions Signature Series 24K 5th Wheel Hitch, pp. 1-11, May 21, 2008, Litho in USA.

Cequent Towing Products, Inc., Assembly Instructions Signature Series 5th Wheel Slider Hitch, pp. 1-17, Jun. 2, 2004, Litho in USA.

Cequent Towing Products, Inc., Operating Instructions Signature Series 24K 5th Wheel Hitch, pp. 1-9, Mar. 15, 2005, Litho in USA.

Cequent Towing Products, Inc., Operating Instructions Signature Series 24K 5th Wheel Hitch, pp. 1-9, May 21, 2008, Litho in USA.

Cequent Towing Products, Inc., Operating Instructions Signature Series 24K 5th Wheel Hitch, pp. 1-9, Dec. 14, 2004, Litho in USA.

Cequent Towing Products, Inc., Operating Instructions Signature Series 24K 5th Wheel Hitch, pp. 1-9, Aug. 20, 2007, Litho in USA.

Cequent Towing Products, Inc., Assembly Instructions Signature Series 24K 5th Wheel Hitch, pp. 1-11, Jan. 6, 2006, Litho in USA.

Cequent Towing Products, Inc., Operating Instructions Signature Series 24K 5th Wheel Hitch, pp. 1-9, Jan. 28, 2004, Litho in USA.

Cequent Towing Products, Inc., Assembly Instructions Signature Series 5th Wheel Slider Hitch, pp. 1-17, Jan. 24, 2007, Litho in USA.

Cequent Towing Products, Inc., Operating Instructions Signature Series 5th Wheel Slider Hitch, pp. 1-12, Aug. 20, 2007, Litho in USA.

Cequent Towing Products, Inc., Operating Instructions Signature Series 5th Wheel Slider Hitch, pp. 1-12, Jan. 25, 2007, Litho in USA.

International Search Report for International App. No. PCT/US2011/063922 dated May 8, 2012.

International Searching Authority, European Patent Office, International Search Report for International App. No. PCT/US2017/029245 dated Sep. 22, 2017.

* cited by examiner

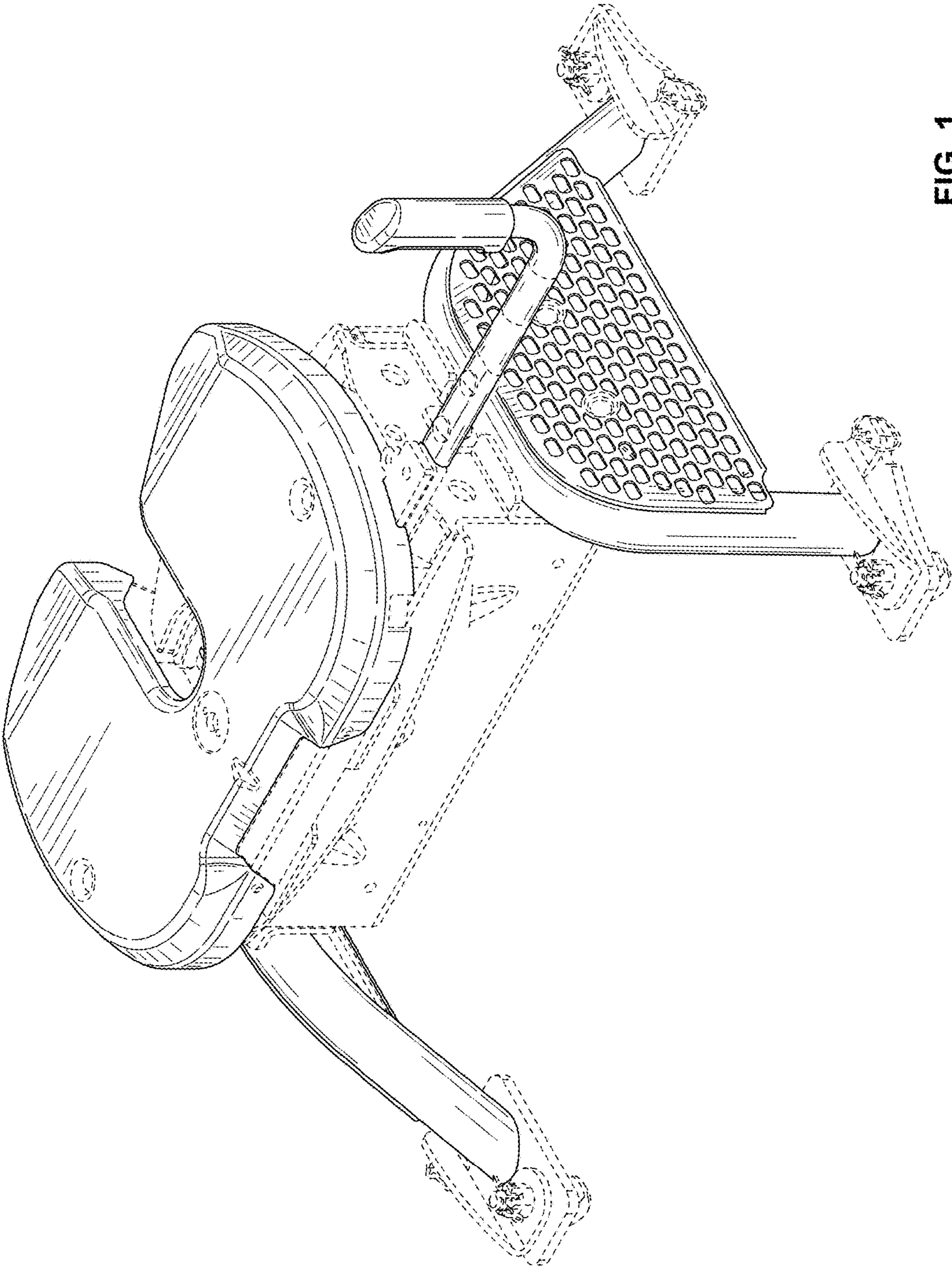


FIG. 1

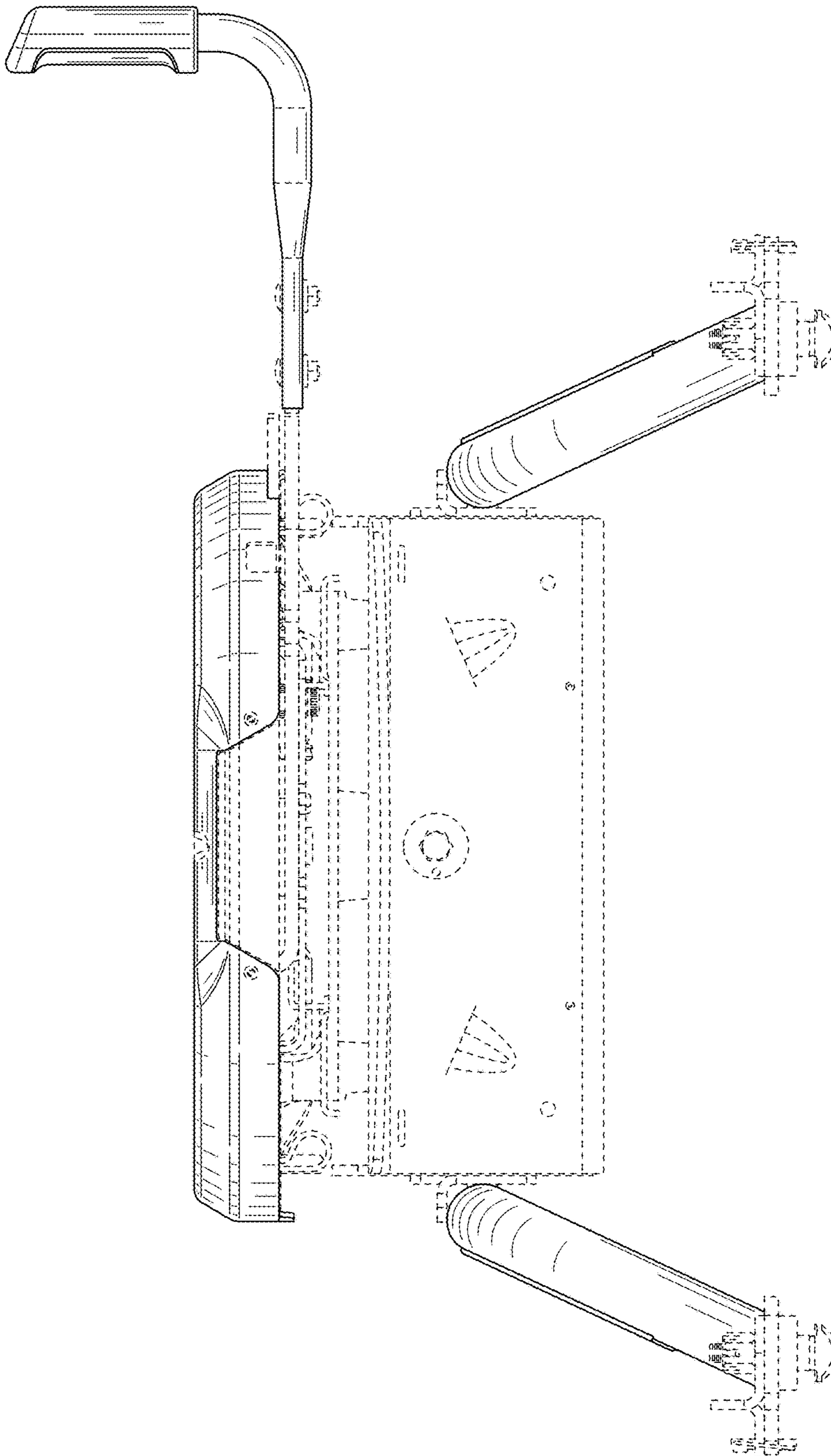


FIG. 2

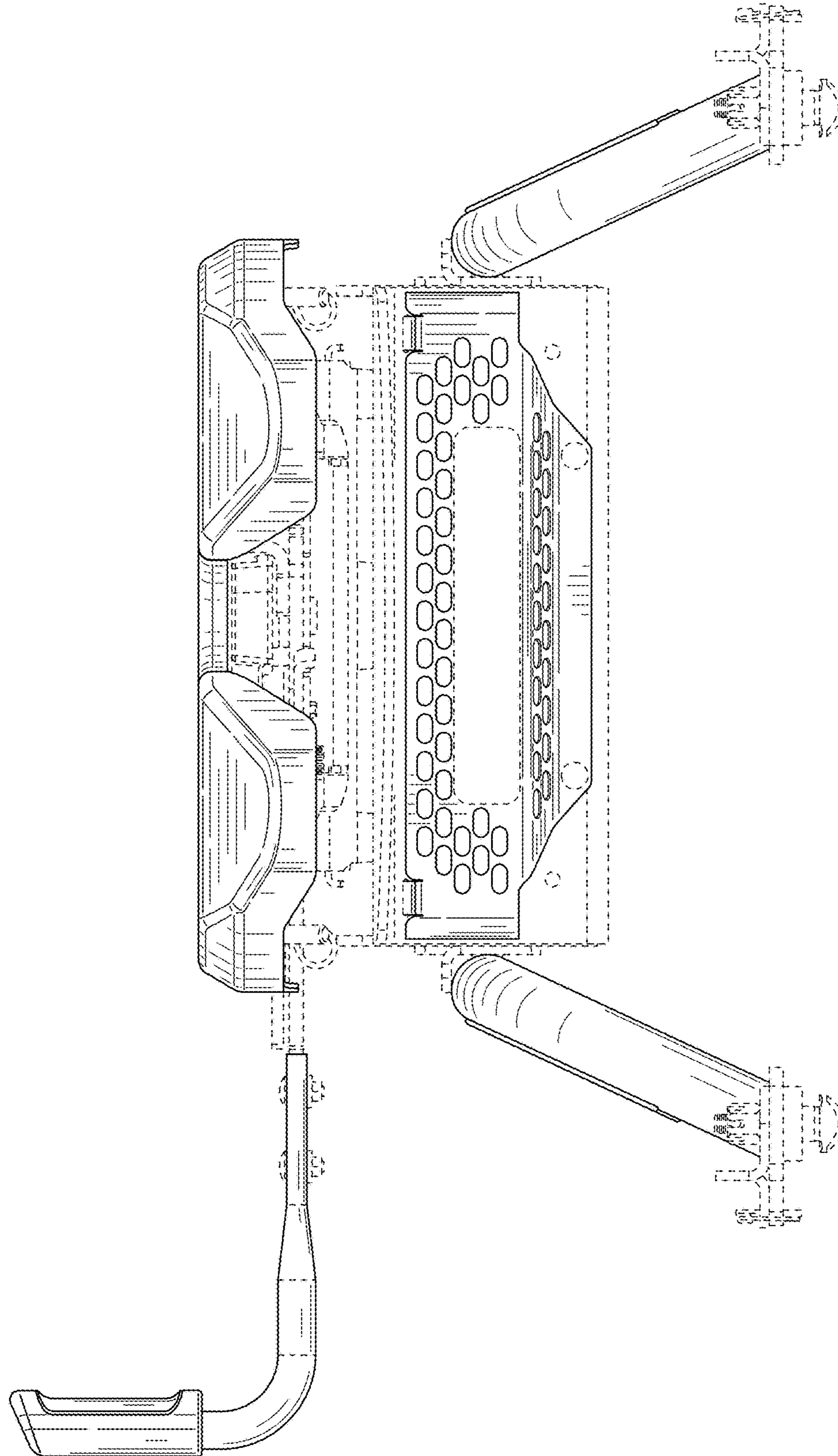


FIG. 3

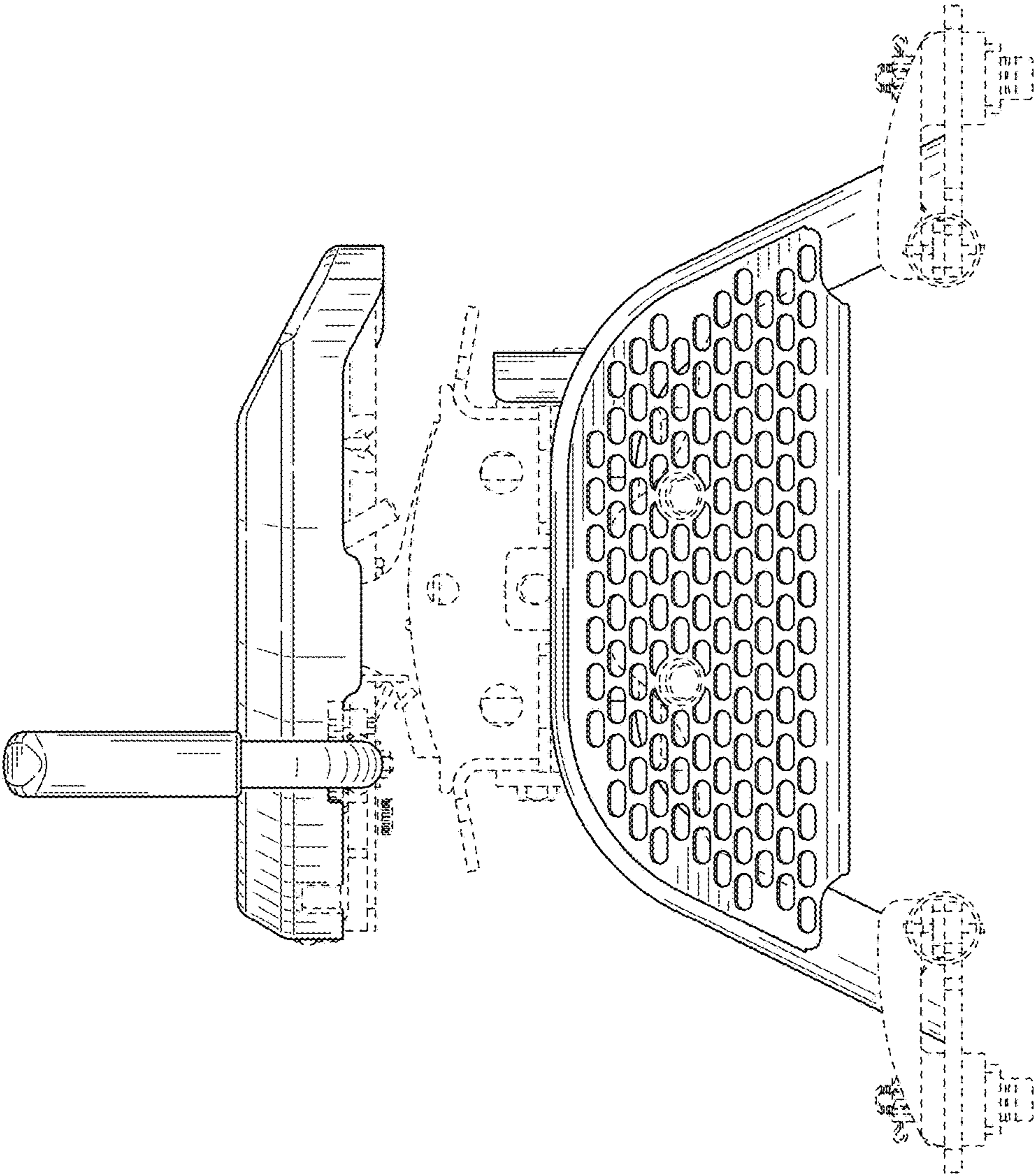


FIG. 4

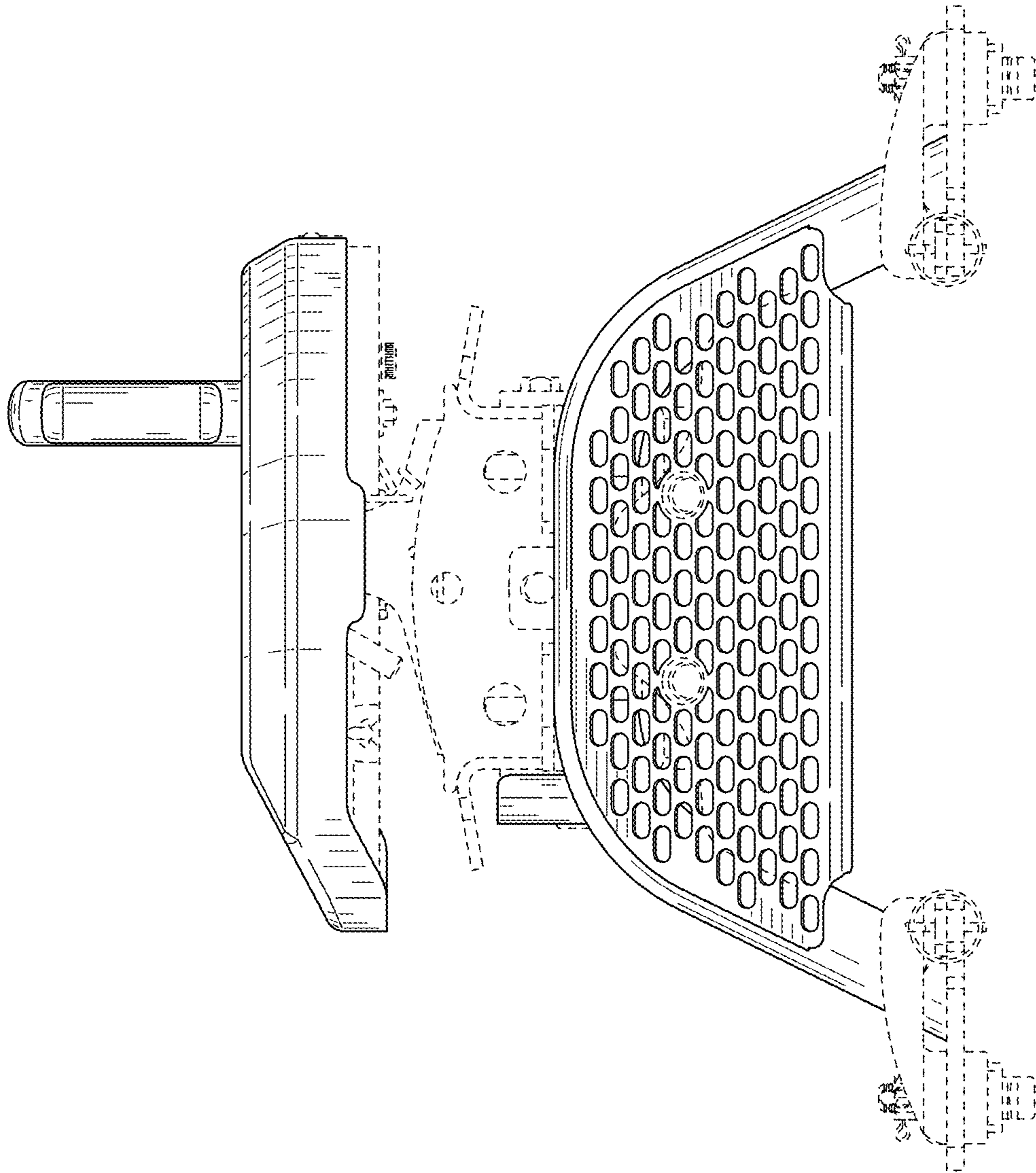


FIG. 5

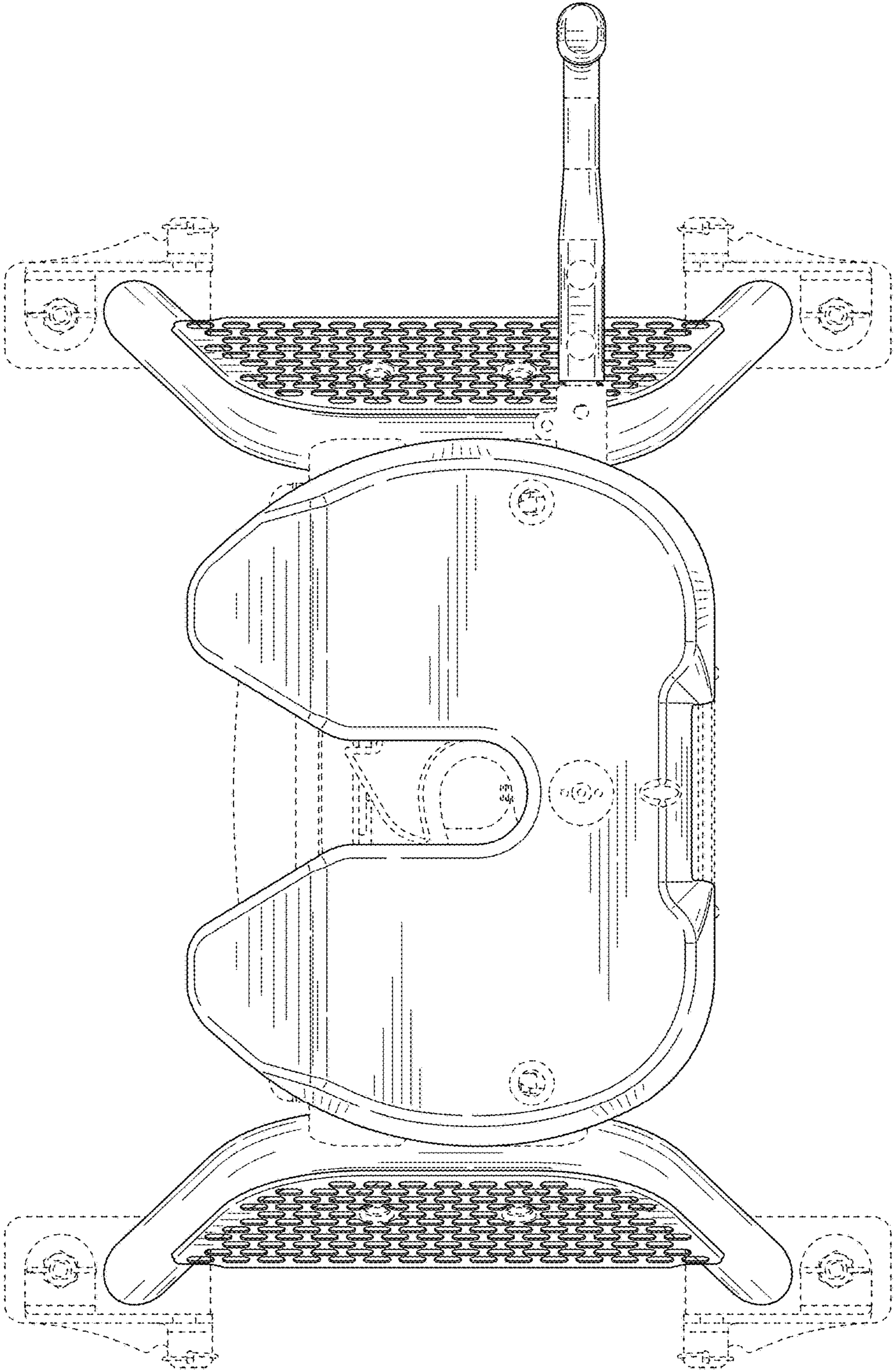


FIG. 6

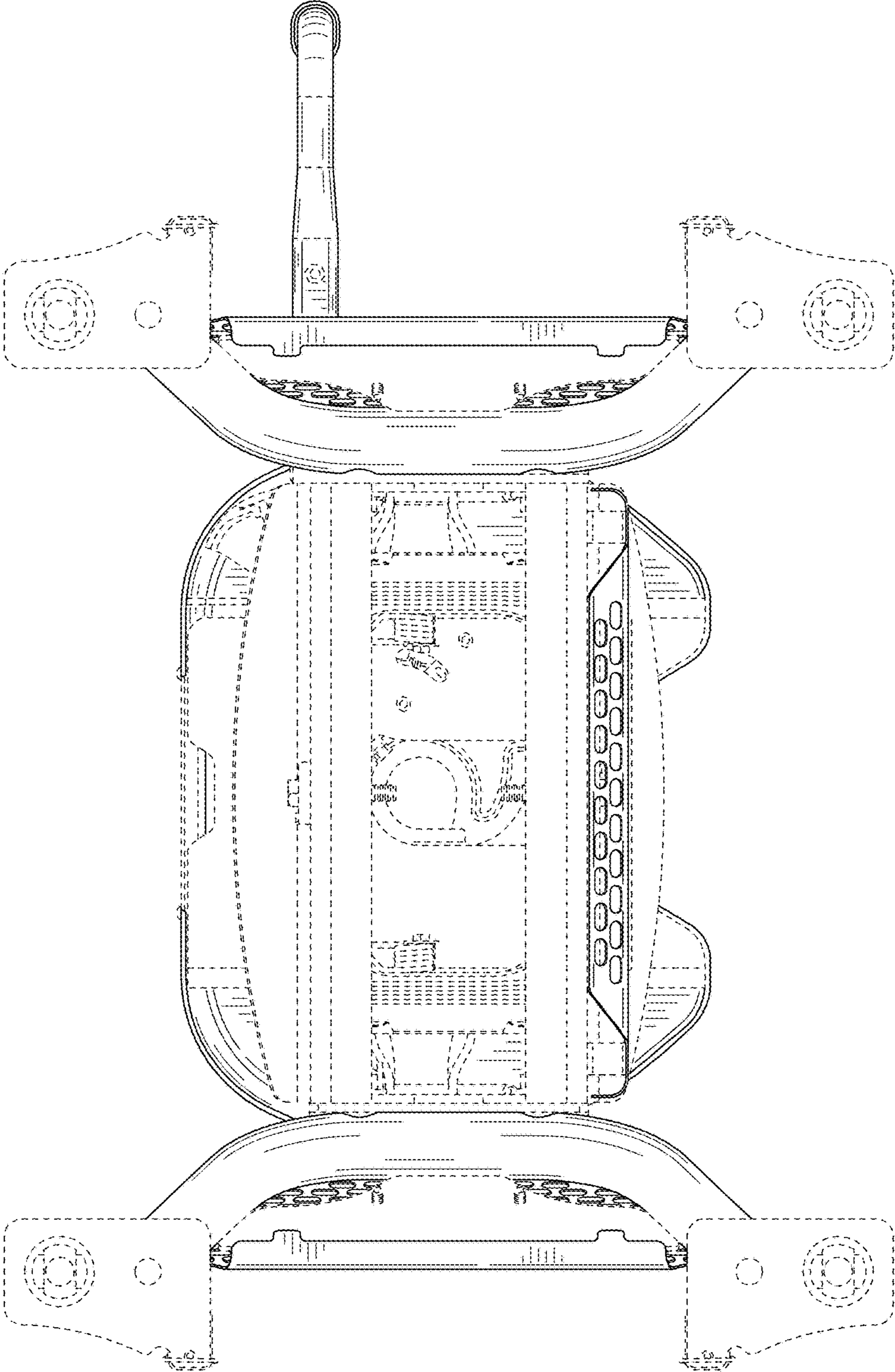


FIG. 7

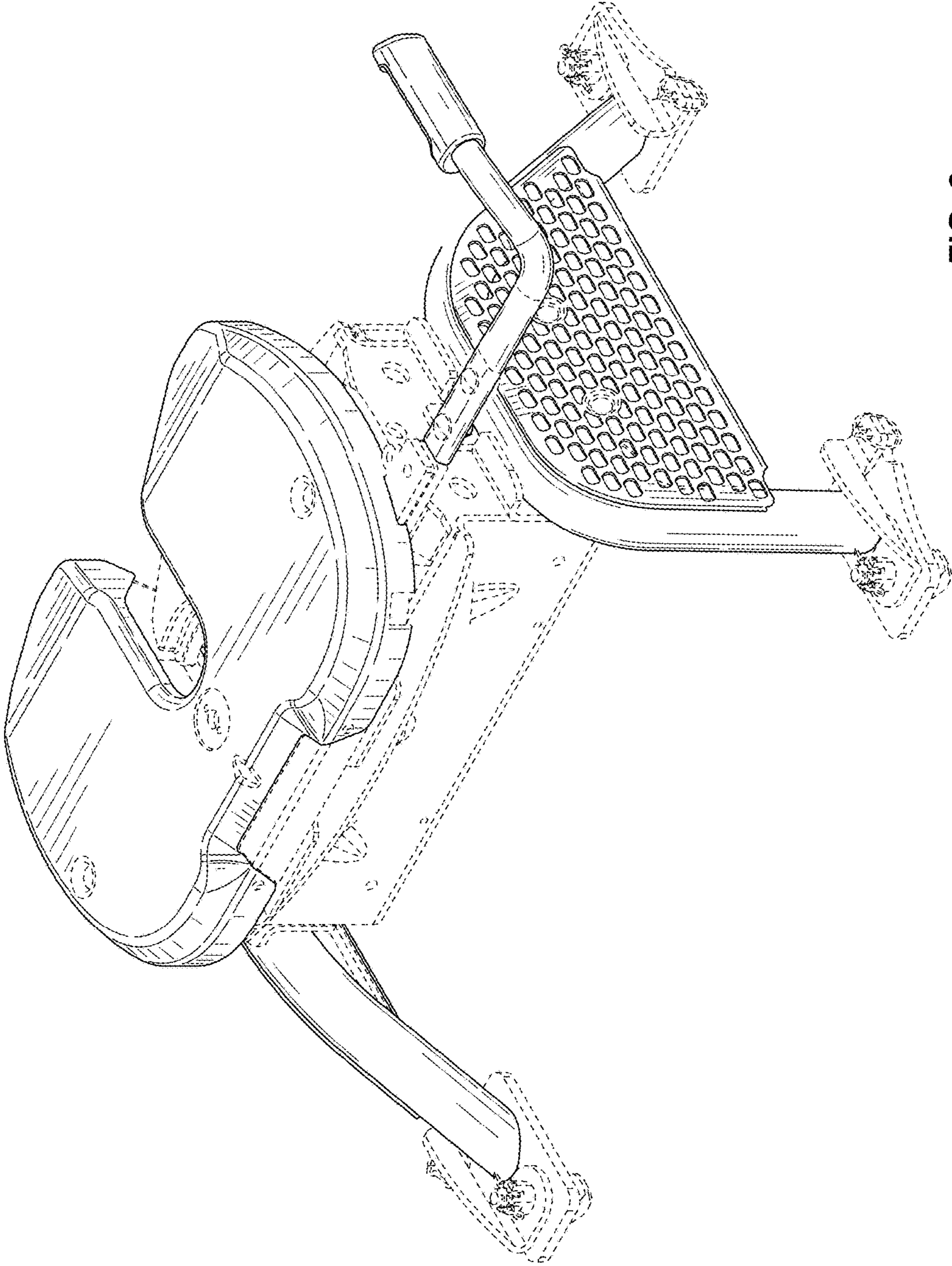


FIG. 8

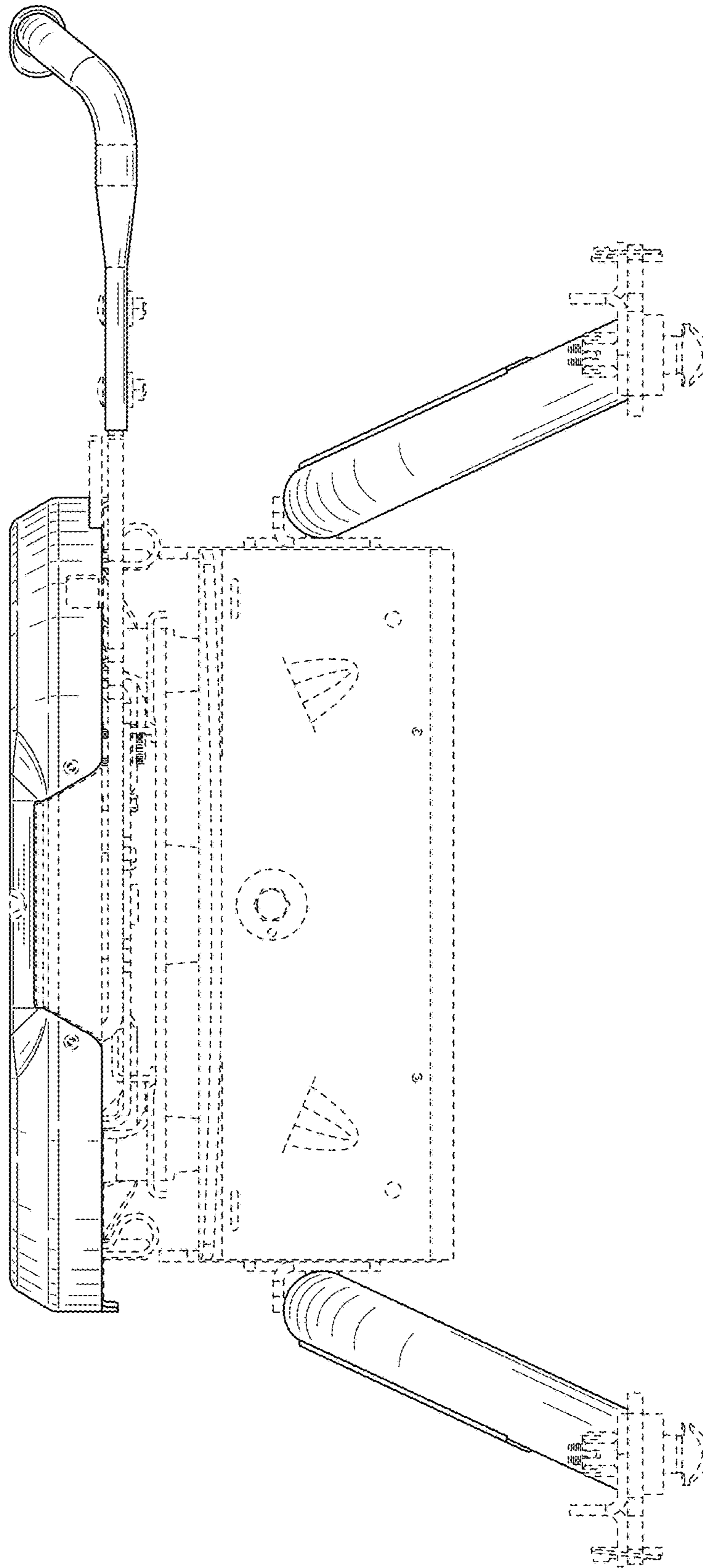


FIG. 9

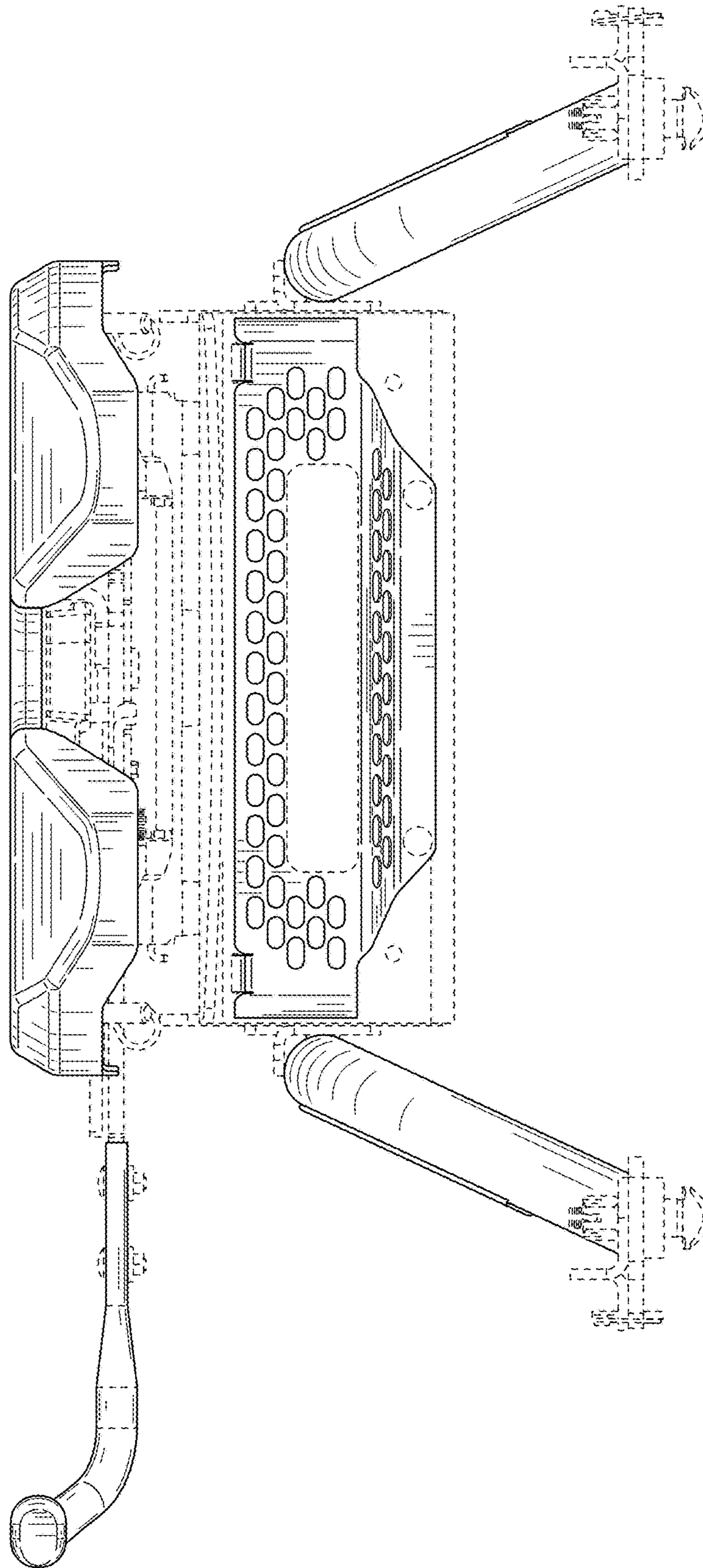


FIG. 10

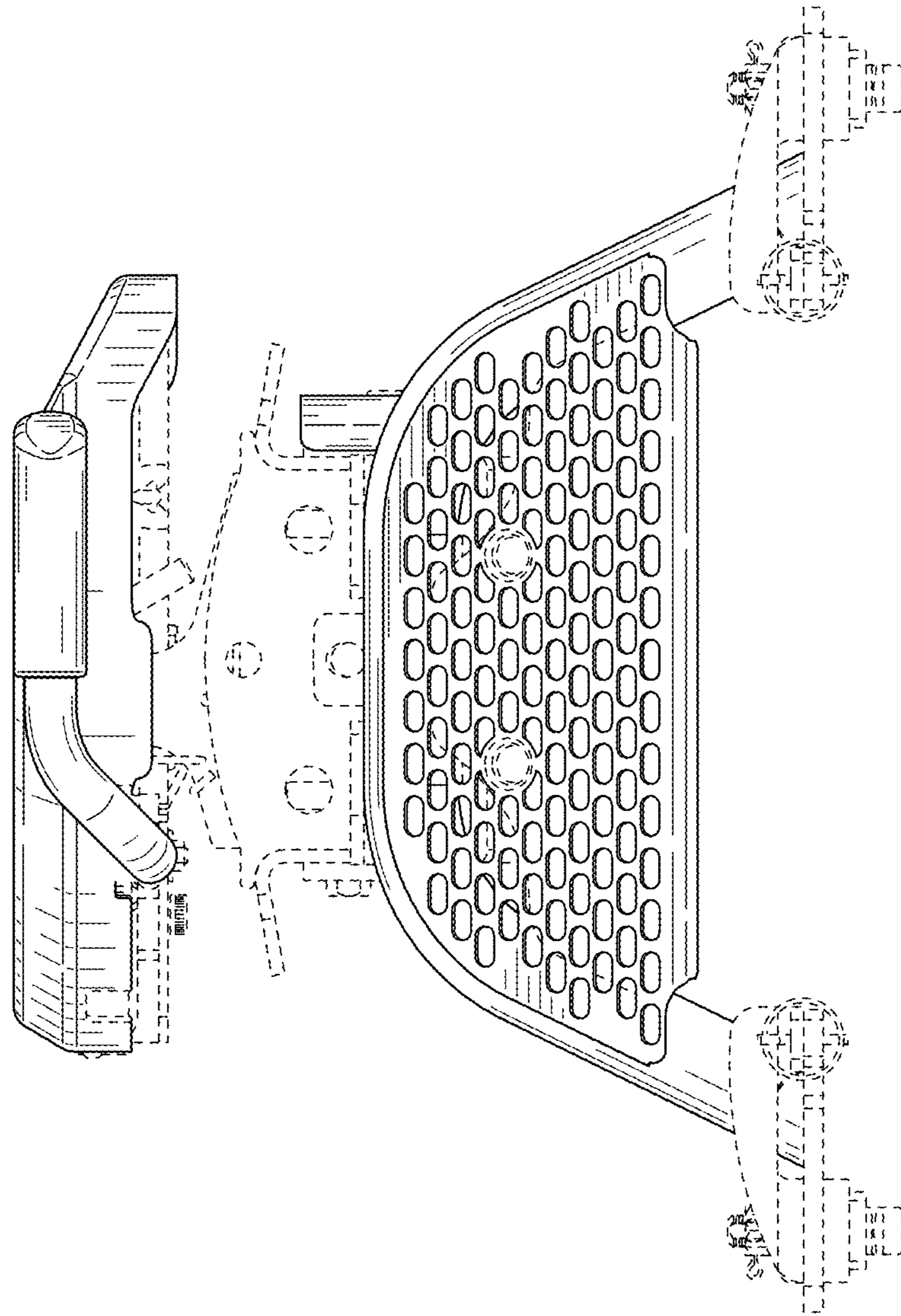


FIG. 11

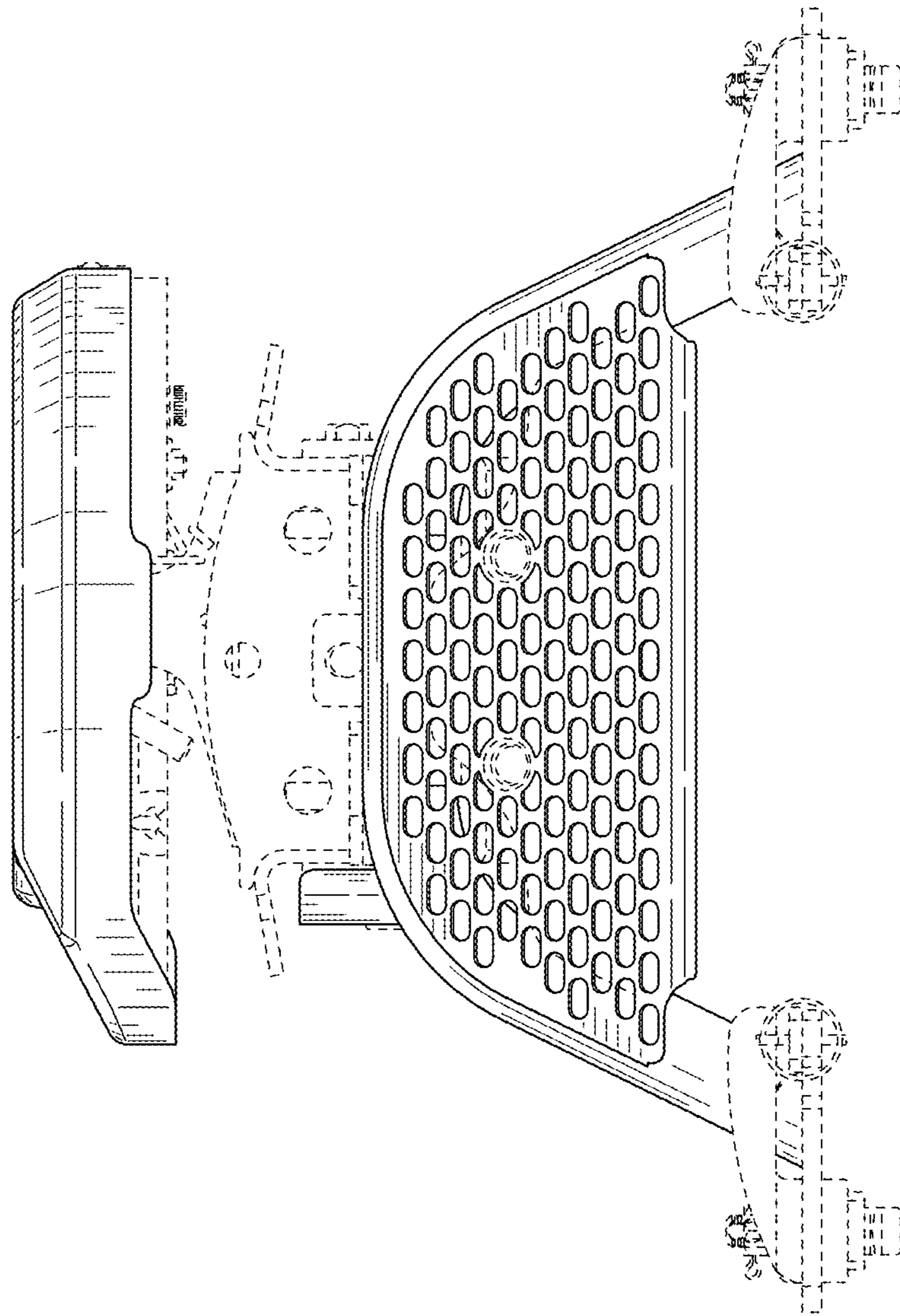


FIG. 12

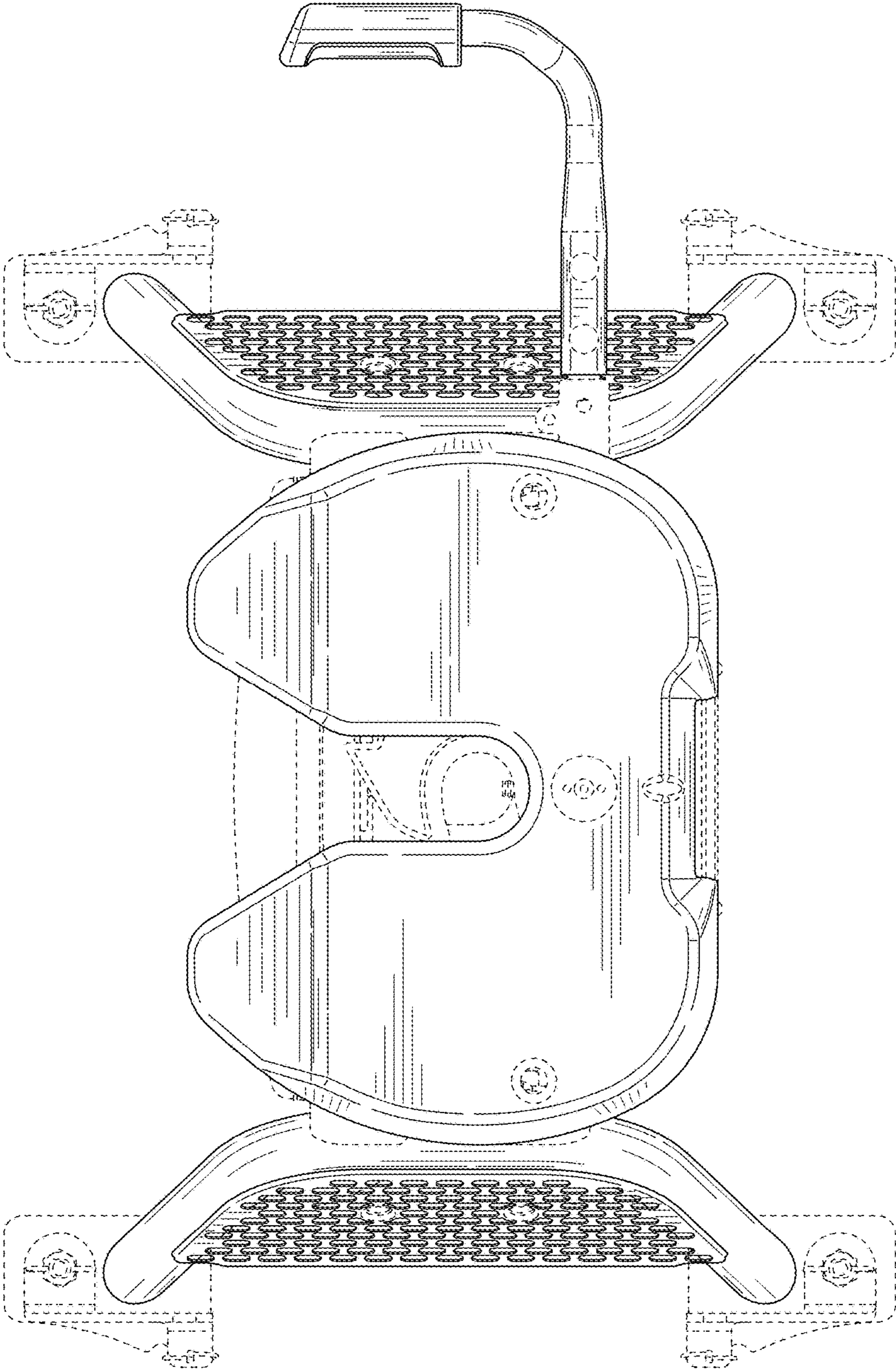


FIG. 13

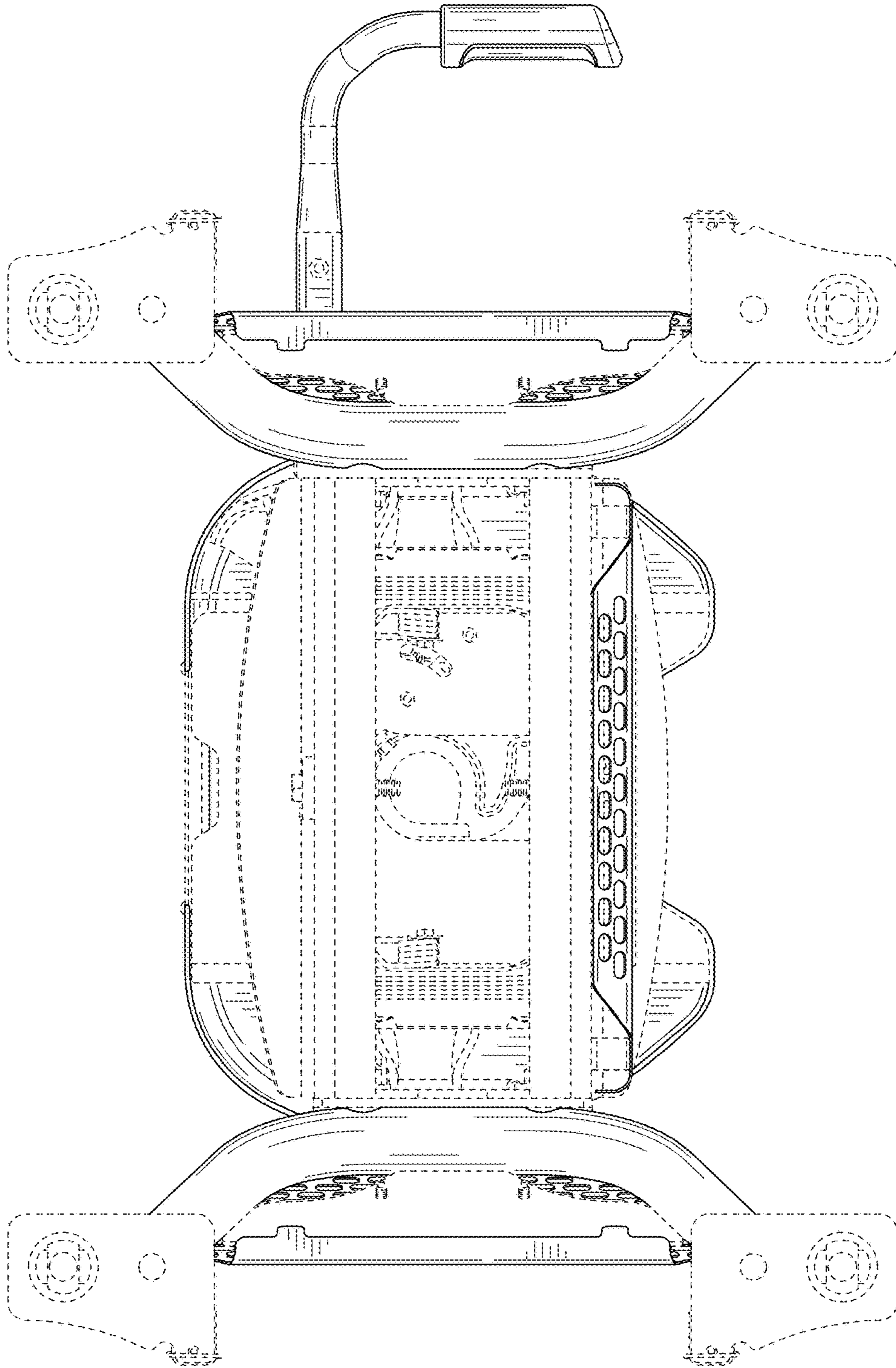


FIG. 14