



US00D853279S

(12) **United States Design Patent** (10) **Patent No.:** **US D853,279 S**
Gan (45) **Date of Patent:** **** Jul. 9, 2019**

(54) **UNMANNED AERIAL VEHICLE**

OTHER PUBLICATIONS

(71) Applicant: **Shenzhen Valuelink E-Commerce Co., Ltd.**, Shenzhen (CN)

FQ777 FQ31W 0.3MP Camera Wifi FPV Foldable RC Drone Quadcopter RTF for Sale by TOMTOP. dated 2018. found online [Oct. 23, 2018] <https://www.tomtop.com/p-rm9856.html>.*

(72) Inventor: **Qing-Cao Gan**, Shenzhen (CN)

(Continued)

(73) Assignee: **Shenzhen Valuelink E-Commerce Co., Ltd.**, Shenzhen (CN)

Primary Examiner — Marissa J Cash

(74) *Attorney, Agent, or Firm* — ScienBiziP, P.C.

(**) Term: **15 Years**

(21) Appl. No.: **29/631,021**

(57) **CLAIM**

(22) Filed: **Dec. 26, 2017**

The ornamental design for an unmanned aerial vehicle, as shown and described.

(51) **LOC (11) Cl.** **12-07**

(52) **U.S. Cl.**
USPC **D12/16.1**

(58) **Field of Classification Search**
USPC D12/16.1, 319–345; D21/436, 438, 441, D21/442, 443, 444, 447, 448, 449, 450, D21/451, 452, 454
CPC ... B64C 29/00; B64C 2201/141; B64C 27/24; B64C 27/30; B64C 39/04; B64C 29/0033; B64C 29/0025
See application file for complete search history.

DESCRIPTION

FIG. 1 is a first perspective view of an unmanned aerial vehicle showing my new design;
FIG. 2 is a second perspective view of the unmanned aerial vehicle of FIG. 1;
FIG. 3 is a front elevational view of the unmanned aerial vehicle of FIG. 1;
FIG. 4 is a rear elevational view of the unmanned aerial vehicle of FIG. 1;
FIG. 5 is a left side elevational view of the unmanned aerial vehicle of FIG. 1;
FIG. 6 is a right side elevational view of the unmanned aerial vehicle of FIG. 1;
FIG. 7 is a top plan view of the unmanned aerial vehicle of FIG. 1; and,
FIG. 8 is a bottom plan view of the unmanned aerial vehicle of FIG. 1.

In the drawings, the claimed design is defined by the shaded surfaces; broken lines immediately adjacent shaded surface represent boundaries of the claim and form no part thereof; all other broken lines depict portions of the unmanned aerial vehicle that form no part of the claim.

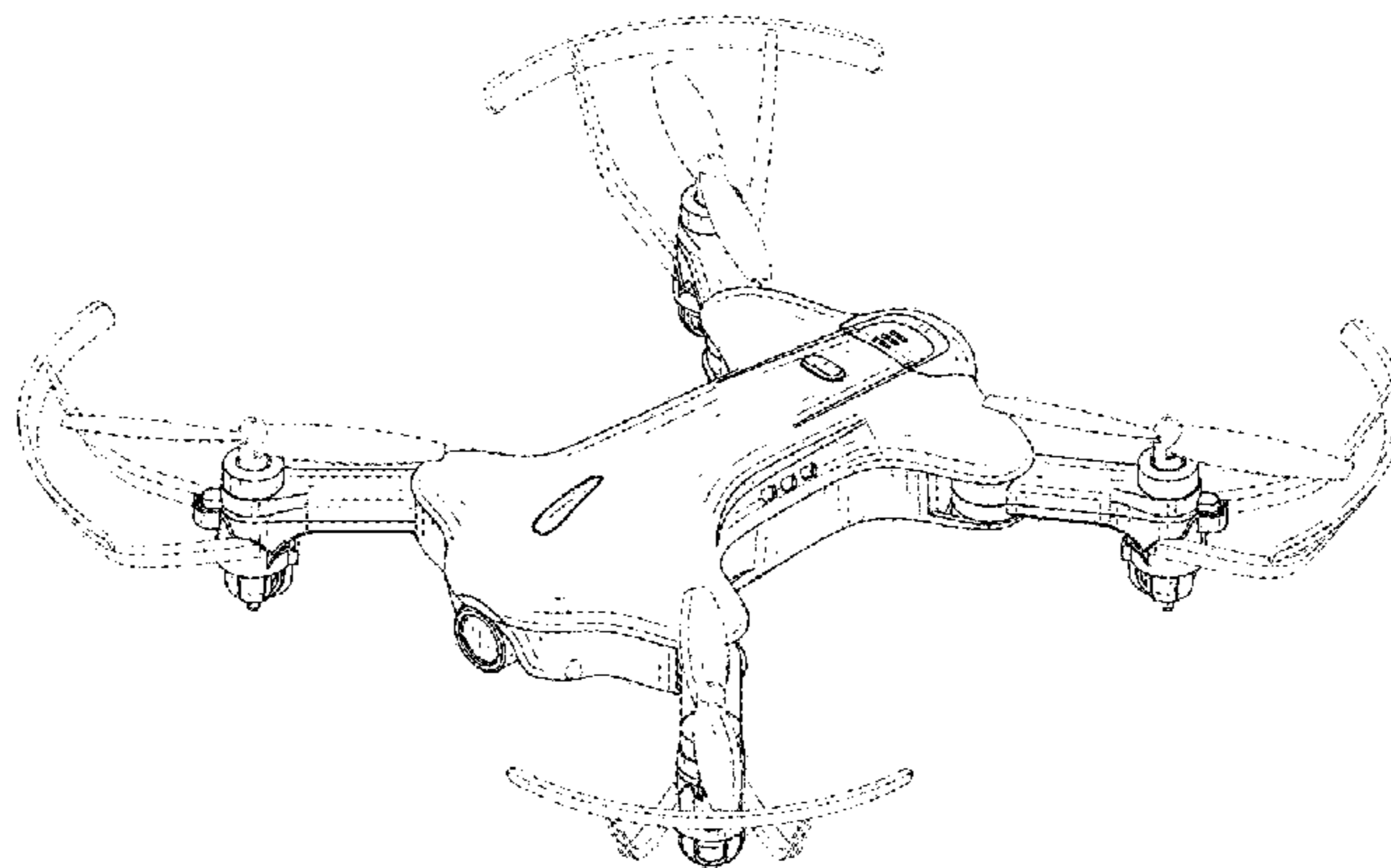
(56) **References Cited**

U.S. PATENT DOCUMENTS

D756,842 S *	5/2016	Ashjaee	D12/16.1
D759,764 S *	6/2016	Lai	D12/16.1
D768,539 S *	10/2016	Lee	D12/16.1
D768,540 S *	10/2016	Ji	D12/16.1
D772,991 S *	11/2016	Caubel	D12/16.1
D783,727 S *	4/2017	Xiao	D21/441
D785,717 S *	5/2017	Xiao	D21/441
D793,482 S *	8/2017	Wang	D12/16.1
D795,741 S *	8/2017	Li	D12/16.1
D795,742 S *	8/2017	Li	D12/16.1
D795,743 S *	8/2017	Li	D12/16.1
D797,602 S *	9/2017	Li	D12/16.1
D797,859 S *	9/2017	Caubel	D21/441
D798,962 S *	10/2017	Xiao	D21/441

(Continued)

1 Claim, 8 Drawing Sheets



(56)

References Cited

U.S. PATENT DOCUMENTS

D798,963 S * 10/2017 Xiao D21/441
 D800,016 S * 10/2017 Huang D12/16.1
 D808,301 S * 1/2018 Goldy D12/16.1
 D813,724 S * 3/2018 Hu D12/16.1
 D814,385 S * 4/2018 Zhao D12/328
 D814,970 S * 4/2018 Chen D12/16.1
 D818,872 S * 5/2018 Ho D12/16.1
 D818,874 S * 5/2018 Tian D12/16.1
 D825,380 S * 8/2018 Tompkin D12/16.1
 D825,381 S * 8/2018 Meugnier D12/16.1
 D825,669 S * 8/2018 Tompkin D21/441
 D827,723 S * 9/2018 Barajas D21/442
 D829,283 S * 9/2018 Cai D21/441
 2017/0174316 A1 * 6/2017 Huddleston, Jr. B64C 11/00
 2017/0259914 A1 * 9/2017 Bevirt B64C 27/52
 2018/0002023 A1 * 1/2018 Tian B64D 33/08

OTHER PUBLICATIONS

DROCON Ninja Foldable Drone for Kids and Beginners with 720P FPV by DRONCON. earliest Amazon review date Jul. 17, 2018. found online [Oct. 23, 2018] https://www.amazon.com/DROCON-Foldable-Beginners-Wide-Angle-Real-time/dp/B07F66LRTF/ref=cm_cr_arp_d_pdt_img_top?ie=UTF8#customerReviews.
 Potensic Wings, Foldable Mini Drone by Potensic. earliest Amazon review dated Aug. 31, 2018. found online [Oct. 23, 2018] https://www.amazon.com/Potensic-Foldable-Positioning-Quadcopter-Wide-Angle/dp/B07F7S1ZW1/ref=pd_day0_hl_21_2.
 APEX GD-145B FOXBAT WiFi FPV Pocket Drone by banggood. dated Sep. 6, 2018. found online [Oct. 23, 2018] https://www.banggood.com/it/APEX-GD-145B-FOXBAT-WiFi-FPV-Pocket-Drone-With-1080P-Wide-Angle-Camera-Altitude-Hold-RC-Quadcopter-p-1300053.html?cur_warehouse=CN#jsReviewsWrap.

* cited by examiner

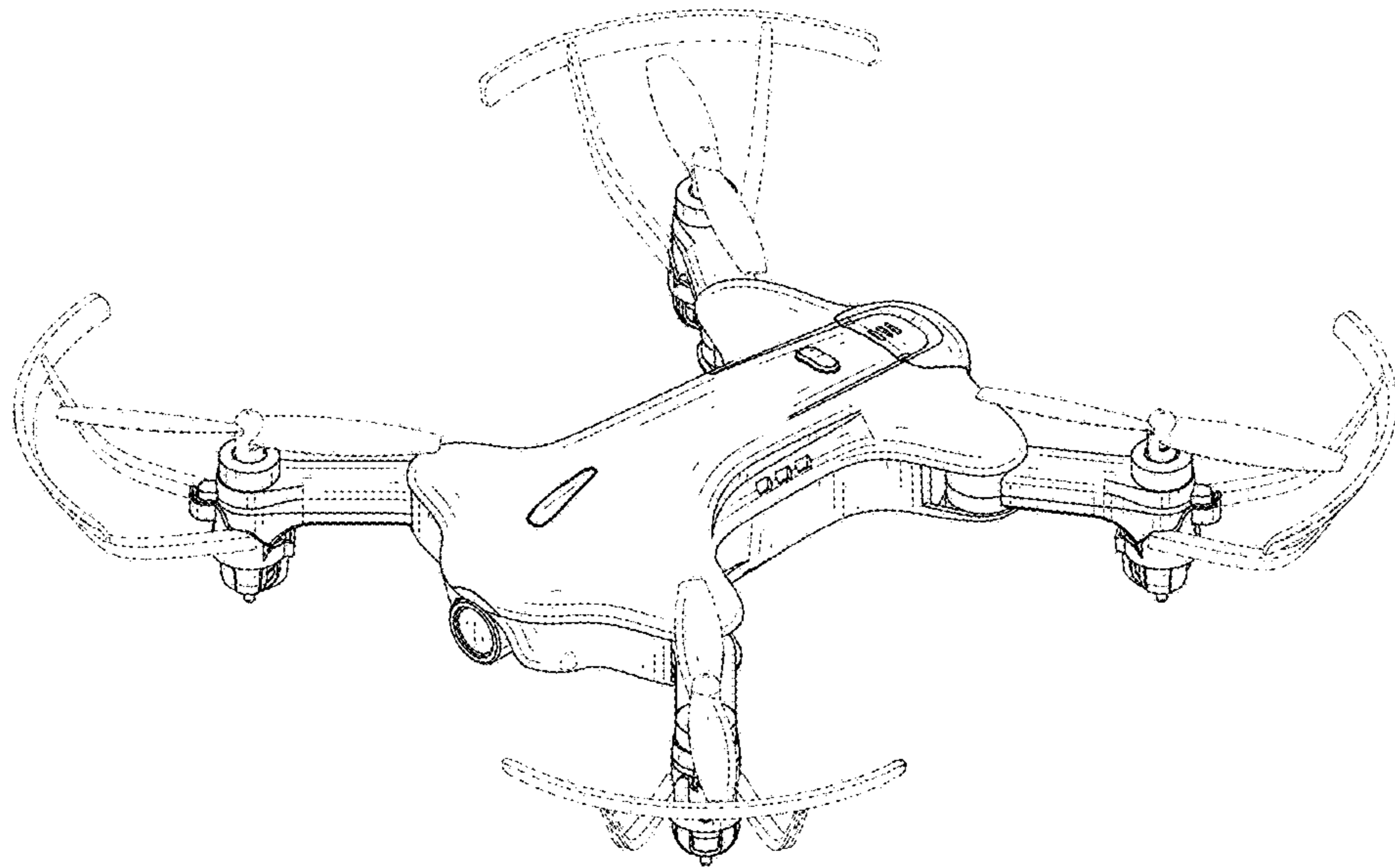


FIG. 1

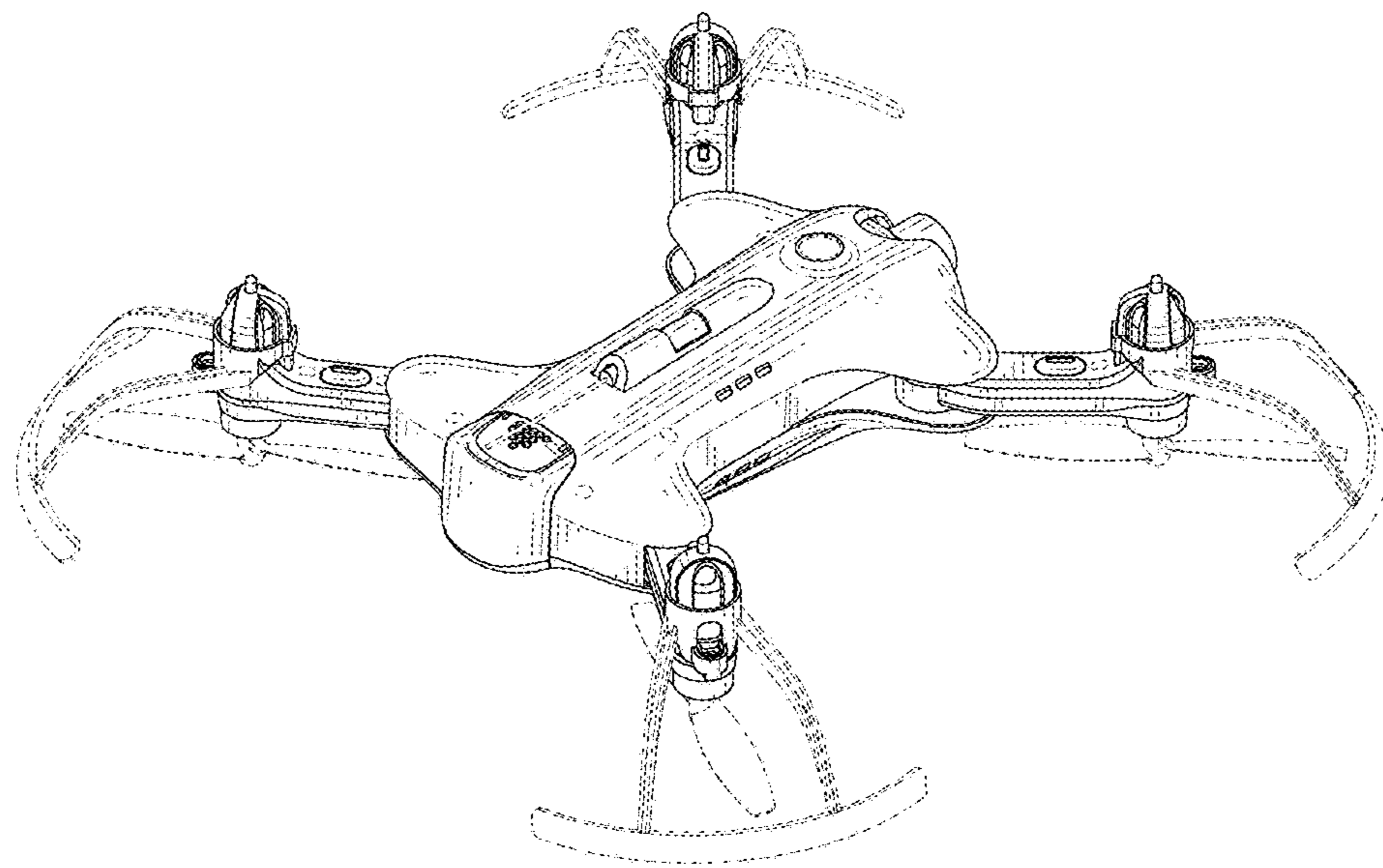


FIG. 2

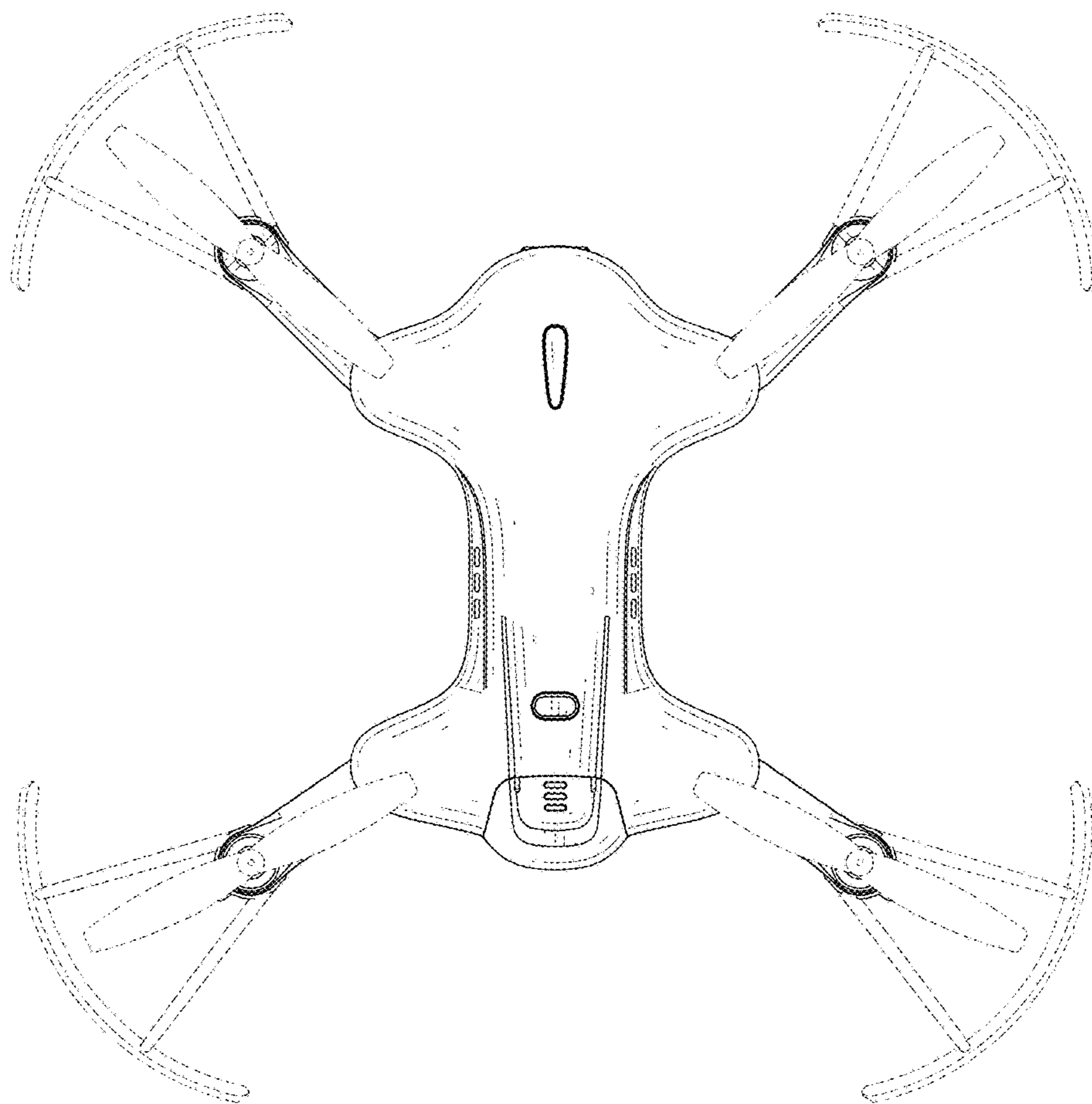


FIG. 3

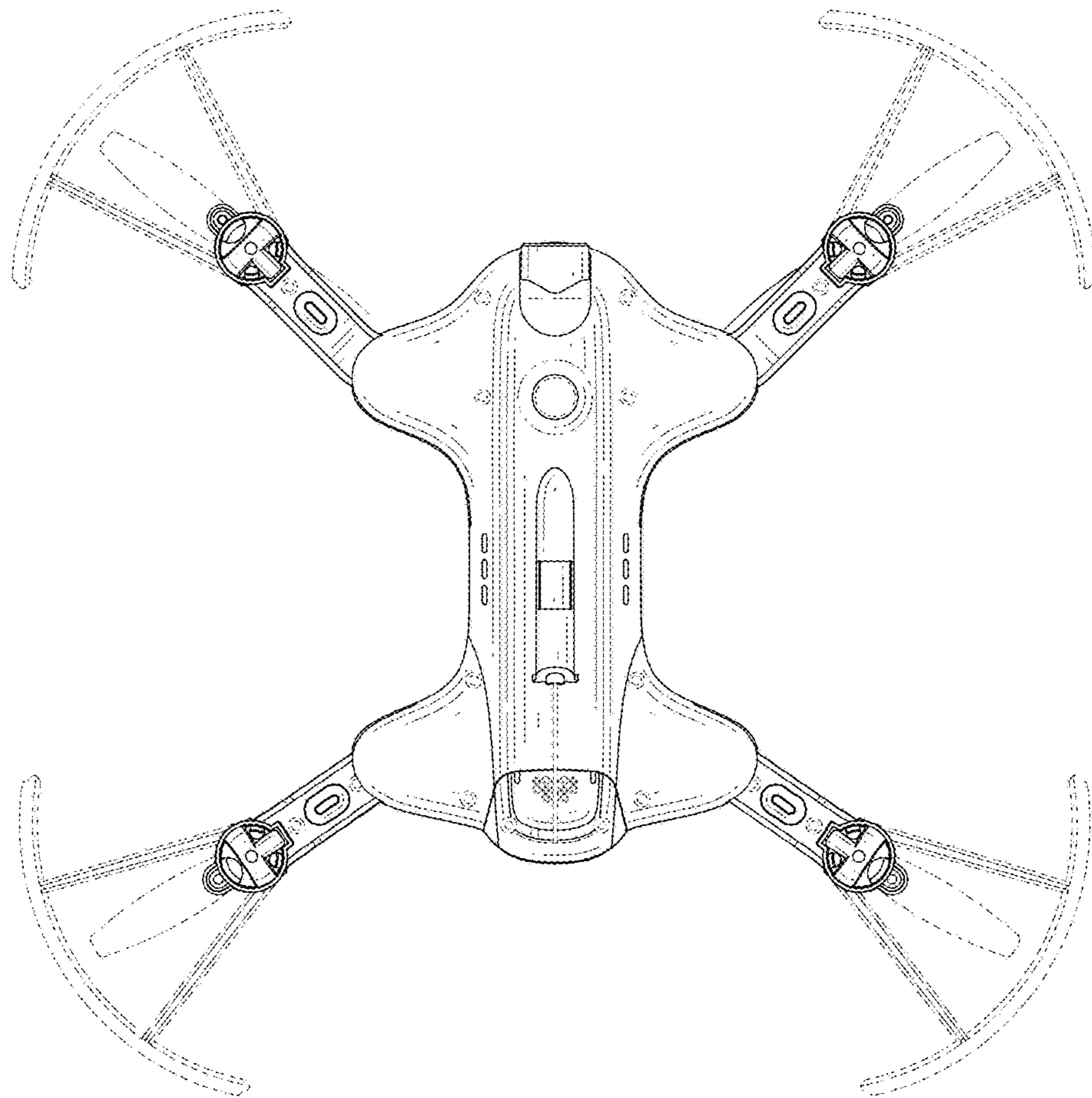


FIG. 4

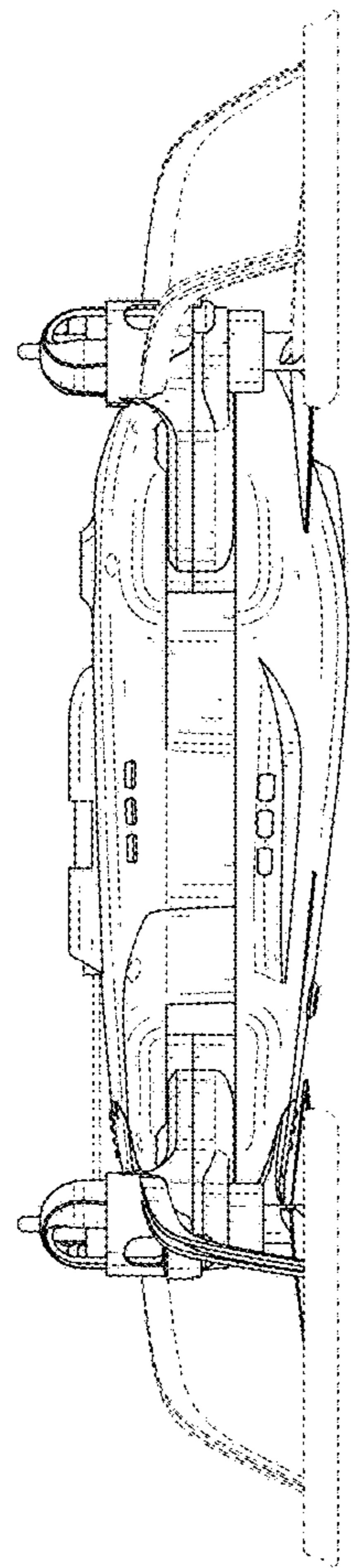


FIG. 5

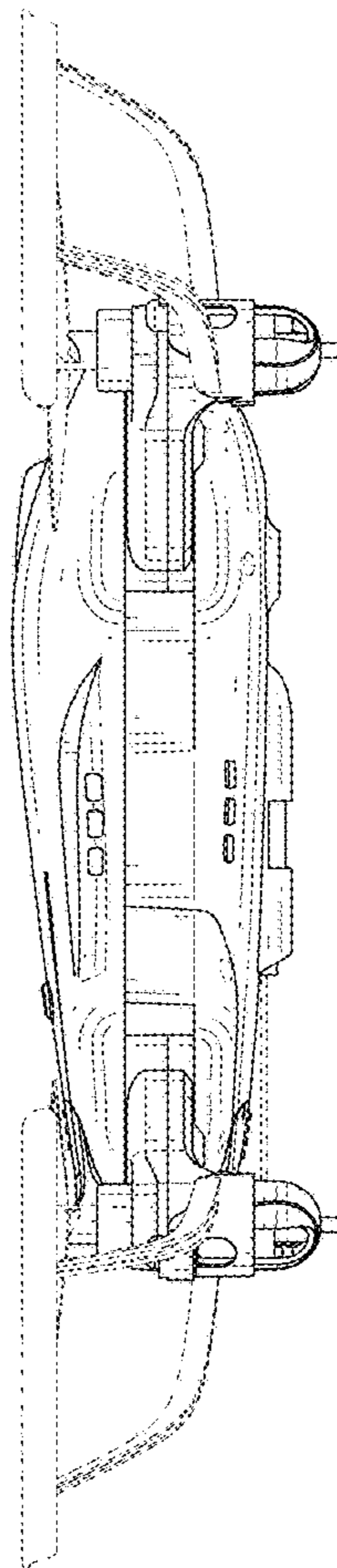


FIG. 6

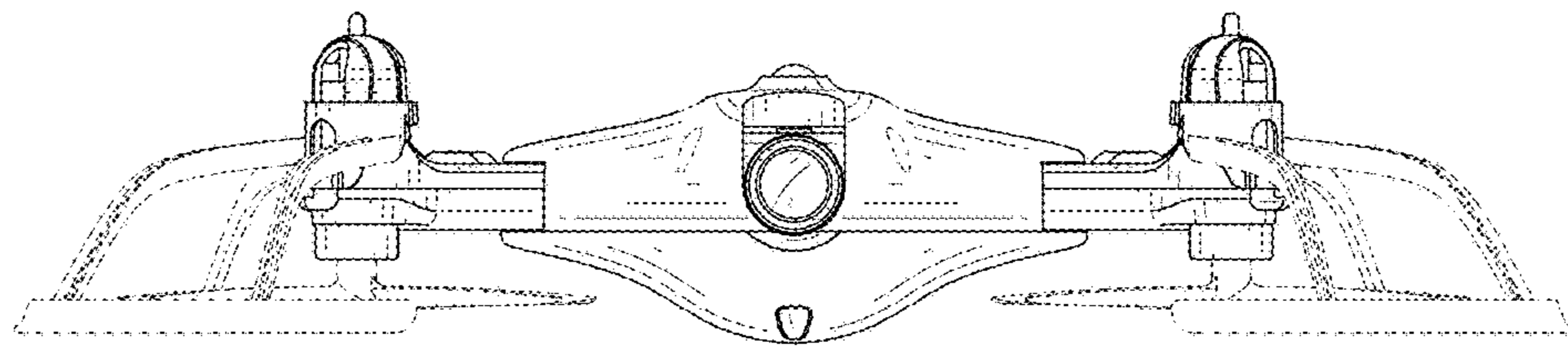


FIG. 7

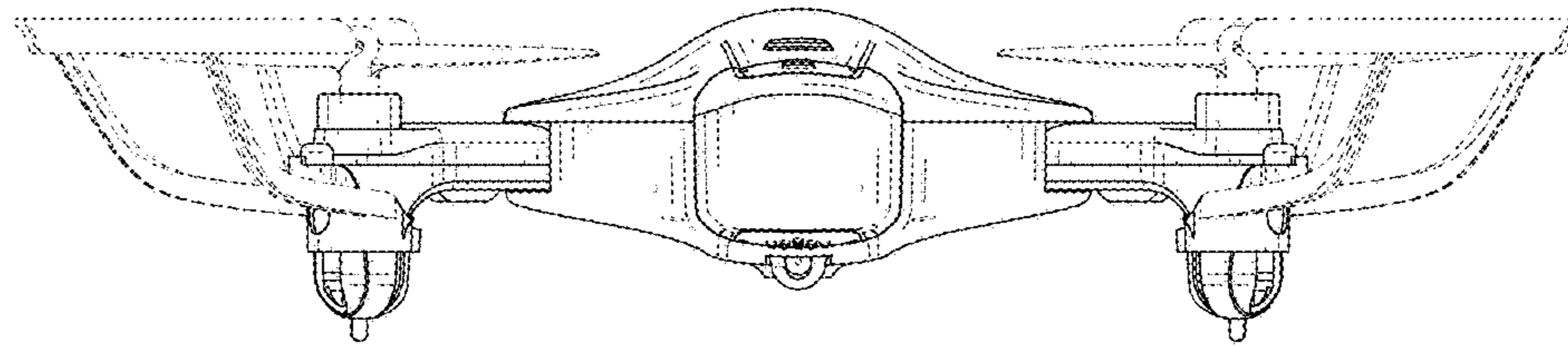


FIG. 8