



US00D853277S

(12) **United States Design Patent** (10) **Patent No.:** **US D853,277 S**
Lin et al. (45) **Date of Patent:** **** Jul. 9, 2019**

(54) **PASSENGER SAFETY BELT BUCKLE**
(71) Applicant: **Rockwell Collins, Inc.**, Cedar Rapids, IA (US)
(72) Inventors: **Jaan Lin**, Winston-Salem, NC (US); **Alex L. Velet**, Clemmons, NC (US)
(73) Assignee: **Rockwell Collins, Inc.**, Cedar Rapids, IA (US)
(**) Term: **15 Years**
(21) Appl. No.: **29/643,351**
(22) Filed: **Apr. 6, 2018**
(51) **LOC (11) Cl.** **11-07**
(52) **U.S. Cl.**
USPC **D11/216**
(58) **Field of Classification Search**
USPC D2/624, 626, 627, 633, 639, 640, 853, D2/923; D3/24, 213, 215, 216, 230; D8/14, 331, 343, 349, 356, 358, 359, 360, D8/363, 366, 371, 382, 394, 395; D10/32, 38; D11/1, 2, 3, 12, 16, 86, 87, D11/93, 200, 201, 206–210, 212–218, D11/229–237; D12/195, 416; D29/100–101.5, 122, 129, 130; D30/139, D30/152, 153
CPC A44B 11/00; A44B 11/02; A44B 11/04; A44B 11/05; A44B 11/06; A44B 11/10; A44B 11/14; A44B 11/22; A44B 11/25; A44B 11/26; A44B 11/125; A44B 11/223; A44B 11/001; A44B 11/005; A44B 11/006; A44B 11/2503; A44B 11/2507; A44B 11/2526; A44B 11/2553; A44B 11/2592; A41F 1/008; A41F 9/002; A41F 9/007; A41F 11/06; B60R 22/30; B60R 22/32; B60R 22/022; B60R 2022/1806; B60R 2022/1812; B60R 2022/281; B65D 63/16; A62B 35/00
See application file for complete search history.

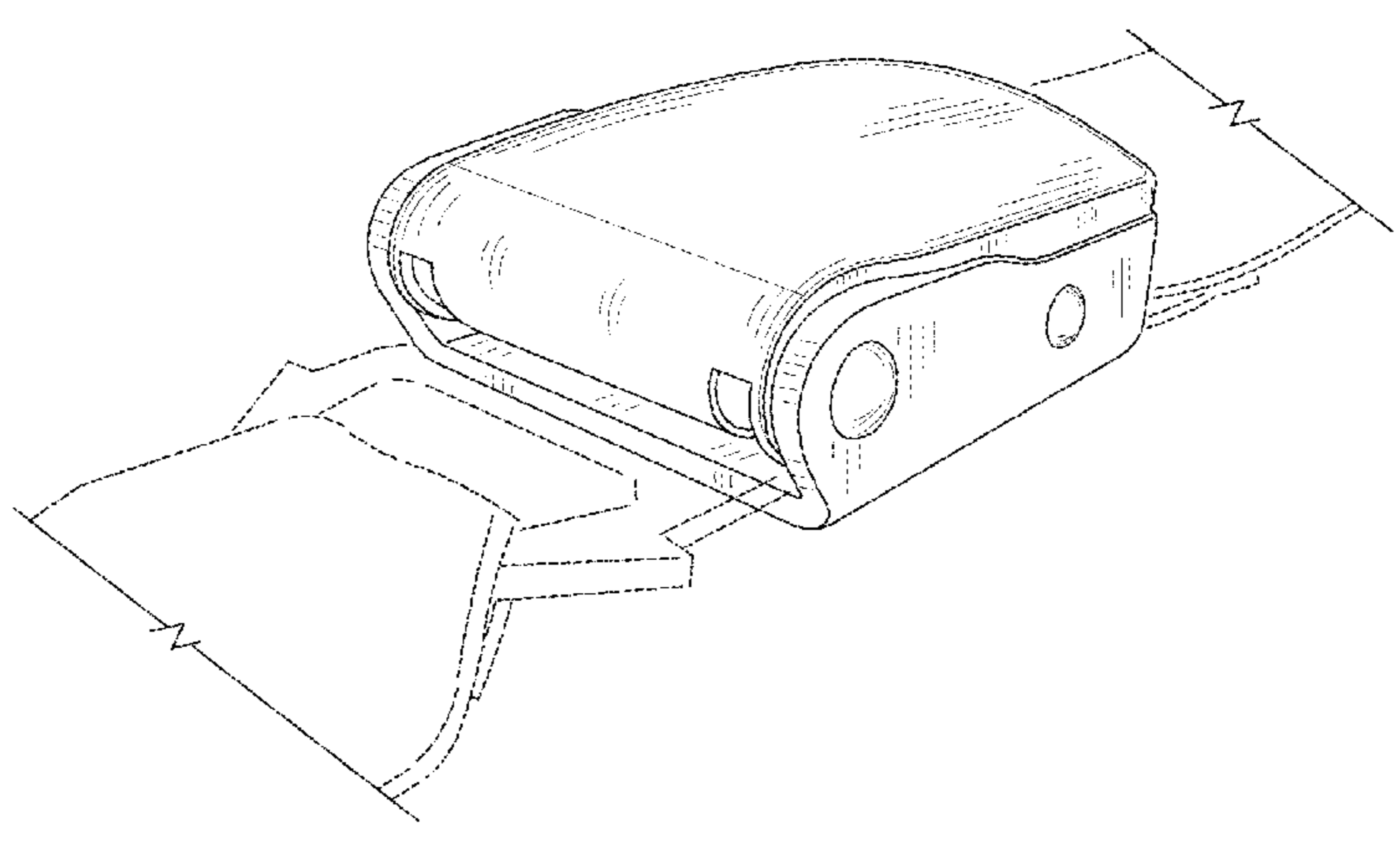
(56) **References Cited**
U.S. PATENT DOCUMENTS
D171,045 S * 12/1953 Noe D11/216
2,862,268 A * 12/1958 Cushman A44B 11/2526
24/323
3,091,010 A * 5/1963 Davis A44B 11/2526
24/646
(Continued)

FOREIGN PATENT DOCUMENTS
EM 005763505-0001 * 1/2019
Primary Examiner — Kevin K Rudzinski
Assistant Examiner — Richard Kearney
(74) *Attorney, Agent, or Firm* — Angel N. Gerdzhikov; Donna P. Suchy; Daniel M. Barbieri

(57) **CLAIM**
The ornamental design for a passenger safety belt buckle, as shown and described.

DESCRIPTION
FIG. 1 is a perspective view of a passenger safety belt buckle;
FIG. 2 is a top plan view of the passenger safety belt buckle of FIG. 1;
FIG. 3 is a front elevation view of the passenger safety belt buckle of FIG. 1;
FIG. 4 is a left side elevation view of the passenger safety belt buckle of FIG. 1;
FIG. 5 is a rear elevation view of the passenger safety belt buckle of FIG. 1;
FIG. 6 is a right side elevation view of the passenger safety belt buckle of FIG. 1; and,
FIG. 7 is a bottom plan view of the passenger safety belt buckle of FIG. 1.
The broken lines shown in the drawings illustrates portions of the article that form no part of the claimed design.

1 Claim, 4 Drawing Sheets



(56)

References Cited

U.S. PATENT DOCUMENTS

D200,772 S * 4/1965 Dahms D11/216
3,241,206 A * 3/1966 Greenfield A44B 11/2526
24/165
D209,657 S * 12/1967 Barcus D11/216
D327,455 S * 6/1992 Blair 24/190
5,123,147 A * 6/1992 Blair A44B 11/2526
24/633
D453,125 S * 1/2002 Citton D11/216
D533,045 S * 12/2006 Schroth D8/300
D567,709 S * 4/2008 Cho D11/216
D603,753 S * 11/2009 Palmer D11/216

* cited by examiner

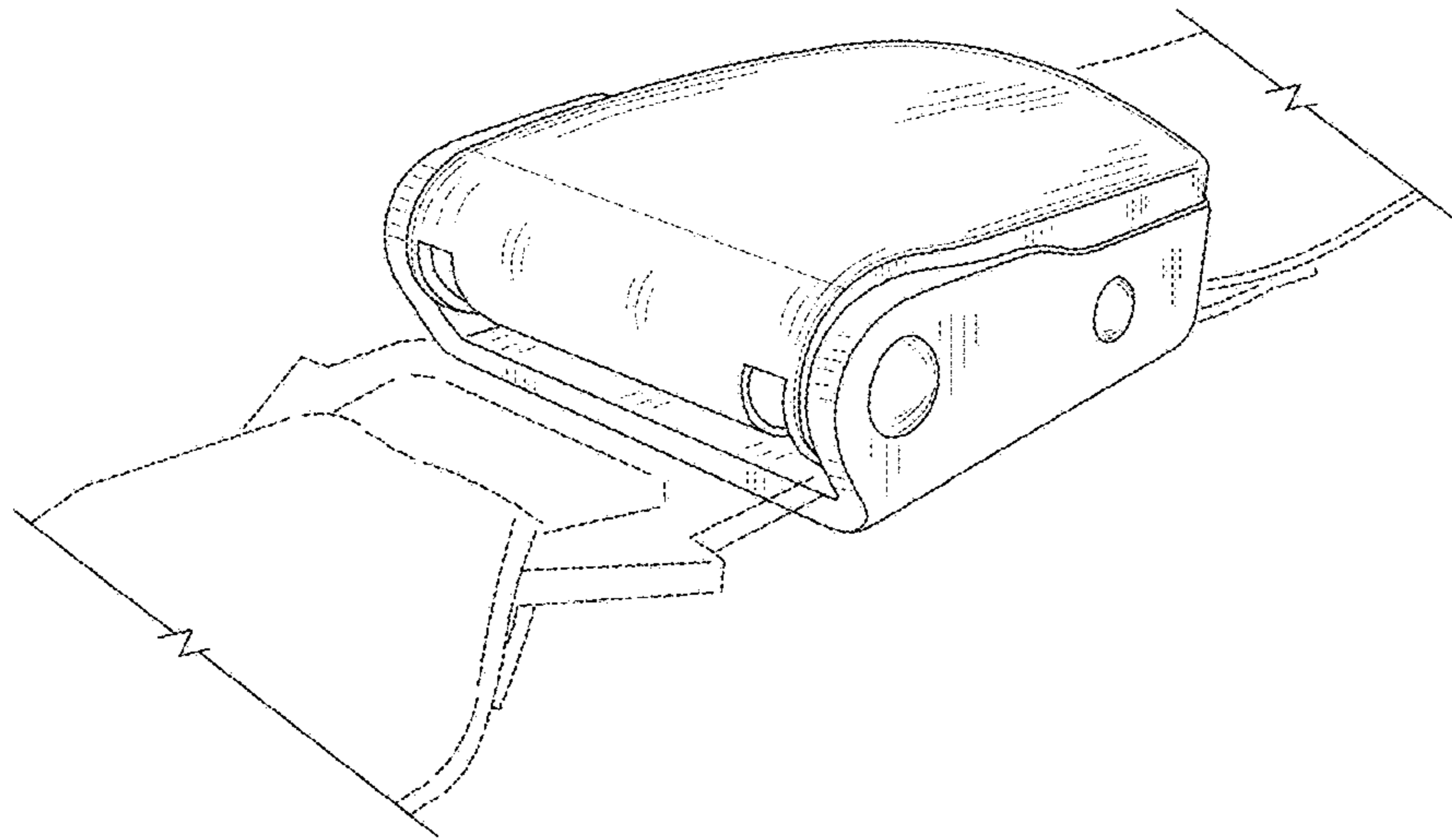


FIG. 1

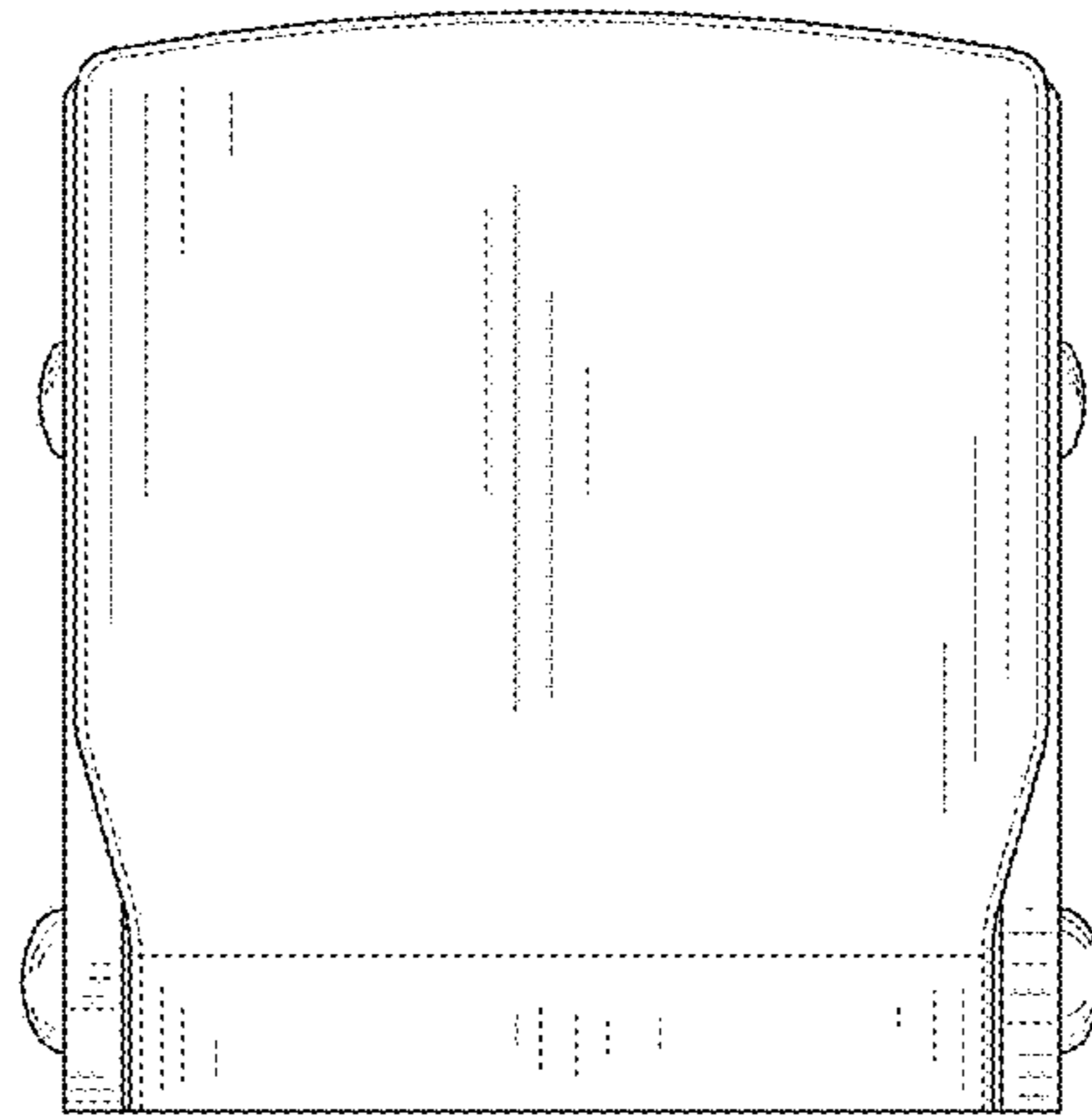


FIG. 2

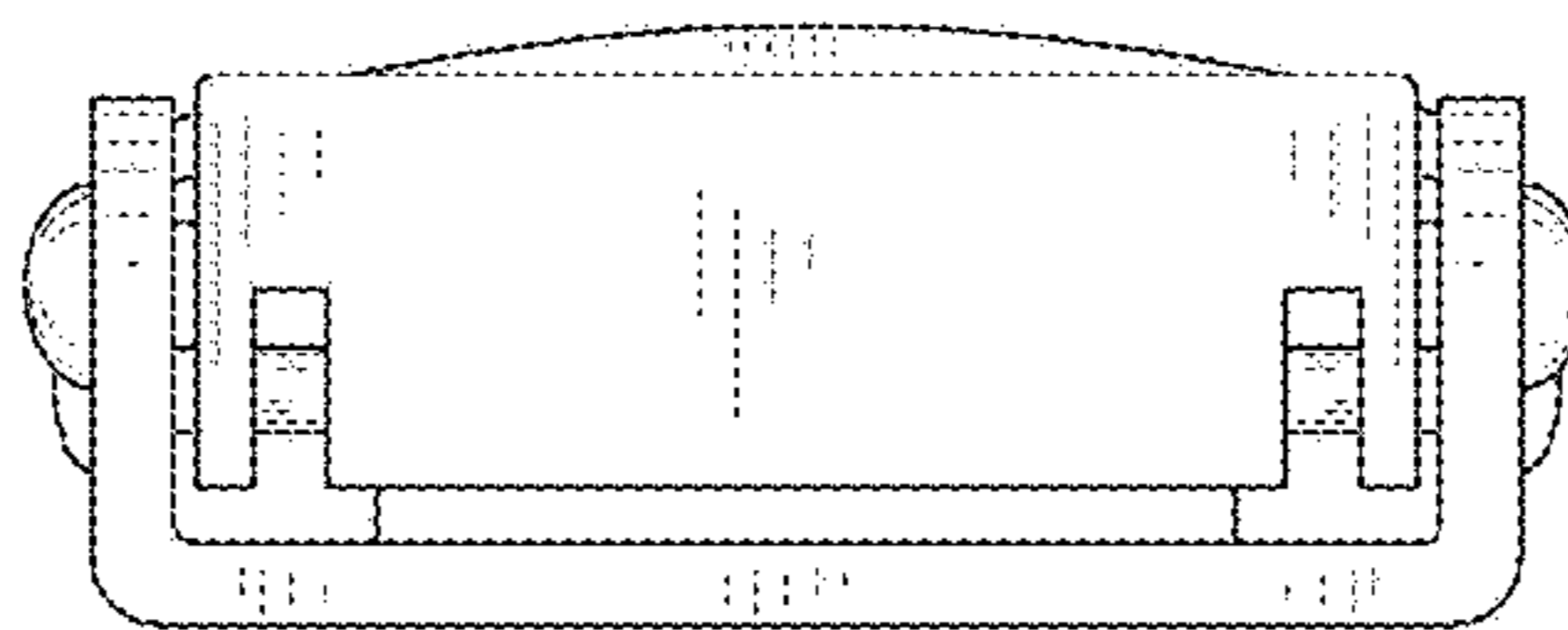


FIG. 3

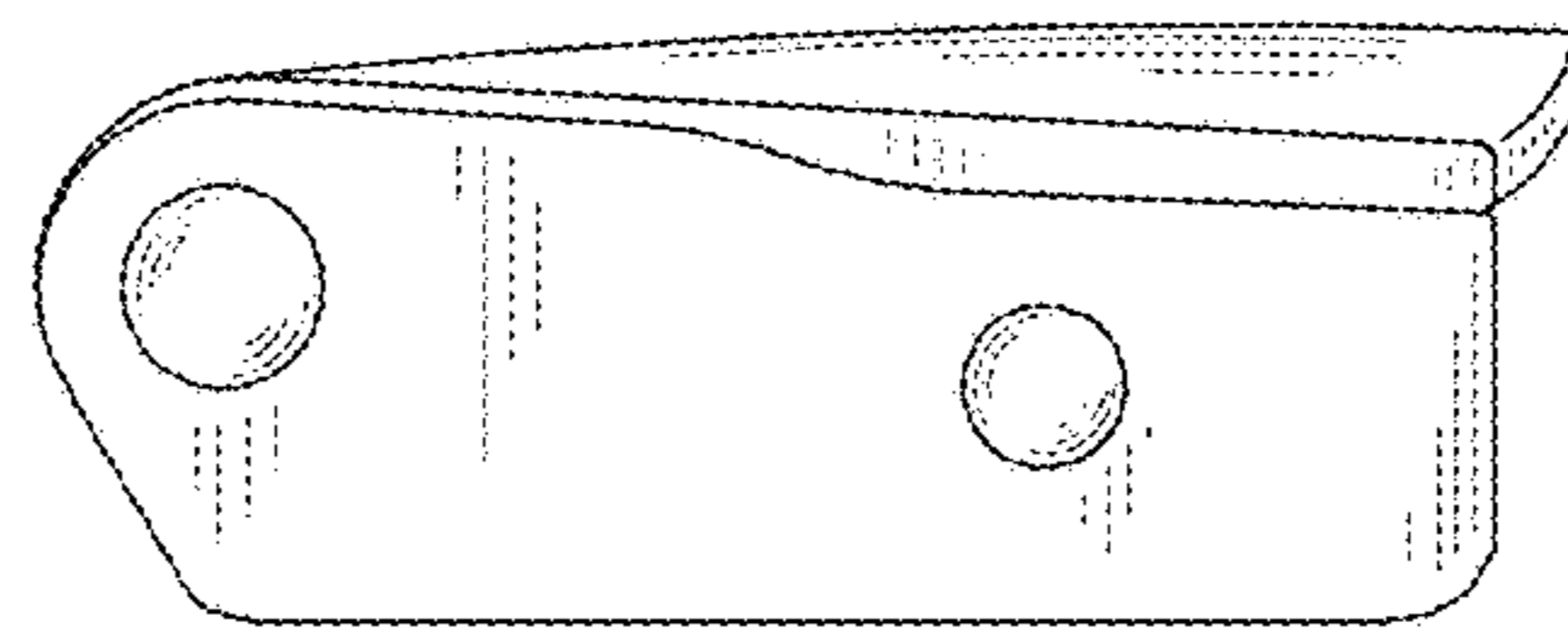


FIG. 4

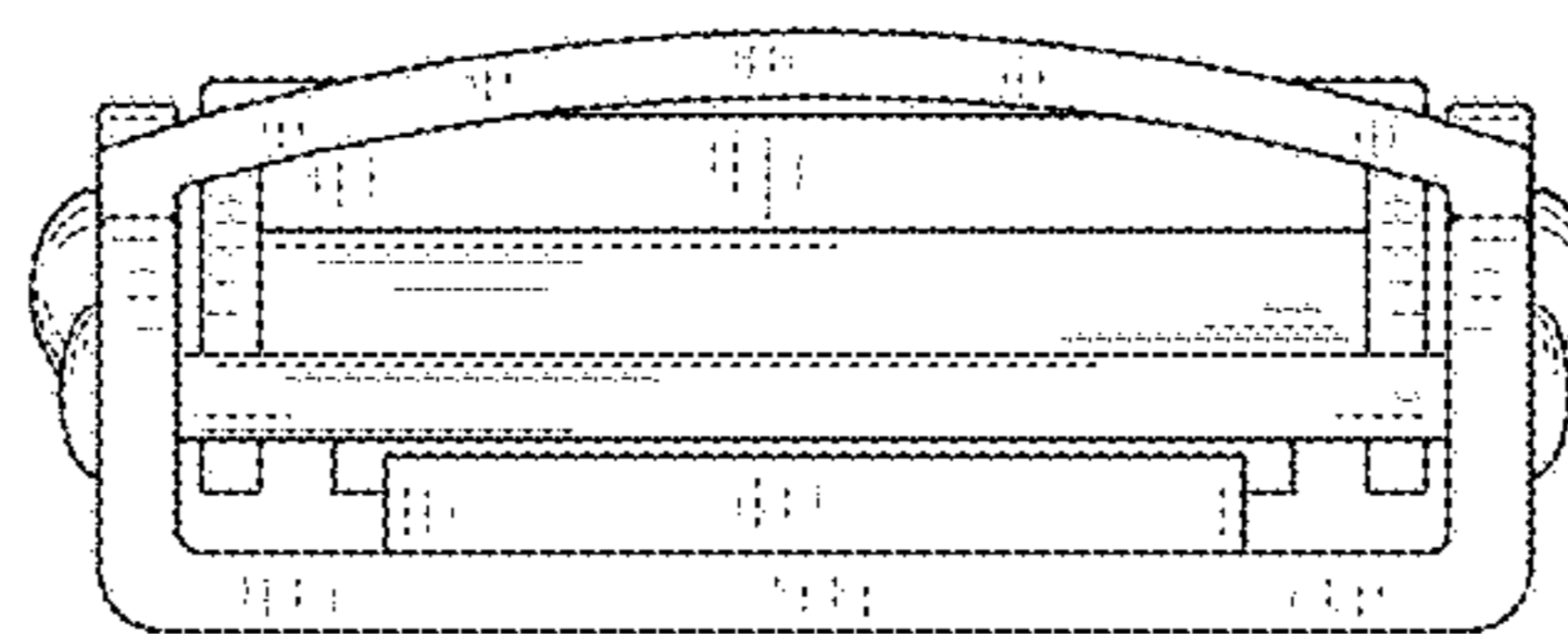


FIG. 5

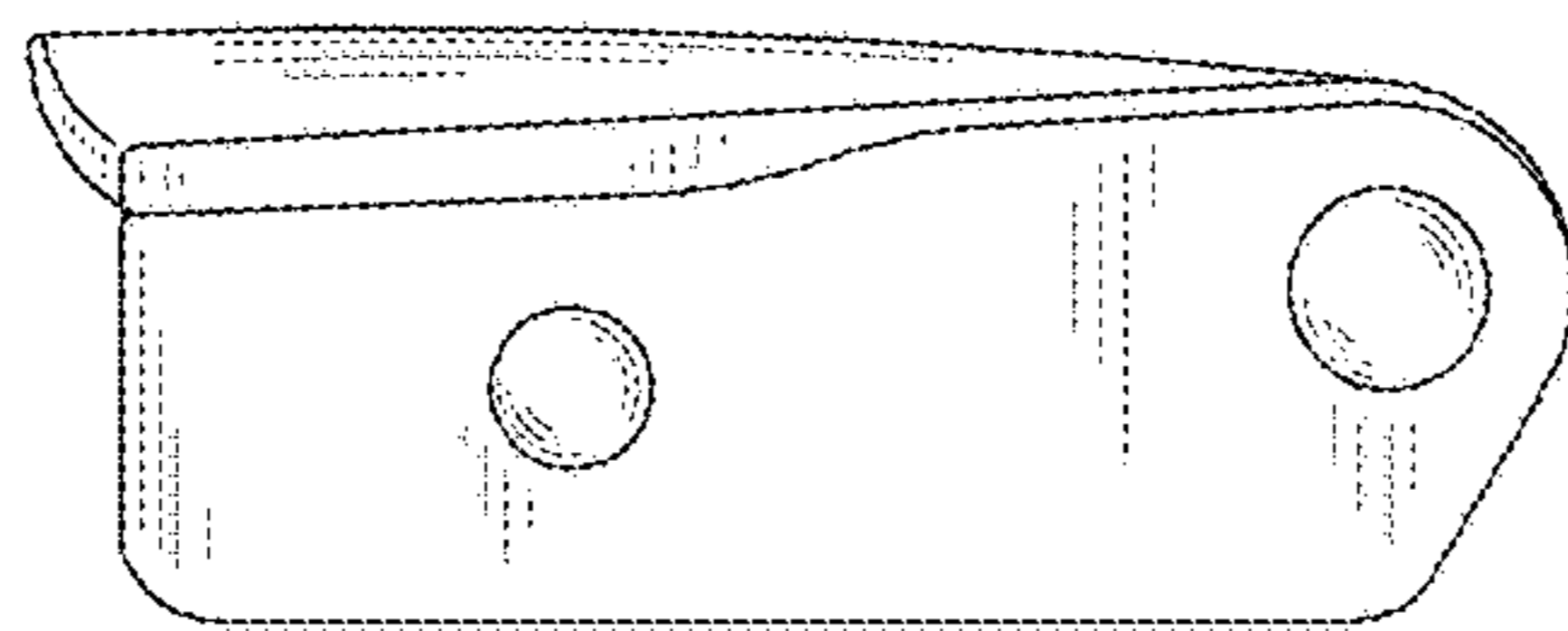


FIG. 6

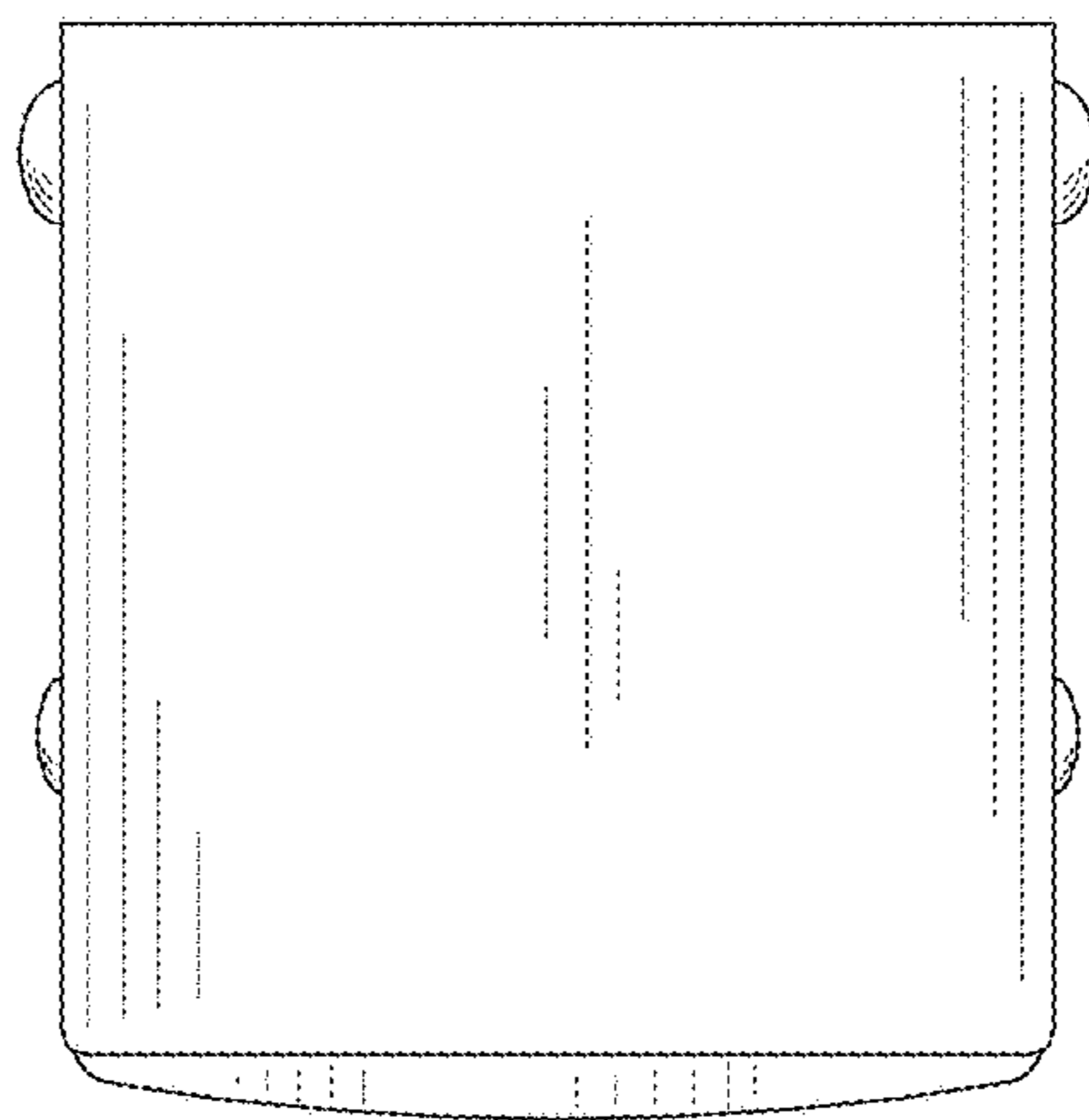


FIG. 7