



US00D853276S

(12) **United States Design Patent** (10) **Patent No.:** **US D853,276 S**
Ekberg et al. (45) **Date of Patent:** **** Jul. 9, 2019**

(54) **CHEST-BUCKLE**

22/022; B60R 2022/1806; B60R 2022/1812; B60R 2022/281; B65D 63/16; A62B 35/00

(71) Applicant: **Changzhou Globe Co., Ltd.**,
Changzhou, Jiangsu (CN)

See application file for complete search history.

(72) Inventors: **Emma Ekberg**, Göteborg (SE); **Yeqing Hu**, Jiangsu (CN)

(56) **References Cited**

(73) Assignee: **Changzhou Globe Co., Ltd.**,
Changzhou, Jiangsu (CN)

U.S. PATENT DOCUMENTS

(**) Term: **15 Years**

| | | | | |
|---------------|---------|--------------|-------|-----------|
| D91,276 S * | 1/1934 | Lipman | | D11/212 |
| 4,309,799 A * | 1/1982 | Noda | | A41F 3/04 |
| | | | | 2/321 |
| 6,108,875 A * | 8/2000 | Anscher | | A42B 3/08 |
| | | | | 24/170 |
| D515,456 S * | 2/2006 | Gastaldi | | D11/216 |
| D519,406 S * | 4/2006 | Merrill | | D11/216 |
| D592,543 S * | 5/2009 | Kolasa | | D11/216 |
| D599,701 S * | 9/2009 | Jacobs | | D11/216 |
| D612,764 S * | 3/2010 | Mountz | | D11/216 |
| D710,747 S | 8/2014 | Nanbu et al. | | |
| D739,783 S | 9/2015 | Liu et al. | | |
| D741,745 S * | 10/2015 | Cleere | | D11/216 |
| D778,208 S | 2/2017 | Fujii | | |

(21) Appl. No.: **29/641,893**

(22) Filed: **Mar. 26, 2018**

(30) **Foreign Application Priority Data**

Sep. 27, 2017 (CN) 2017 30 462775

(51) **LOC (11) Cl.** **11-07**

(52) **U.S. Cl.**
USPC **D11/216**

(58) **Field of Classification Search**
USPC D2/624, 626, 627, 633, 639, 640, 853,
D2/923; D3/24, 213, 215, 216, 230;
D8/14, 331, 343, 349, 356, 358, 359, 360,
D8/363, 366, 371, 382, 394, 395;
D10/32, 38; D11/1, 2, 3, 12, 16, 86, 87,
D11/93, 200, 201, 206-210, 212-218,
D11/229-237; D12/195, 416;
D29/100-101.5, 122, 129, 130; D30/139,
D30/152, 153

CPC A44B 11/00; A44B 11/02; A44B 11/04;
A44B 11/05; A44B 11/06; A44B 11/10;
A44B 11/14; A44B 11/22; A44B 11/25;
A44B 11/26; A44B 11/125; A44B 11/223;
A44B 11/001; A44B 11/005; A44B
11/006; A44B 11/2503; A44B 11/2507;
A44B 11/2553; A44B 11/2592; A41F
1/008; A41F 9/002; A41F 9/007; A41F
11/06; B60R 22/30; B60R 22/32; B60R

(Continued)

Primary Examiner — Kevin K Rudzinski

Assistant Examiner — Richard Kearney

(74) *Attorney, Agent, or Firm* — Dorton & Willis, LLP

(57) **CLAIM**

The ornamental design for a chest-buckle, therefor as shown and described.

DESCRIPTION

FIG. 1 is front perspective view of a chest-buckle according to the present invention.

FIG. 2 is a rear perspective view thereof.

FIG. 3 is a front view thereof.

FIG. 4 is a rear view thereof.

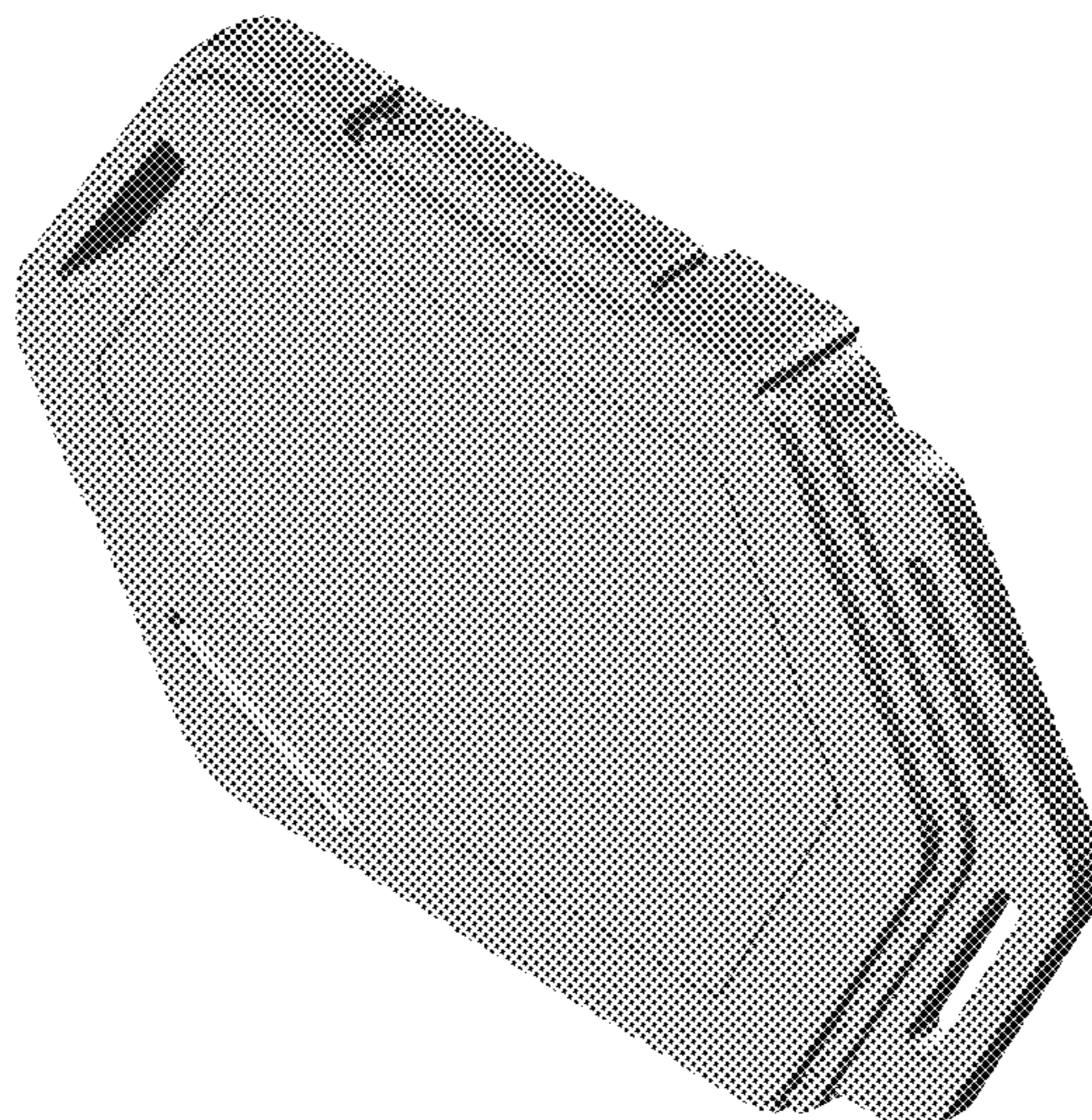
FIG. 5 is a left side view thereof.

FIG. 6 is a right side view thereof.

FIG. 7 is a top view thereof; and,

FIG. 8 is a bottom view thereof.

1 Claim, 6 Drawing Sheets



(56)

References Cited

U.S. PATENT DOCUMENTS

D819,491 S * 6/2018 Hemphill D11/200
2004/0148743 A1* 8/2004 Brunt A42B 3/08
24/132 WL
2016/0059748 A1* 3/2016 Cohen B60N 2/2884
297/183.7
2018/0000201 A1* 1/2018 Miller A41F 9/002
2018/0318631 A1* 11/2018 Siu A63B 21/4007

* cited by examiner

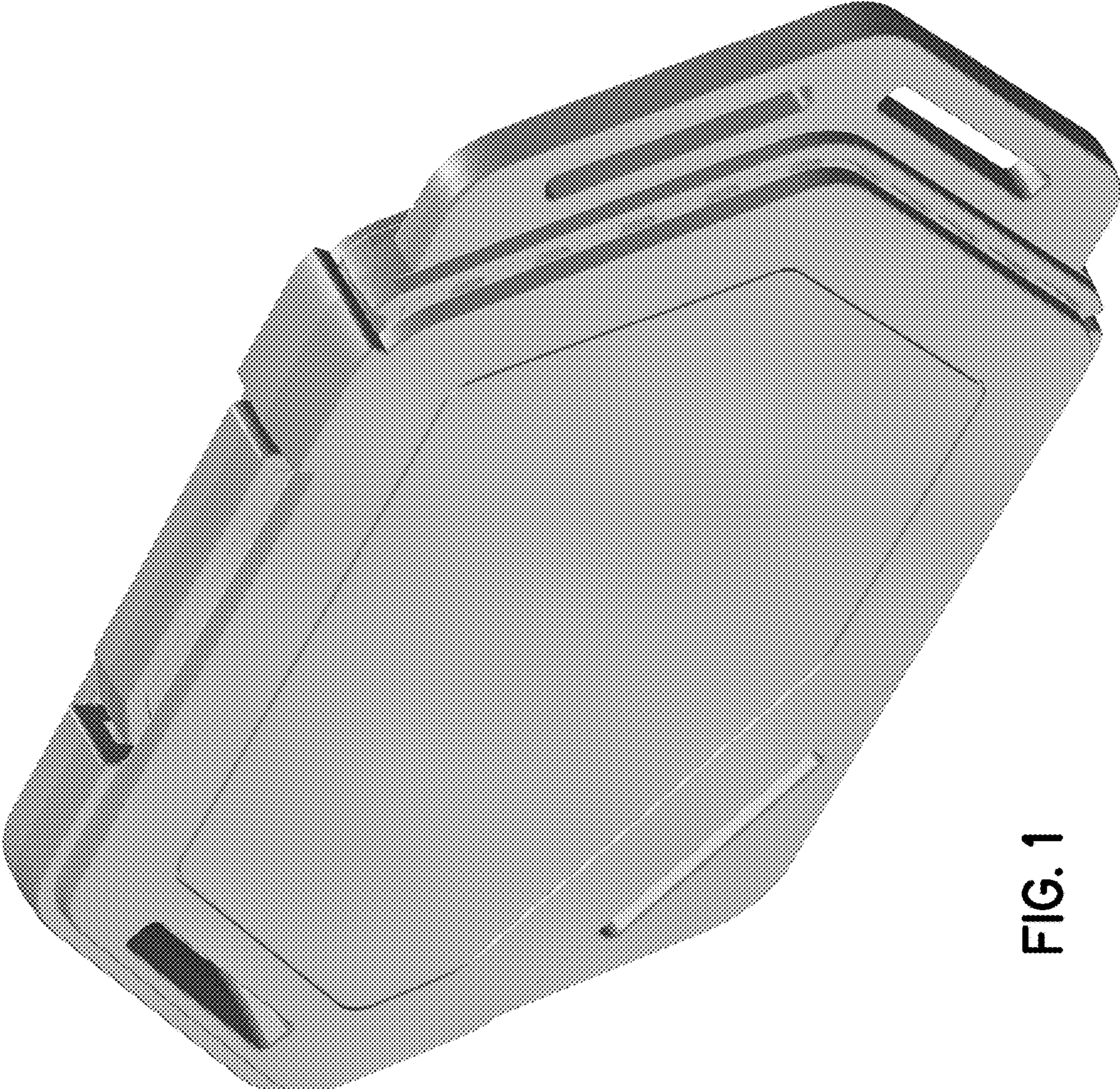


FIG. 1



FIG. 2

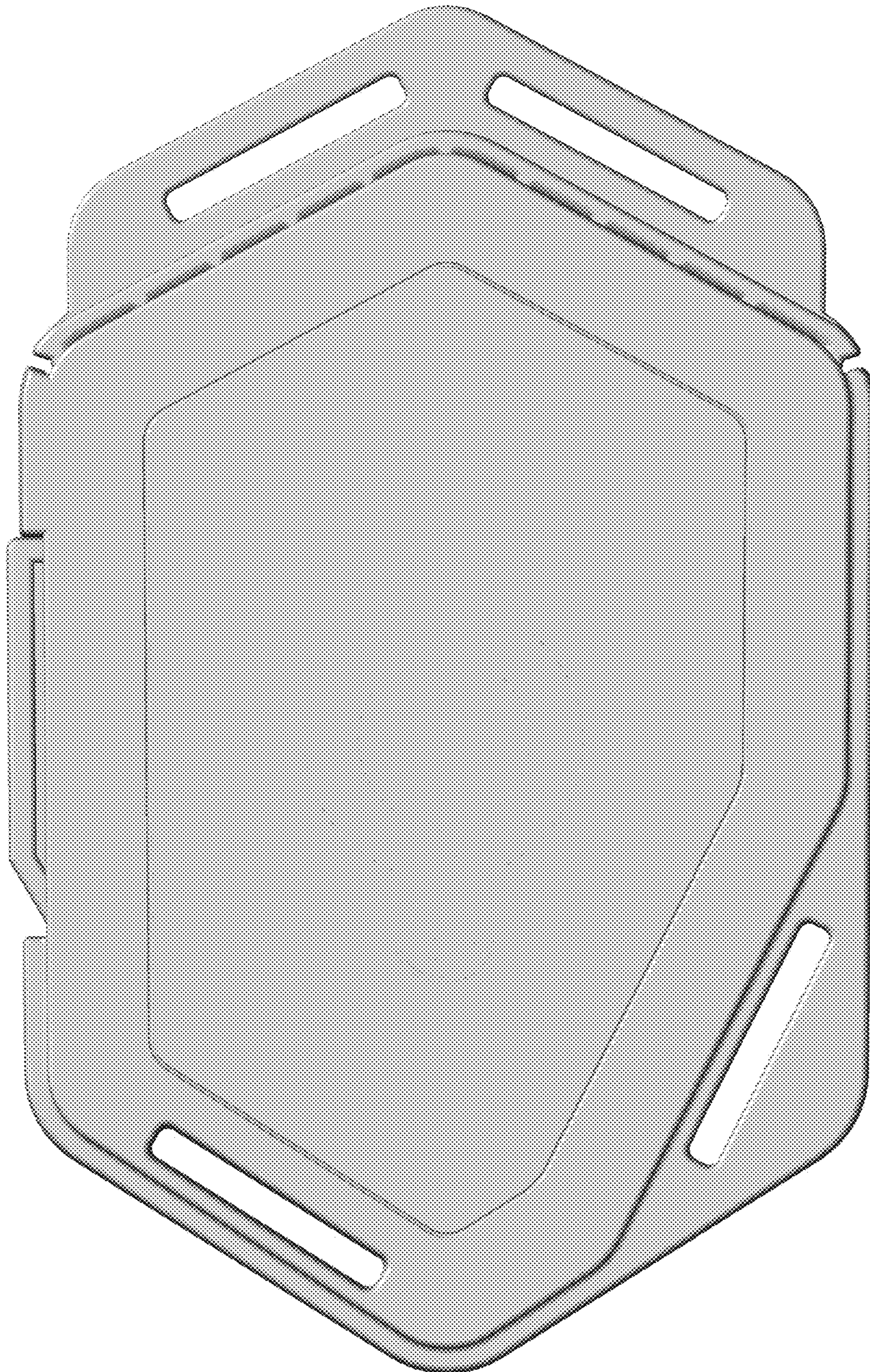


FIG. 3

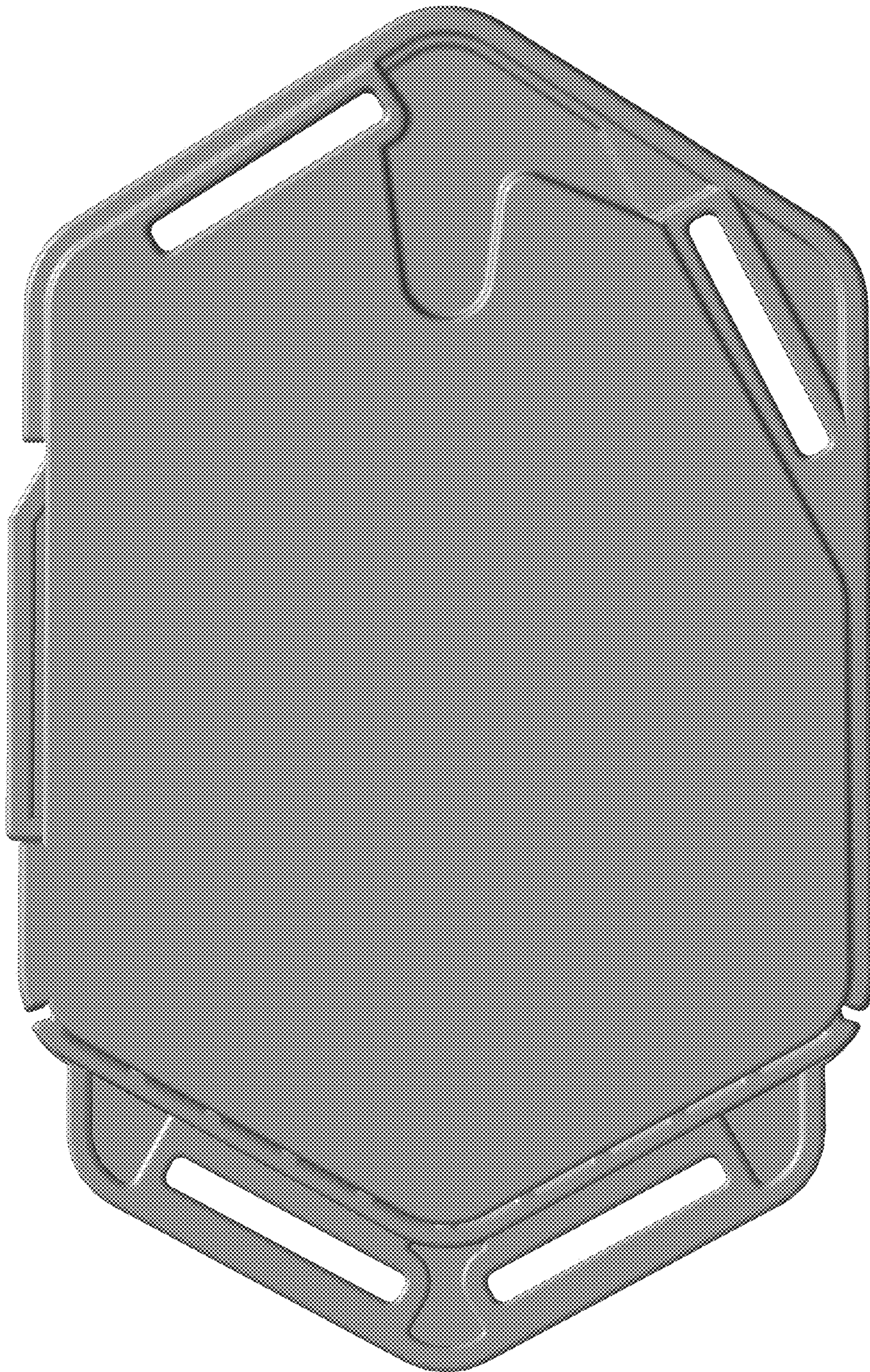


FIG. 4

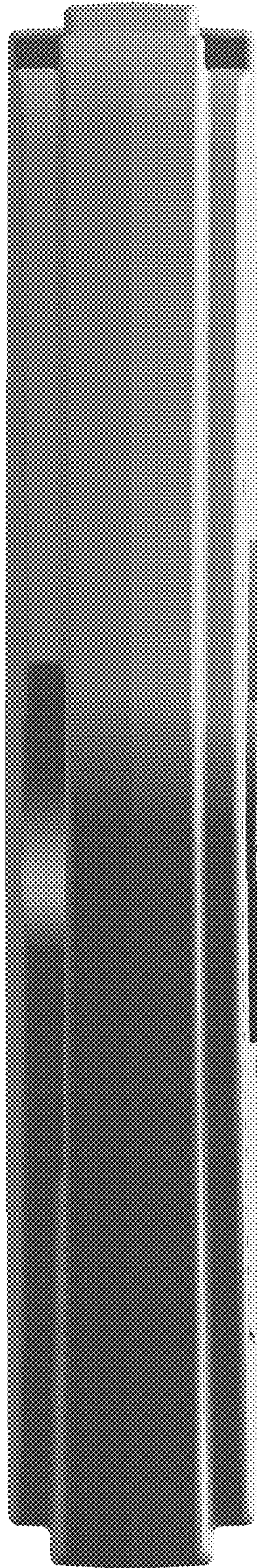


FIG. 5

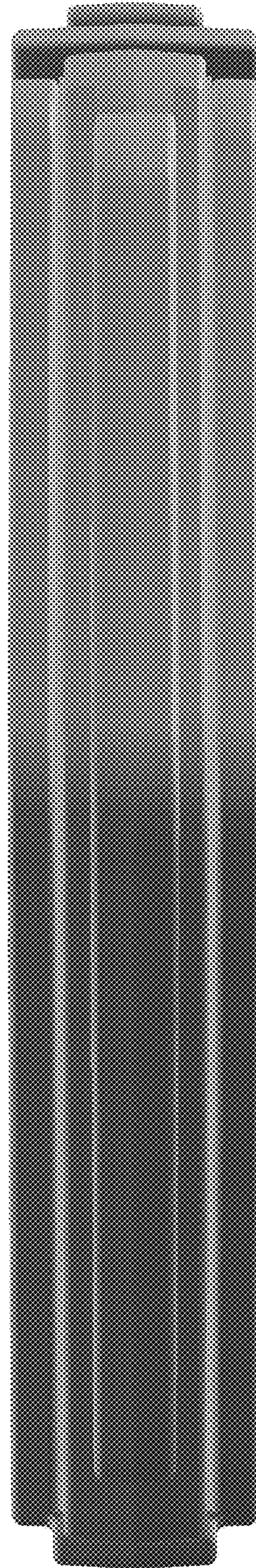


FIG. 6

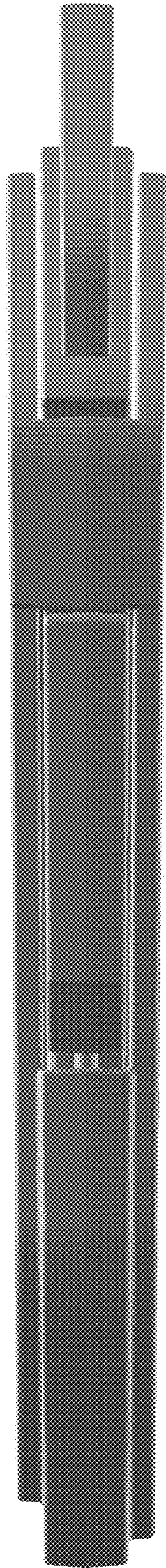


FIG. 7

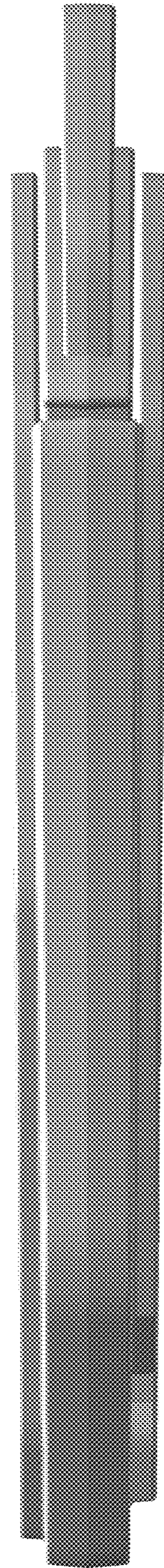


FIG. 8