



US00D853273S

(12) **United States Design Patent**
Shaw, Jr.

(10) **Patent No.:** **US D853,273 S**
(45) **Date of Patent:** **** Jul. 9, 2019**

- (54) **PLANTER**
- (71) Applicant: **Crawford Shaw, Jr.**, Fort Worth, TX (US)
- (72) Inventor: **Crawford Shaw, Jr.**, Fort Worth, TX (US)
- (73) Assignee: **In The Black Revocable Trust**, Greensboro, NC (US)
- (**) Term: **15 Years**
- (21) Appl. No.: **29/636,459**
- (22) Filed: **Feb. 8, 2018**
- (51) **LOC (11) Cl.** **11-02**
- (52) **U.S. Cl.**
USPC **D11/152**
- (58) **Field of Classification Search**
USPC D3/304, 313; D6/405-408, 556-558, D6/675, 675.1, 691; D9/428, 549; D11/143-156, 164
CPC . A01G 9/00; A01G 9/02; A01G 9/021; A01G 9/022; A01G 9/029; A01G 9/0293; A01G 9/042; A47G 7/00; A47G 7/02; A47G 7/06; A47G 7/08
See application file for complete search history.

- 3,315,410 A * 4/1967 French A01G 9/02 47/65.7
- 3,800,469 A * 4/1974 Lau, Jr. A01G 9/021 47/65.5
- 4,006,559 A * 2/1977 Carlyon, Jr. A01G 9/023 137/575
- 4,047,329 A * 9/1977 Holt A01G 9/02 220/212
- 4,173,097 A * 11/1979 Staby A01G 9/021 47/65.5
- 4,593,490 A 6/1986 Bodine
- 5,094,032 A * 3/1992 Byland A01G 9/021 47/71
- 5,199,213 A * 4/1993 Krebs A47G 7/041 248/146

(Continued)

FOREIGN PATENT DOCUMENTS

- DE 201420102995 7/2014
- FR 9913946 A 11/1999

(Continued)

Primary Examiner — Elizabeth A. Albert
(74) *Attorney, Agent, or Firm* — Eversheds Sutherland (US) LLP

(57) **CLAIM**

The ornamental design for a planter, as shown and described.

(56) **References Cited**

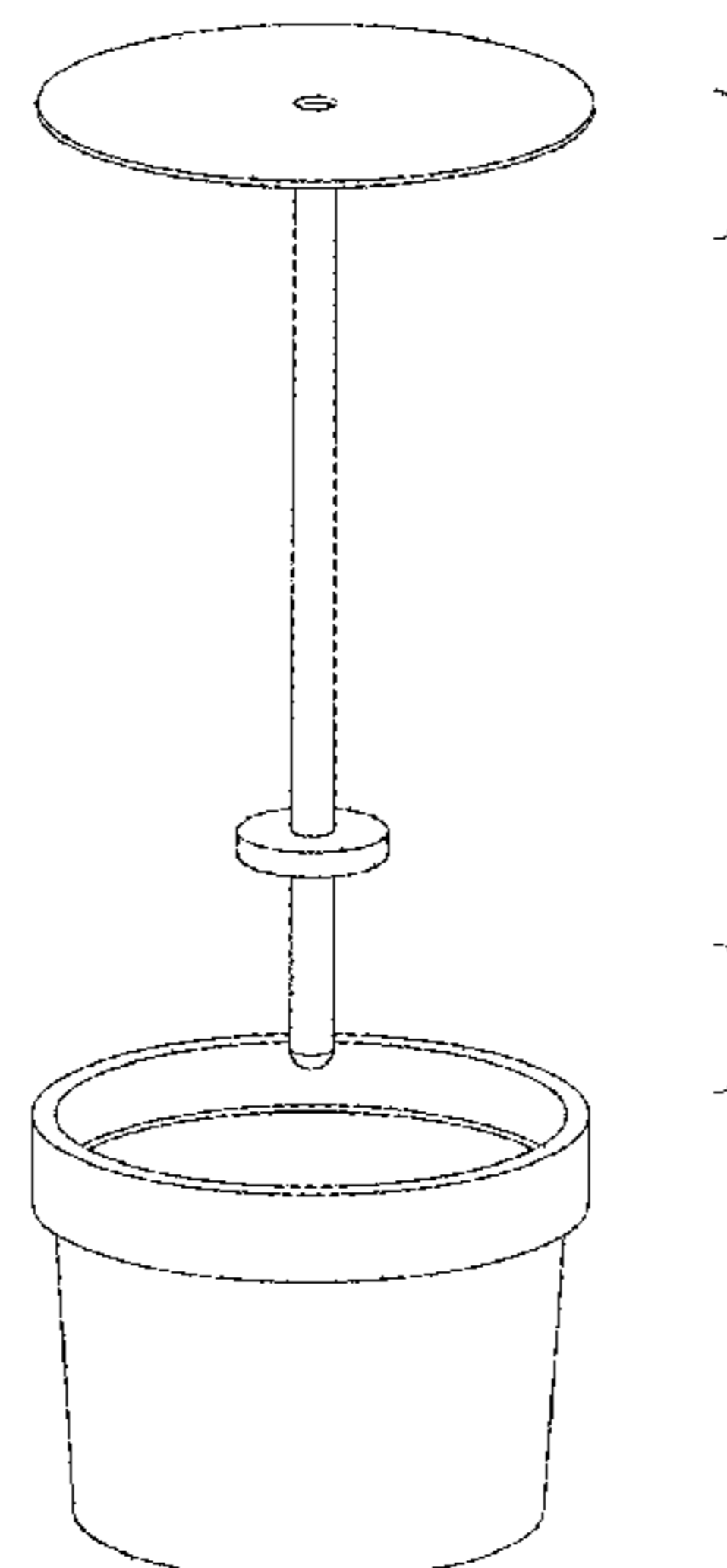
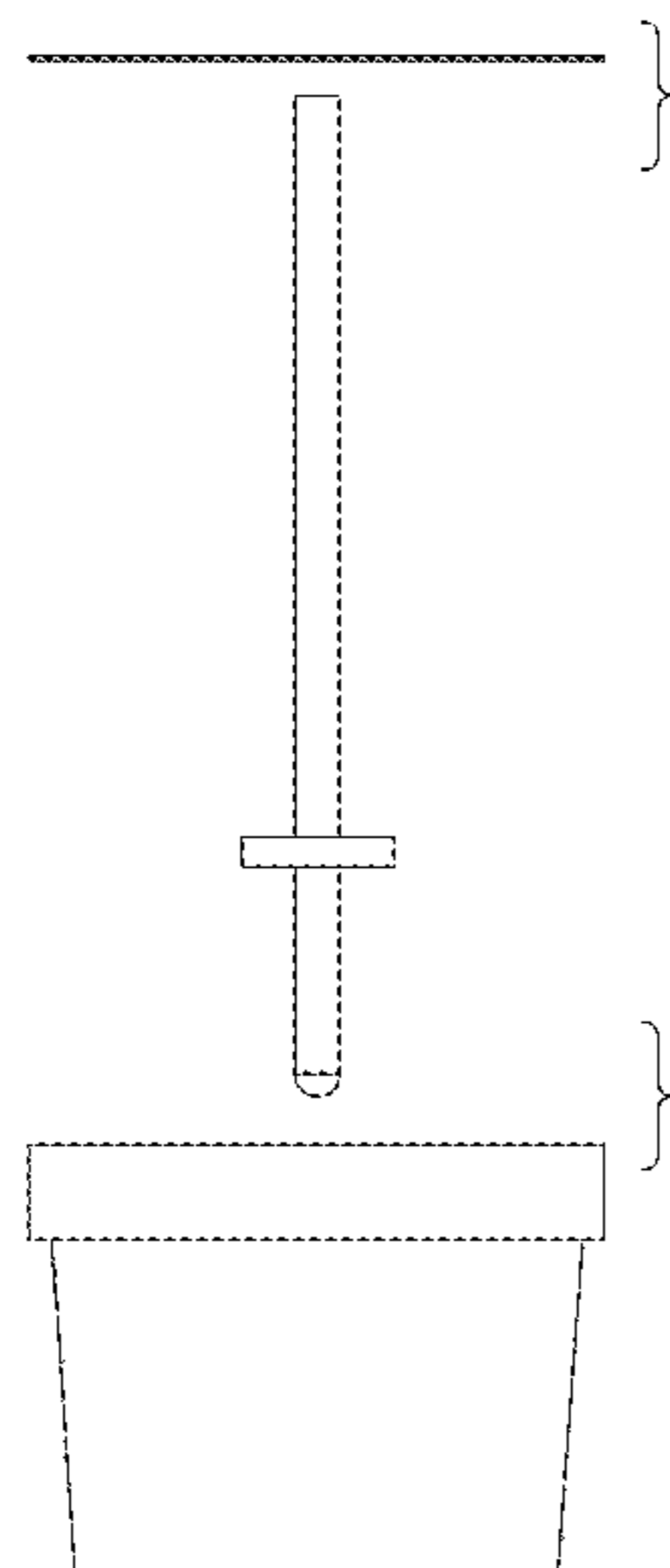
U.S. PATENT DOCUMENTS

- 915,897 A * 3/1909 Skorness A01G 13/0281 47/32
- 1,710,878 A * 4/1929 Kelso A01G 9/021 47/65.5
- 2,152,648 A * 4/1939 Jones A47G 7/085 4/251.1
- 2,854,790 A * 10/1958 Hartung A01G 9/021 206/520
- 3,165,863 A * 1/1965 Duran A01G 9/124 248/528

DESCRIPTION

FIG. 1 is an exploded front view of a planter showing my new design.
FIG. 2 is an exploded left side elevation view thereof.
FIG. 3 is an exploded right side elevation view thereof.
FIG. 4 is a top plan view thereof.
FIG. 5 is a bottom plan view thereof.
FIG. 6 is an exploded top perspective view thereof; and,
FIG. 7 is an exploded bottom perspective view thereof.

1 Claim, 5 Drawing Sheets



(56)

References Cited

U.S. PATENT DOCUMENTS

5,577,344 A * 11/1996 Zaremba A47G 7/041
108/150
5,606,824 A * 3/1997 Ruibal A01G 9/023
47/70
5,685,343 A * 11/1997 Smith A47G 7/04
138/109
D476,531 S * 7/2003 Rangel D6/681.2
D481,653 S * 11/2003 Kalema D11/143
6,665,980 B2 * 12/2003 Laske, Jr. A47G 7/041
248/128
6,912,809 B2 * 7/2005 Malofsky A01G 9/12
47/47
D838,313 S * 1/2019 Park D19/135
2008/0115414 A1 5/2008 Hogan
2009/0101046 A1 * 4/2009 Zak A47B 31/02
108/12
2016/0345509 A1 * 12/2016 Bejdova A01G 9/02
2018/0288946 A1 * 10/2018 Robell A01G 13/0281

FOREIGN PATENT DOCUMENTS

KR 20130001866 U 3/2013
KR 20130105353 A 9/2013

* cited by examiner

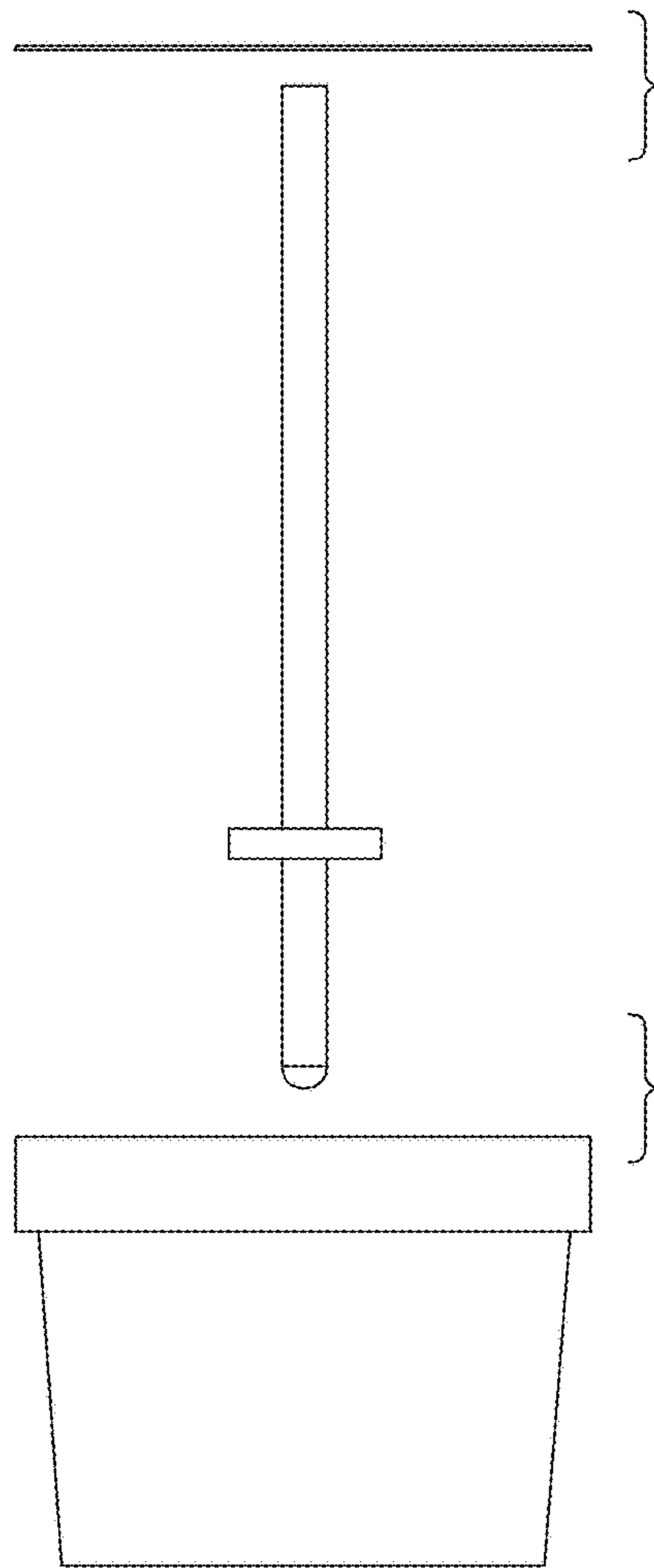


FIG. 1

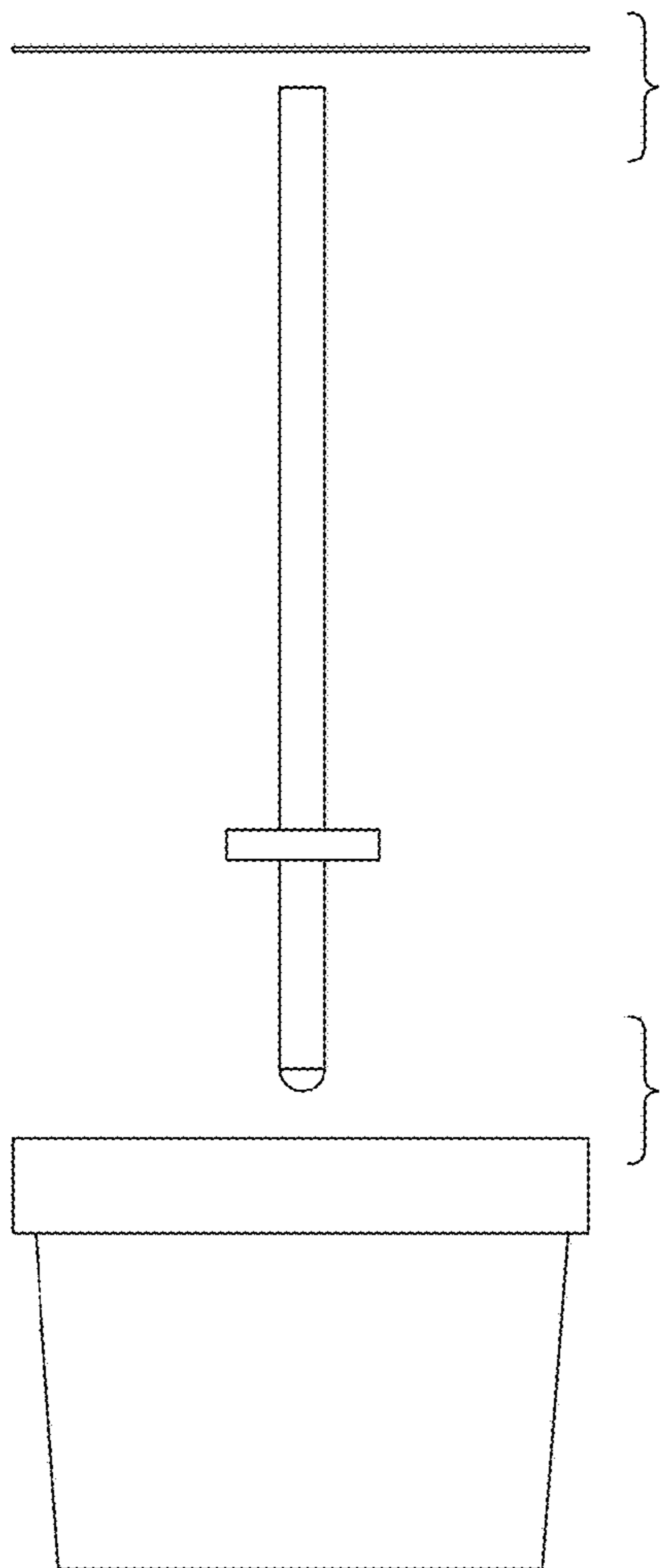


FIG. 2

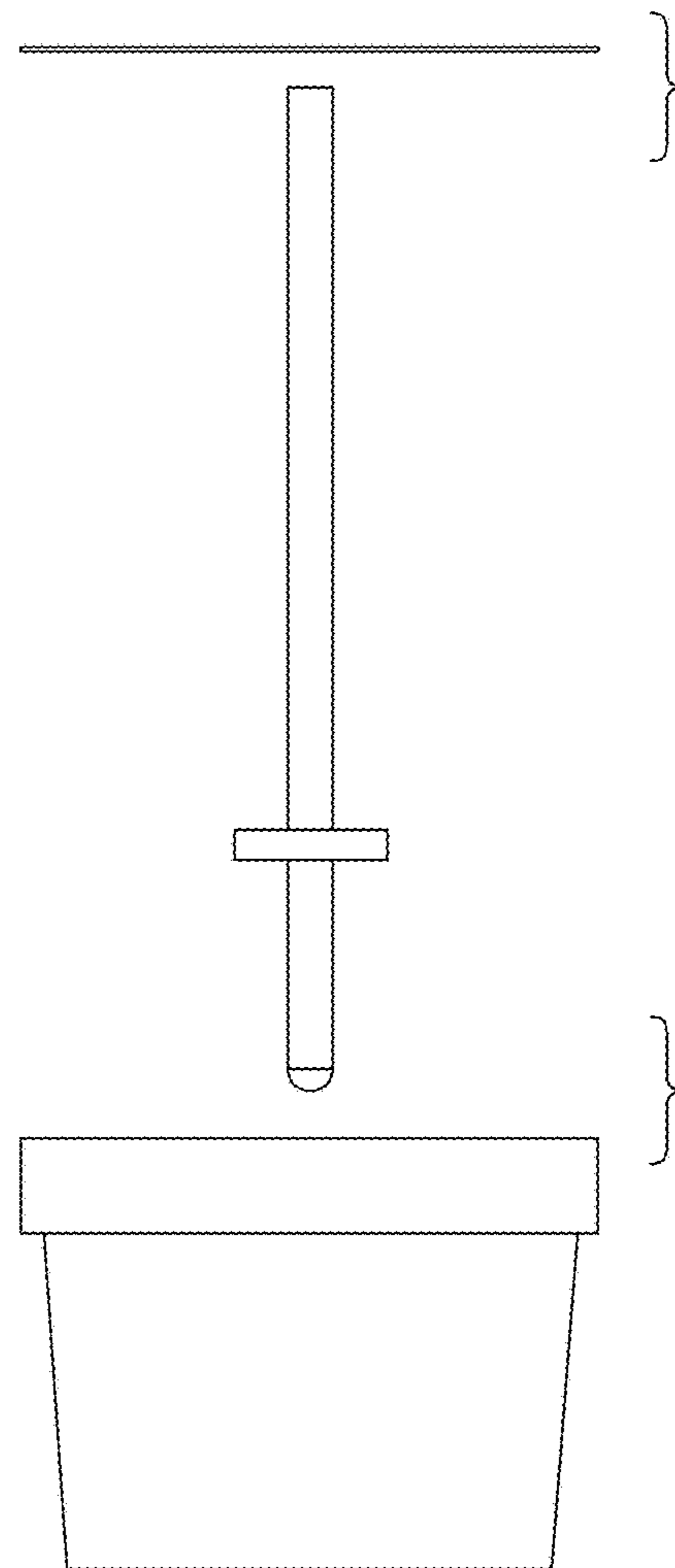


FIG. 3

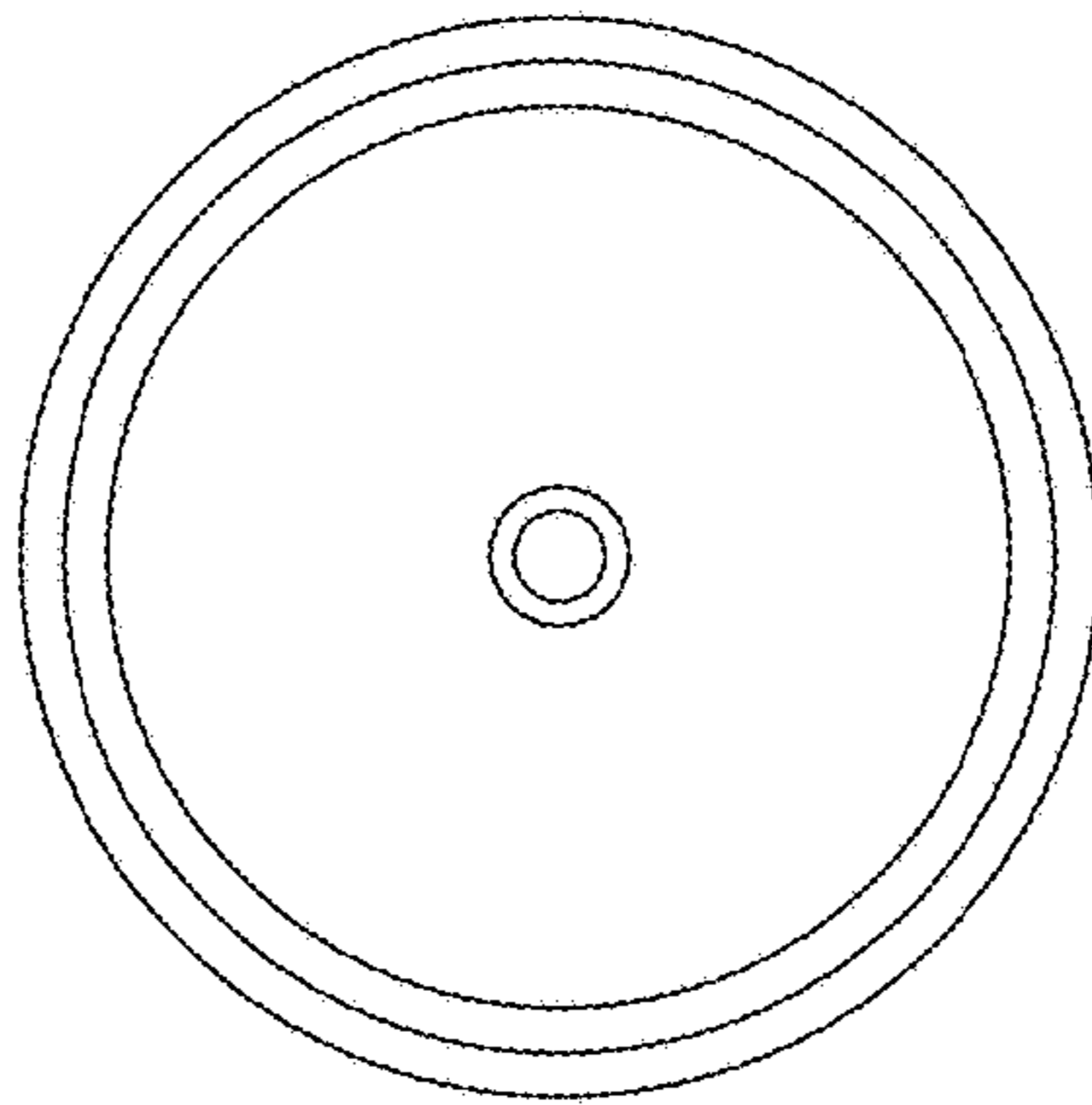


FIG. 4

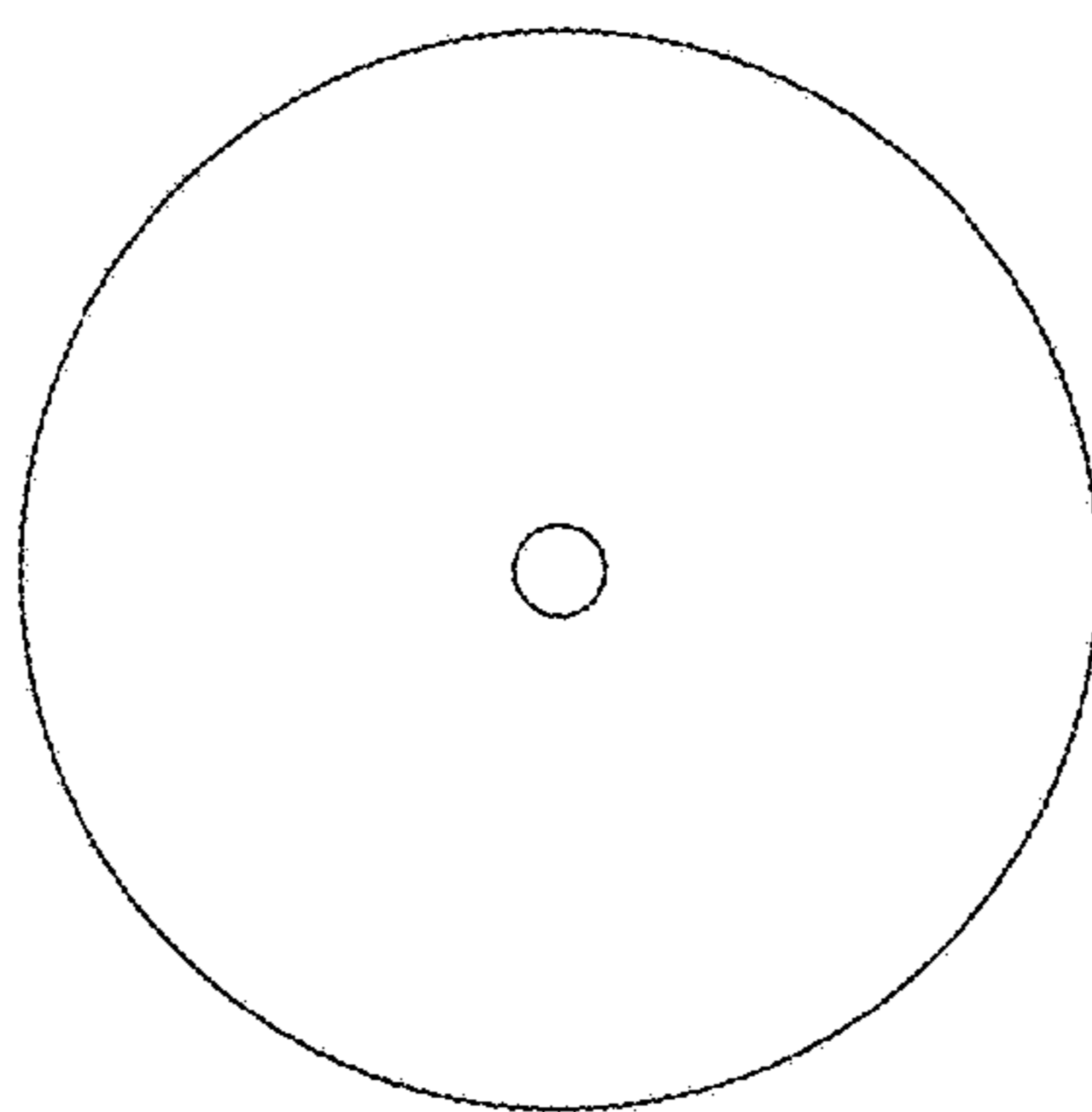


FIG. 5

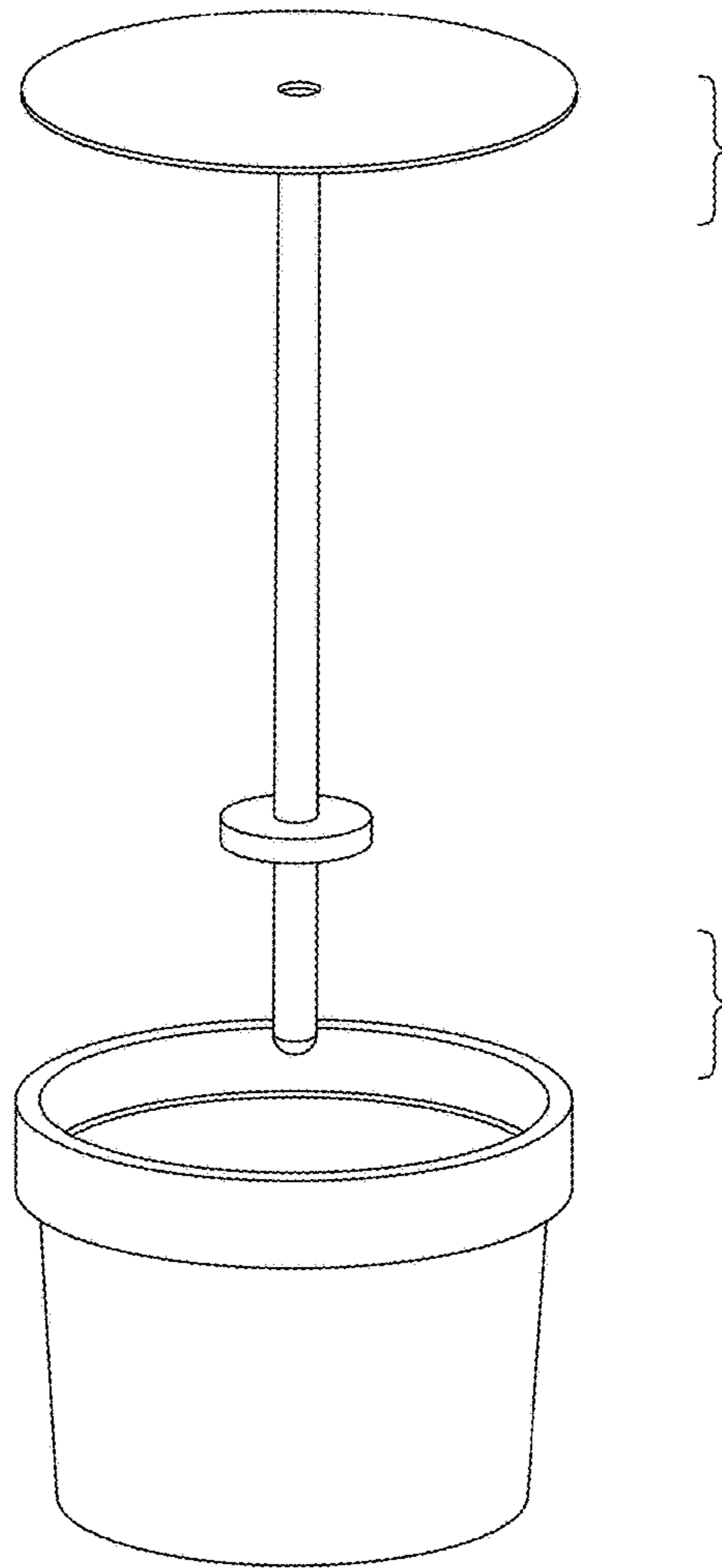


FIG. 6

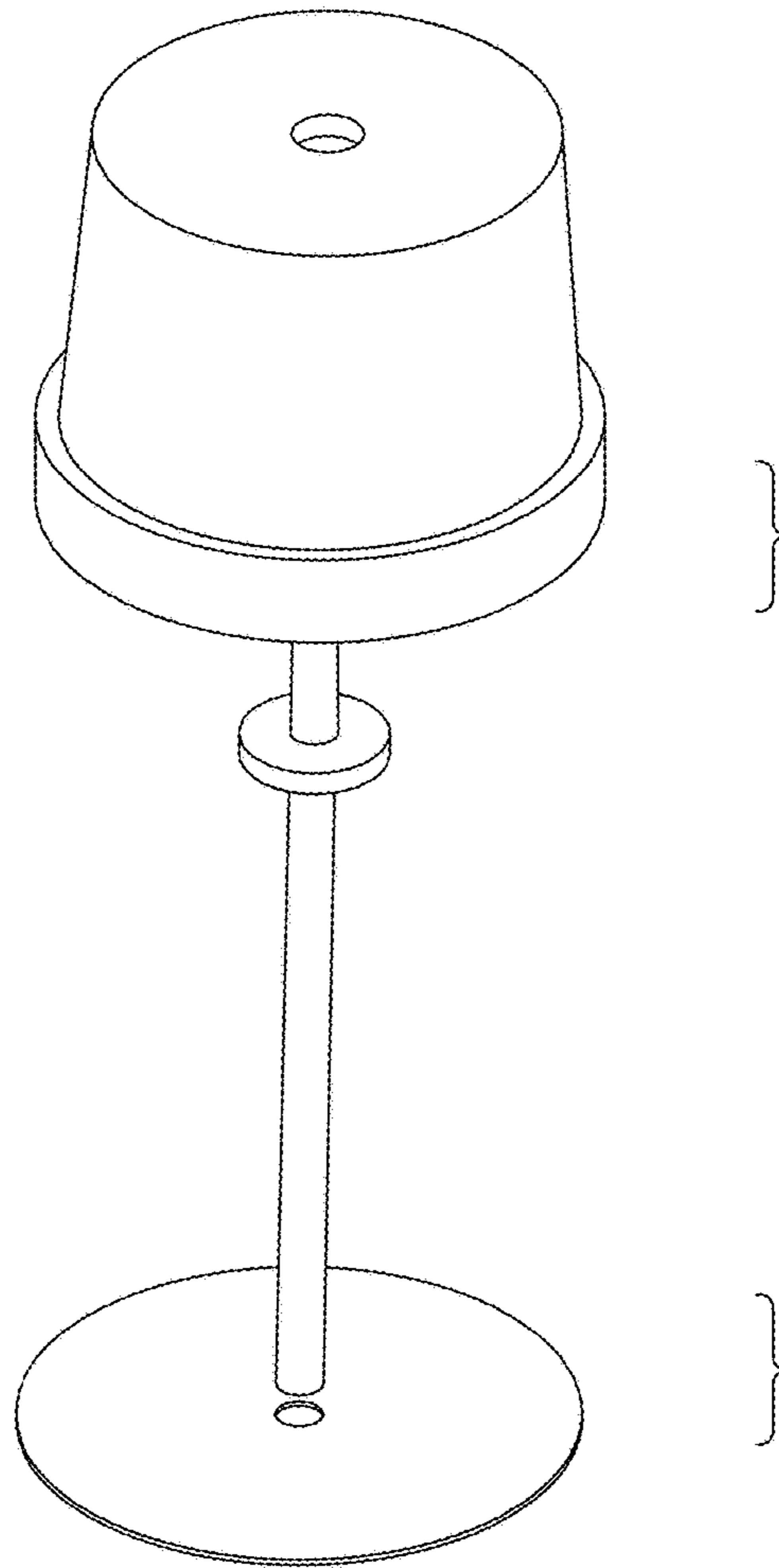


FIG. 7