



US00D853268S

(12) **United States Design Patent** (10) **Patent No.:** **US D853,268 S**
Salaskar (45) **Date of Patent:** **** Jul. 9, 2019**

- (54) **JEWELRY LOCK MECHANISM**
- (71) Applicant: **Jewelex New York, Ltd.**, New York, NY (US)
- (72) Inventor: **Mahesh Sahadev Salaskar**, Mumbai (IN)
- (73) Assignee: **JEWELX NEW YORK, LTD.**, New York, NY (US)
- (**) Term: **15 Years**
- (21) Appl. No.: **29/687,075**
- (22) Filed: **Apr. 10, 2019**
- (51) **LOC (11) Cl.** **11-01**
- (52) **U.S. Cl.**
USPC **D11/88**
- (58) **Field of Classification Search**
USPC D11/1-5, 42, 86-88
CPC A44C 7/00; A44C 9/00; A44C 15/00
See application file for complete search history.

- D588,490 S 3/2009 Momjian
- 7,878,024 B2 * 2/2011 Baik A44C 7/00
24/574.1
- 1,047,623 A1 12/2012 Eklund
- D718,650 S 12/2014 Weems
- 9,730,497 B2 8/2017 Huyah
- 10,244,832 B2 * 4/2019 Kakadiya A44C 7/003

(Continued)

Primary Examiner — Zenia I Bennett
(74) *Attorney, Agent, or Firm* — Andrew F. Young, Esq.;
Lackebach Siegel, LLP

(57) **CLAIM**

The ornamental design for a jewelry lock mechanism, as shown and described.

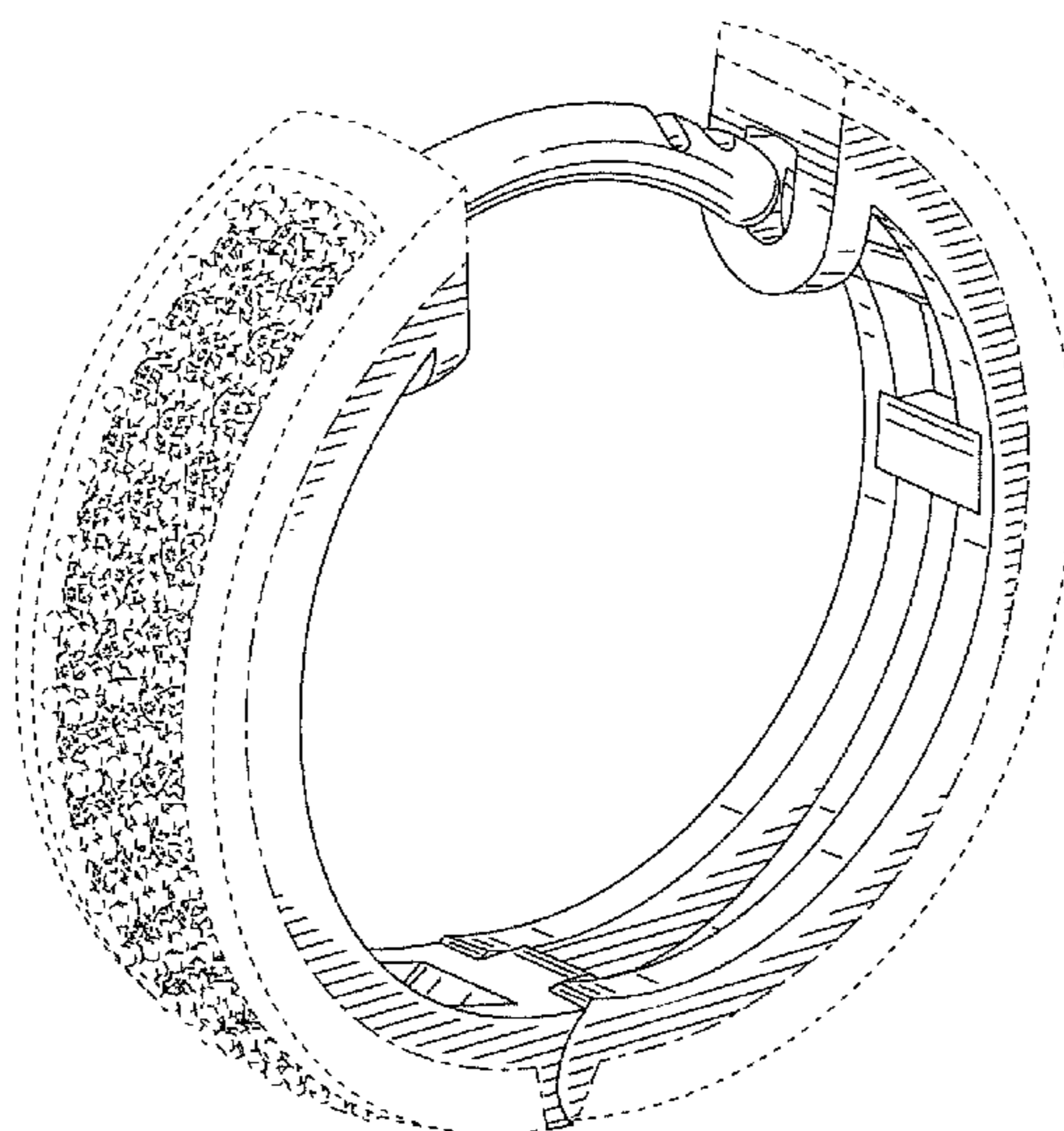
DESCRIPTION

FIG. 1 is front top perspective view of a jewelry lock mechanism showing my new design.
 FIG. 2 is a rear top perspective view thereof.
 FIG. 3 is a front elevation view thereof.
 FIG. 4 is a rear elevation view thereof.
 FIG. 5 is a left side elevation view thereof.
 FIG. 6 is a right side elevation view thereof.
 FIG. 7 is a top plan view thereof.
 FIG. 8 is a bottom plan view thereof.
 FIG. 9 is a front bottom perspective view of a portion of a jewelry lock mechanism showing my new design.
 FIG. 10 is a top front perspective view thereof.
 FIG. 11 is a front elevation view thereof.
 FIG. 12 is a rear elevation view thereof.
 FIG. 13 is a right side elevation view thereof.
 FIG. 14 is a left side elevation view thereof.
 FIG. 15 is a top plan view thereof; and,
 FIG. 16 is a bottom plan view thereof.
 No claim is made to portions which are not shown. The dash-dot-dash lining indicates claim boundary beyond which no claim is made. The dash-dash lining indicates disclaimed portions to which no claim is made.

(56) **References Cited**
U.S. PATENT DOCUMENTS

921,759	A	5/1909	Walker	
3,736,770	A	6/1973	Kelrick	
4,353,370	A	10/1982	Evans	
4,694,664	A *	9/1987	Elsener A44C 7/00 63/12
4,815,180	A *	3/1989	Elsener A44C 5/2033 24/616
D374,837	S	10/1996	Austin	
5,816,073	A	10/1998	Bardisbanyan	
6,237,367	B1	5/2001	Cheng	
6,317,941	B1	11/2001	Hamm, Jr.	
6,843,072	B1	1/2005	Lau	
D562,718	S	2/2008	Wong	
7,343,760	B2 *	3/2008	Tyler A44C 9/0038 63/12
7,347,065	B1	3/2008	DeGolyer	

1 Claim, 12 Drawing Sheets



(56)

References Cited

U.S. PATENT DOCUMENTS

2011/0056241 A1 3/2011 Li
2018/0103732 A1 4/2018 Kakadiya

* cited by examiner

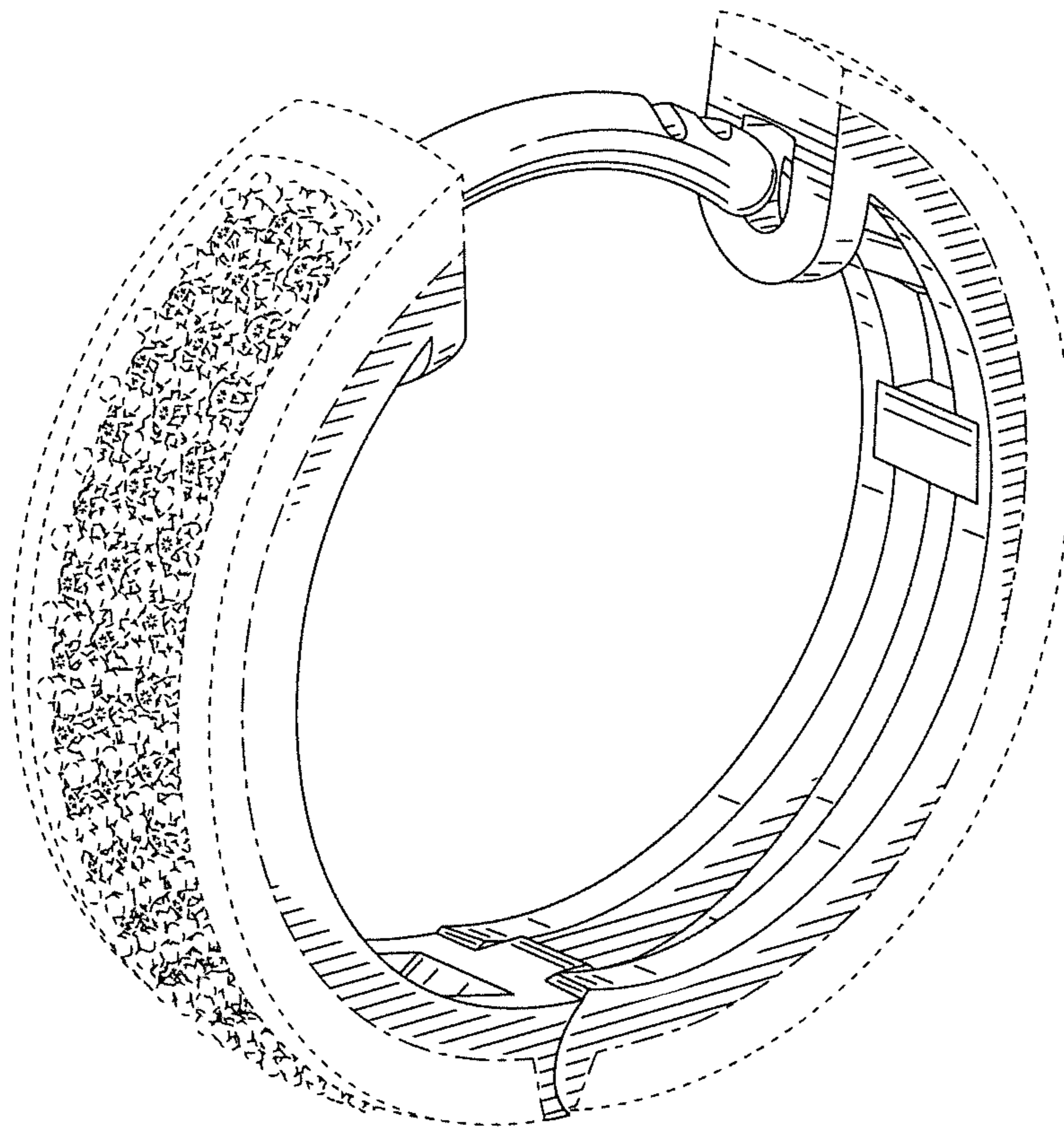


FIG. 1

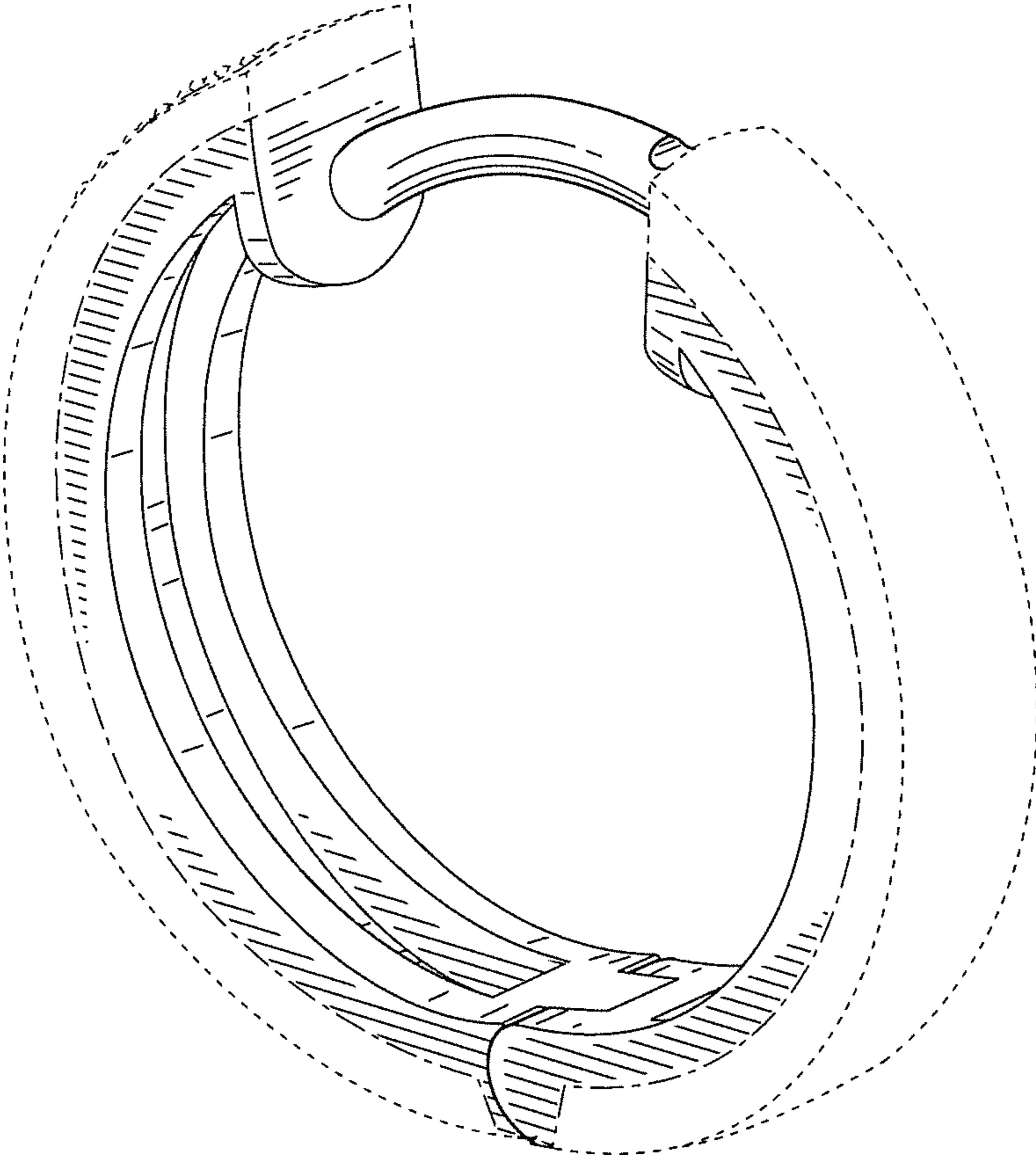


FIG. 2

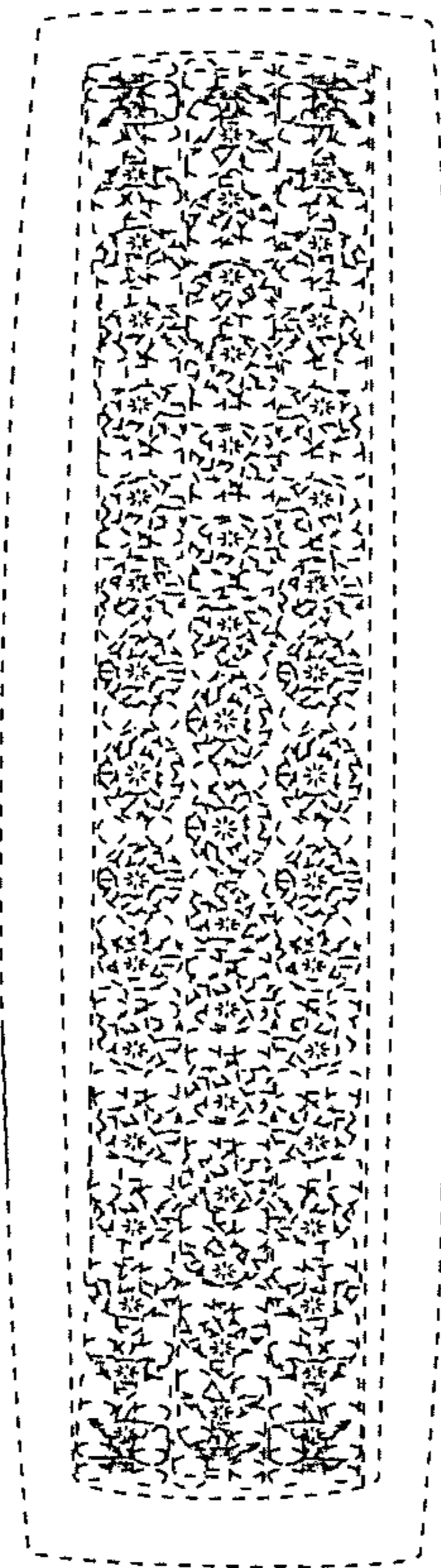


FIG. 3

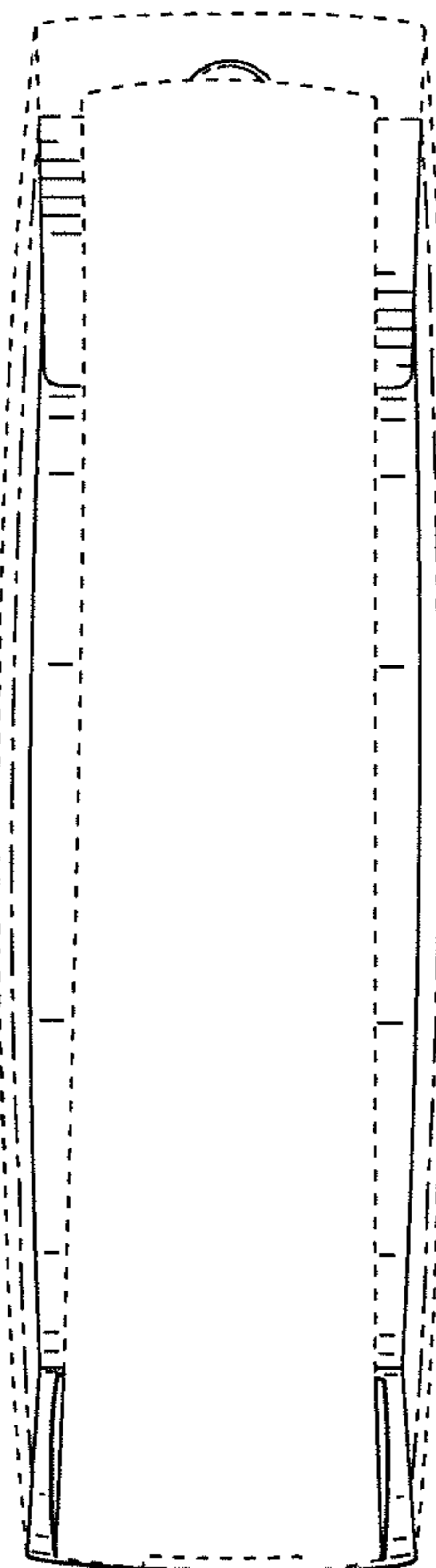


FIG. 4

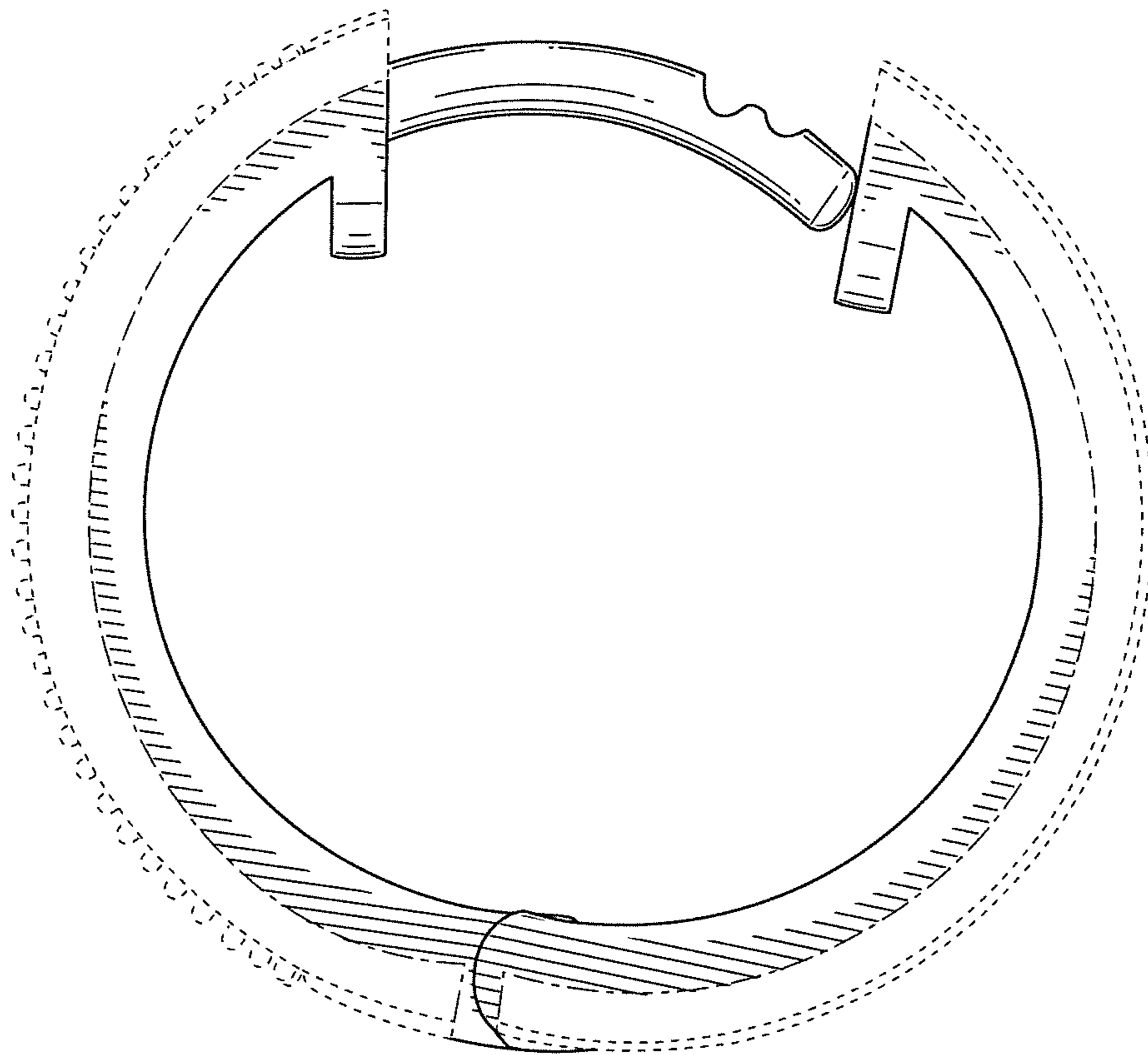


FIG. 5

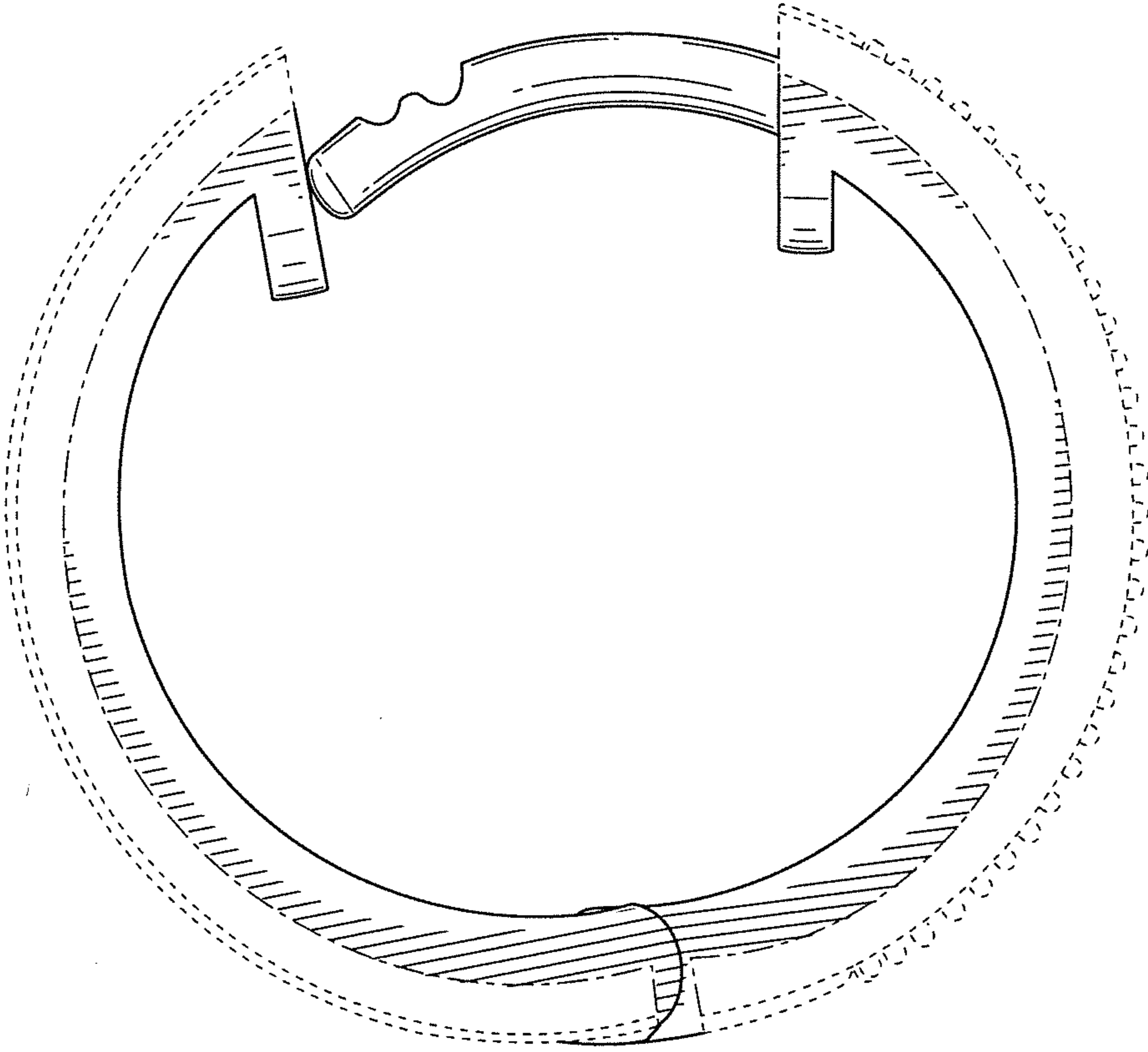


FIG. 6

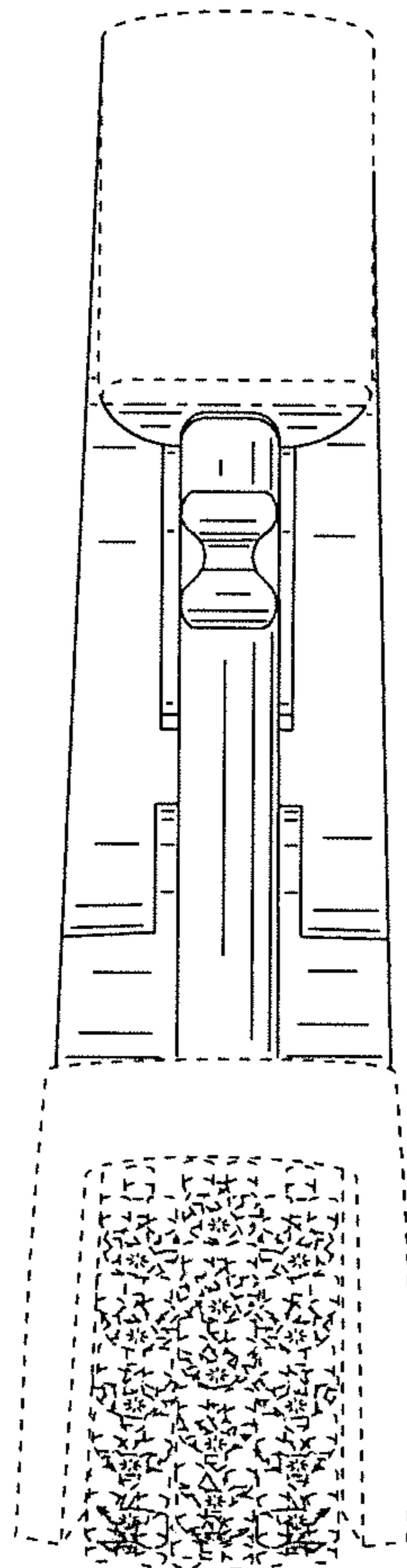


FIG. 7

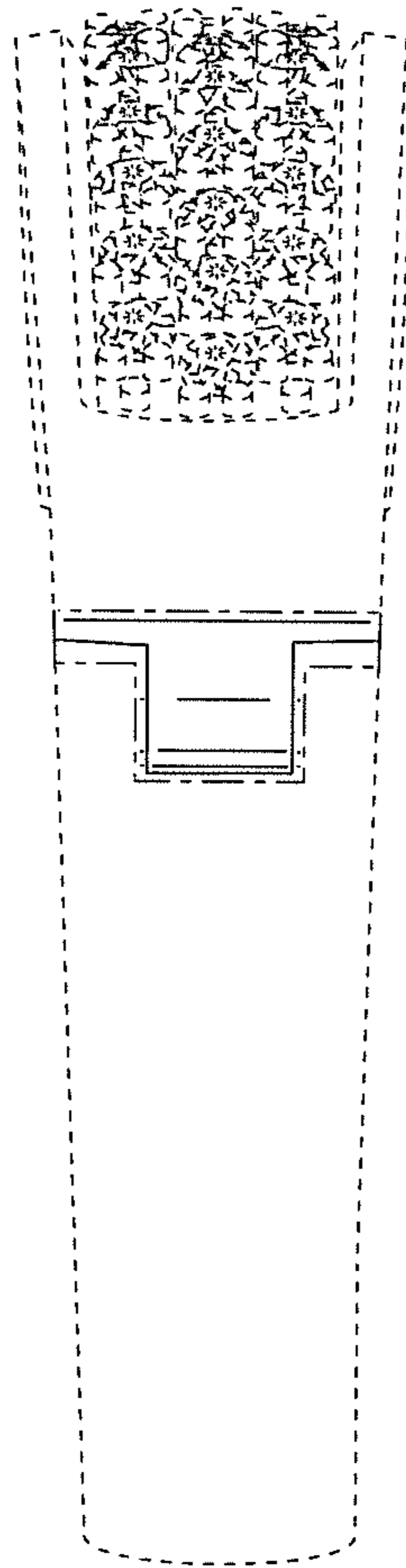


FIG. 8

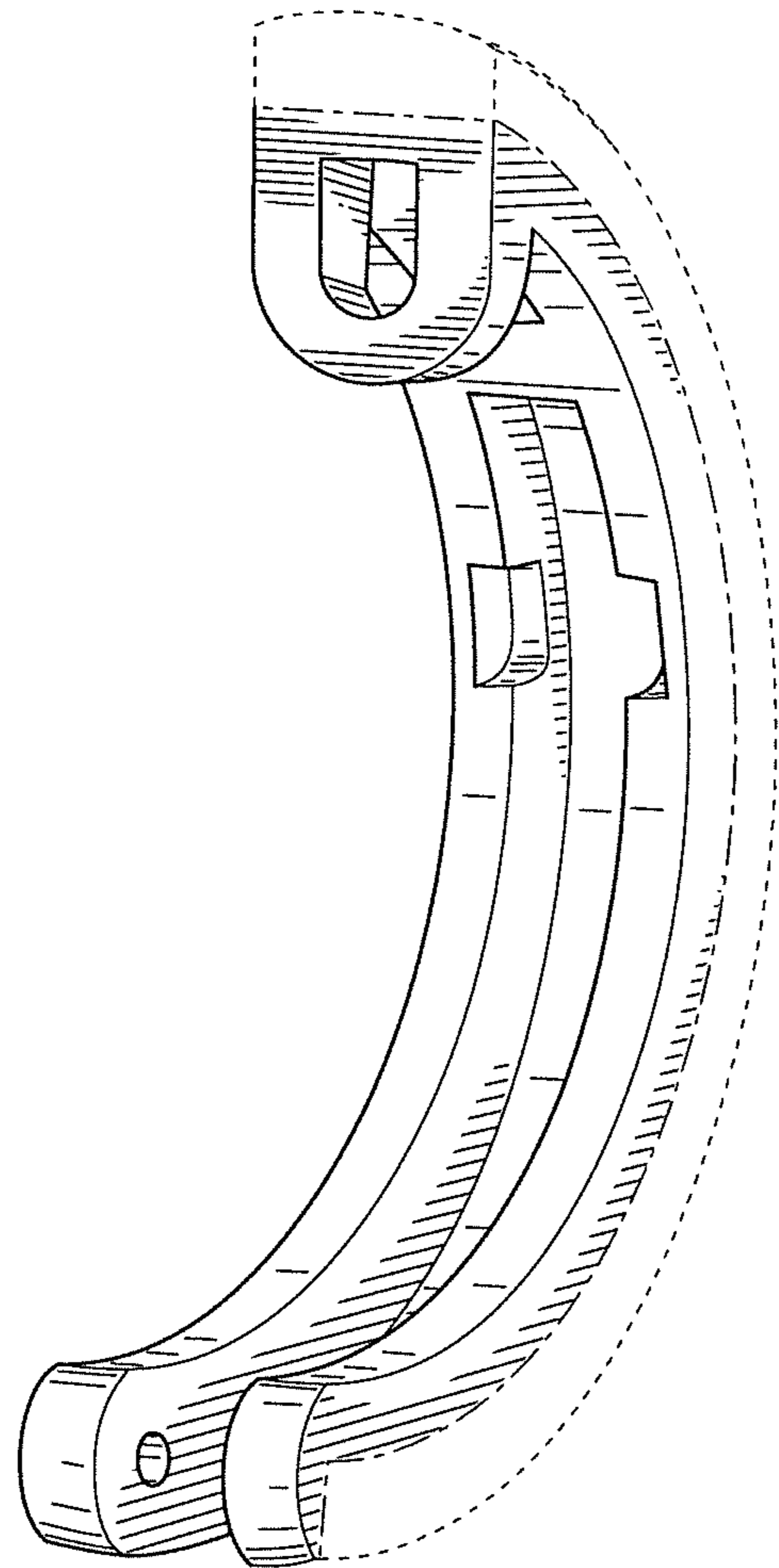


FIG. 9

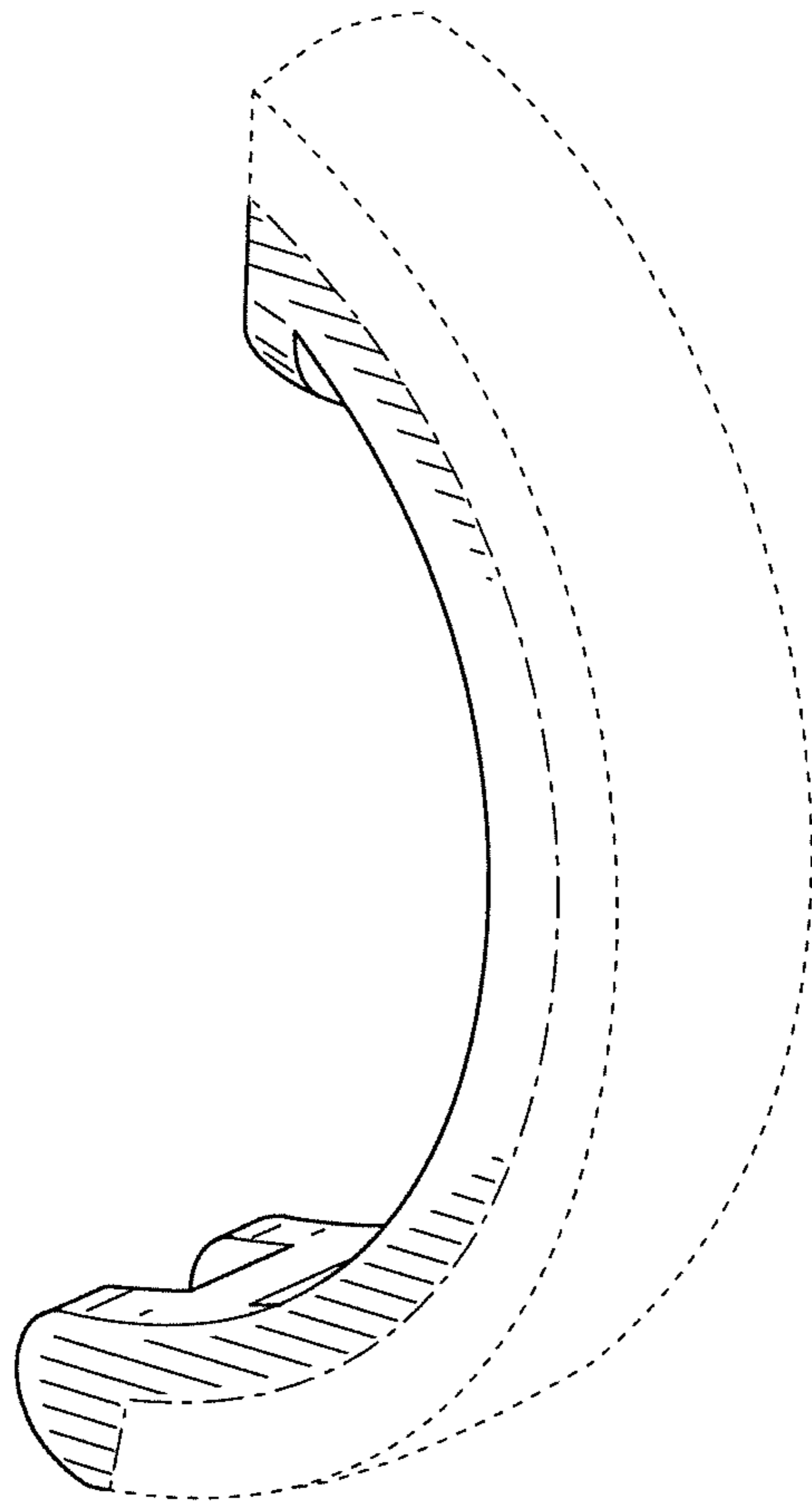


FIG. 10

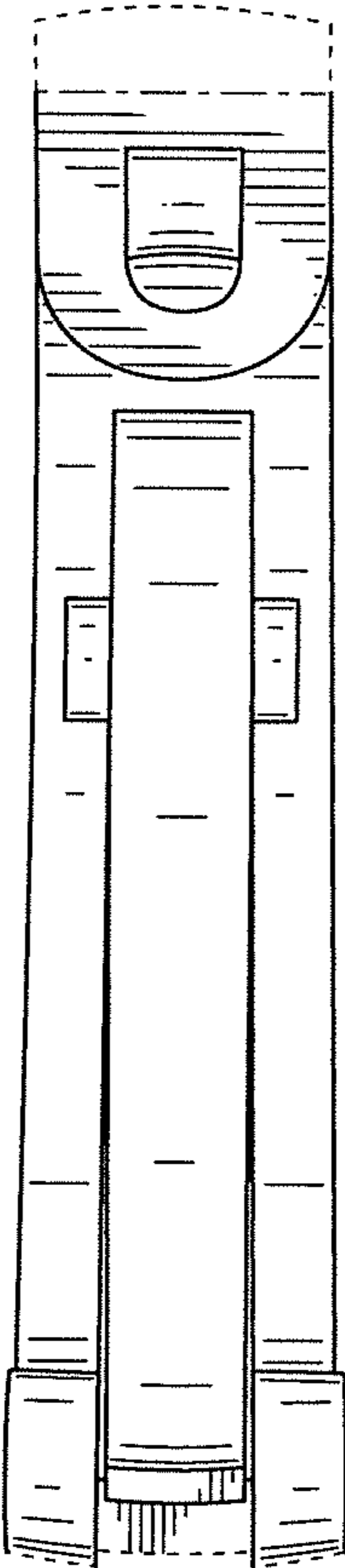


FIG. 11



FIG. 12

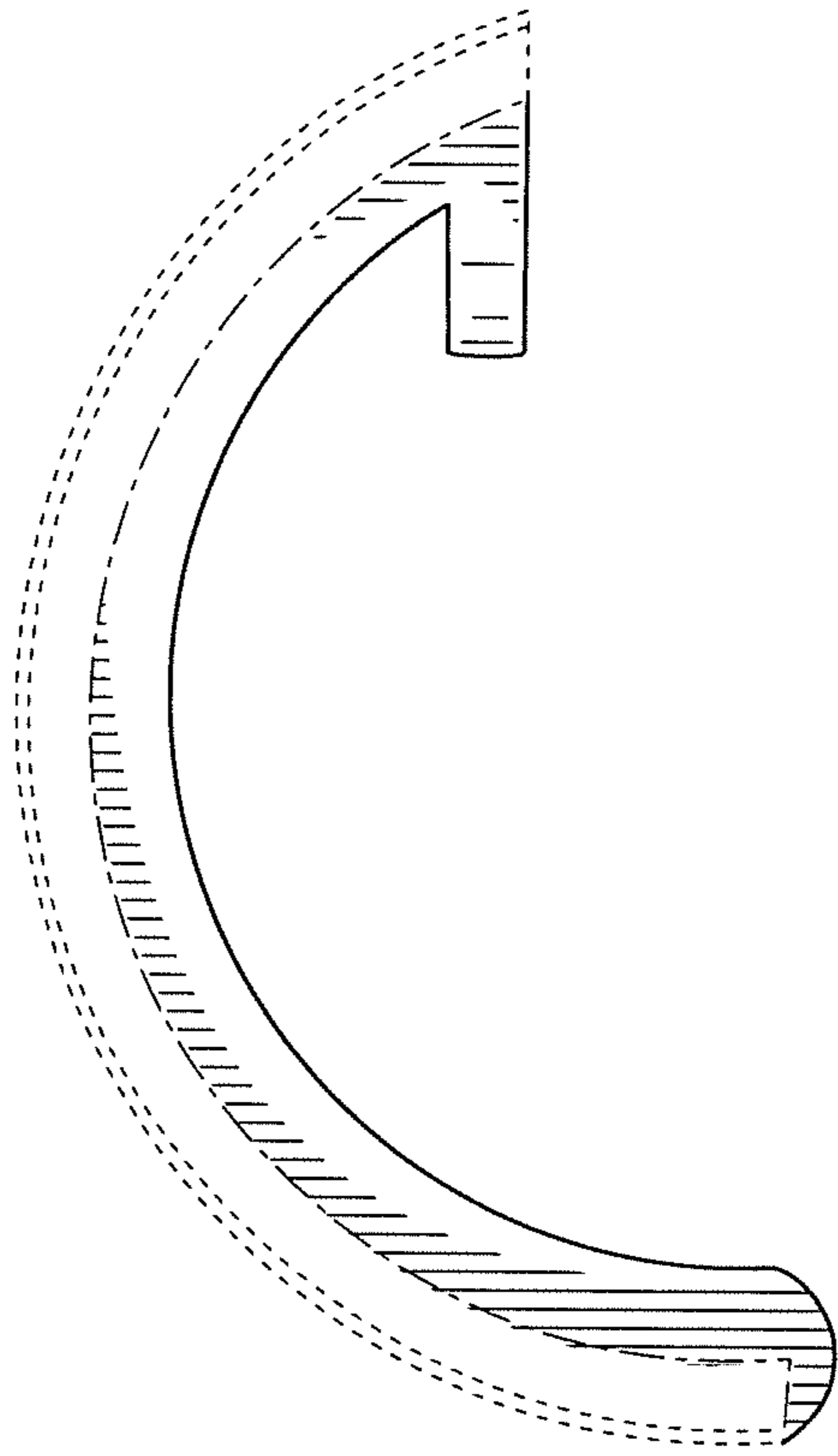


FIG. 13

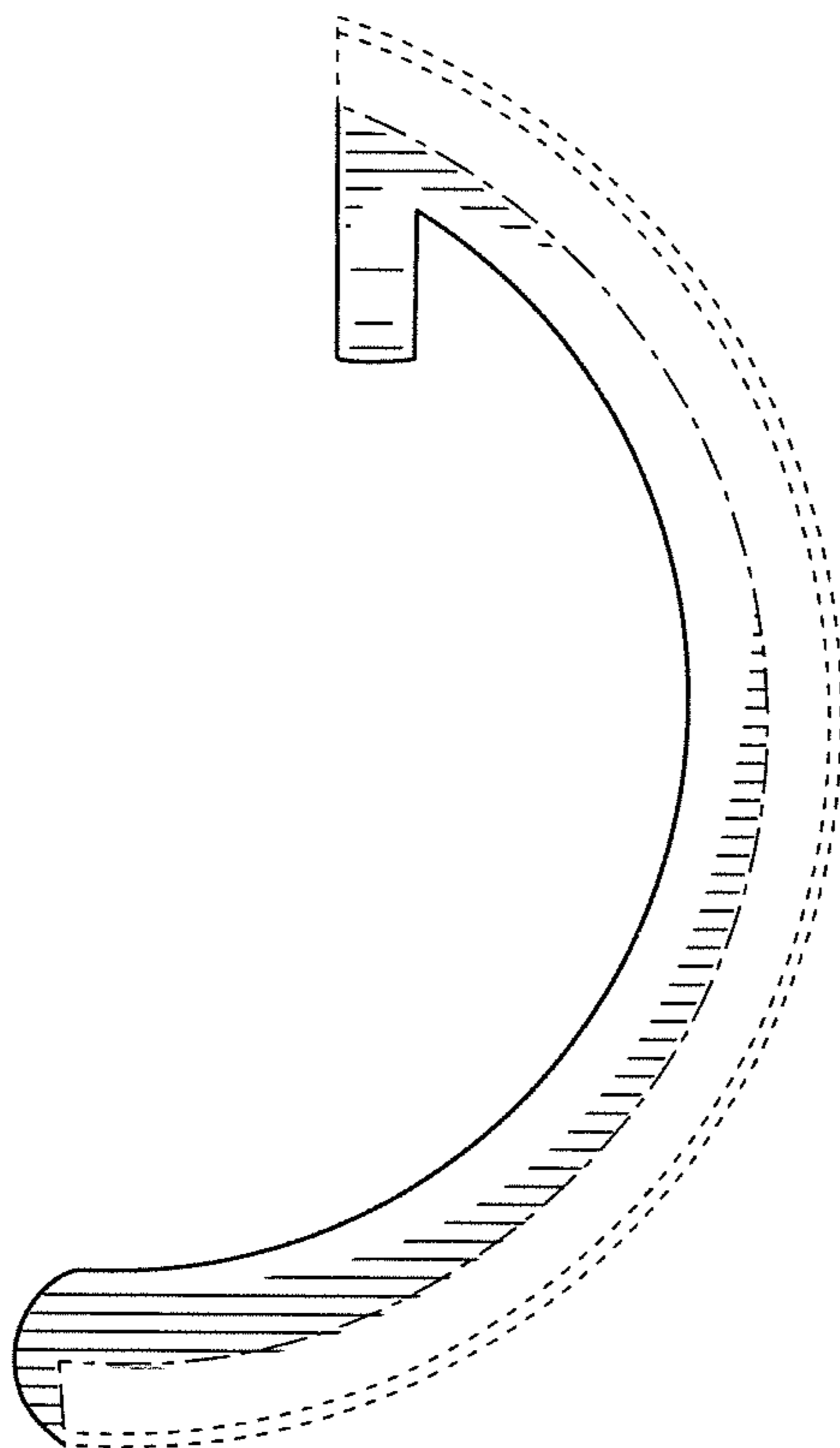


FIG. 14

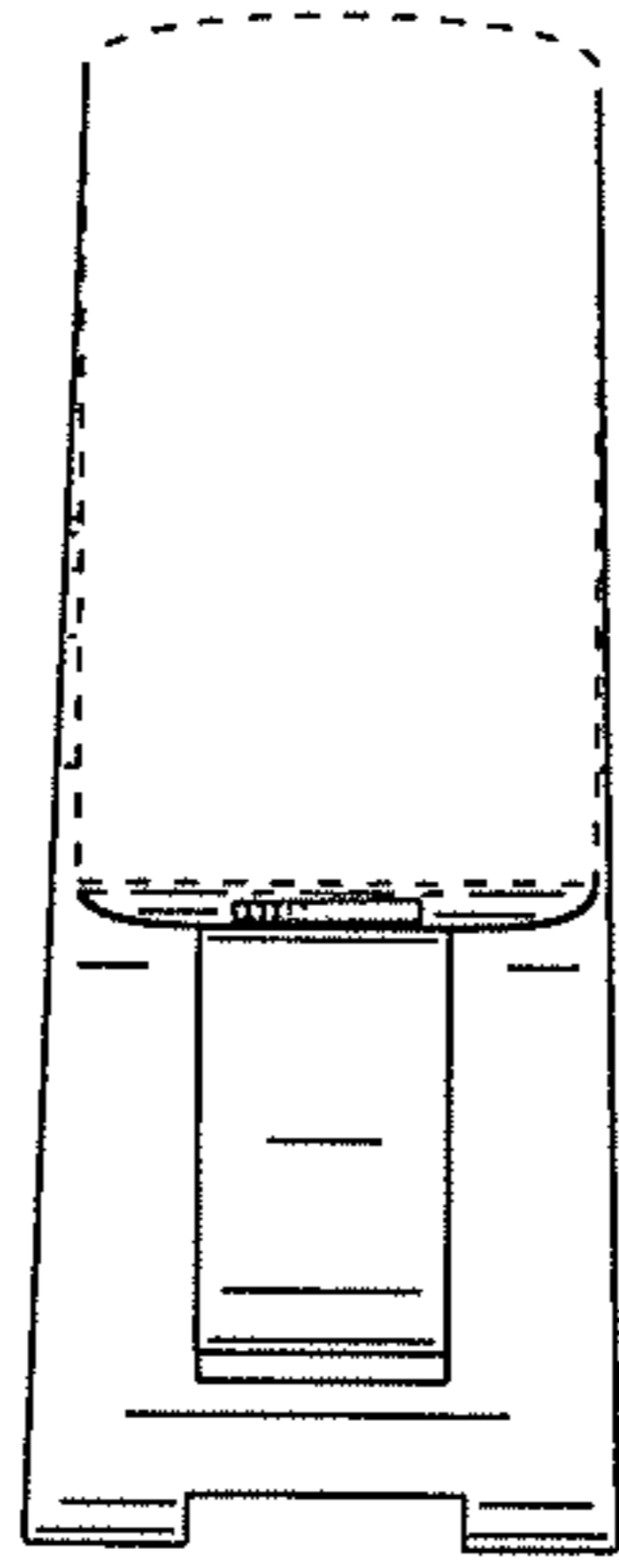


FIG. 15

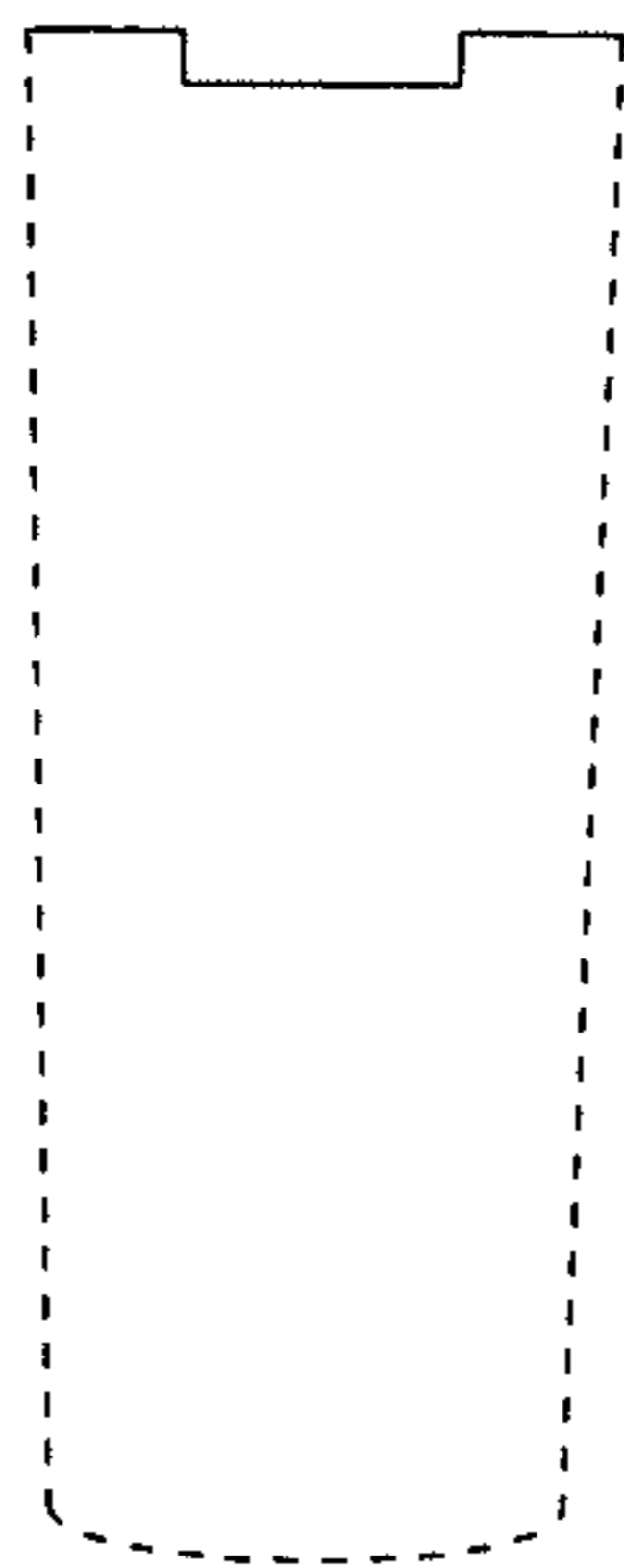


FIG. 16