



US00D853267S

(12) **United States Design Patent**
Glover

(10) **Patent No.:** **US D853,267 S**

(45) **Date of Patent:** **** Jul. 9, 2019**

(54) **WATCH BAND ADAPTER**

(71) Applicant: **Christopher A. Glover**, Solana Beach, CA (US)

(72) Inventor: **Christopher A. Glover**, Solana Beach, CA (US)

(73) Assignee: **Christopher A. Glover**, Solana Beach, CA (US)

(**) Term: **15 Years**

(21) Appl. No.: **29/637,656**

(22) Filed: **Feb. 20, 2018**

(51) **LOC (11) Cl.** **11-01**

(52) **U.S. Cl.**
USPC **D11/86**

(58) **Field of Classification Search**
USPC D11/86, 87; D19/65; D28/39
CPC A44C 5/00; A44C 5/20; A44C 5/24; A44C 5/243; A44C 5/246
See application file for complete search history.

(56) **References Cited**

U.S. PATENT DOCUMENTS

4,564,308	A *	1/1986	Ikegami	A44C 5/14
					224/164
D321,209	S *	10/1991	Hikomori	D19/100
D383,787	S *	9/1997	Shyu	D19/65
D623,230	S *	9/2010	Ray	D19/65
8,380,258	B2 *	2/2013	Kim	H01R 13/2421
					455/575.1
8,613,544	B2 *	12/2013	Kitahara	B29C 70/70
					368/282
8,790,004	B2 *	7/2014	Chatelain	G04B 37/0008
					368/282

9,092,012	B2 *	7/2015	Dornhege	G04B 37/1493
9,289,036	B2 *	3/2016	Catheline	A44C 5/107
9,314,071	B2 *	4/2016	Rivera	A44C 5/14
2014/0250637	A1 *	9/2014	Stotz	G04B 37/1493
					24/265 B

* cited by examiner

Primary Examiner — Zenia I Bennett

(57) **CLAIM**

The ornamental design for a watch band adapter system, as substantially shown and described.

DESCRIPTION

FIG. 1 is a perspective view of a watch band adapter of the present invention;

FIG. 2 is a top view of the watch band adapter of the present invention, the bottom view being a mirror image thereof;

FIG. 3 is a right side view of the watch band adapter of the present invention, the left side view being a mirror image thereof;

FIG. 4 is a front view of the watch band adapter of the present invention;

FIG. 5 is a rear view of the watch band adapter of the present invention;

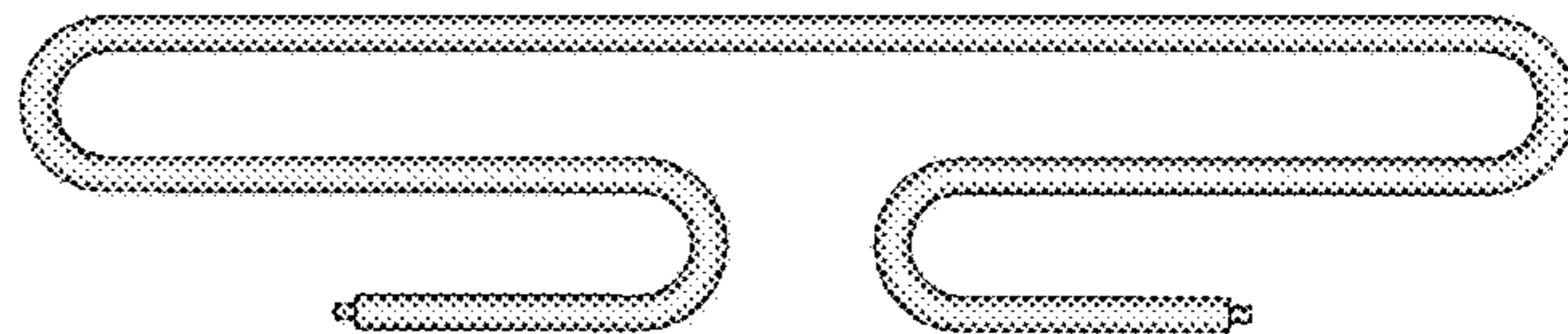
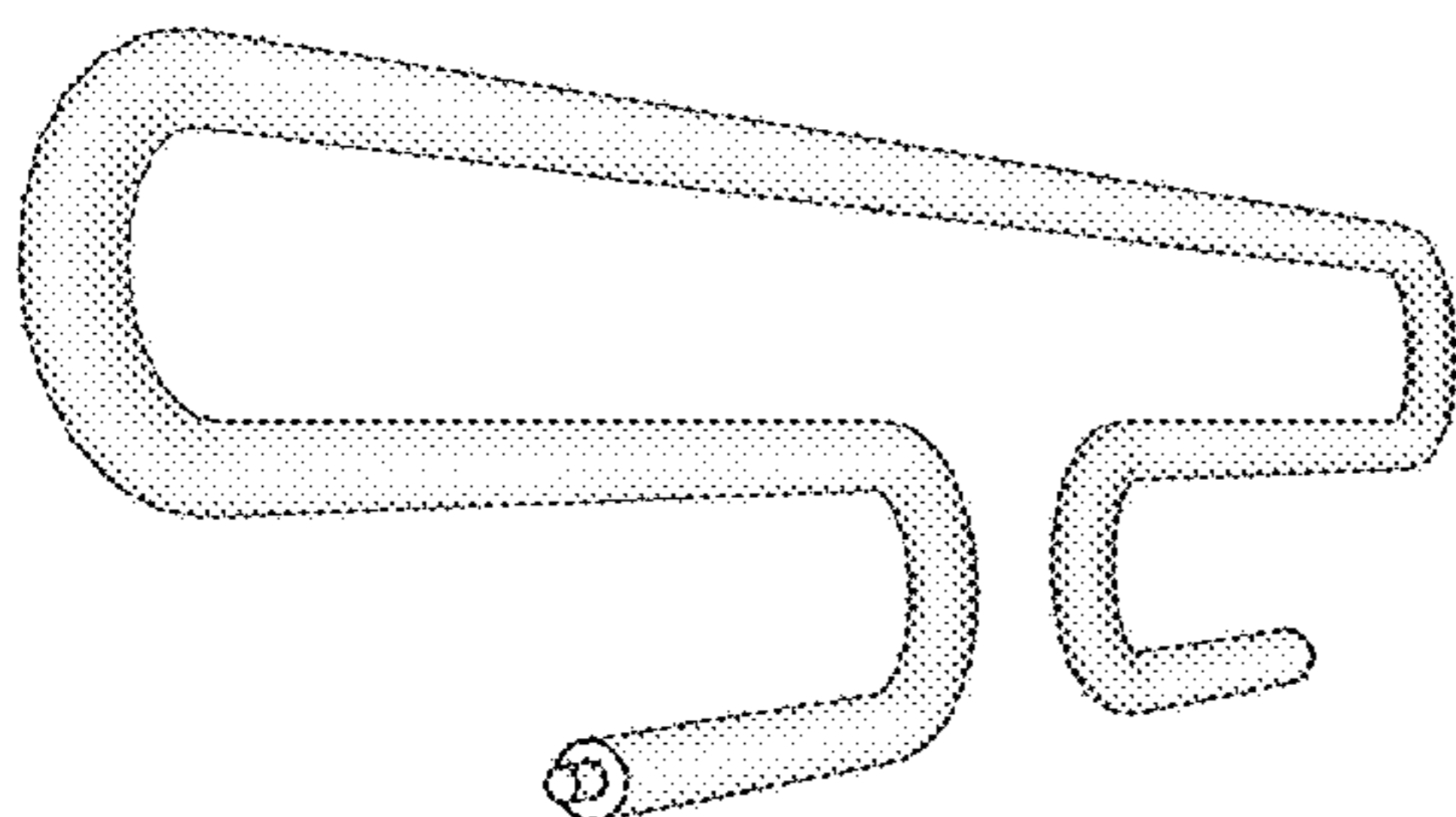
FIG. 6 is a top view of a pair of watch band adapters of the present invention installed on a watch;

FIG. 7 is a top view of a pair of watch band adapters of the present invention installed on a watch with a watch band; and,

FIG. 8 is a bottom view of a pair of the watch band adapters of the present invention installed on a watch with a watch band.

The broken line showing details in the Figures is included for the purpose of illustrating environment of the watch band adapter system and forms no part of the claimed design.

1 Claim, 3 Drawing Sheets



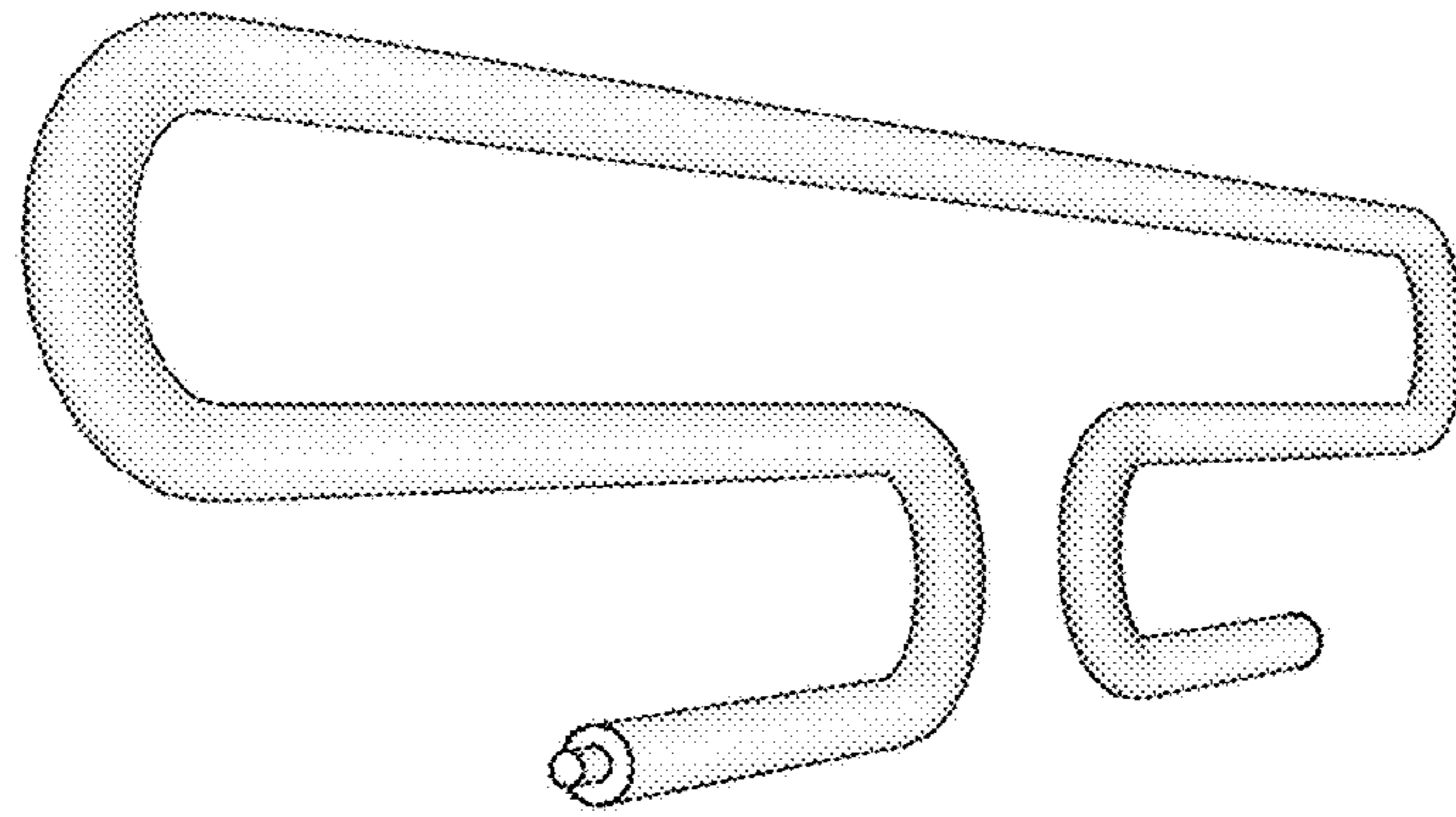


FIG. 1

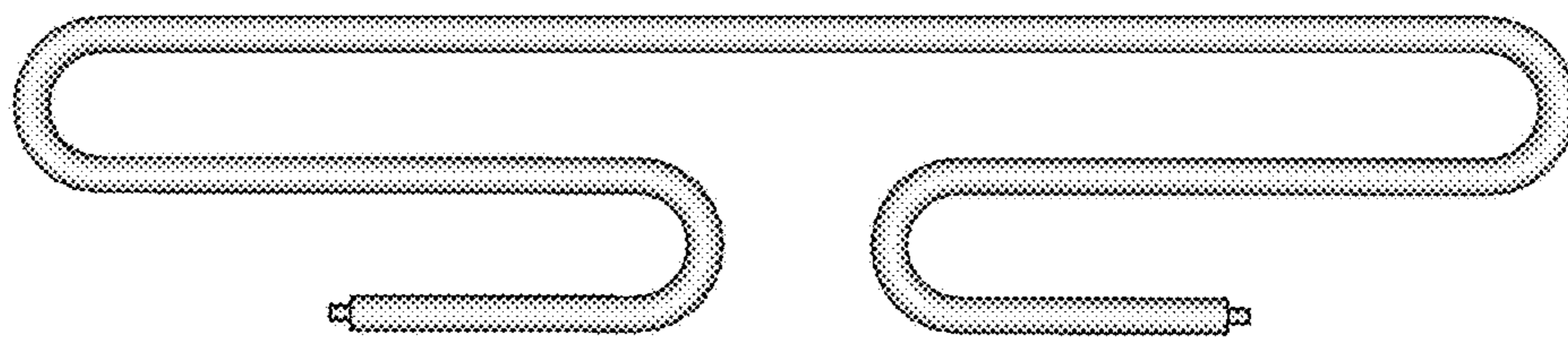


FIG. 2

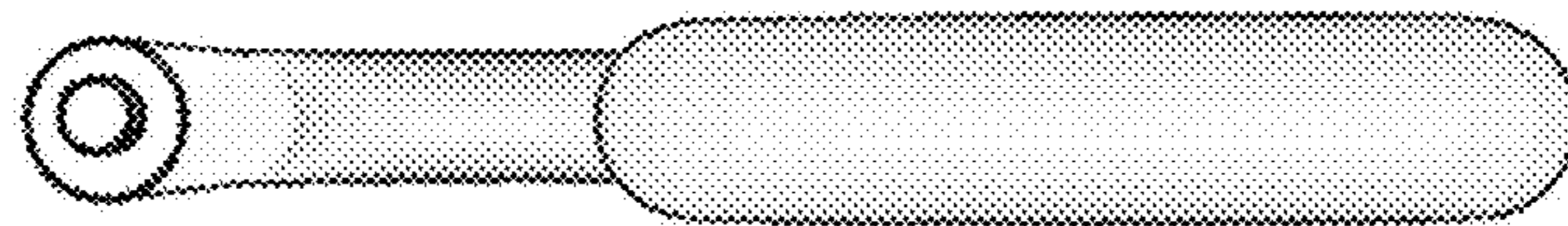


FIG. 3

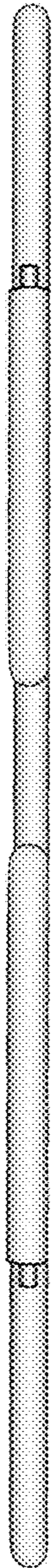


FIG. 4

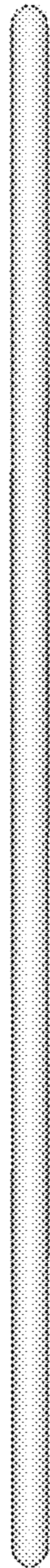


FIG. 5

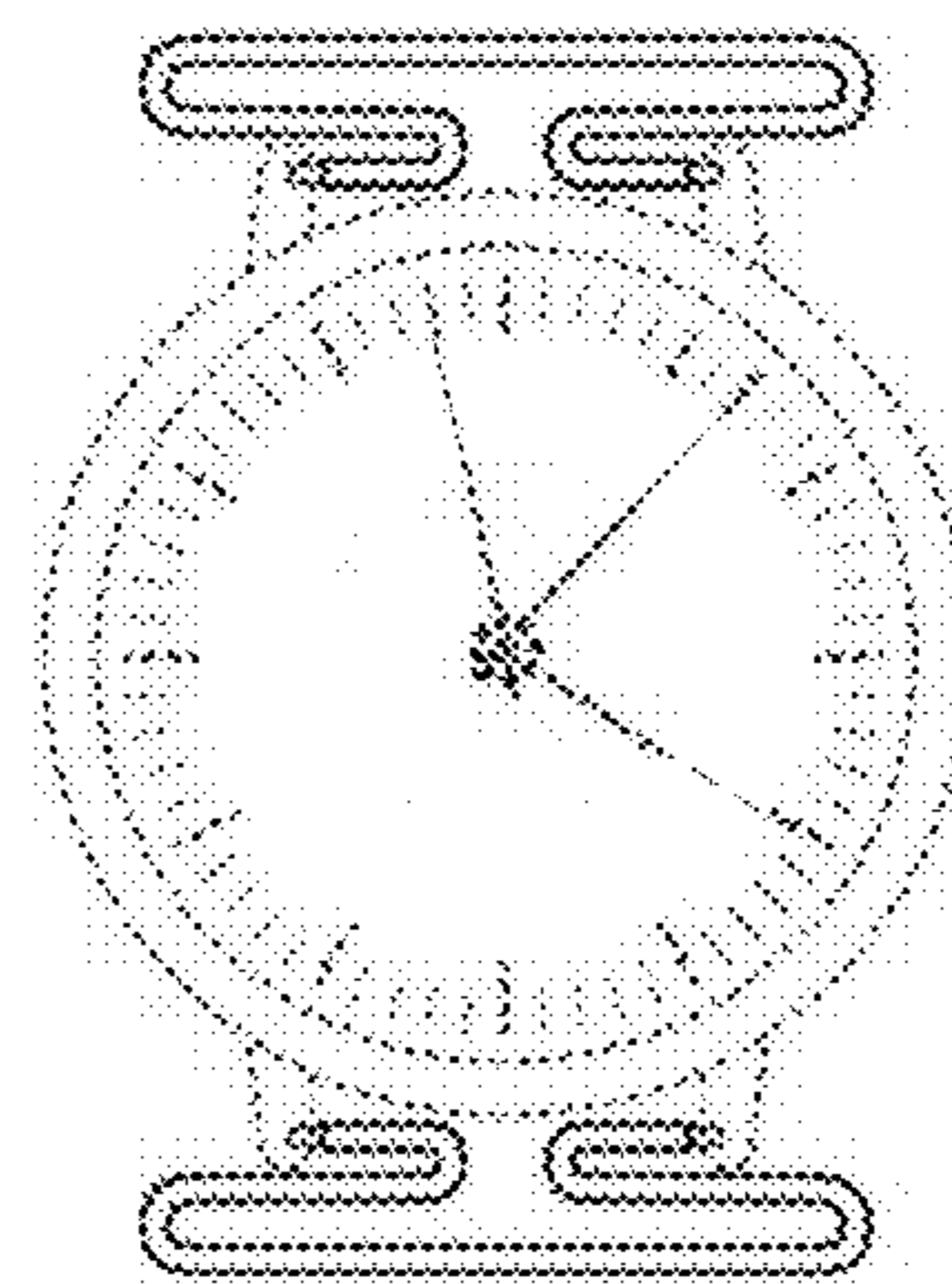


FIG. 6

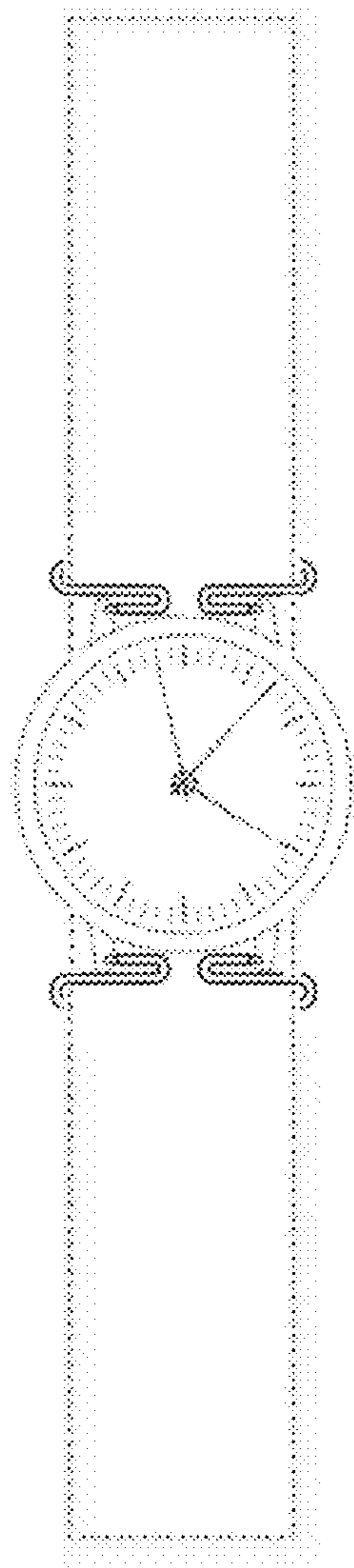


FIG. 7

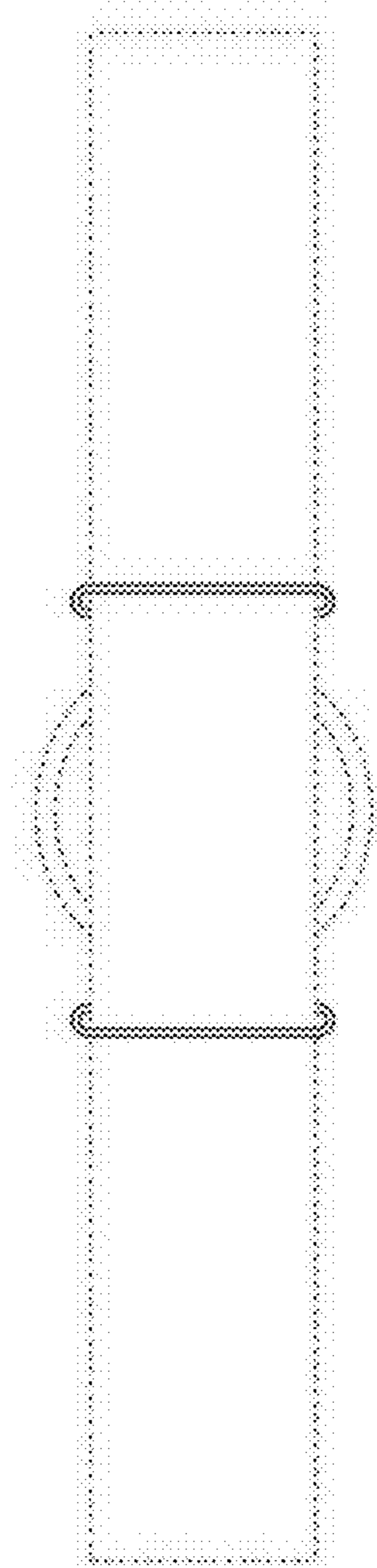


FIG. 8