



US00D853265S

(12) **United States Design Patent**
Grearson et al.

(10) **Patent No.:** **US D853,265 S**

(45) **Date of Patent:** **** Jul. 9, 2019**

(54) **DOORBELL**

(71) Applicant: **Amazon Technologies, Inc.**, Seattle, WA (US)

(72) Inventors: **Paul Douglas Grearson**, Andover, MA (US); **Thomas Burns**, Boston, MA (US); **Marty Mutch**, New York, NY (US); **Sunny Kim**, Woodbury, NY (US)

(73) Assignee: **Amazon Technologies, Inc.**, Seattle, WA (US)

(**) Term: **15 Years**

(21) Appl. No.: **29/644,264**

(22) Filed: **Apr. 16, 2018**

(51) **LOC (11) Cl.** **10-05**

(52) **U.S. Cl.**
USPC **D10/118.2**

(58) **Field of Classification Search**
USPC D10/118.2
See application file for complete search history.

(56) **References Cited**

U.S. PATENT DOCUMENTS

D789,820 S * 6/2017 Siminoff D10/118.2
D817,207 S * 5/2018 Scalisi D10/118.2

D820,706 S * 6/2018 Siminoff D10/118.2
D820,707 S * 6/2018 Siminoff D10/118.2
D822,520 S * 7/2018 Siminoff D10/118.2
D828,201 S * 9/2018 Jeong D10/118.2
D829,585 S * 10/2018 Siminoff D10/118.2

* cited by examiner

Primary Examiner — George D. Kirschbaum

(74) *Attorney, Agent, or Firm* — Lee & Hayes, P.C.

(57) **CLAIM**

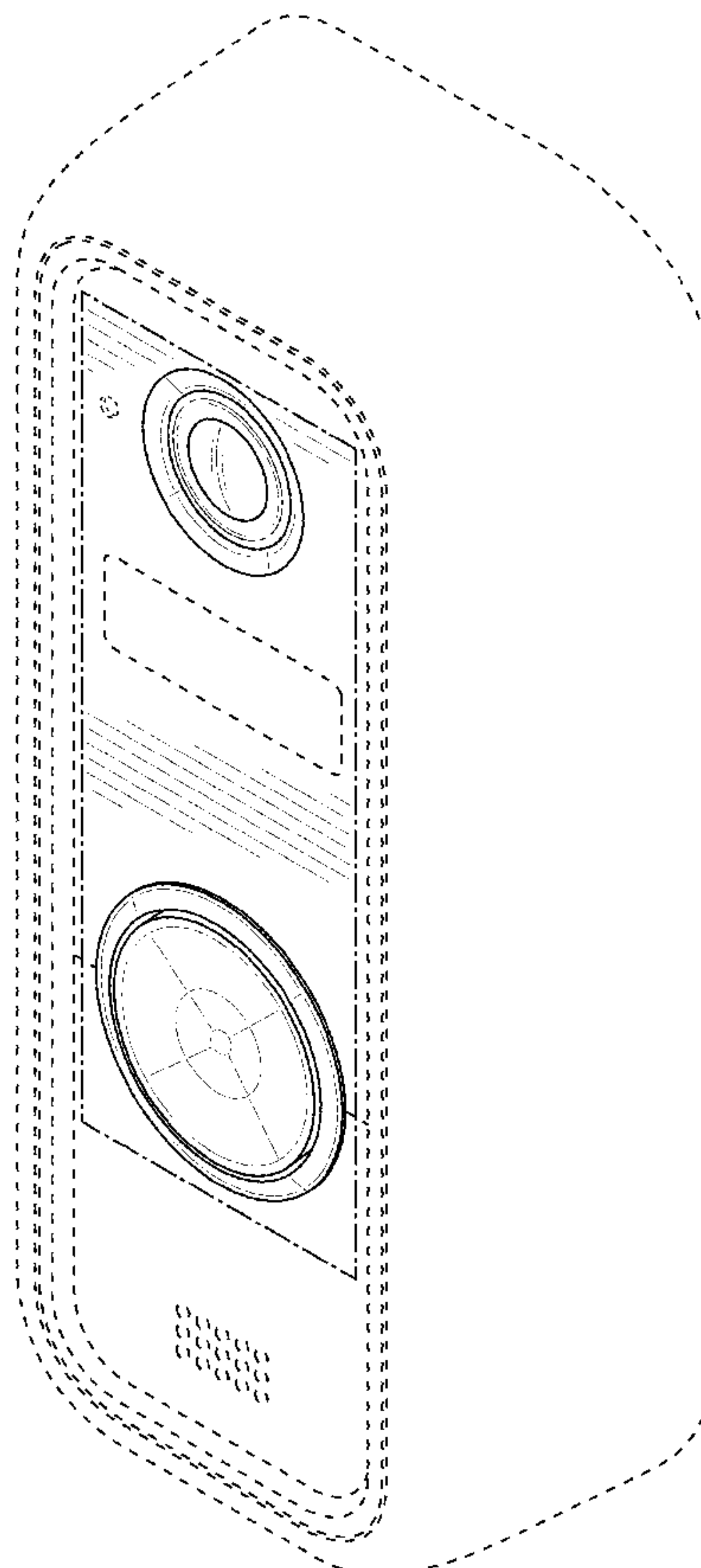
The ornamental design for a doorbell, as shown and described.

DESCRIPTION

FIG. 1 is a front perspective view of the doorbell;
FIG. 2 is a front view thereof;
FIG. 3 is a back view thereof;
FIG. 4 is a left-side view thereof;
FIG. 5 is a right-side view thereof;
FIG. 6 is a top view thereof; and,
FIG. 7 is a bottom view thereof.

The dashed broken lines depict portions of the doorbell that form no part of the claimed design. The dot-dashed broken lines represent boundaries of the claimed doorbell and form no part of the claimed design.

1 Claim, 7 Drawing Sheets



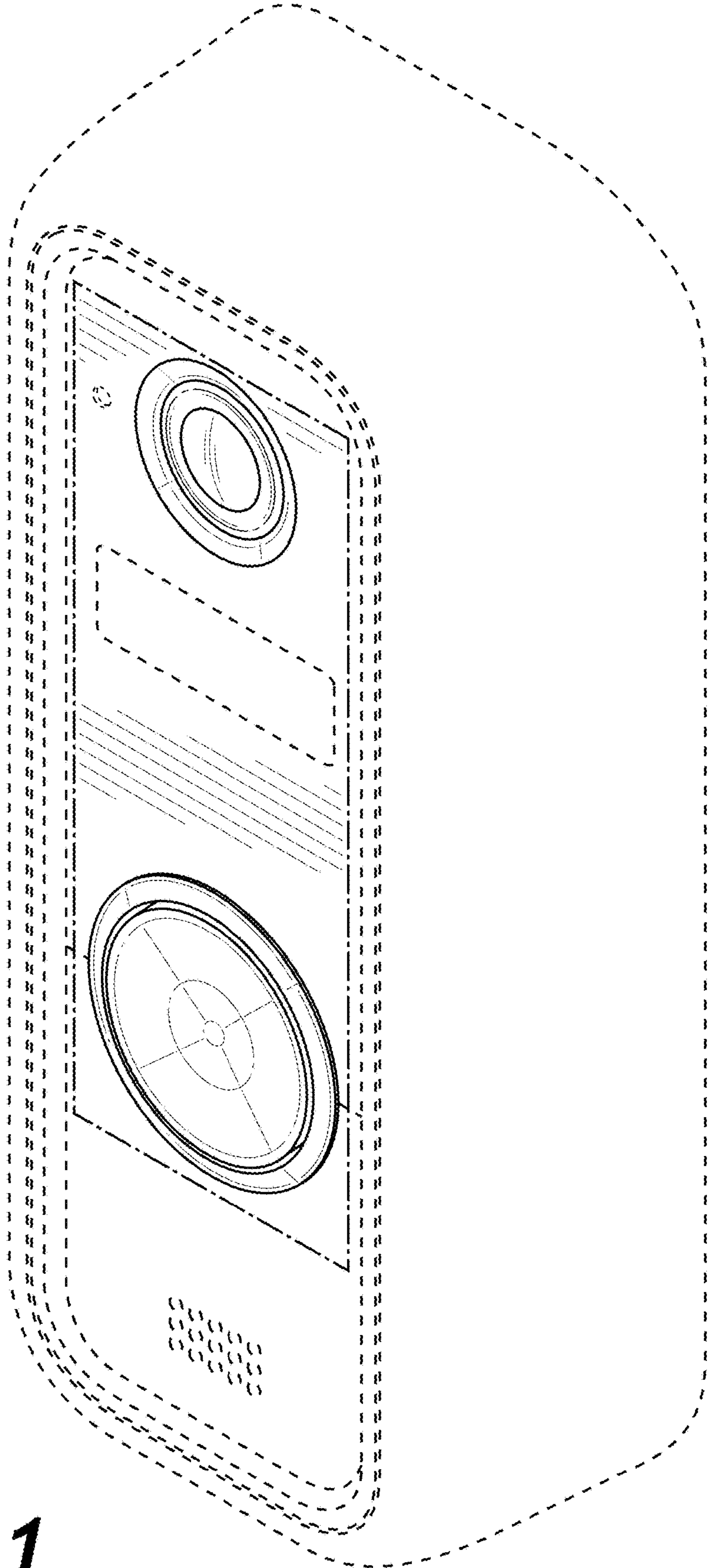


FIG. 1

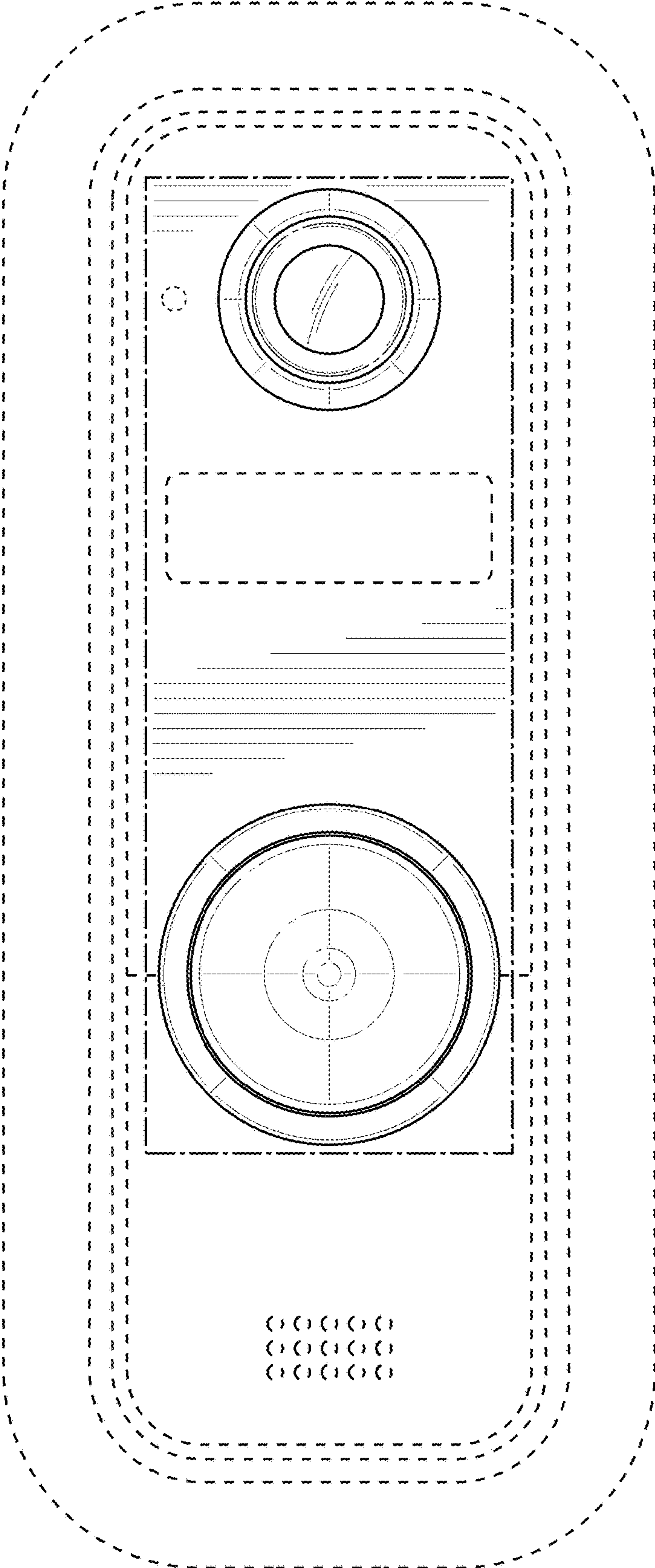


FIG. 2

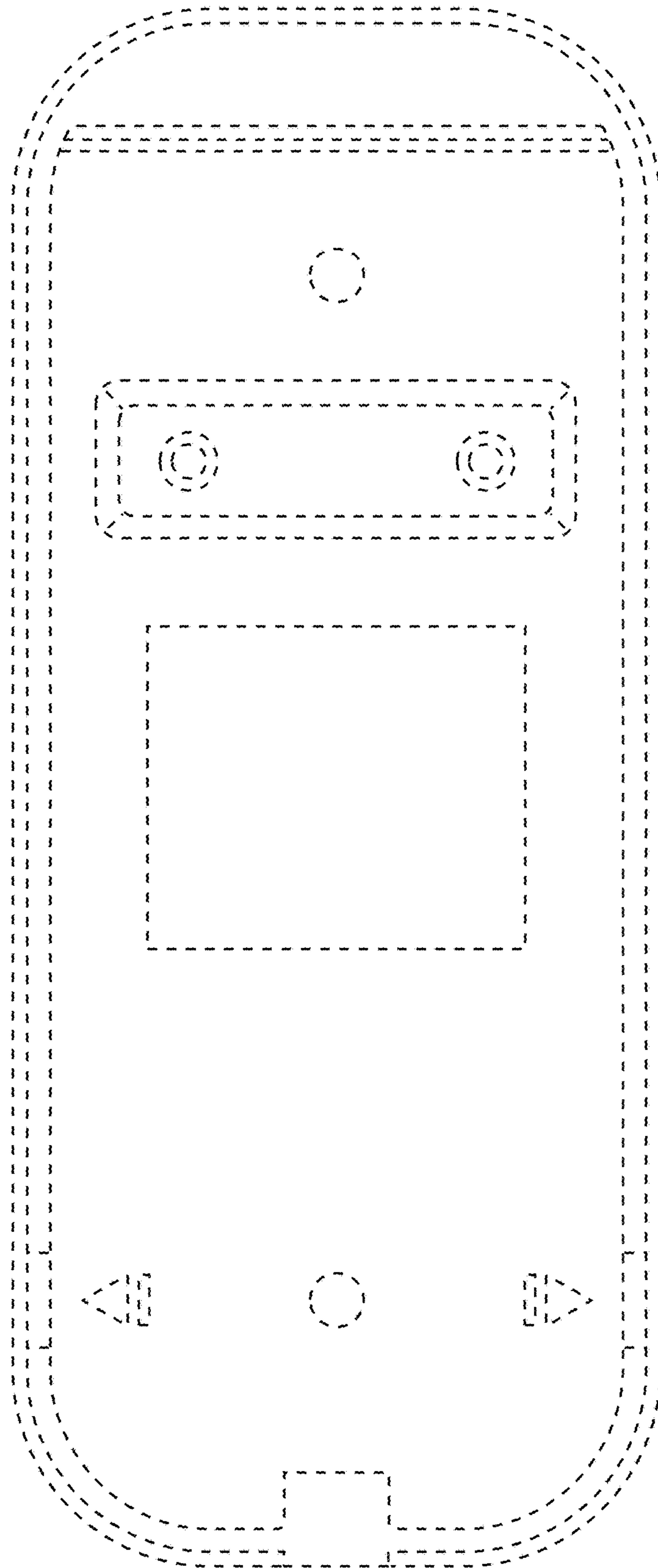


FIG. 3

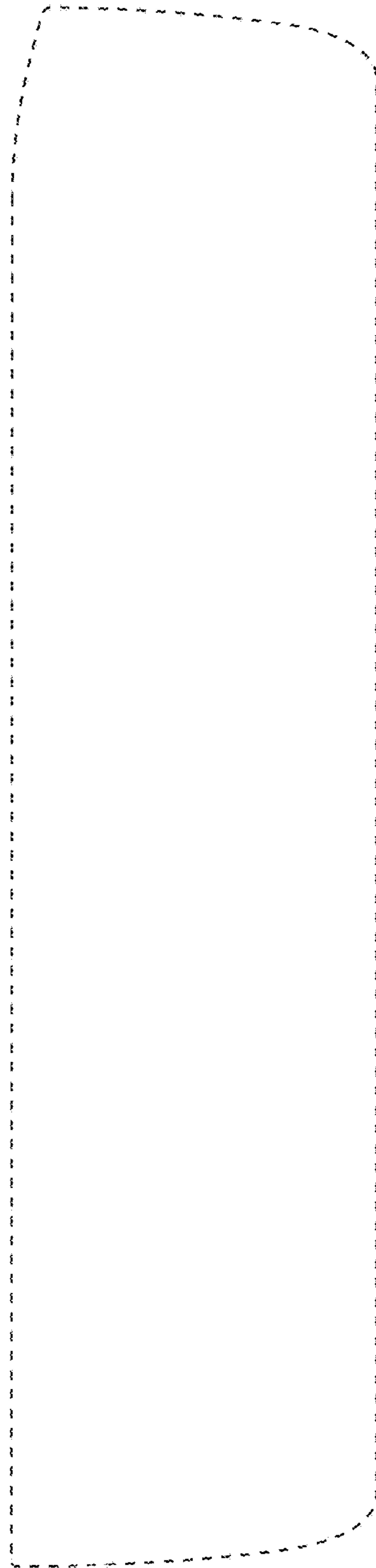


FIG. 4

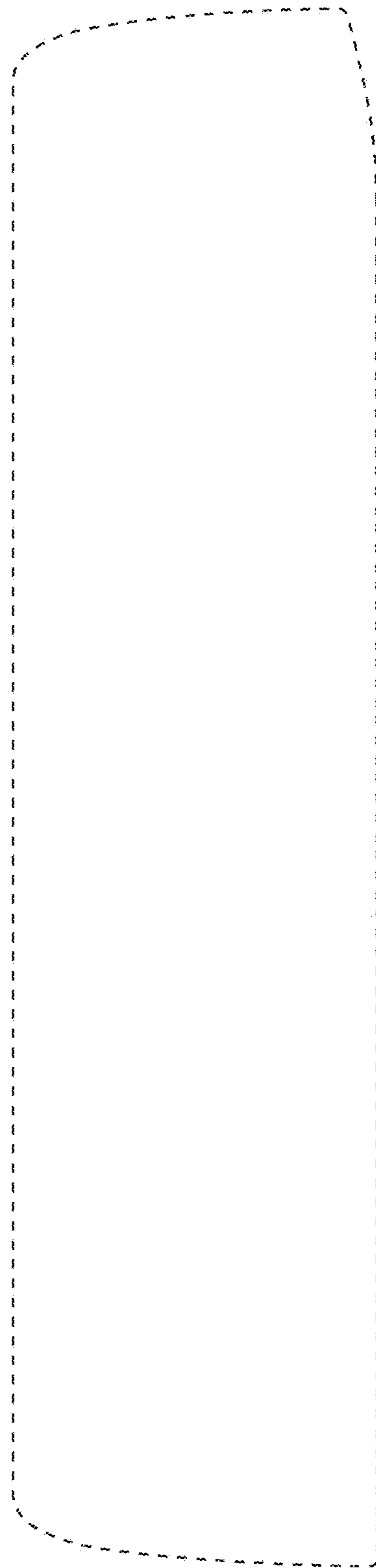


FIG. 5

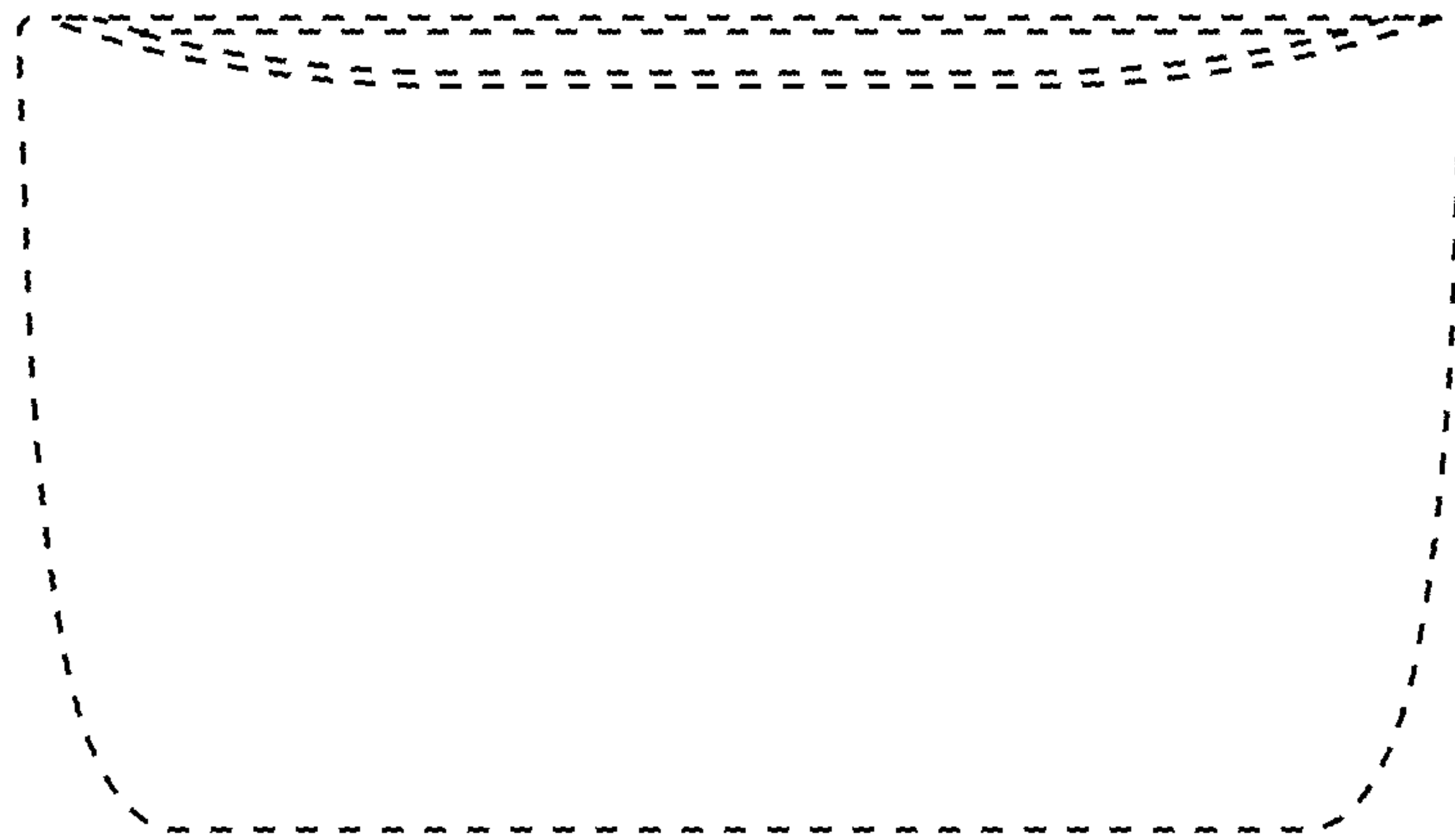


FIG. 6

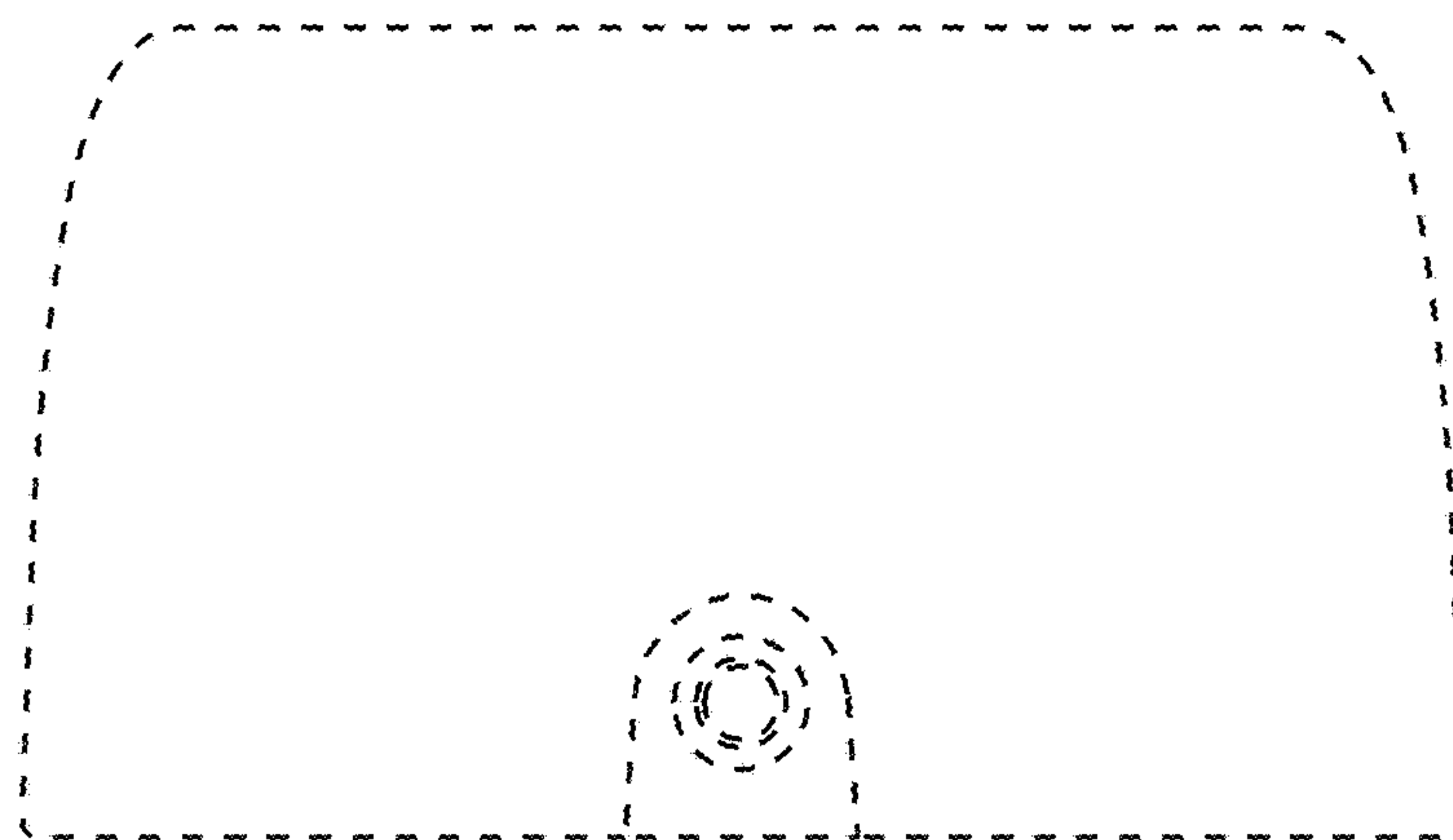


FIG. 7