



US00D853262S

(12) **United States Design Patent** (10) **Patent No.:** **US D853,262 S**
Geskin Zinovi et al. (45) **Date of Patent:** **** Jul. 9, 2019**

- (54) **WIRELESS SENSOR**
- (71) Applicant: **Tyco Fire & Security GmbH**,
Neuhausen am Rheinfall (CH)
- (72) Inventors: **Zohar Geskin Zinovi**, Ramat Gan (IL);
Vitaly Roytenburd, Rishon le Zion
(IL); **Yigal Brodetsky**, Rishon le Zion
(IL)
- (73) Assignee: **TYCO FIRE & SECURITY GMBH**,
Neuhausen am Rheinfall (CH)
- (**) Term: **15 Years**
- (21) Appl. No.: **29/607,779**
- (22) Filed: **Jun. 16, 2017**

Related U.S. Application Data

- (62) Division of application No. 29/514,636, filed on Jan. 14, 2015, now Pat. No. Des. 793,262.
- (51) **LOC (11) Cl.** **10-05**
- (52) **U.S. Cl.**
USPC **D10/104.1**
- (58) **Field of Classification Search**
USPC D10/104.1, 118.2
See application file for complete search history.

References Cited

U.S. PATENT DOCUMENTS

- D317,942 S 7/1991 Fritz et al.
- D404,165 S 1/1999 Vakil
- D519,394 S 4/2006 DiPasquale
- D579,799 S * 11/2008 Barton D10/50
- D670,186 S * 11/2012 Aesch, Jr. D10/104.1
- D713,277 S 9/2014 Hasegawa et al.
- D744,884 S 12/2015 Roberts et al.
- D747,228 S 1/2016 Fiedler et al.
- D777,050 S 1/2017 Will et al.

- D778,185 S 2/2017 Ookawa et al.
- D788,603 S * 6/2017 Liu D10/102
- D808,289 S * 1/2018 Kim D10/104.1
- D814,323 S * 4/2018 Bedingham D10/70
- D834,978 S * 12/2018 Kristensson D10/104.1

* cited by examiner

Primary Examiner — George D. Kirschbaum
(74) *Attorney, Agent, or Firm* — Arent Fox LLP

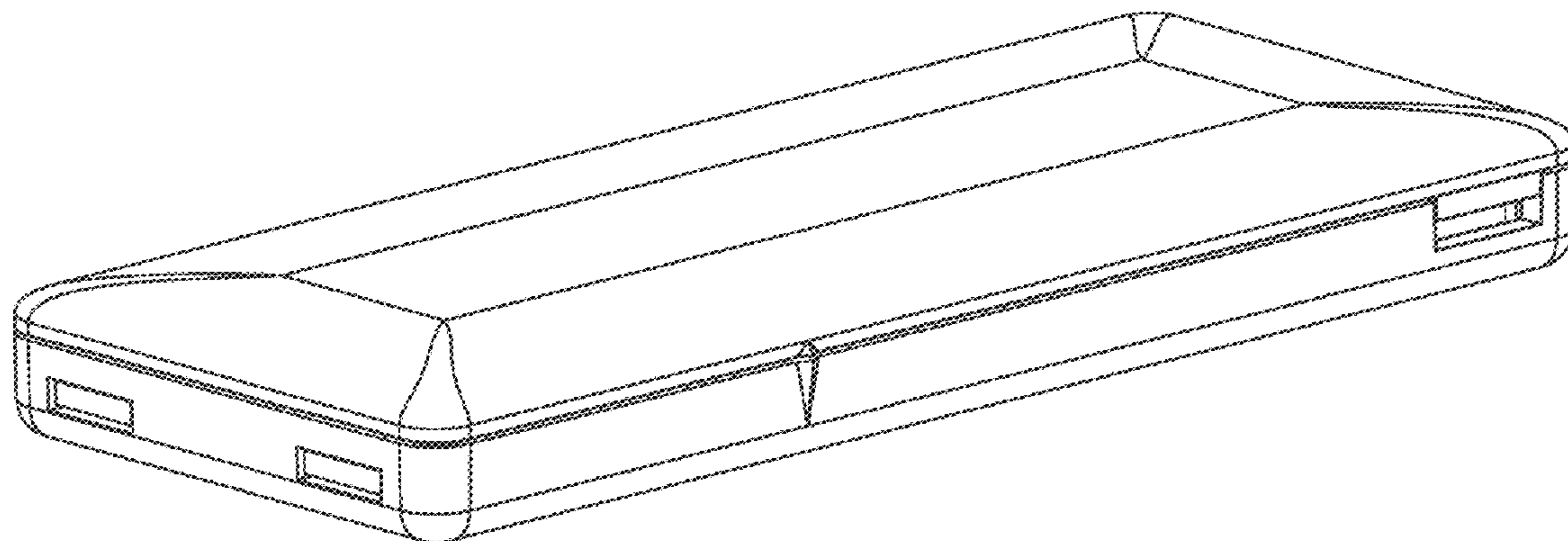
(57) **CLAIM**

The ornamental design for a wireless sensor, as shown and described.

DESCRIPTION

FIG. 1 is a top perspective view of a first embodiment of the wireless sensor showing a new design; FIG. 2 is a bottom perspective view of the first embodiment; FIG. 3 is a top view of the first embodiment; FIG. 4 is a bottom view of the first embodiment; FIG. 5 is a front view of the first embodiment; FIG. 6 is a rear view of the first embodiment; FIG. 7 is a left view of the first embodiment; FIG. 8 is a right view of the first embodiment; FIG. 9 is a top perspective view of a second embodiment of the wireless sensor showing another new design; FIG. 10 is a bottom perspective view of the second embodiment; FIG. 11 is a top view of the second embodiment; FIG. 12 is a bottom view of the second embodiment; FIG. 13 is a front view of the second embodiment; FIG. 14 is a rear view of the second embodiment; FIG. 15 is a left view of the second embodiment; and, FIG. 16 is a right view of the second embodiment. The broken lines depict unclaimed environmental subject matter.

1 Claim, 14 Drawing Sheets



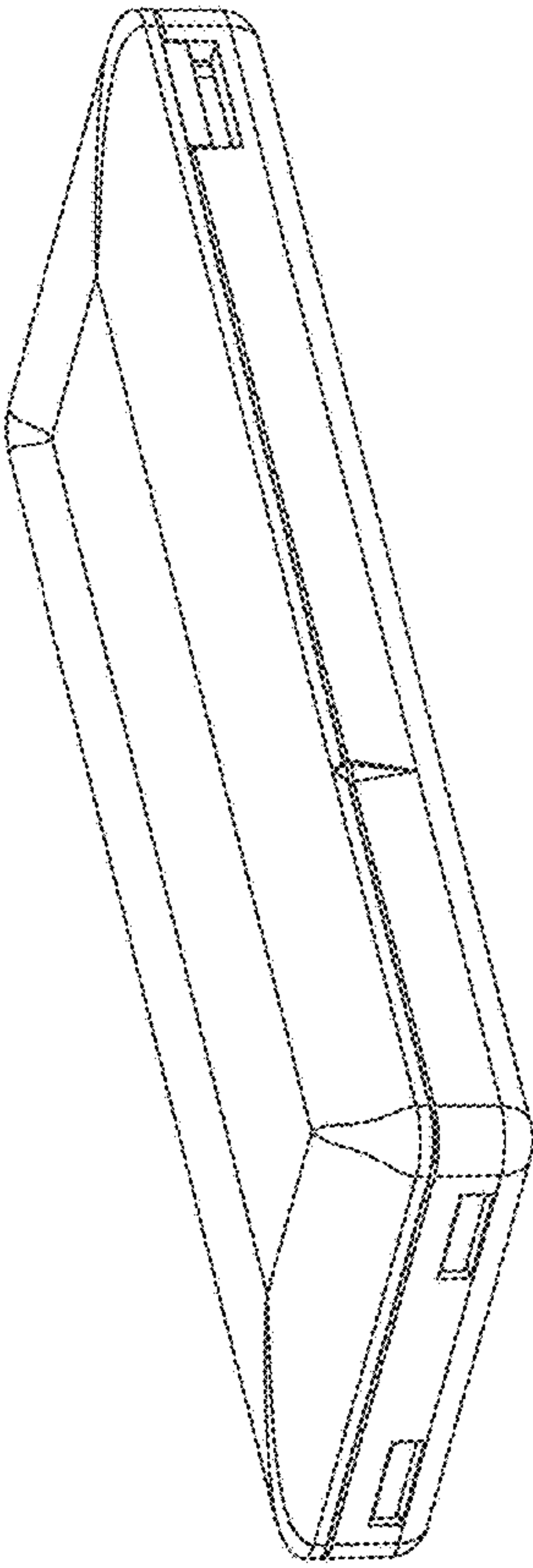


FIG. 1

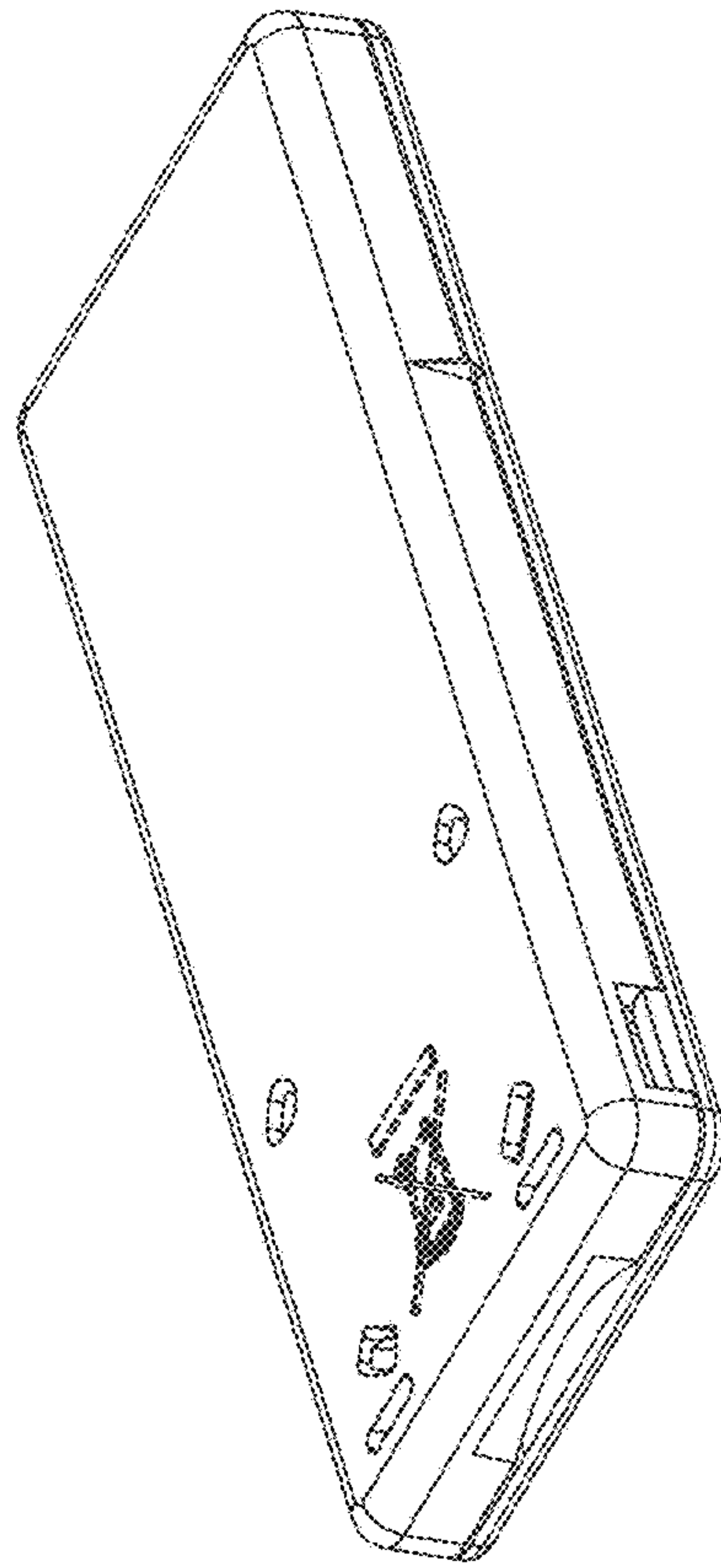


FIG. 2

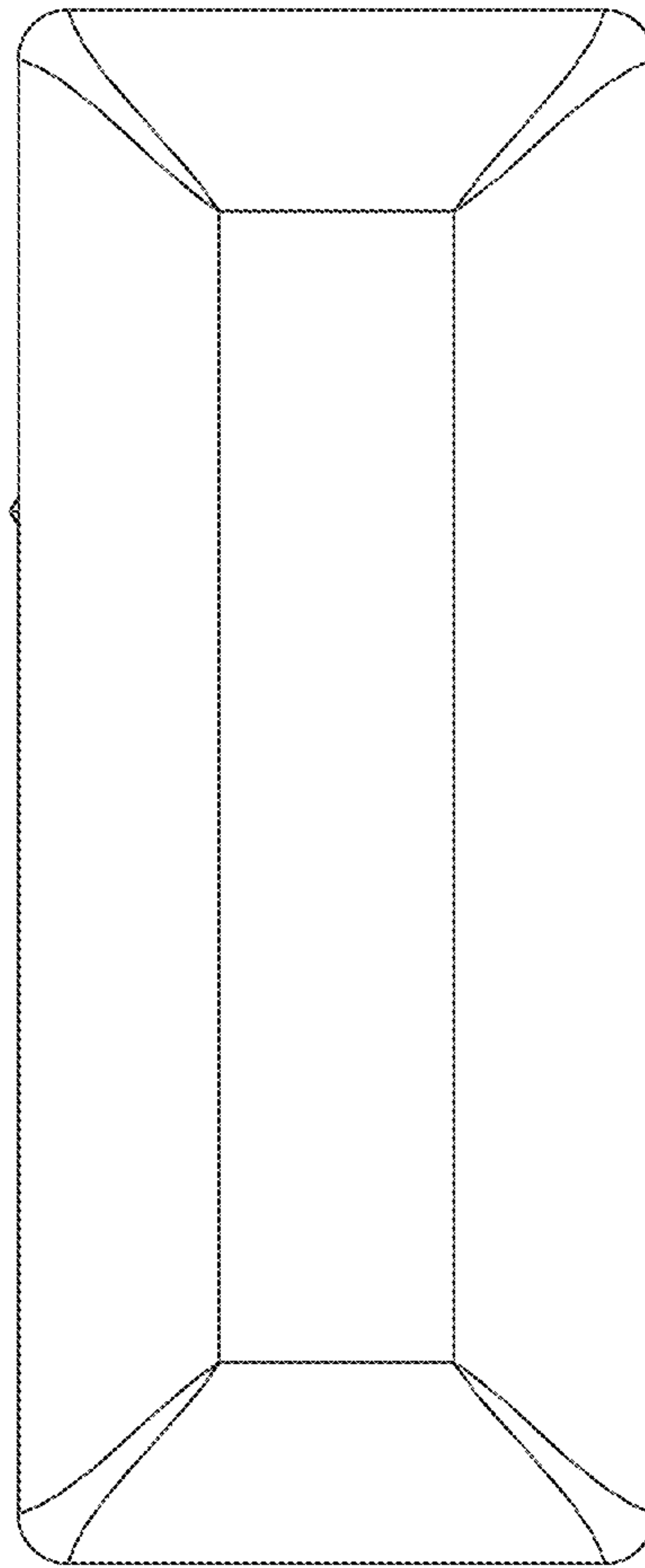


FIG. 3

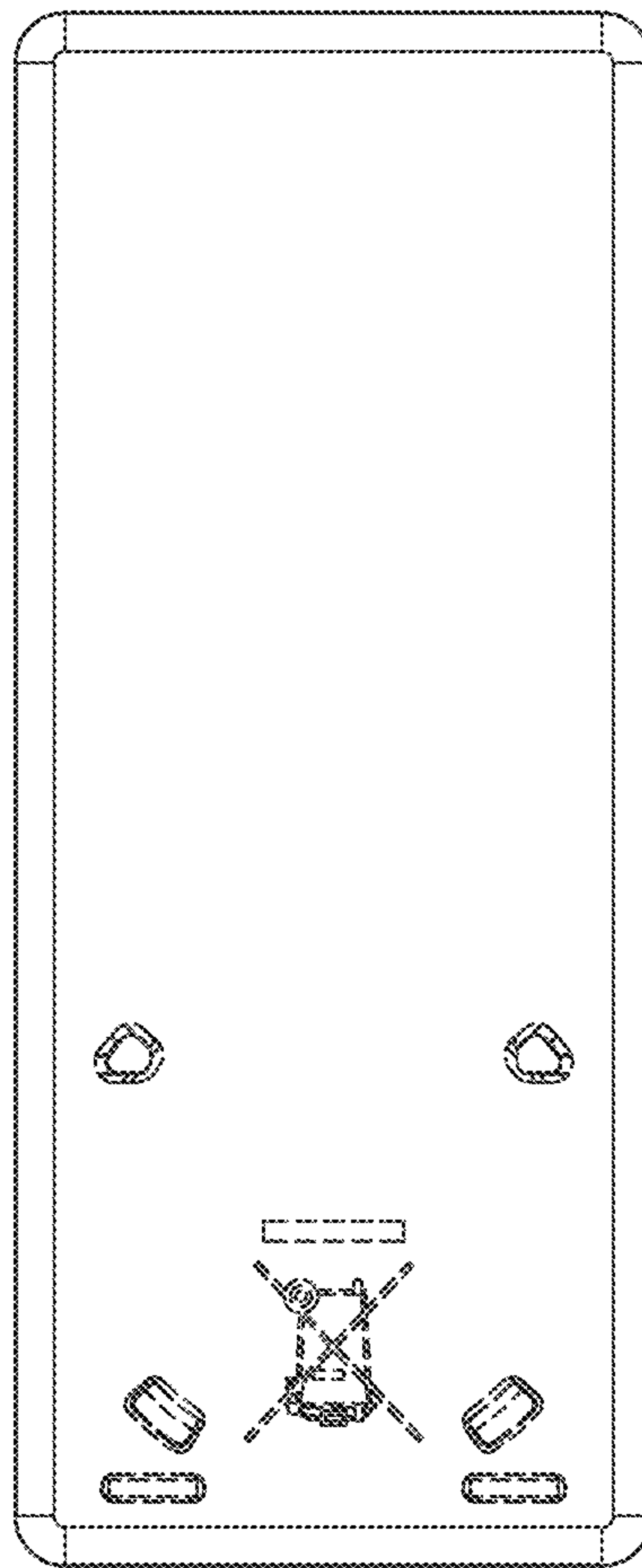


FIG. 4

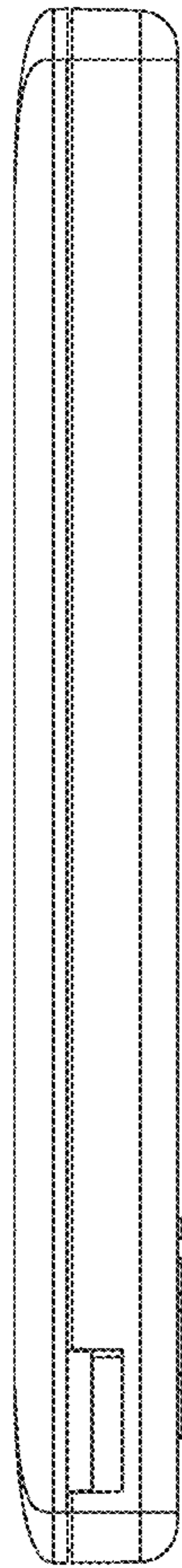


FIG. 5

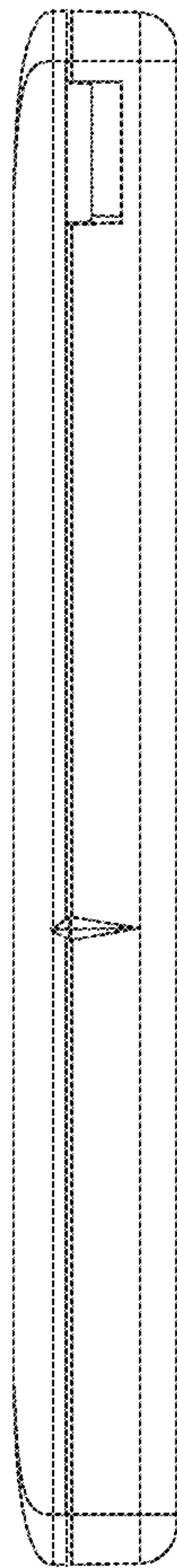


FIG. 6

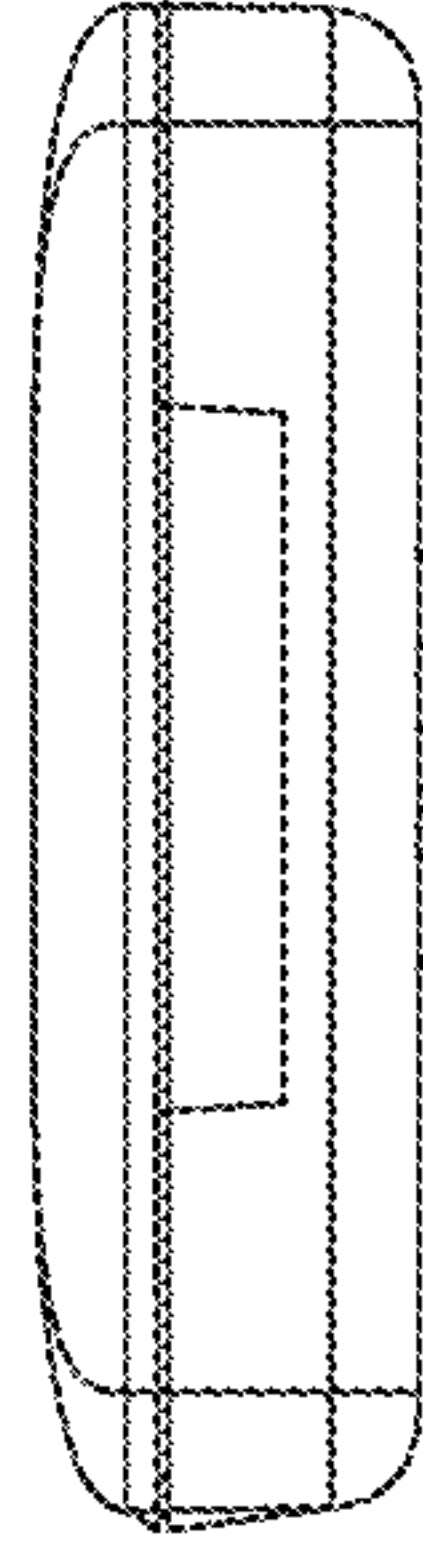


FIG. 8

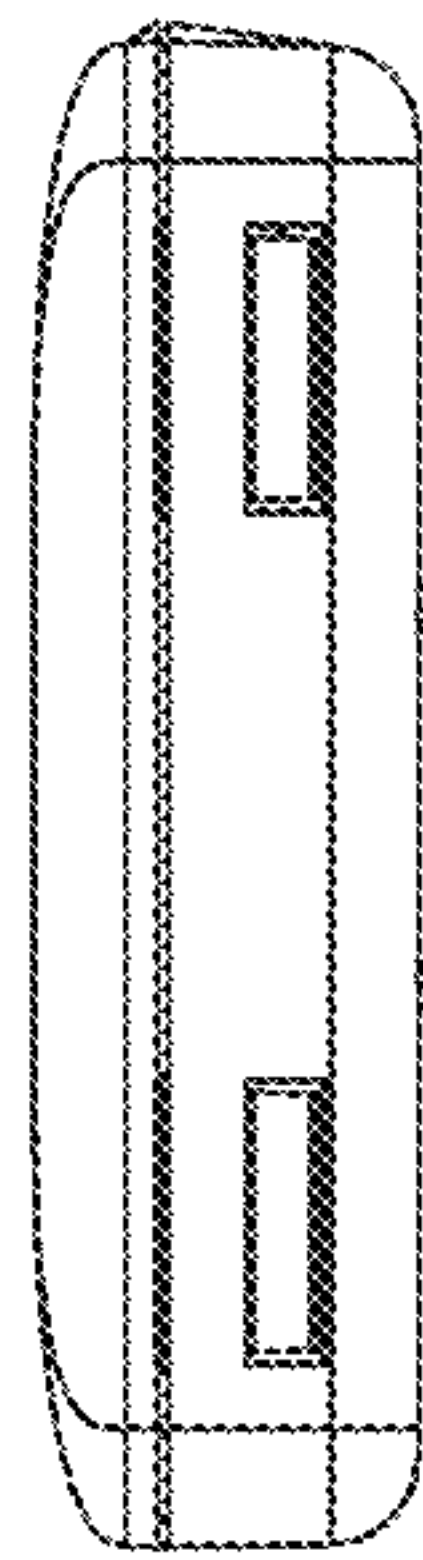


FIG. 7

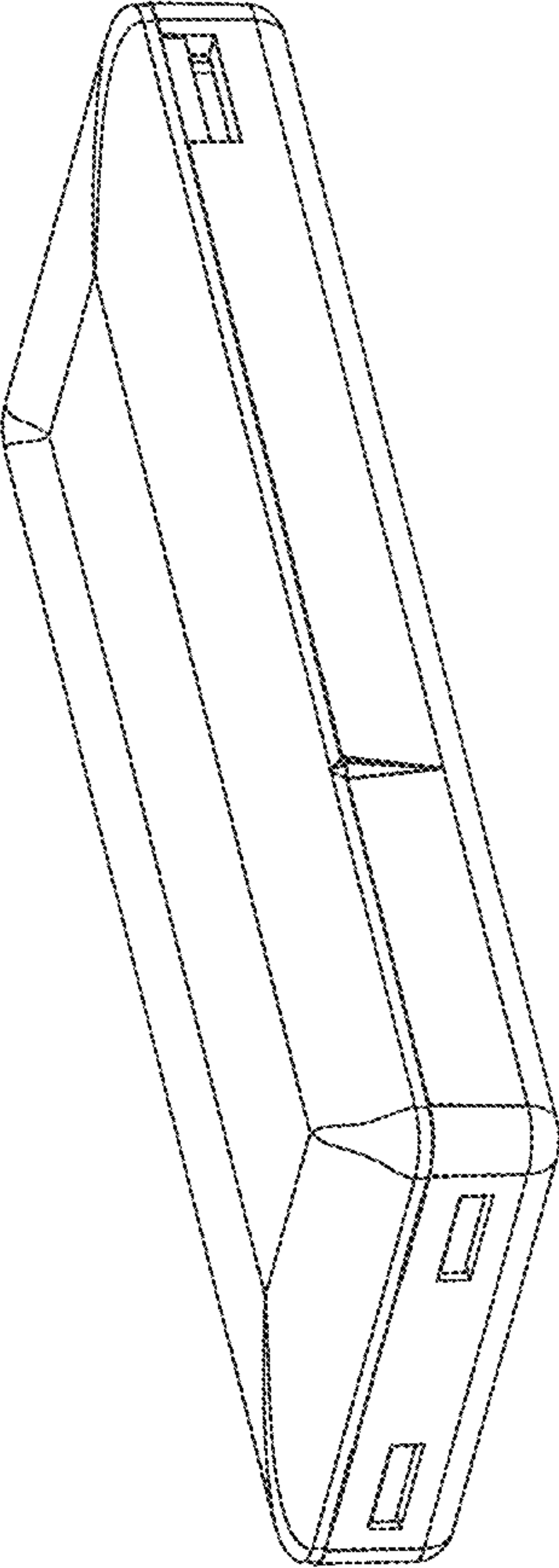


FIG. 9

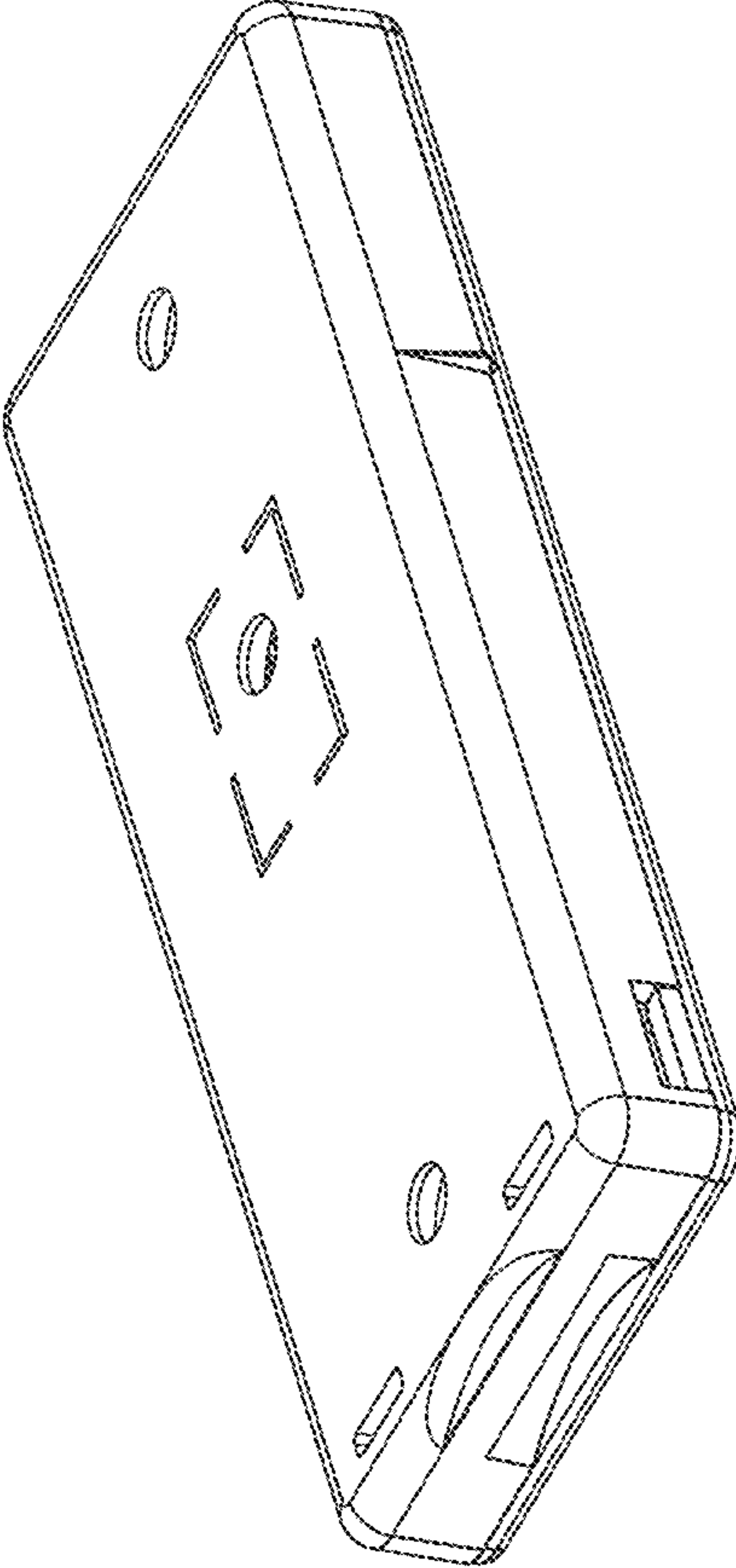


FIG. 10

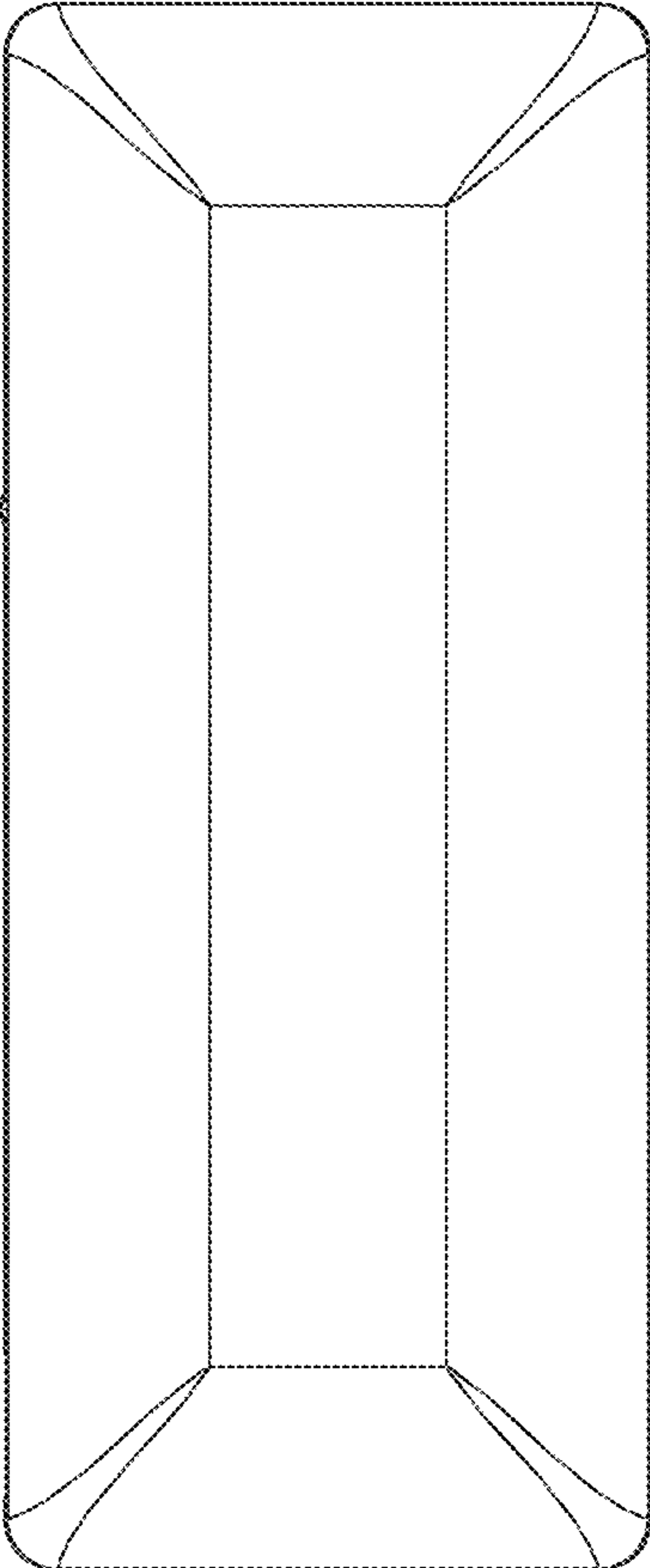


FIG. 11

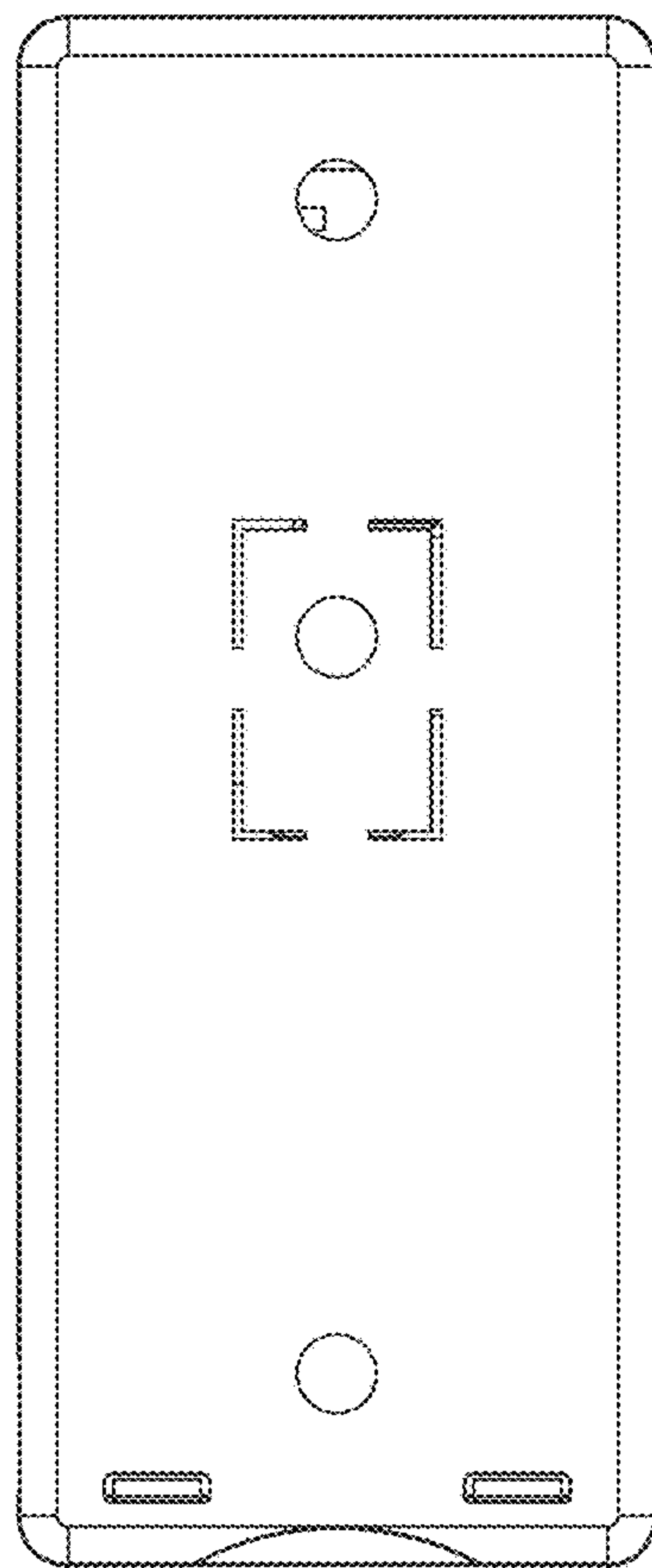


FIG. 12

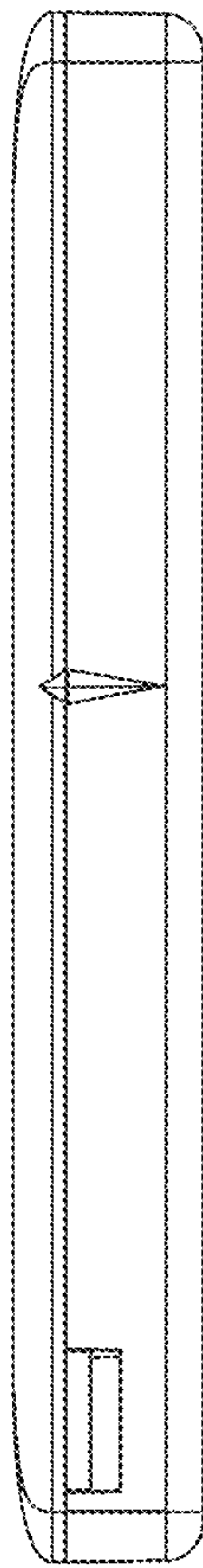


FIG. 13

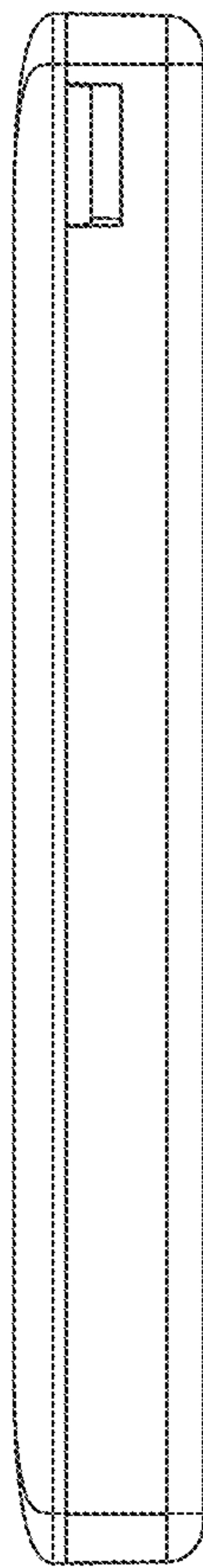


FIG. 14

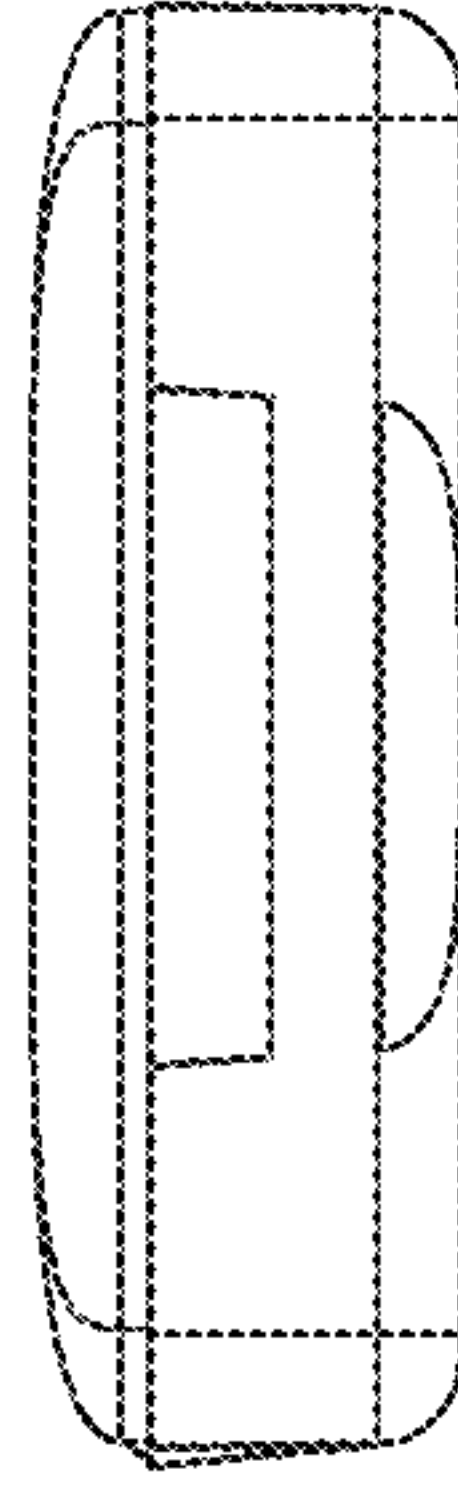


FIG. 15

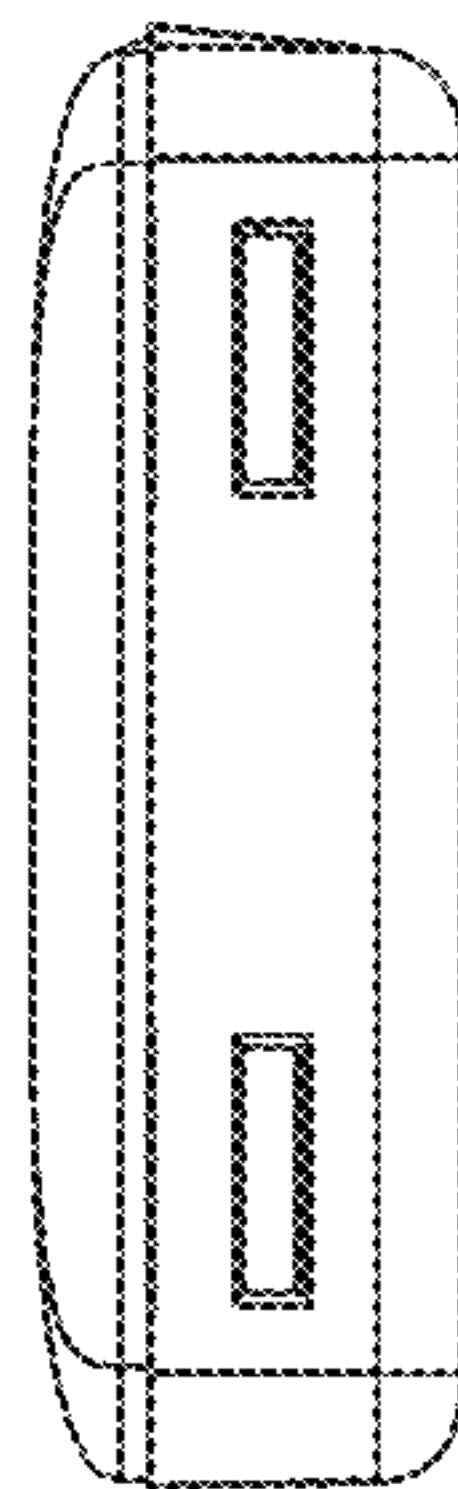


FIG. 16