



US00D853256S

(12) **United States Design Patent** (10) **Patent No.:** **US D853,256 S**  
**Lee** (45) **Date of Patent:** **\*\* Jul. 9, 2019**

(54) **WOODWORKING RULER**  
(71) Applicant: **Myeongseop Lee**, Anyang (KR)  
(72) Inventor: **Myeongseop Lee**, Anyang (KR)  
(\*\*) Term: **15 Years**  
(21) Appl. No.: **29/647,939**  
(22) Filed: **May 17, 2018**  
(51) **LOC (11) Cl.** ..... **10-04**  
(52) **U.S. Cl.**  
USPC ..... **D10/65**  
(58) **Field of Classification Search**  
USPC ..... D10/62, 65, 71  
CPC ..... B43L 7/027; B43L 7/0275; B43L 7/033;  
G01B 3/566  
See application file for complete search history.

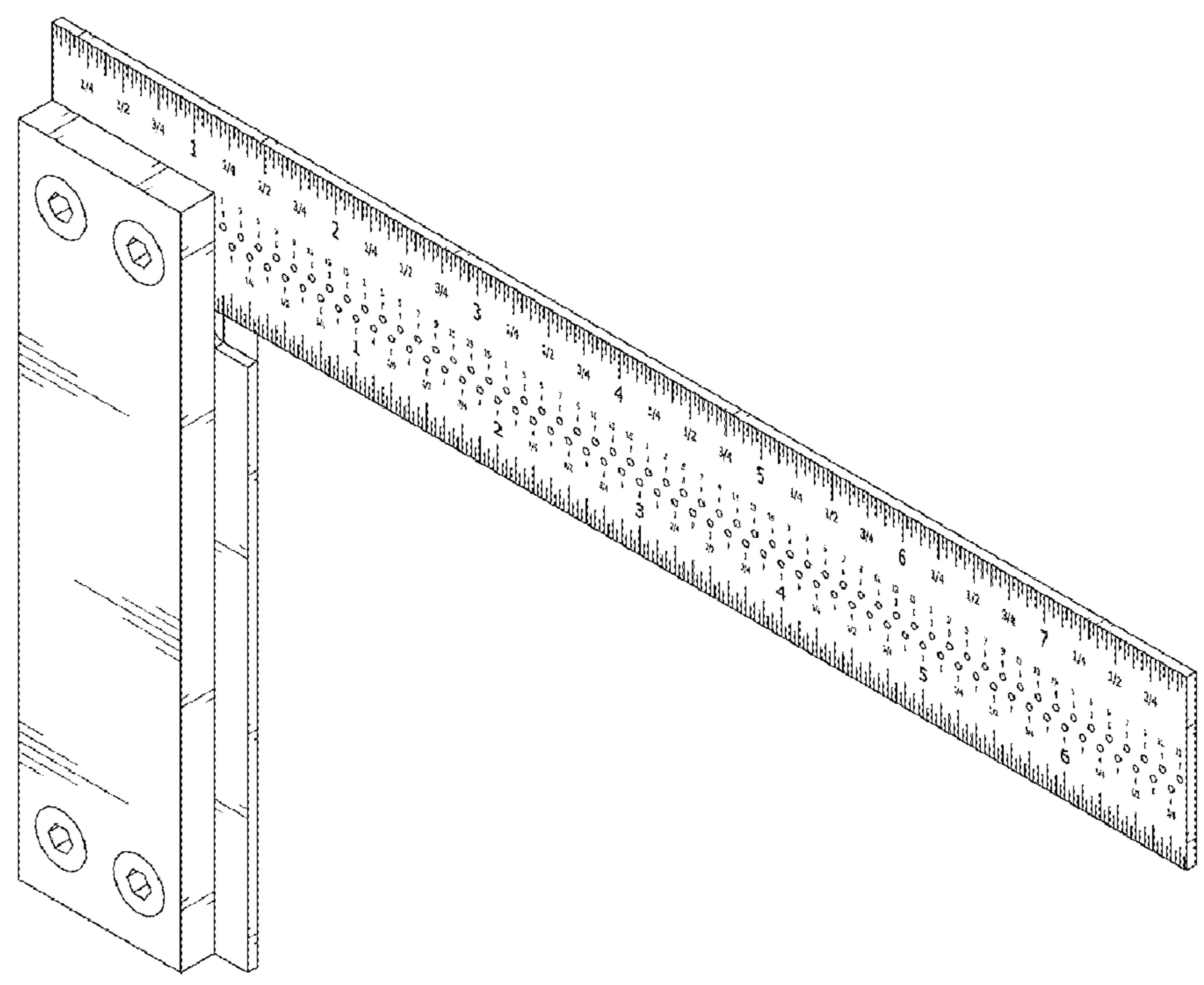
(56) **References Cited**  
**U.S. PATENT DOCUMENTS**  
D462,282 S \* 9/2002 Salvagno ..... D10/65  
D692,785 S \* 11/2013 Pirayesh ..... D10/65

D779,979 S \* 2/2017 Eisinger ..... D10/65  
\* cited by examiner  
*Primary Examiner* — Antoine Duval Davis  
(74) *Attorney, Agent, or Firm* — Patent Office of Dr. Chung Park

(57) **CLAIM**  
The ornamental design for a woodworking ruler, as shown and described.

**DESCRIPTION**  
FIG. 1 is a perspective view of a woodworking ruler showing new design.  
FIG. 2 is a front elevation view thereof.  
FIG. 3 is a rear elevation view thereof.  
FIG. 4 is a left side elevation view thereof.  
FIG. 5 is a right side elevation view thereof.  
FIG. 6 is a top plan view thereof; and,  
FIG. 7 is a bottom plan view thereof.

**1 Claim, 7 Drawing Sheets**



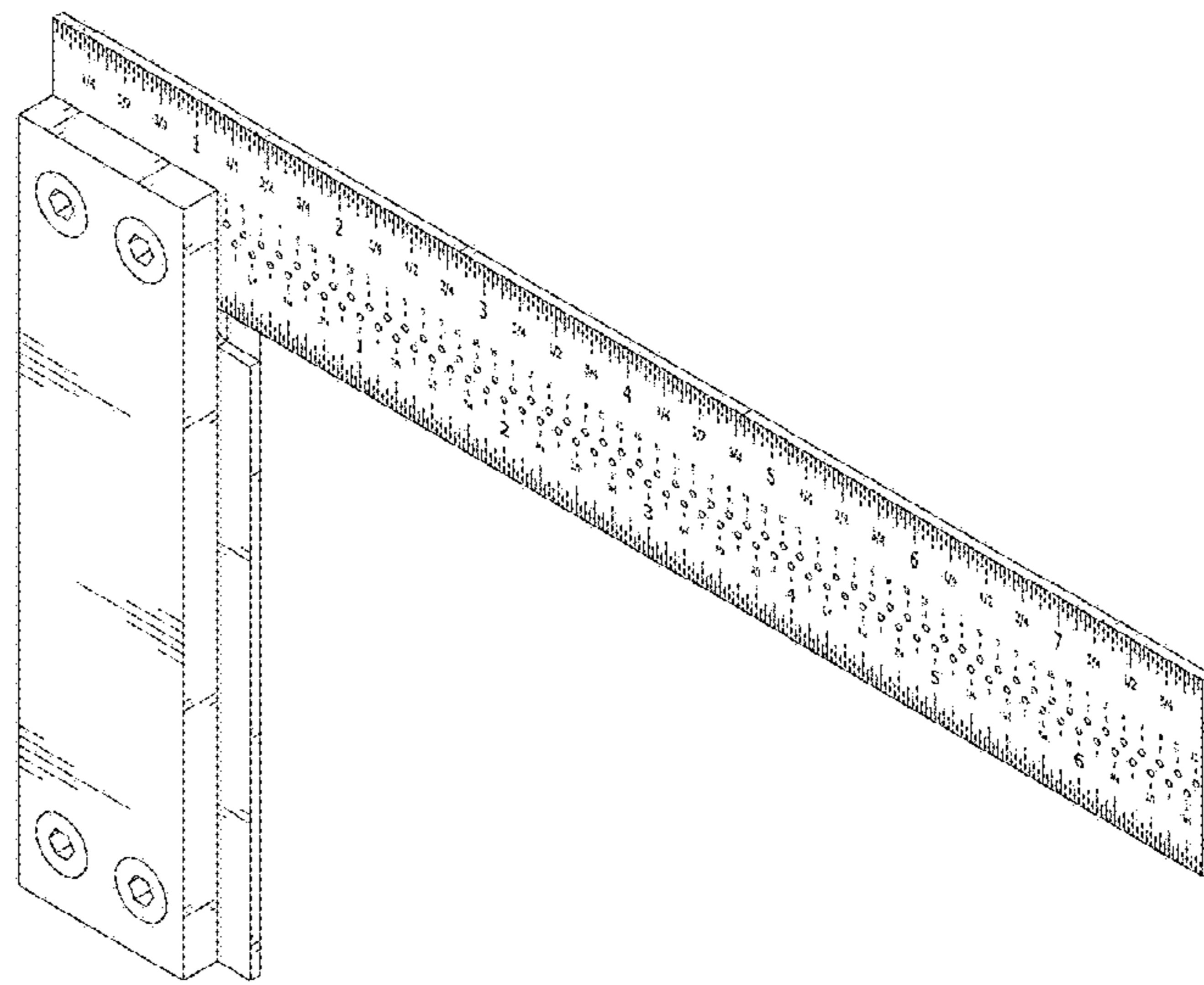


FIG. 1

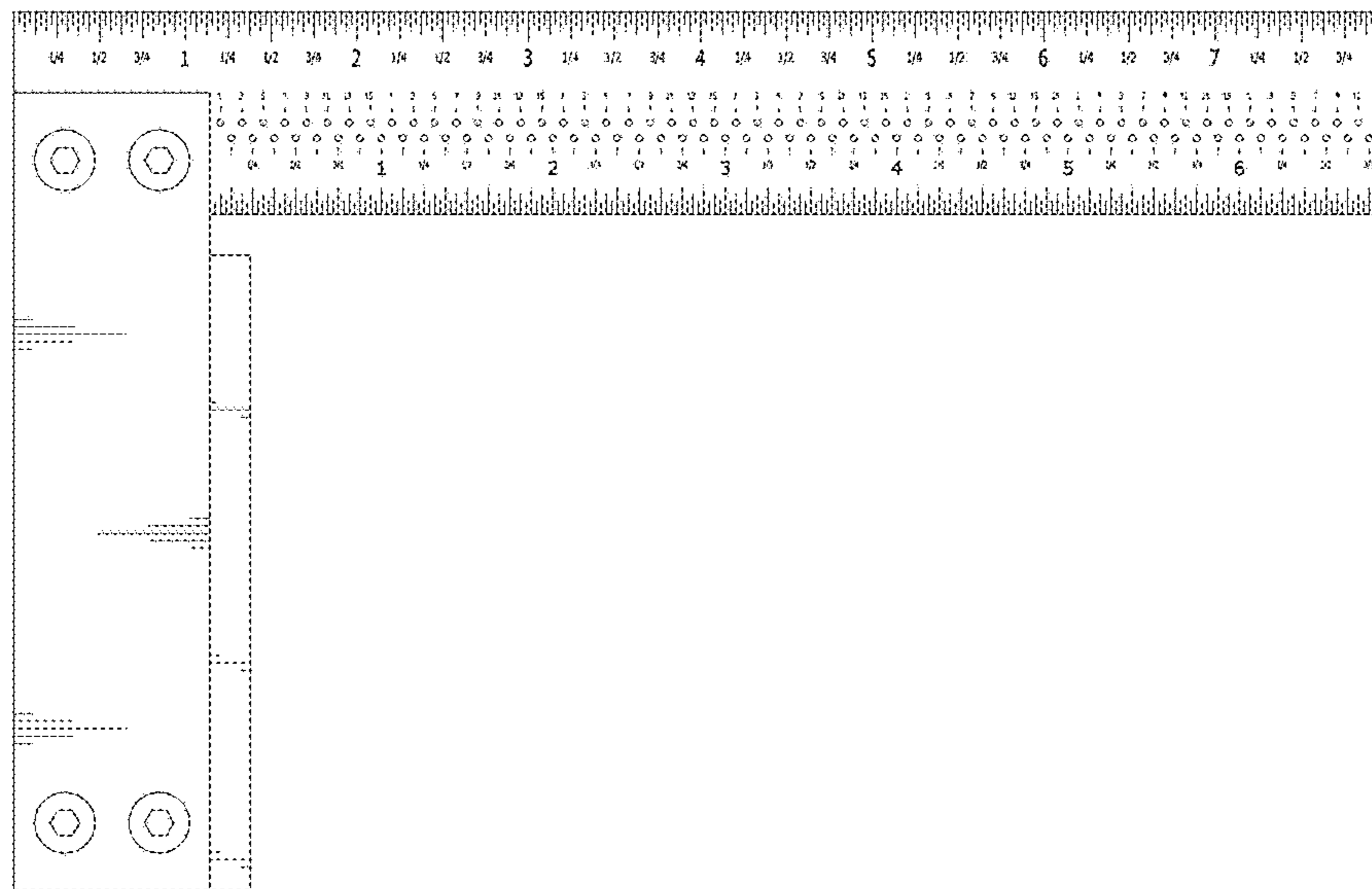


FIG. 2





FIG. 4

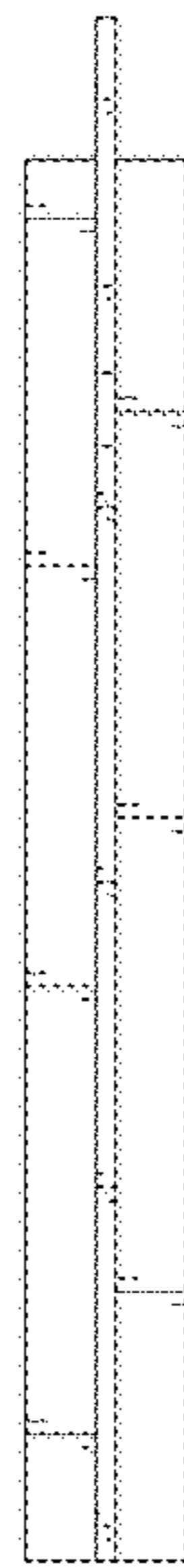


FIG. 5

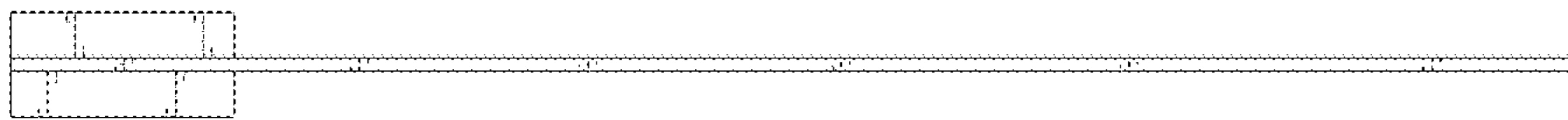


FIG. 6

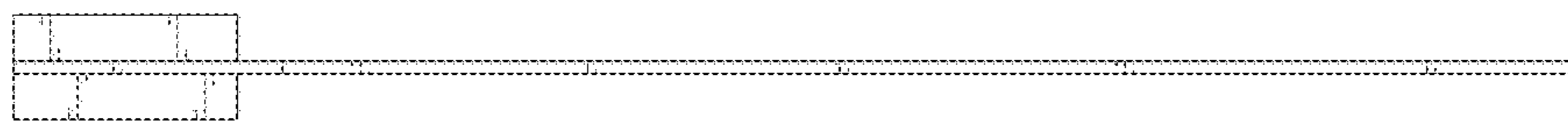


FIG. 7