



US00D853255S

(12) **United States Design Patent**  
**Lee**

(10) **Patent No.:** **US D853,255 S**

(45) **Date of Patent:** **\*\* Jul. 9, 2019**

(54) **WOODWORKING RULER**

(71) Applicant: **Myeongseop Lee**, Anyang (KR)

(72) Inventor: **Myeongseop Lee**, Anyang (KR)

(\*\*) Term: **15 Years**

(21) Appl. No.: **29/647,938**

(22) Filed: **May 17, 2018**

(51) **LOC (11) Cl.** ..... **10-04**

(52) **U.S. Cl.**  
USPC ..... **D10/62; D10/71**

(58) **Field of Classification Search**  
USPC ..... D10/62, 65, 71  
CPC ..... B43L 7/027; B43L 7/0275; B43L 7/033;  
G01B 3/566

See application file for complete search history.

(56) **References Cited**

**U.S. PATENT DOCUMENTS**

D282,828 S \* 3/1986 Holder ..... D10/62  
D460,924 S \* 7/2002 Hitchcock ..... D10/62

D814,322 S \* 4/2018 Pepper ..... D10/62

\* cited by examiner

*Primary Examiner* — Antoine Duval Davis

(74) *Attorney, Agent, or Firm* — Patent Office of Dr. Chung Park

(57) **CLAIM**

The ornamental design for a woodworking ruler, as shown and described.

**DESCRIPTION**

FIG. 1 is a perspective view of a woodworking ruler showing new design, wherein the sliding head is disposed at one location on the body of the woodworking ruler.

FIG. 2 is a front elevation view thereof.

FIG. 3 is a rear elevation view thereof.

FIG. 4 is a left side elevation view thereof.

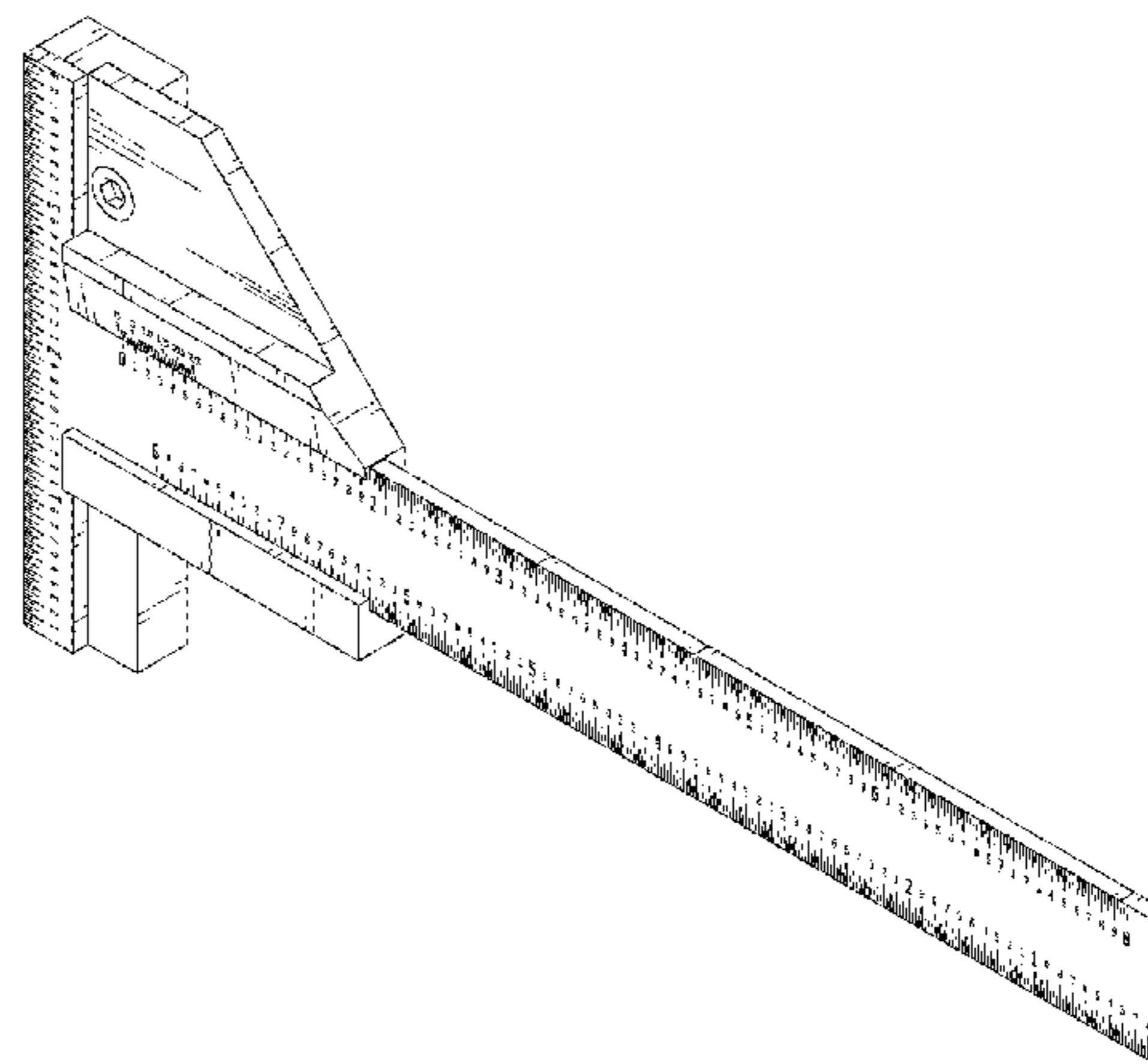
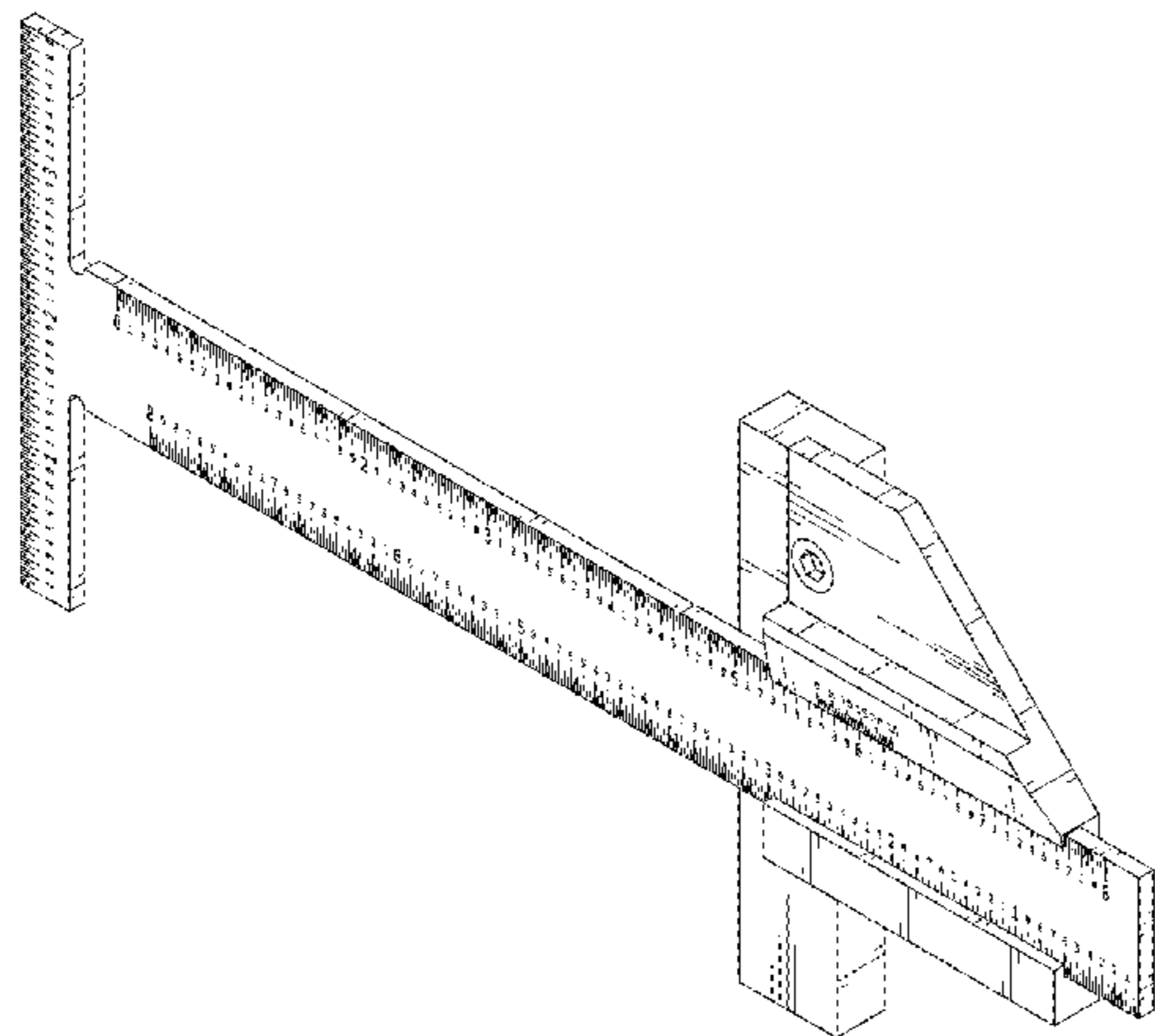
FIG. 5 is a right side elevation view thereof.

FIG. 6 is a top plan view thereof.

FIG. 7 is a bottom plan view thereof; and,

FIG. 8 is a perspective view thereof, wherein the sliding head is disposed at another location on the body of the woodworking ruler.

**1 Claim, 8 Drawing Sheets**



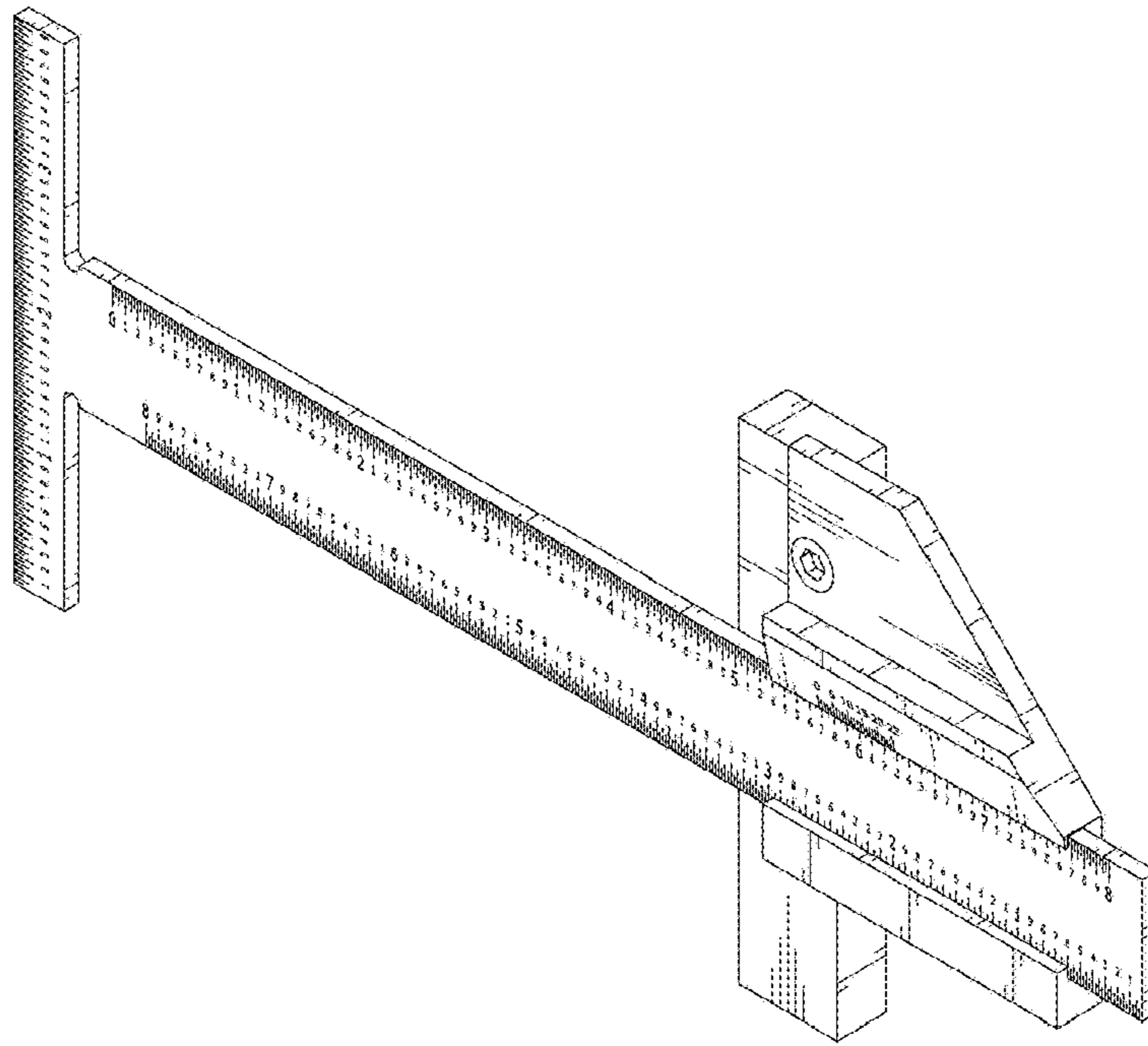


FIG. 1

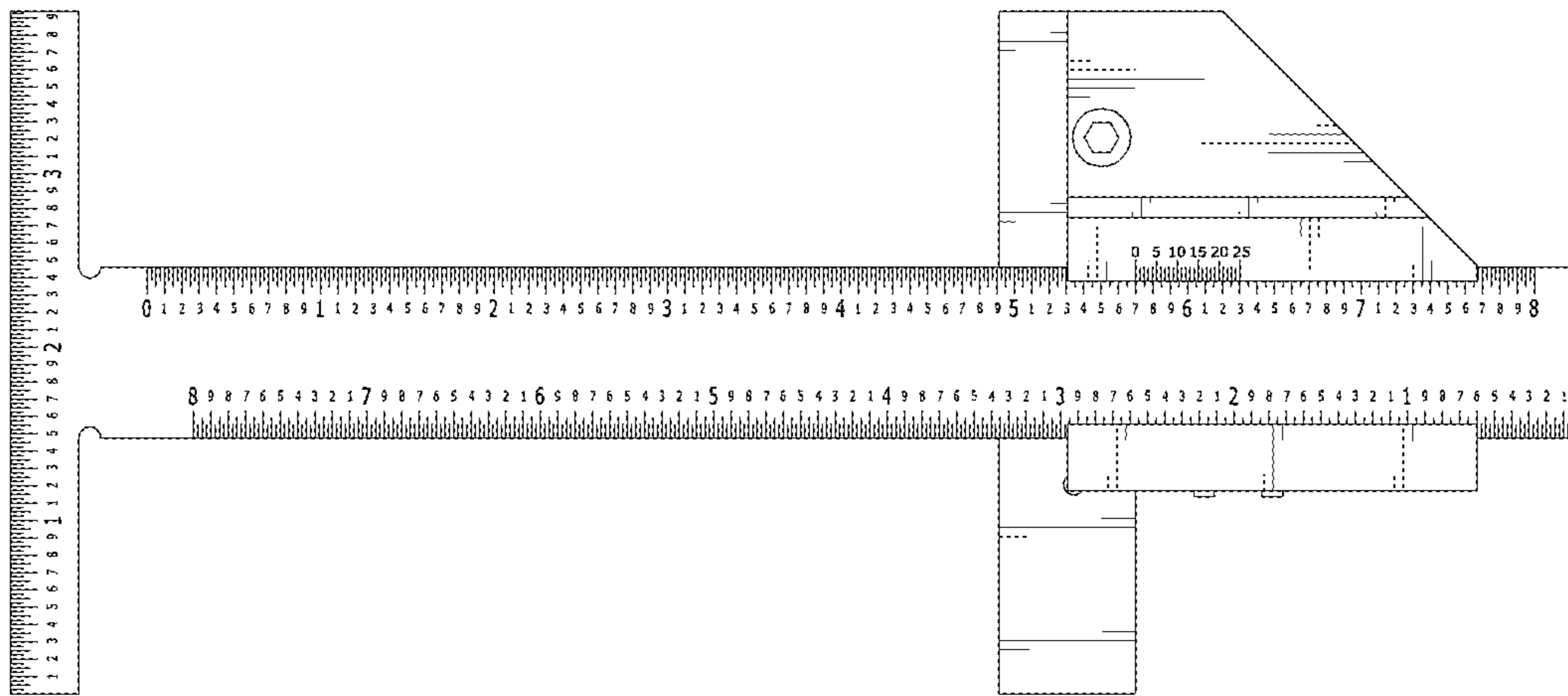


FIG. 2

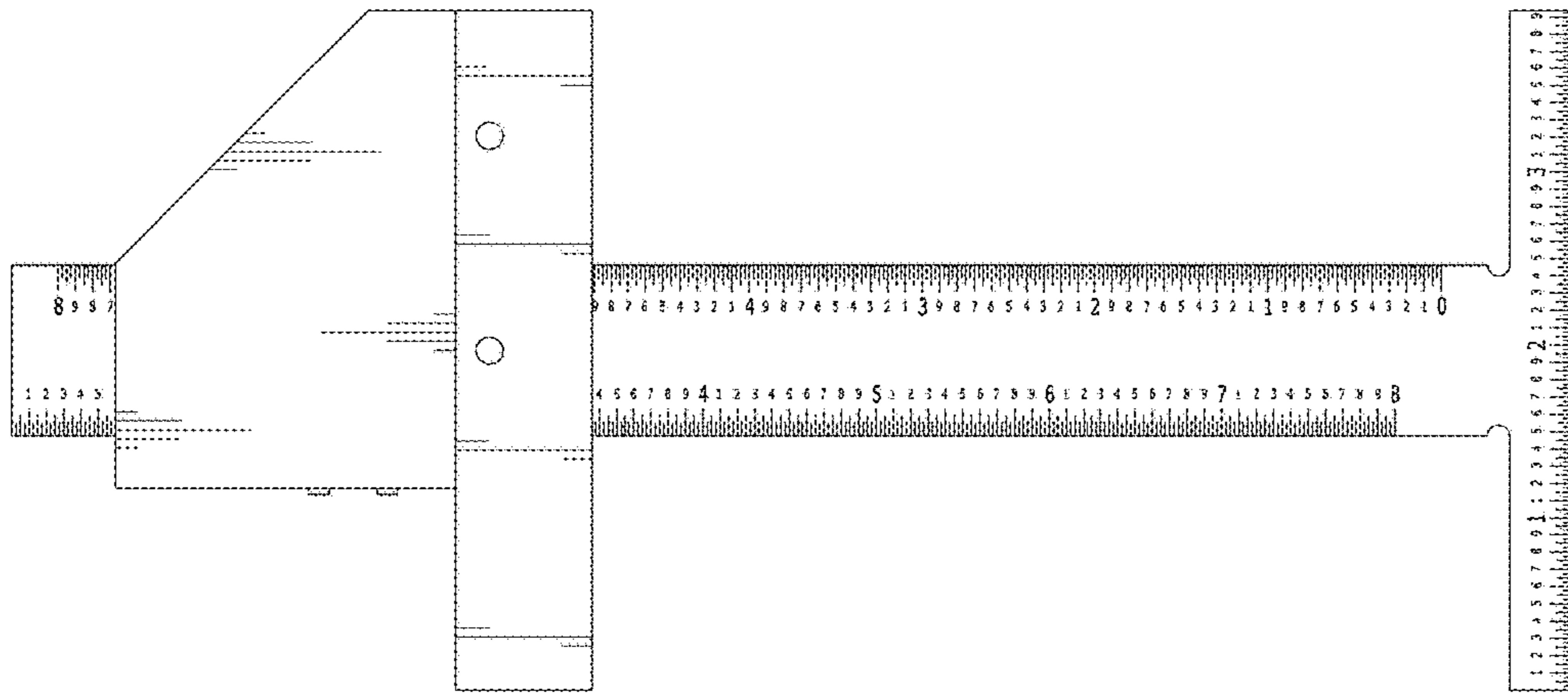


FIG. 3

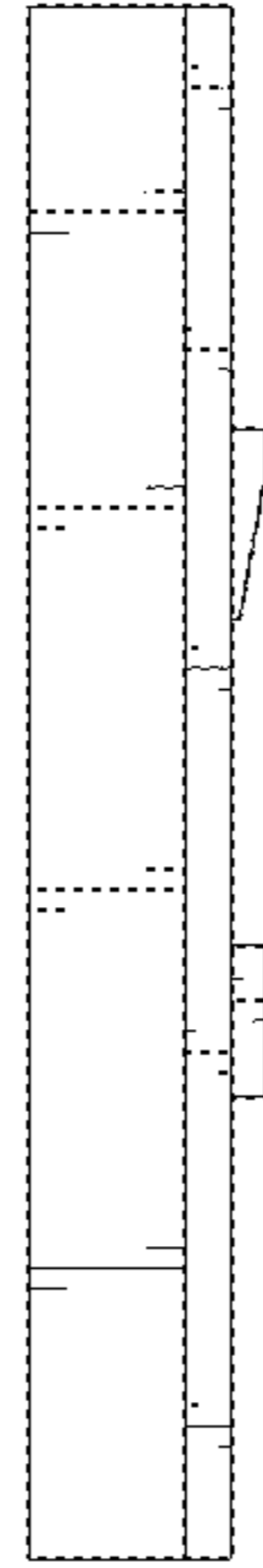


FIG. 4

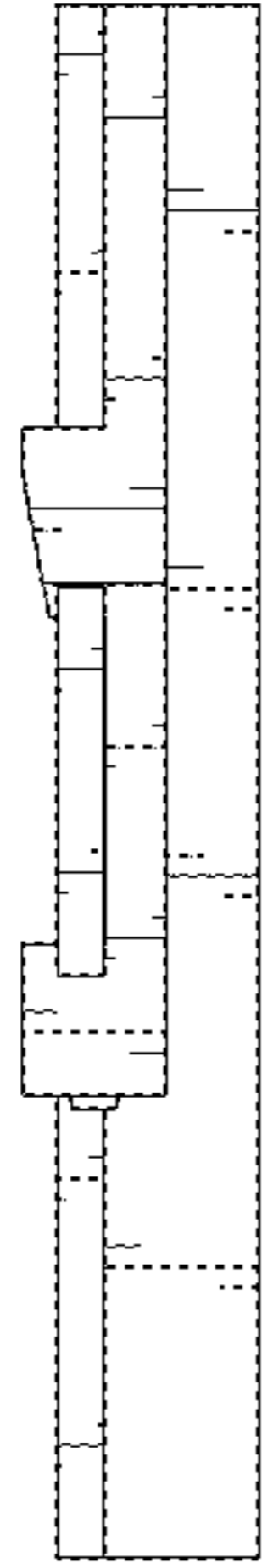


FIG. 5

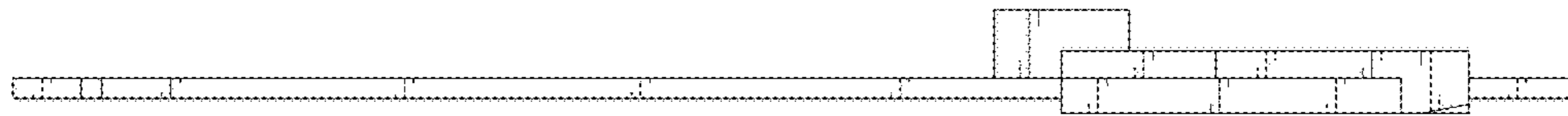


FIG. 6

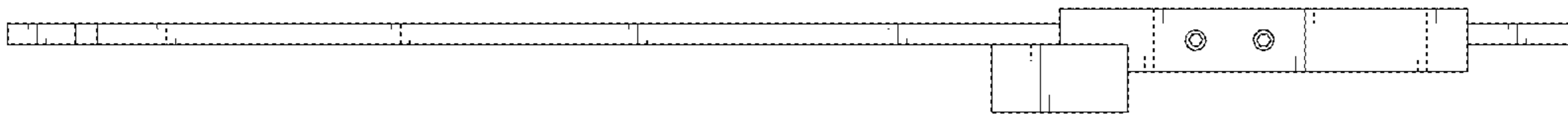


FIG. 7



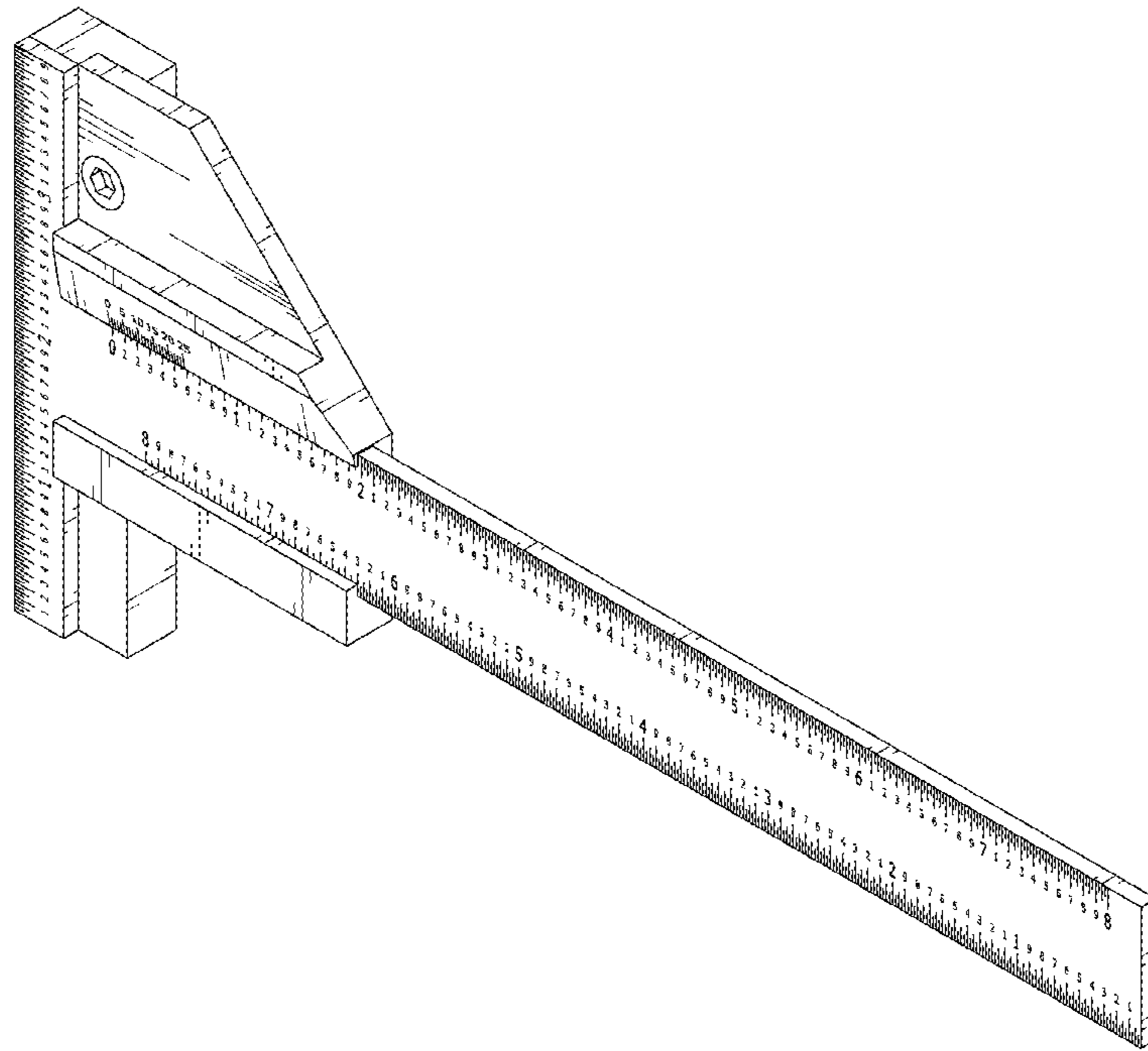


FIG. 8